

US00D546382S

(12) **United States Design Patent**  
**Noh et al.**

(10) **Patent No.:** **US D546,382 S**

(45) **Date of Patent:** **\*\* Jul. 10, 2007**

(54) **TONER CARTRIDGE FOR PRINTER**

(75) Inventors: **Joo-Hwan Noh**, Seoul (KR); **Jin-Hong Kim**, Seoul (KR)

(73) Assignee: **Samsung Electronics Co., Ltd.**,  
Kyunggi-do (KR)

(\*\*) Term: **14 Years**

(21) Appl. No.: **29/231,239**

(22) Filed: **Jun. 2, 2005**

(51) **LOC (8) Cl.** ..... **16-03**

(52) **U.S. Cl.** ..... **D18/43**

(58) **Field of Classification Search** ..... D18/12,  
D18/36, 40, 43, 44, 56; D14/462, 469-471;  
222/DIG. 1; 347/197, 222; 399/24-28,  
399/107-112, 119, 121, 122, 222-224; 400/207;  
D8/300, 303, 306, 312, 321, 322  
See application file for complete search history.

(56) **References Cited**

**U.S. PATENT DOCUMENTS**

4,963,928	A *	10/1990	Yoshiura	.....	399/111
D378,830	S	4/1997	Kim		
5,708,922	A *	1/1998	Azuma et al.	.....	399/111
D418,862	S *	1/2000	Ogawa et al.	.....	D18/43
D422,626	S *	4/2000	Kurosawa et al.	.....	D18/43
6,070,029	A *	5/2000	Nishiuwatoko et al.	.....	399/111
6,226,477	B1 *	5/2001	Kurosawa et al.	.....	399/111
6,345,164	B1 *	2/2002	Yokomori et al.	.....	399/119
6,493,527	B1 *	12/2002	Higeta et al.	.....	399/111

D475,082	S *	5/2003	Kubota et al.	.....	D18/40
D479,263	S *	9/2003	Batori et al.	.....	D18/40
D489,753	S *	5/2004	Batori et al.	.....	D18/40
D501,021	S *	1/2005	Saiki et al.	.....	D18/40
2004/0223782	A1 *	11/2004	Hosokawa et al.	.....	399/111

\* cited by examiner

*Primary Examiner*—Robert M. Spear

*Assistant Examiner*—Garth Rademaker

(74) *Attorney, Agent, or Firm*—Flynn, Thiel, Boutell & Tanis, P.C.

(57) **CLAIM**

The ornamental design for a toner cartridge for printer, as shown and described.

**DESCRIPTION**

FIG. 1 is a top front perspective view of a toner cartridge for printer showing our new design.

FIG. 2 is a front elevational view thereof.

FIG. 3 is a rear elevational view thereof.

FIG. 4 is a left side elevational view thereof.

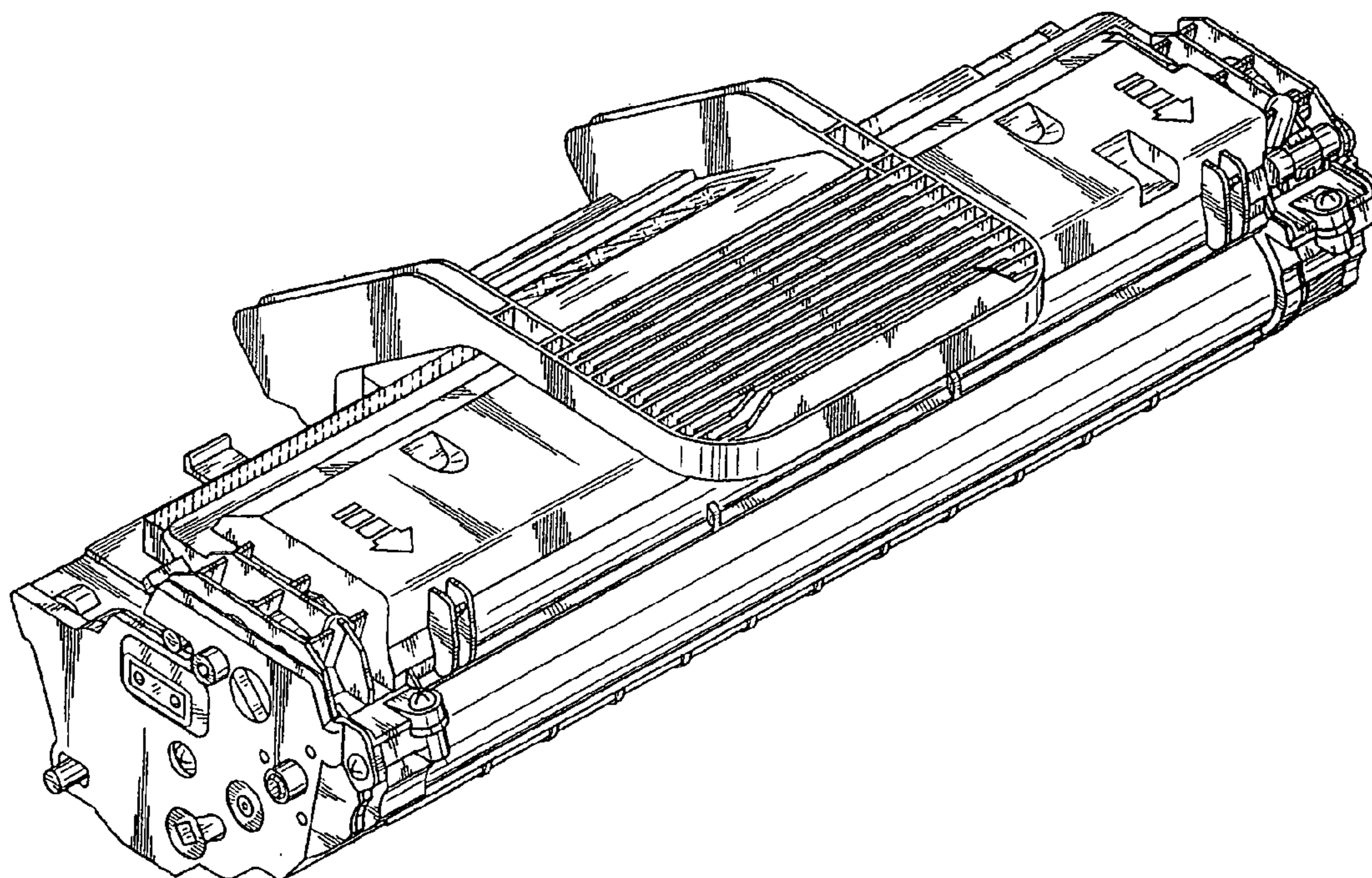
FIG. 5 is a right side elevational view thereof.

FIG. 6 is a top plan view thereof; and,

FIG. 7 is a top, front perspective view thereof, shown in an alternate position of use.

The areas shown in broken line are for illustrative purposes only and form no part of the invention.

**1 Claim, 5 Drawing Sheets**



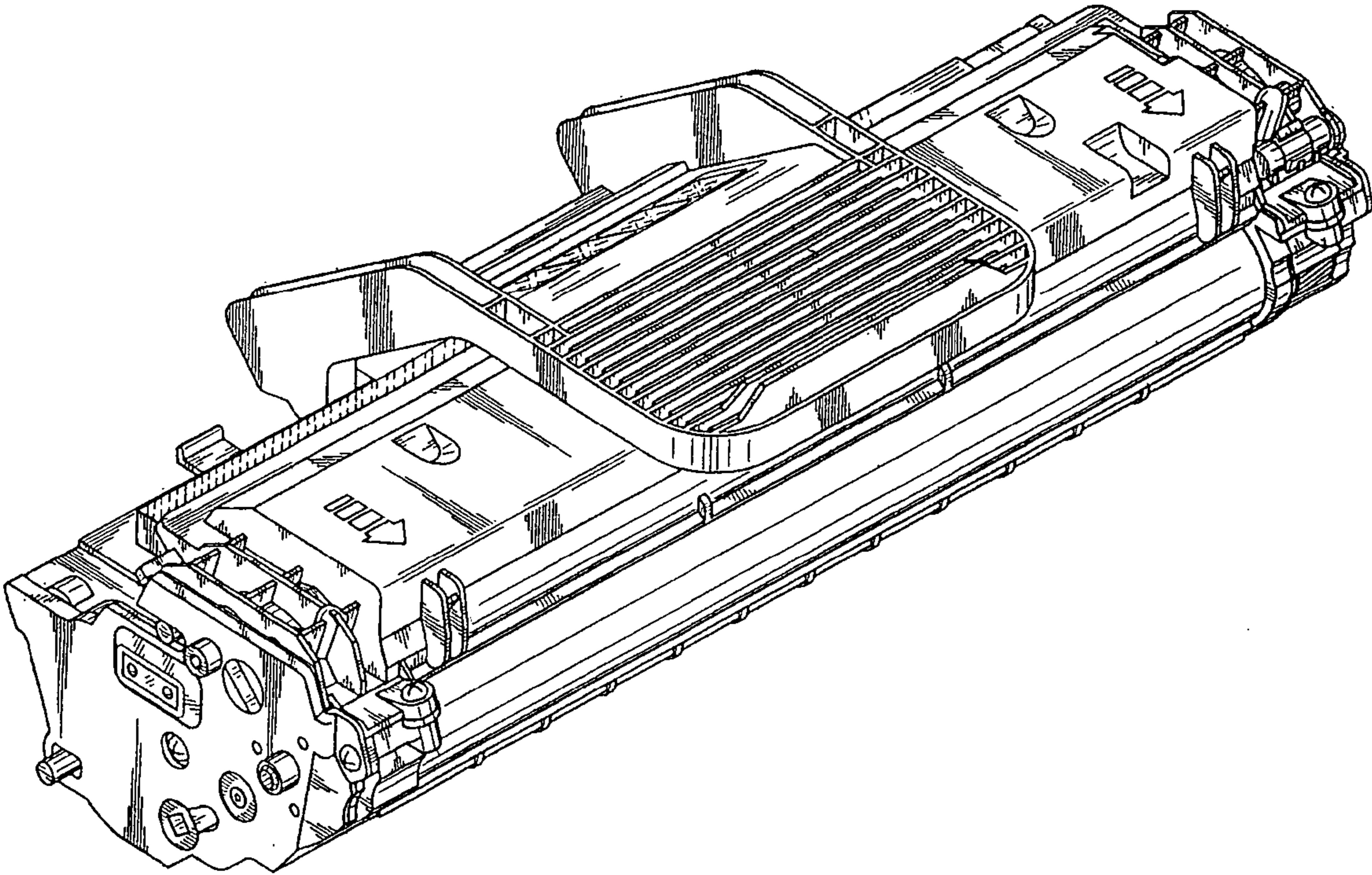


FIG. 1

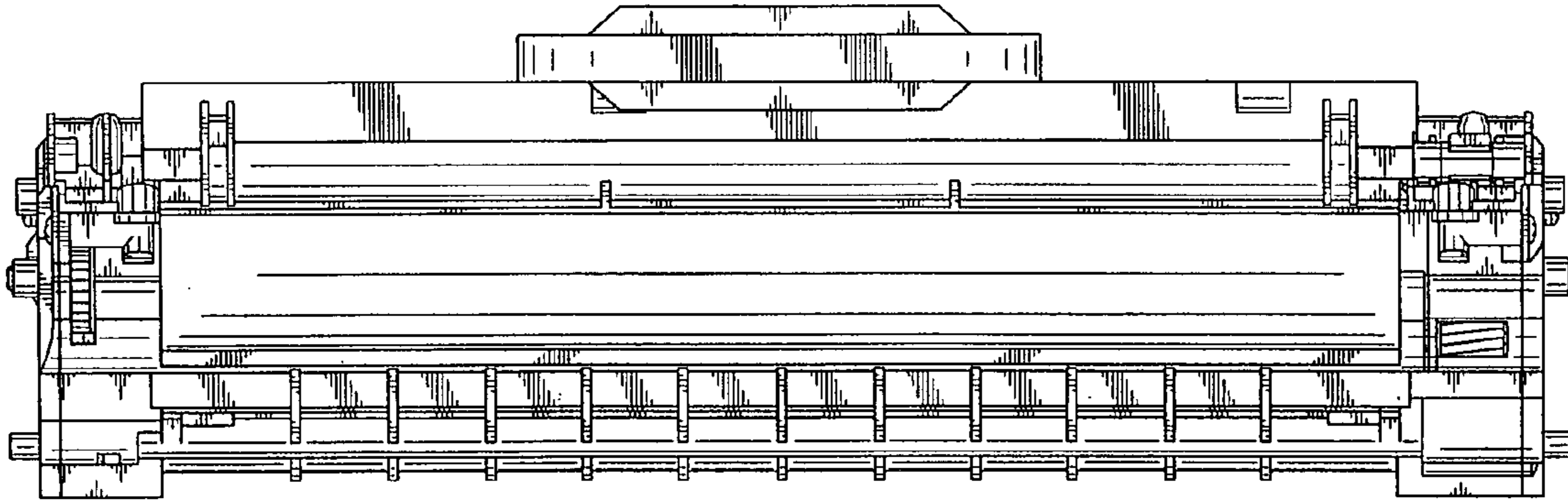


FIG. 2

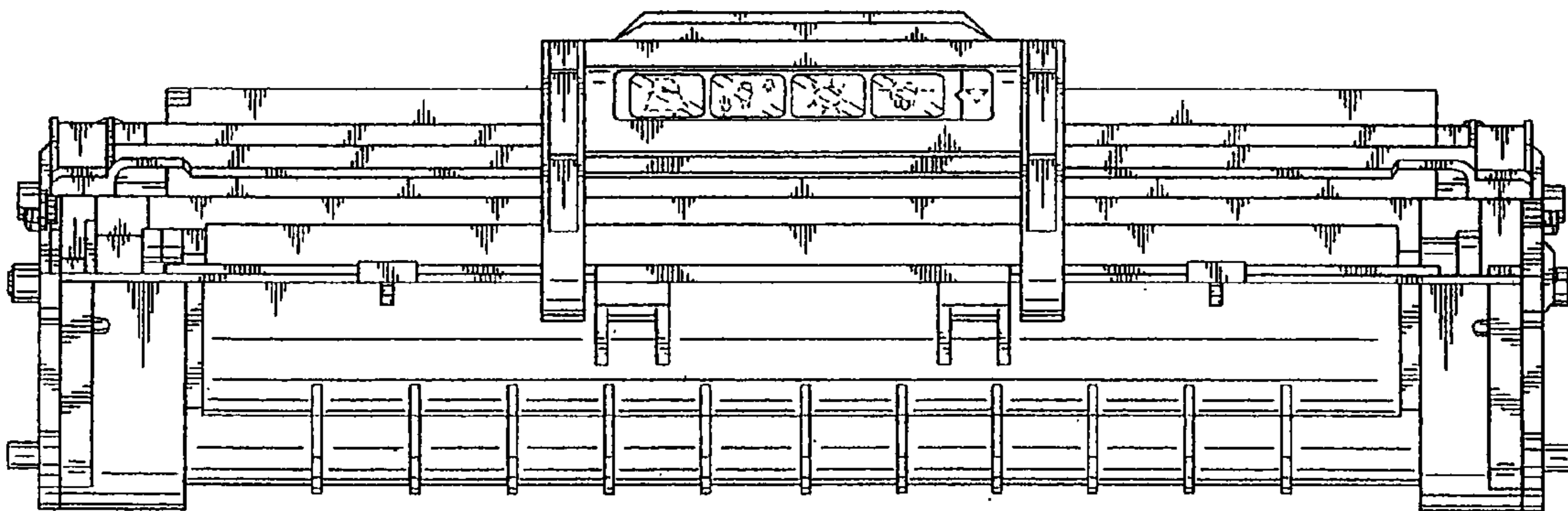


FIG. 3

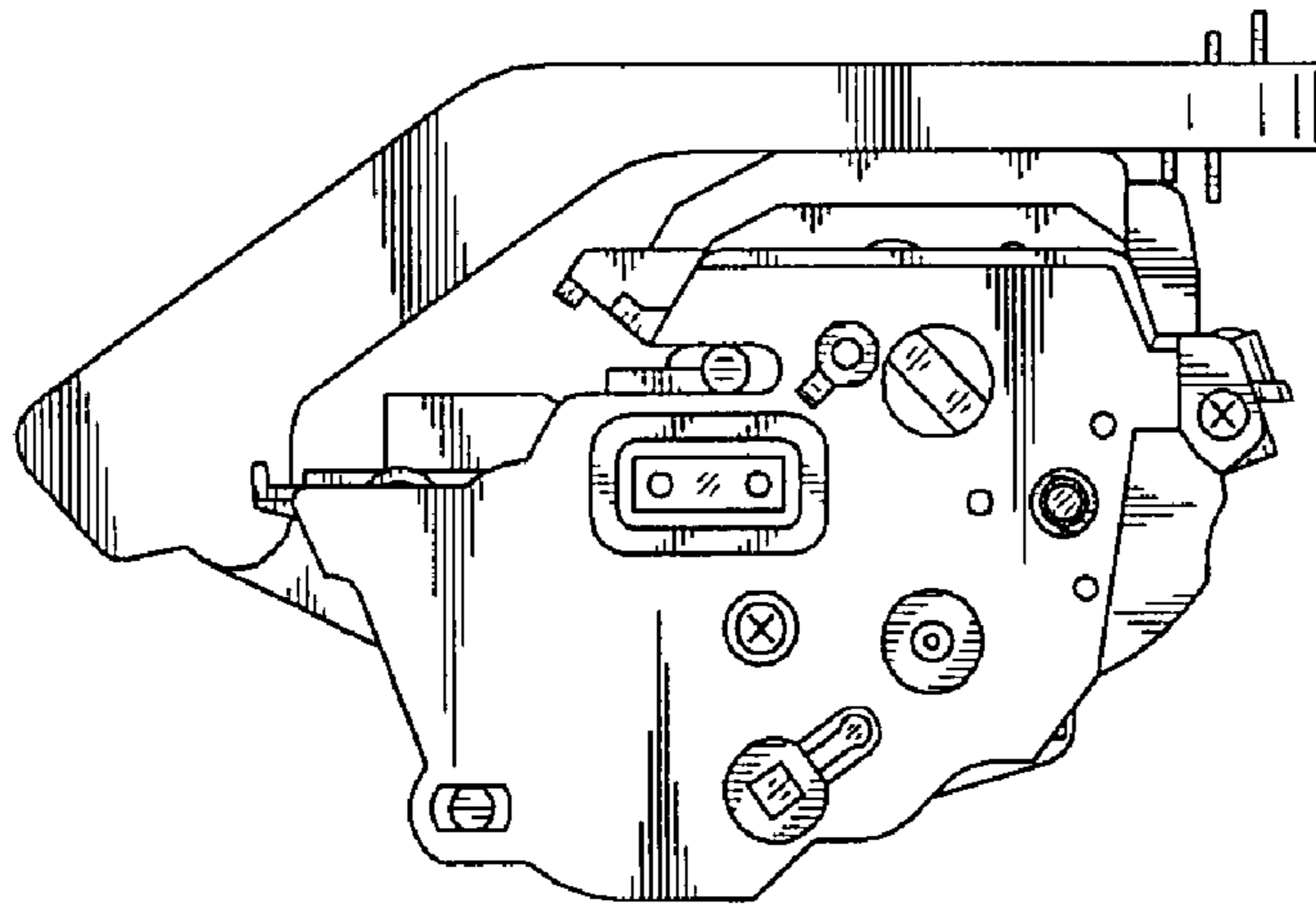


FIG. 4

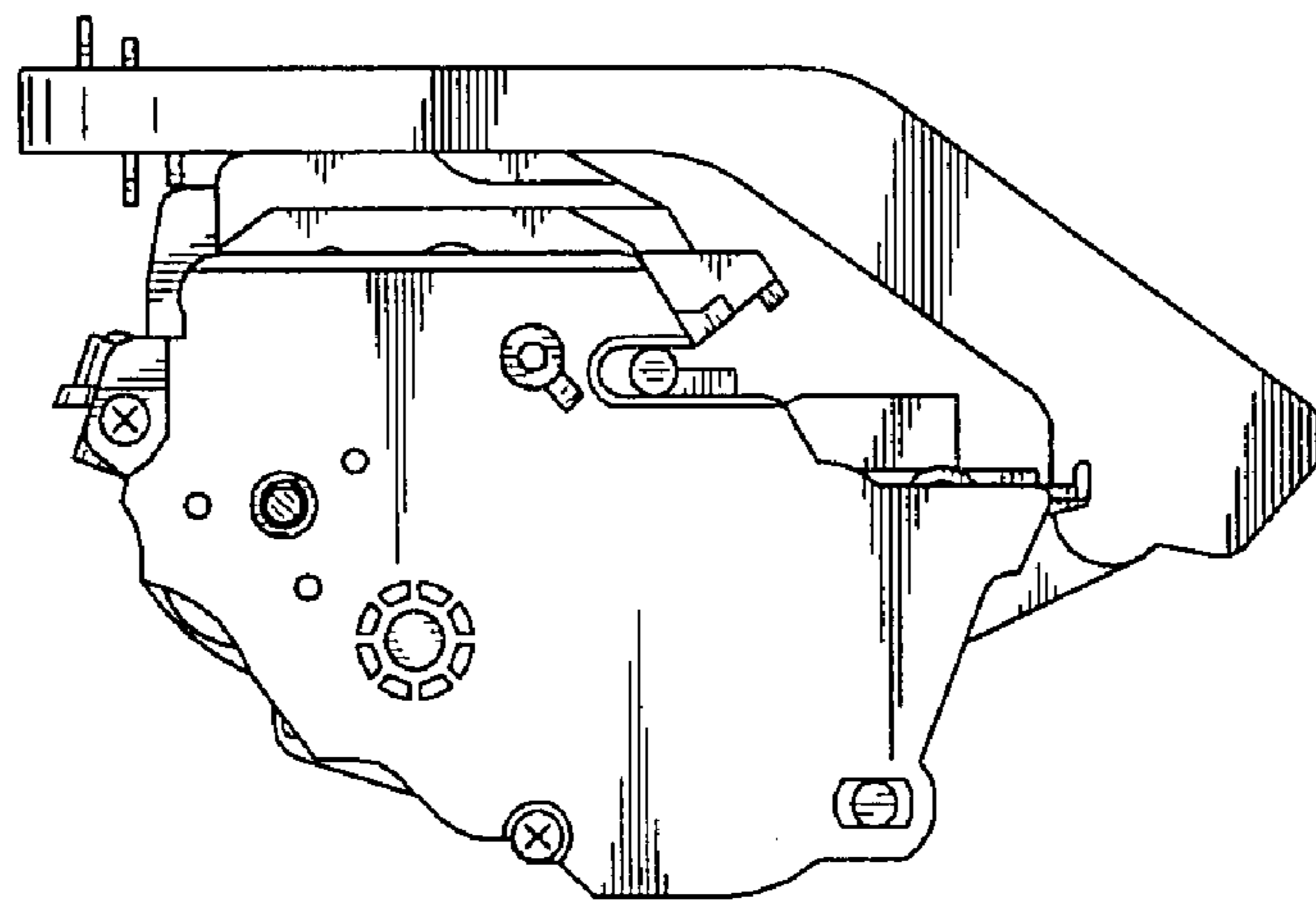


FIG. 5

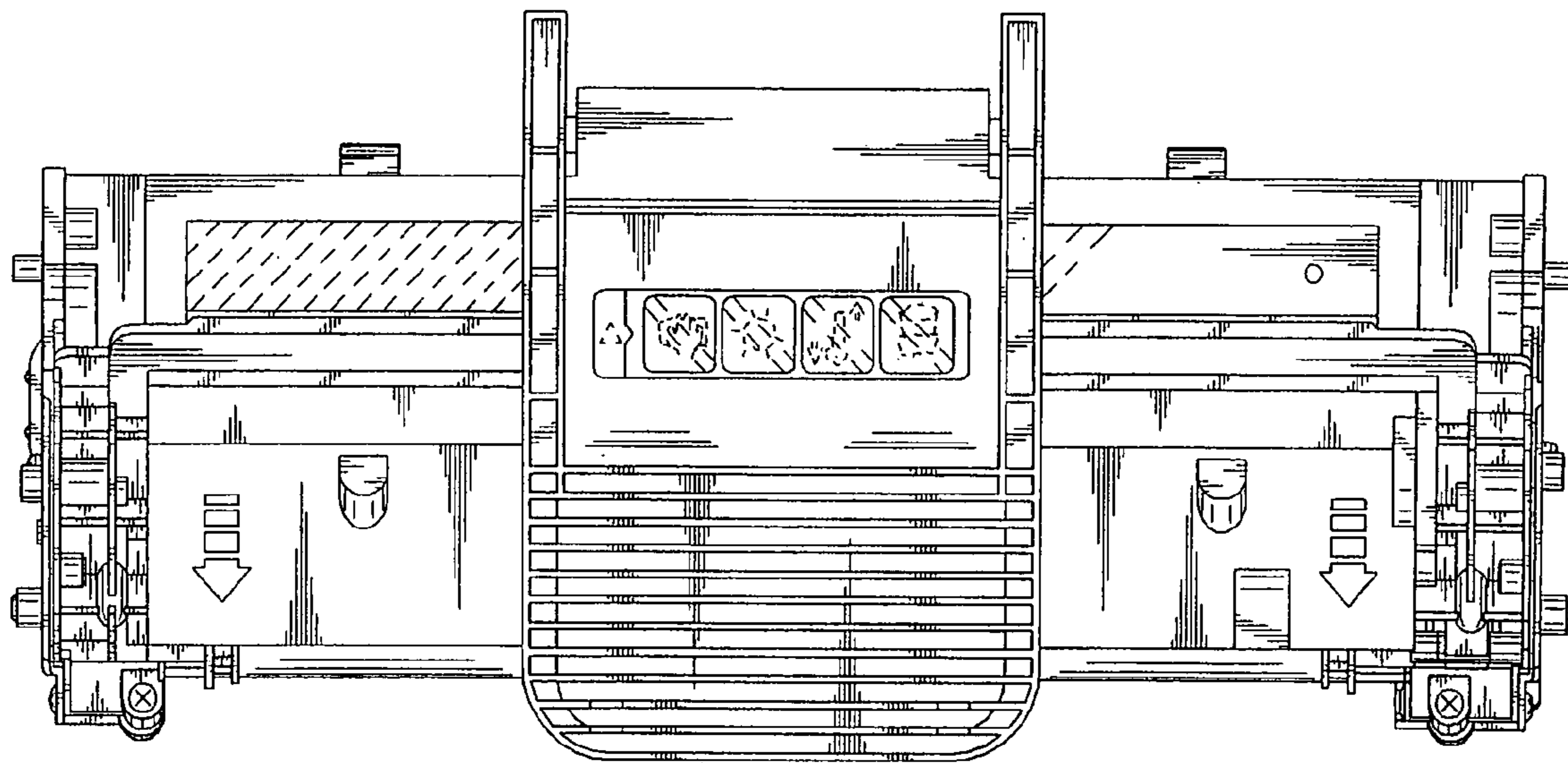


FIG.6

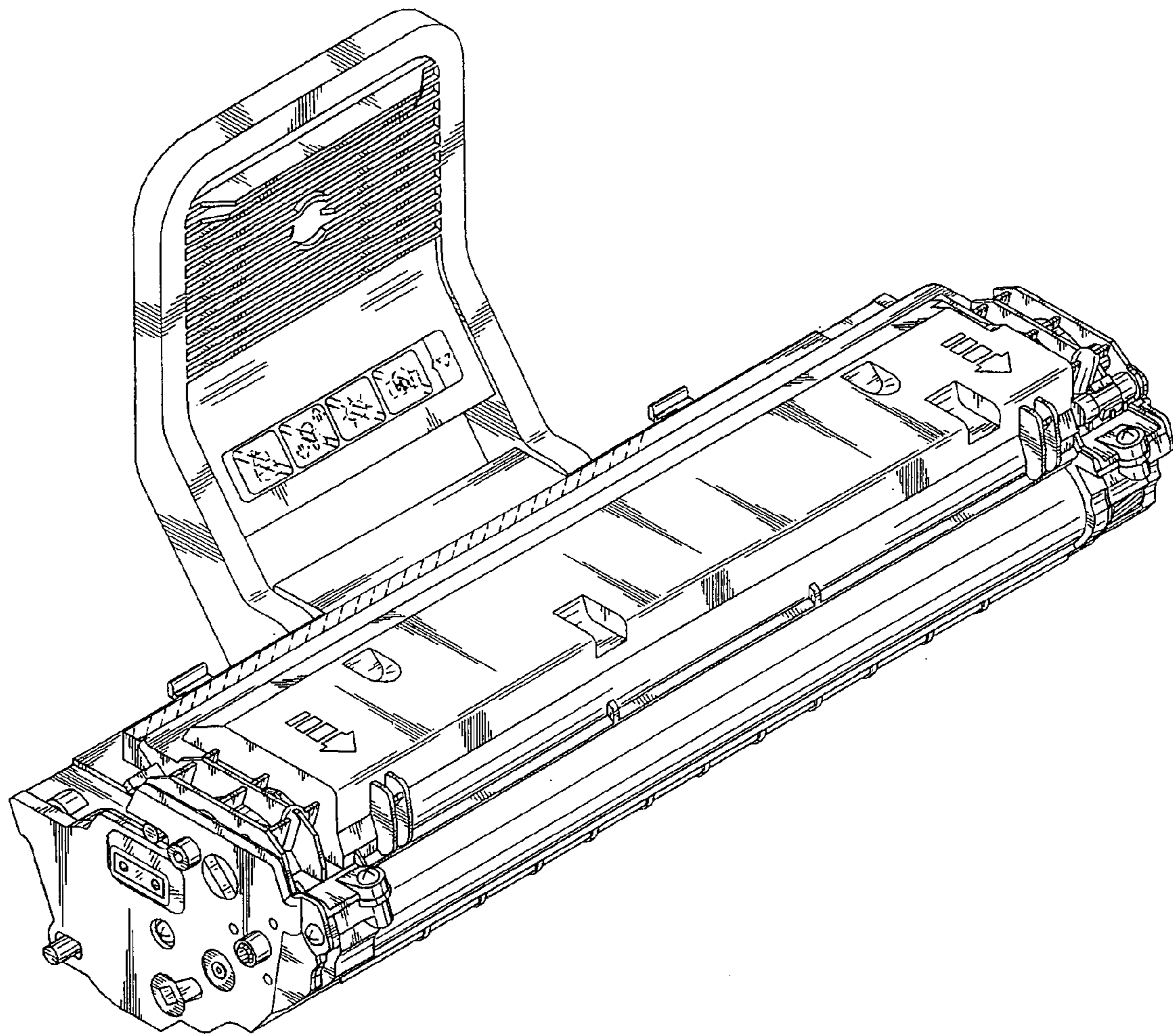


FIG. 7