

US00D546381S

(12) **United States Design Patent**
Uemura et al.

(10) **Patent No.:** **US D546,381 S**
(45) **Date of Patent:** **** Jul. 10, 2007**

(54) **TONER CONTAINER**

(75) Inventors: **Kenichi Uemura**, Toyohashi (JP);
Takako Hayashi, Toyokawa (JP);
Hiroshi Ibaraki, Okazaki (JP)

(73) Assignee: **Konica Minolta Business Technologies, Inc.**, Chiyoda-Ku, Tokyo (JP)

(**) Term: **14 Years**

(21) Appl. No.: **29/222,731**

(22) Filed: **Feb. 4, 2005**

(30) **Foreign Application Priority Data**

Aug. 5, 2004 (JP) 2004-023556

(51) **LOC (8) Cl.** **16-03**

(52) **U.S. Cl.** **D18/43**

(58) **Field of Classification Search** D18/12,
D18/36, 40, 43, 44, 56; D14/462, 469-471;
222/DIG. 1; 347/197, 222; 399/24-28,
399/107-112, 119, 121, 122, 222-224; 400/207;
D8/300, 303, 306, 312, 321, 322
See application file for complete search history.

(56) **References Cited**

U.S. PATENT DOCUMENTS

- 6,097,906 A * 8/2000 Matsuzaki et al. 399/111
- 6,226,477 B1 * 5/2001 Kurosawa et al. 399/111
- D477,631 S * 7/2003 Mori et al. D18/40
- 6,647,226 B2 * 11/2003 Katakabe et al. 399/108
- D490,844 S * 6/2004 Okino et al. D18/43
- D500,075 S * 12/2004 Okamoto et al. D18/43
- D501,023 S * 1/2005 Tanaka D18/43
- 6,947,687 B2 * 9/2005 Yamaguchi et al. 399/111
- 2001/0055494 A1 * 12/2001 Katakabe et al. 399/27
- 2002/0150404 A1 * 10/2002 Matsuzaka et al. 399/111

- 2003/0086723 A1 * 5/2003 Yamaguchi et al. 399/119
- 2003/0223775 A1 * 12/2003 Yoshino et al. 399/119
- 2006/0045569 A1 * 3/2006 Okamoto 399/119

OTHER PUBLICATIONS

EPSON Brochure.
Photos of EPSON product (2002).

* cited by examiner

Primary Examiner—Robert M. Spear
Assistant Examiner—Garth Rademaker

(74) *Attorney, Agent, or Firm*—Buchanan Ingersoll & Rooney PC

(57) **CLAIM**

The ornamental design for a toner container, as shown and described.

DESCRIPTION

FIG. 1 is a front perspective view of a toner container showing our new design;

FIG. 2 is a rear perspective view thereof;

FIG. 3 is a front elevational view thereof;

FIG. 4 is a rear elevational view thereof;

FIG. 5 is a top plan view thereof;

FIG. 6 is a bottom plan view thereof;

FIG. 7 is a right side elevational view thereof;

FIG. 8 is a left side elevational view thereof;

FIG. 9 is a front perspective view thereof, shown in an alternate position of use;

FIG. 10 is a rear perspective view thereof, shown in the same alternate position of use; and,

FIG. 11 is a front elevational view thereof, shown in the same alternate position of use.

1 Claim, 10 Drawing Sheets

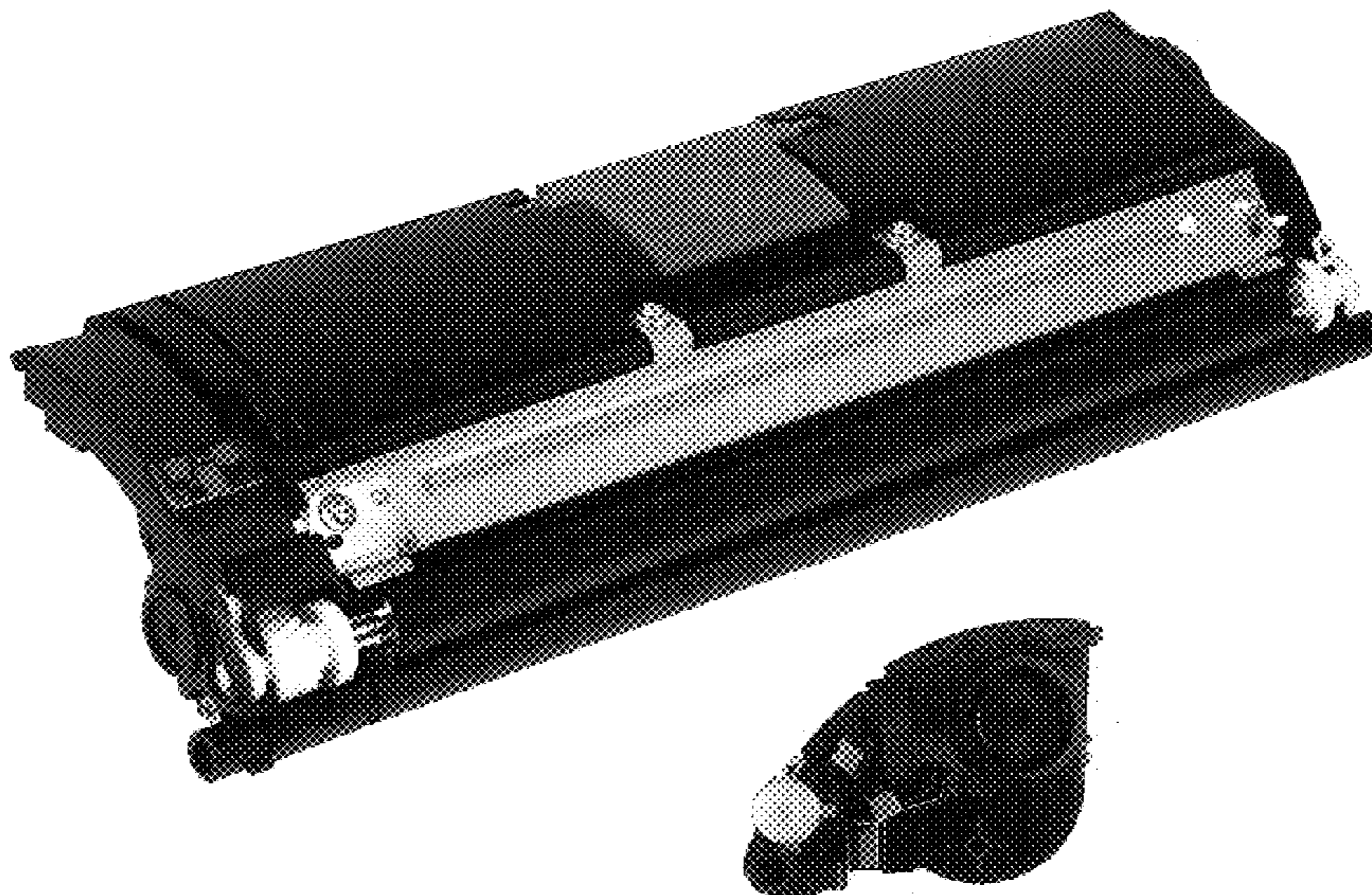


Fig.1

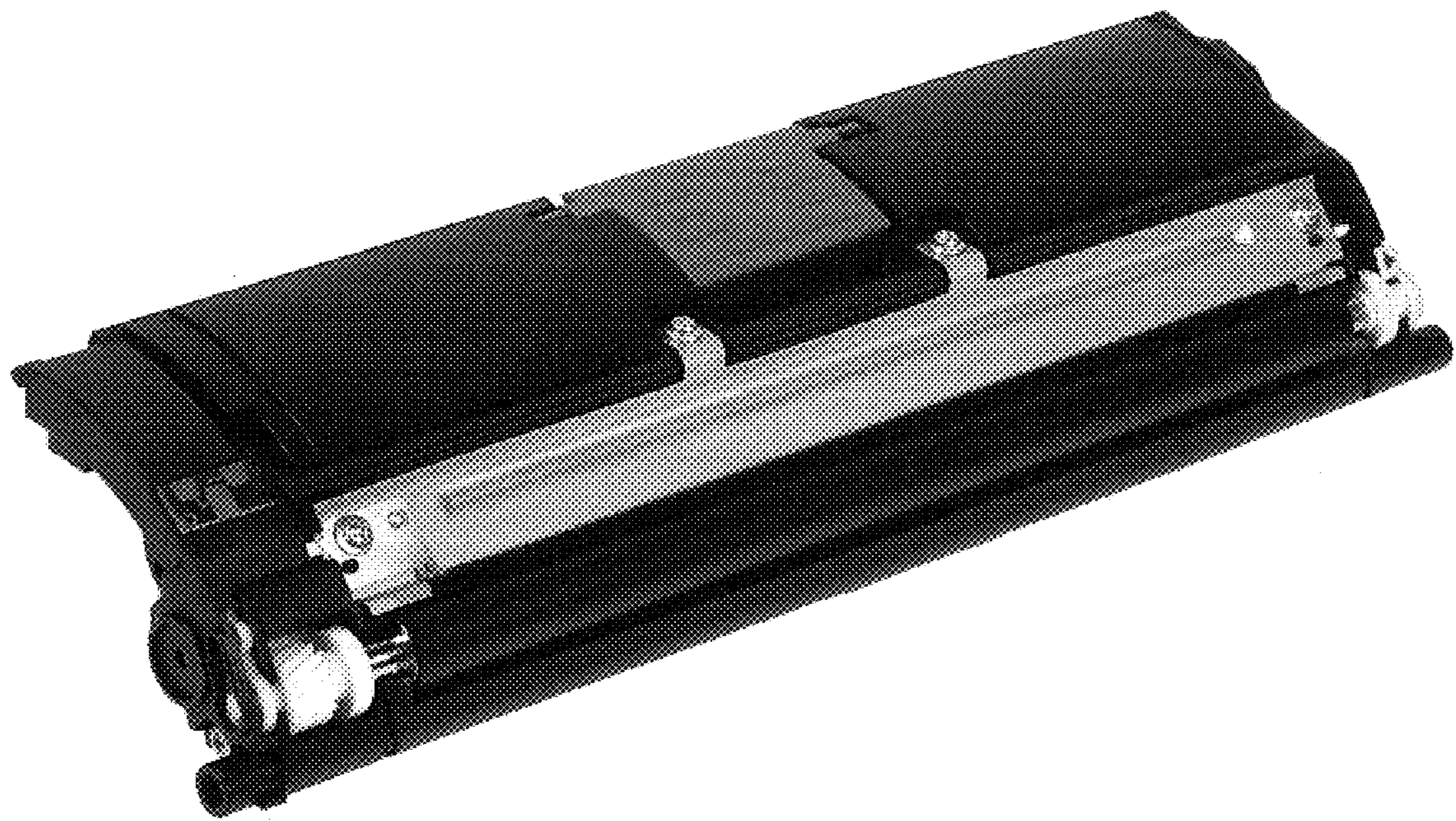


Fig.2

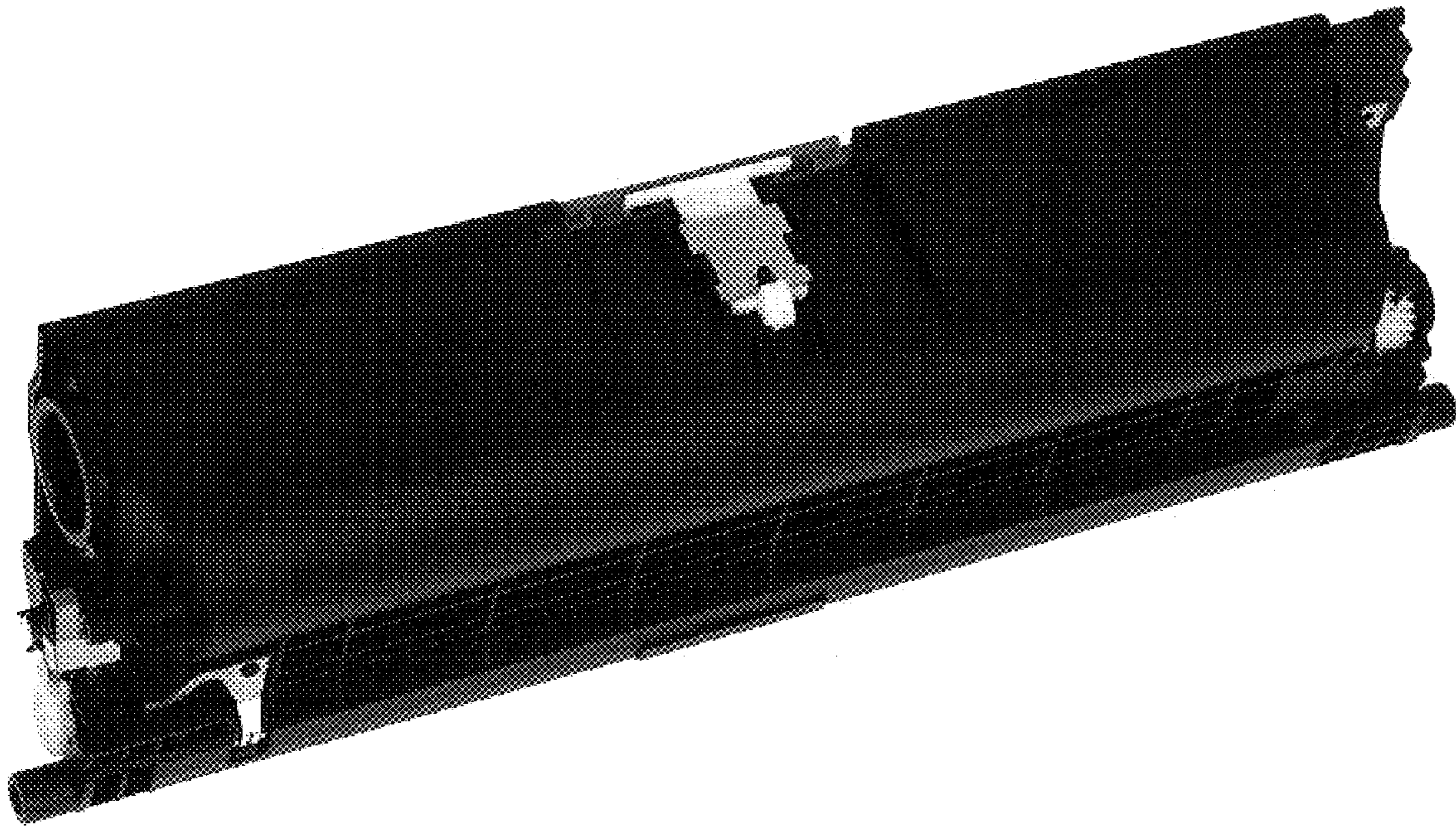


Fig.3

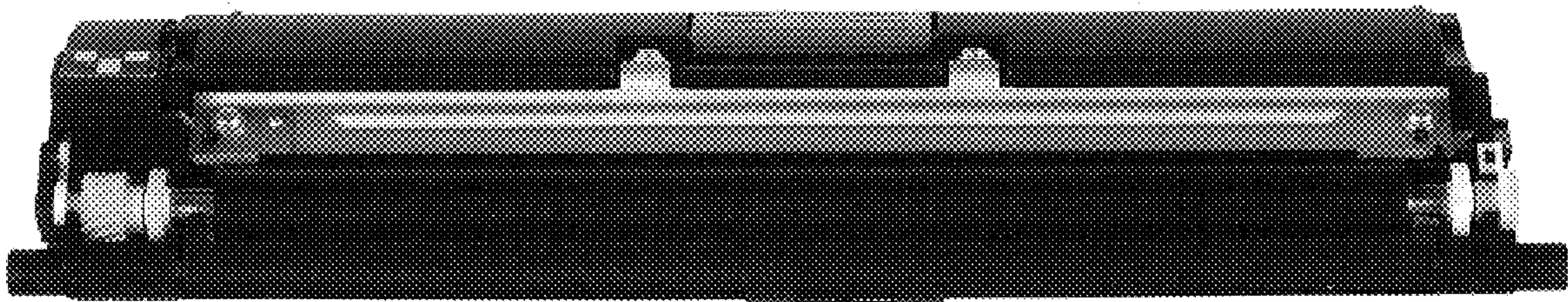


Fig.4

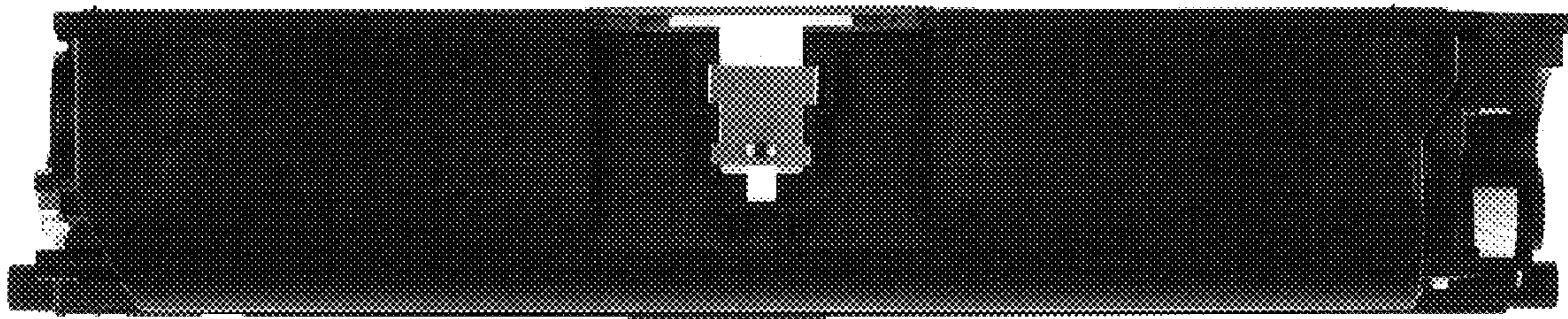


Fig.5

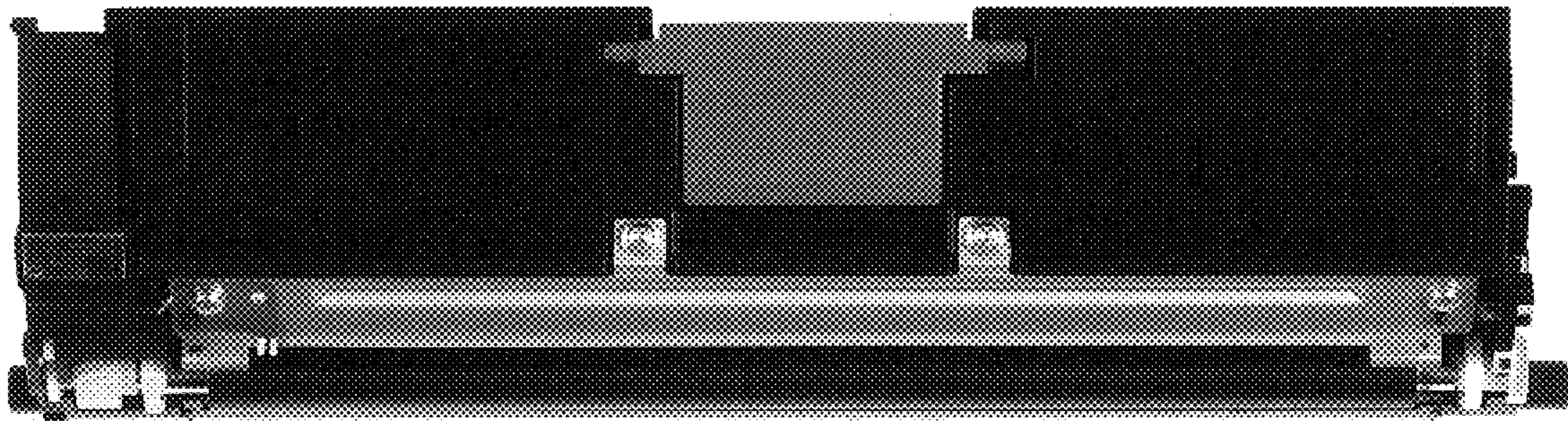


Fig.6

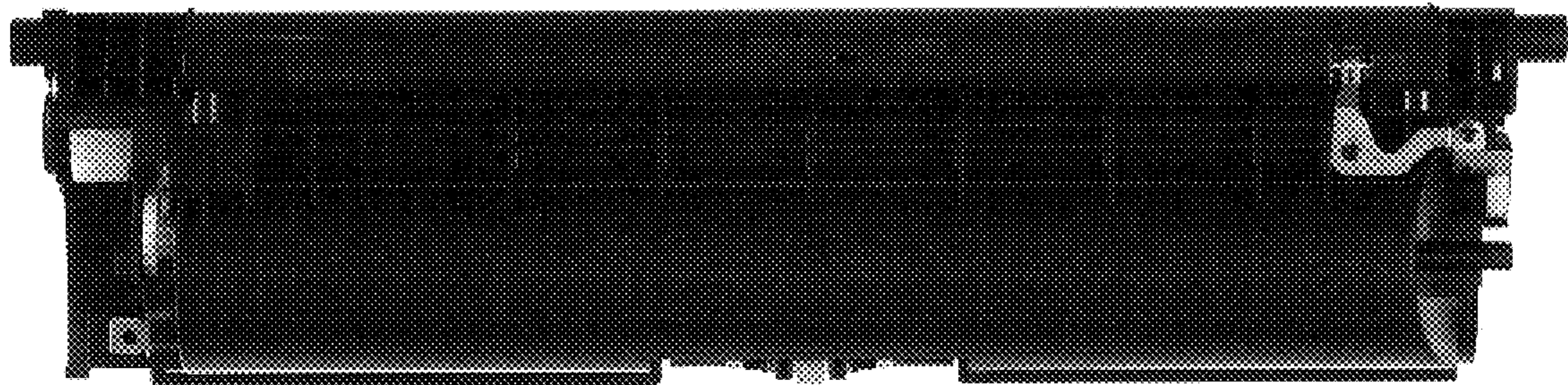


Fig.7

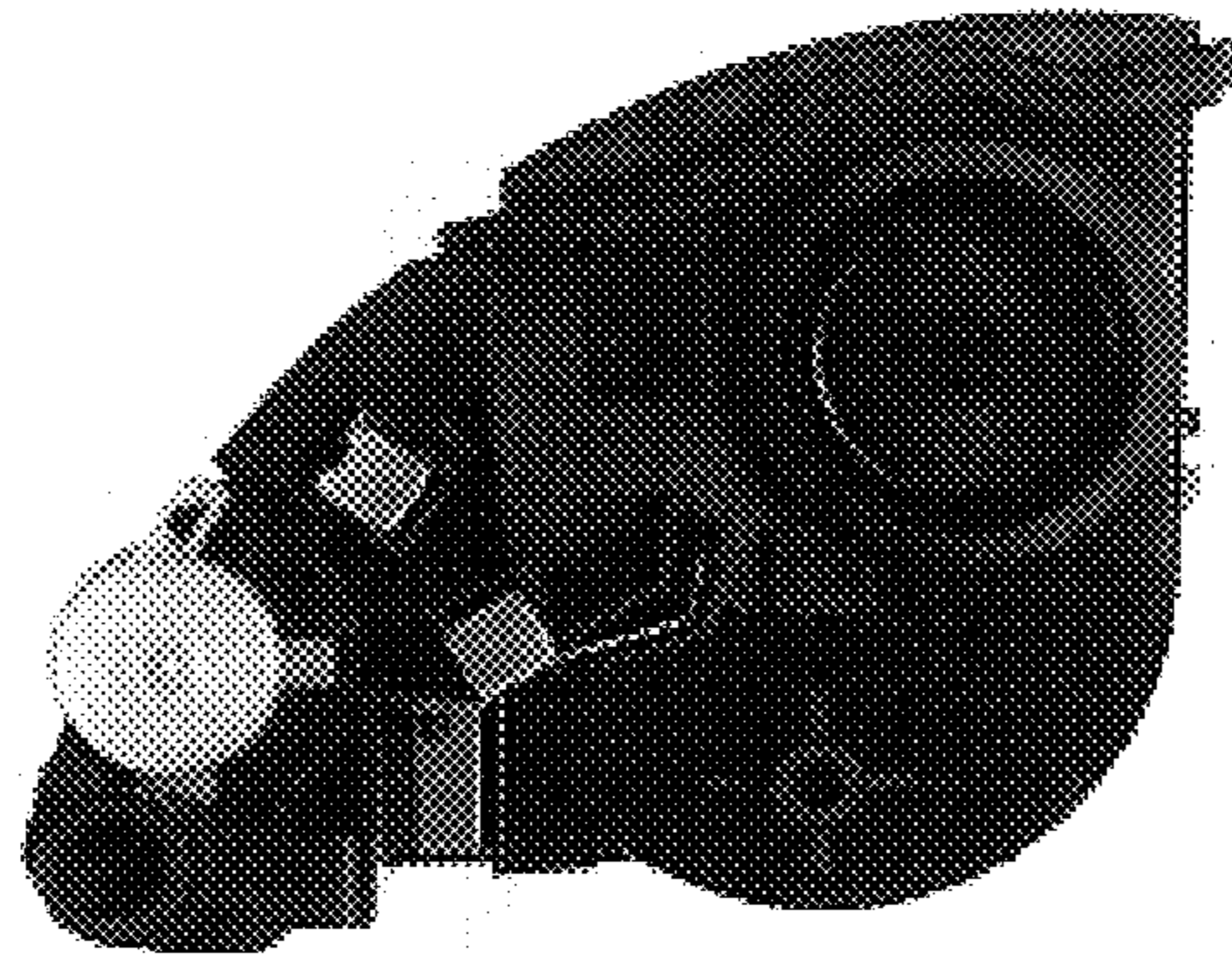


Fig.8

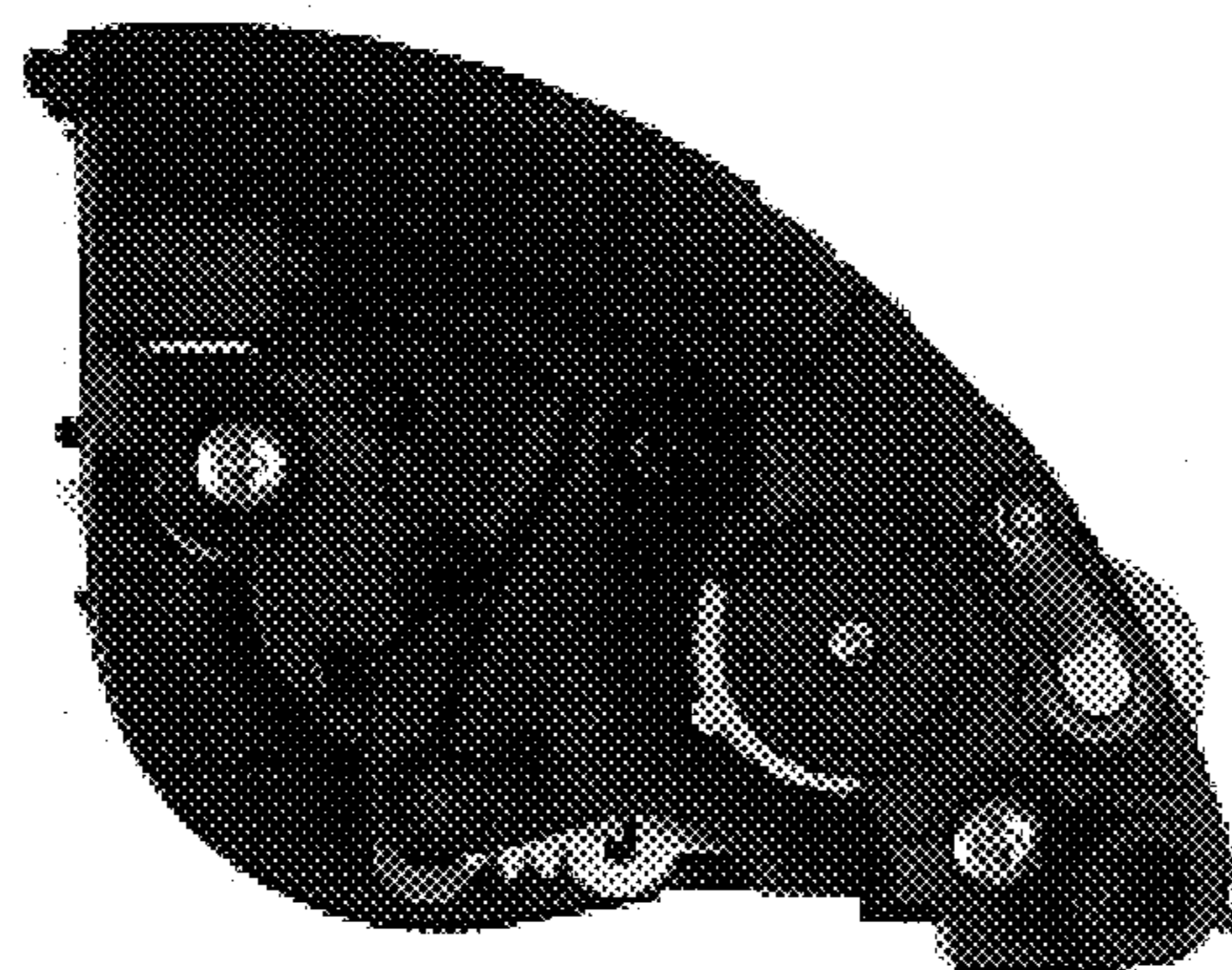


Fig.9

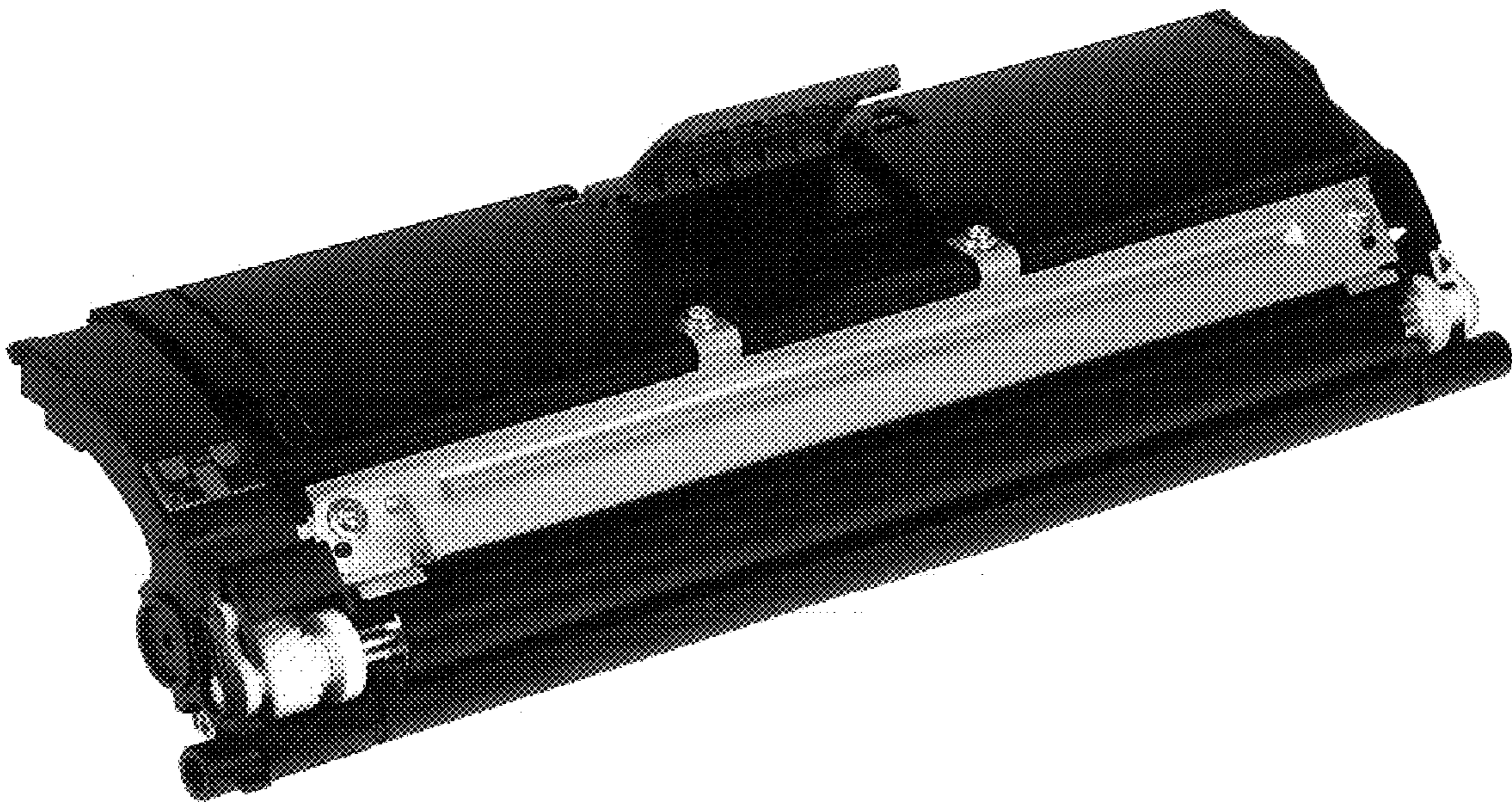


Fig.10

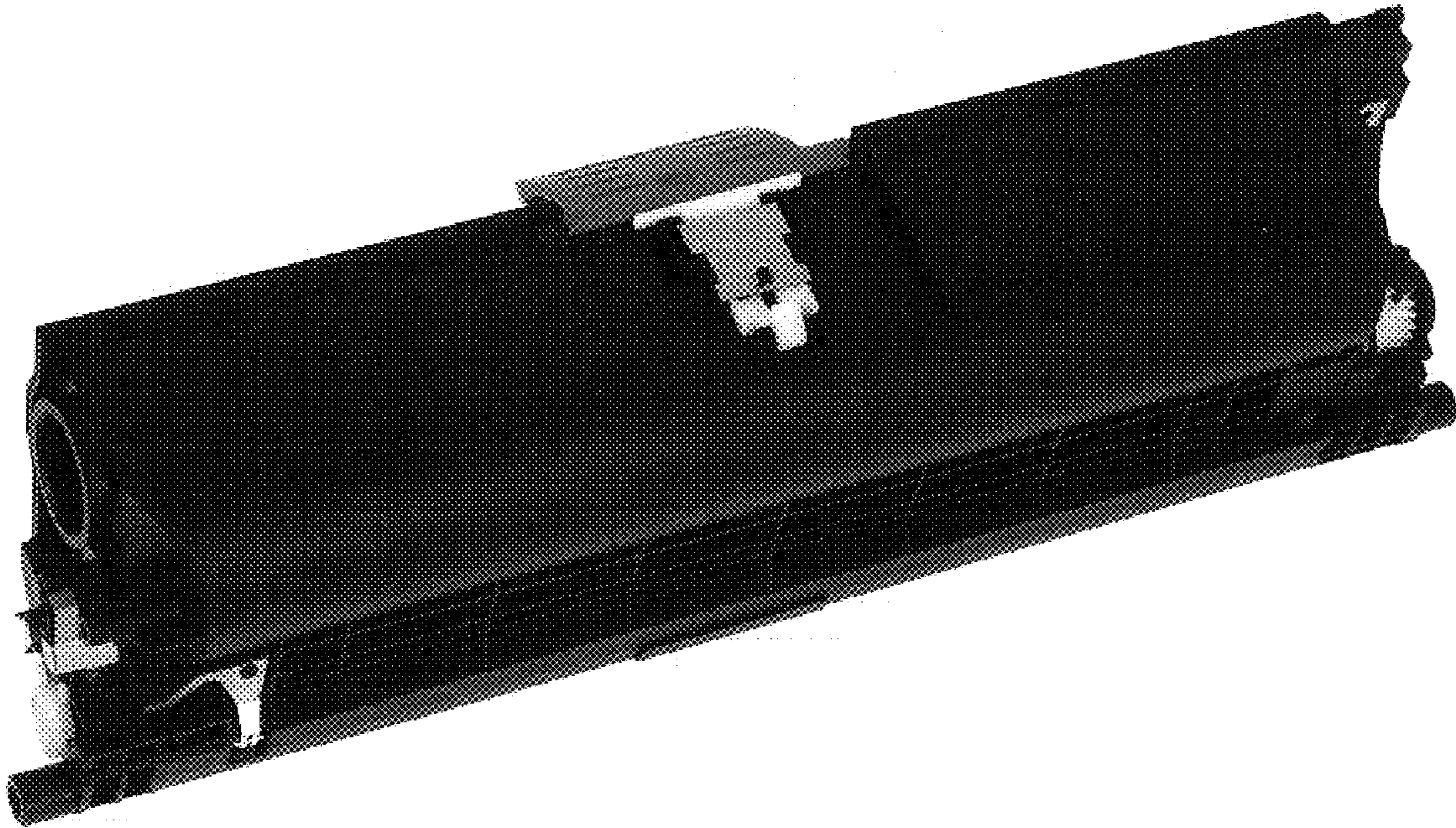


Fig.11

