

US00D546375S

(12) **United States Design Patent**
Saito

(10) **Patent No.:** **US D546,375 S**

(45) **Date of Patent:** **** Jul. 10, 2007**

(54) **ELECTRONIC PIANO**

D526,676 S * 8/2006 Utsunomiya et al. D17/1
D532,815 S * 11/2006 Utsunomiya et al. D17/1

(75) Inventor: **Daisuke Saito**, Hamamatsu (JP)

(73) Assignee: **Yamaha Corporation**, Hamamatsu-shi,
Shizuoka (JP)

(**) Term: **14 Years**

(21) Appl. No.: **29/234,120**

(22) Filed: **Jul. 14, 2005**

(30) **Foreign Application Priority Data**

Mar. 28, 2005 (JP) 2005-009016

(51) **LOC (8) Cl.** **17-01**

(52) **U.S. Cl.** **D17/9; D17/1**

(58) **Field of Classification Search** D17/1,
D17/2, 5-7, 9; D21/409; 84/174-177, 423 R,
84/428, 713, DIG. 7

See application file for complete search history.

(56) **References Cited**

U.S. PATENT DOCUMENTS

4,995,294 A * 2/1991 Kashio et al. 84/DIG. 7
D320,996 S * 10/1991 Koide D17/1
D340,469 S * 10/1993 Nakada D17/5
5,841,053 A * 11/1998 Johnson et al. 84/423 R
6,888,053 B2 * 5/2005 Ishihara et al. 84/177
D506,494 S * 6/2005 Nishizawa D17/1

OTHER PUBLICATIONS

U.S. Appl. No. 29/234,121, filed Jul. 14, 2005, Daisuke Saito.

* cited by examiner

Primary Examiner—Adir Aronovich

(74) *Attorney, Agent, or Firm*—Sughrue Mion, PLLC

(57) **CLAIM**

The ornamental design for an electronic piano, as shown and described.

DESCRIPTION

FIG. 1 is a perspective view of the top, front and left side of an electronic piano showing my new design;

FIG. 2 is a top plan view thereof;

FIG. 3 is a front elevational view thereof;

FIG. 4 is a right side elevational view thereof;

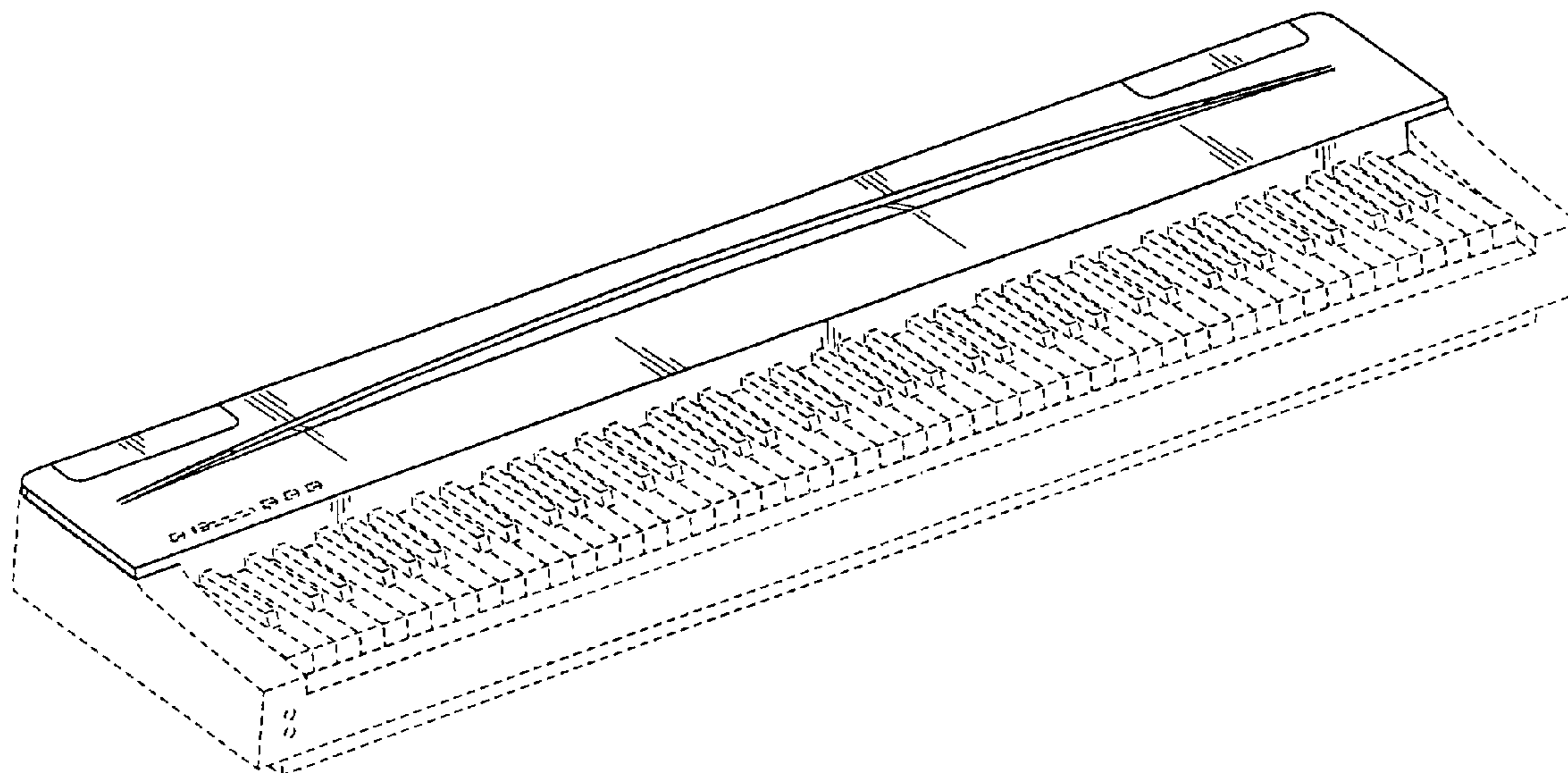
FIG. 5 is a left side elevational view thereof;

FIG. 6 is a rear elevational view thereof; and,

FIG. 7 is a bottom plan view thereof.

The portions shown in broken lines are for illustrative purposed only and form no part of the claimed design.

1 Claim, 4 Drawing Sheets



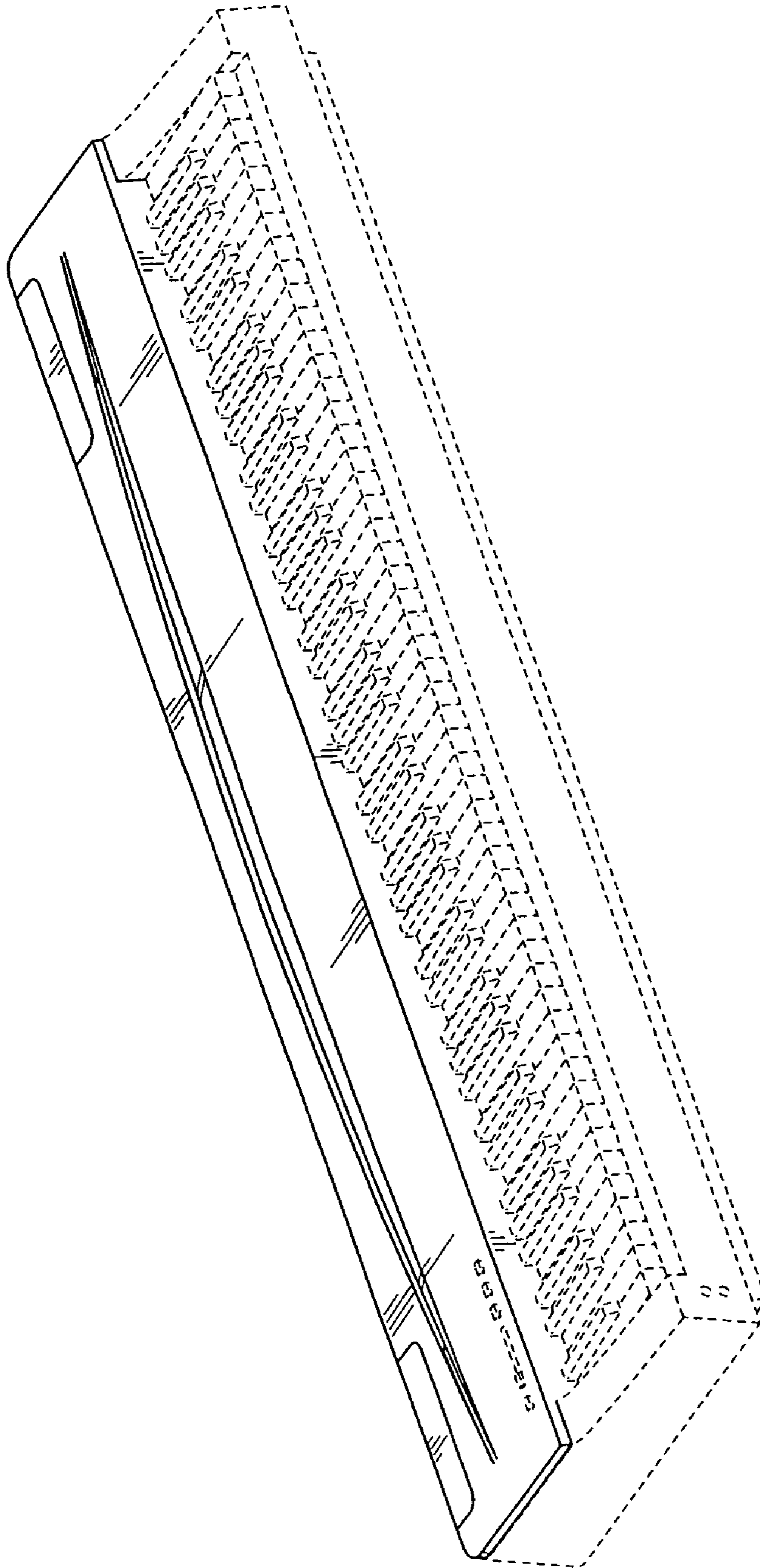


FIG. 1

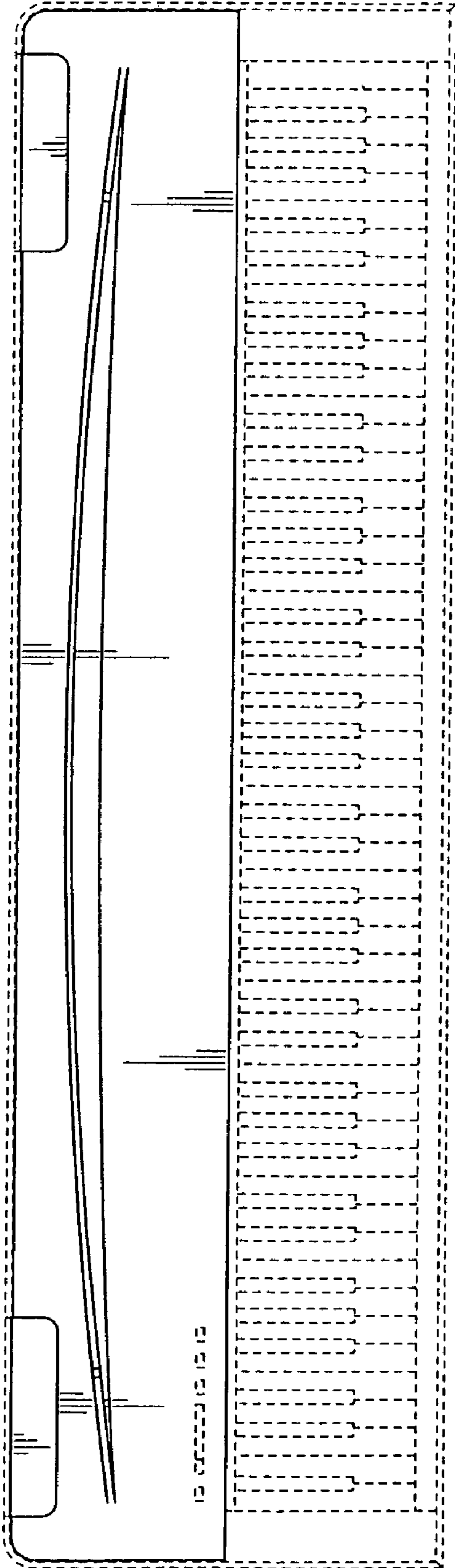


FIG. 2

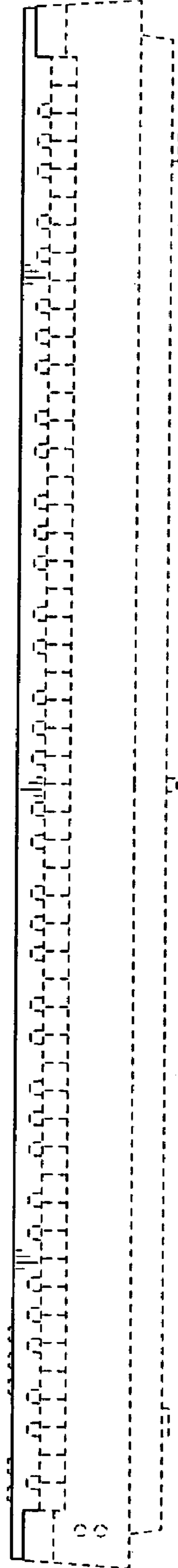


FIG. 3

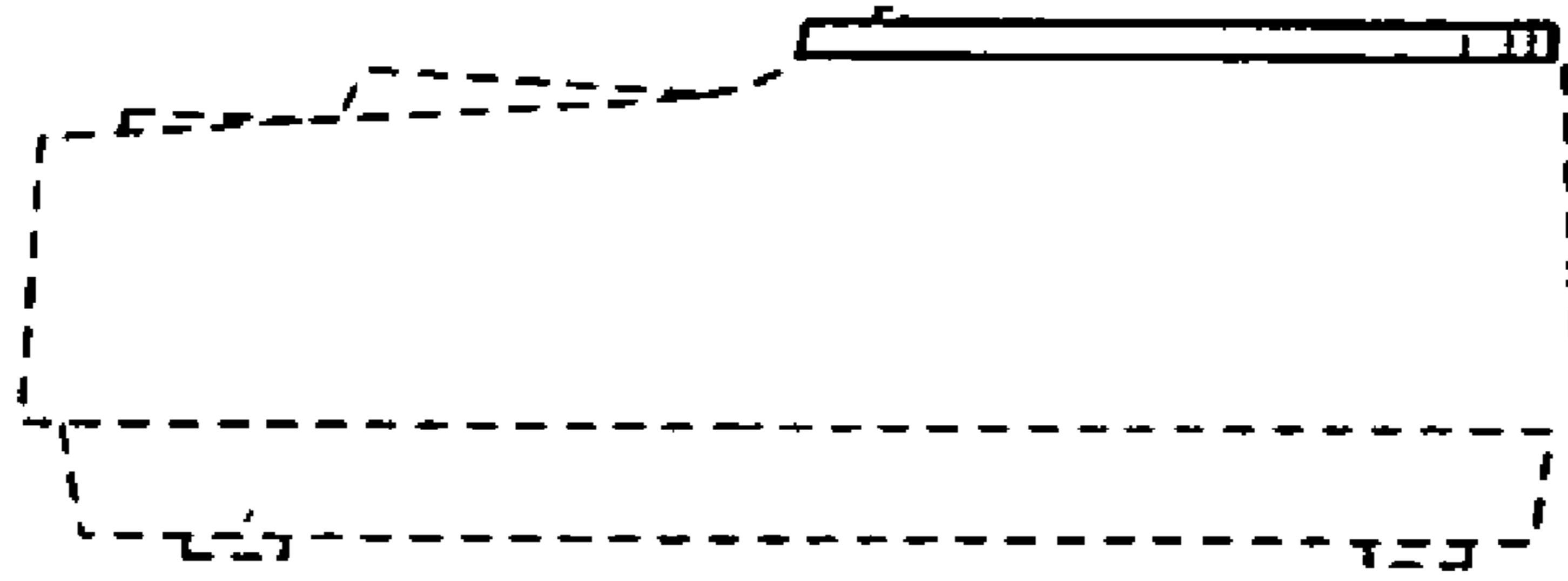


FIG. 4

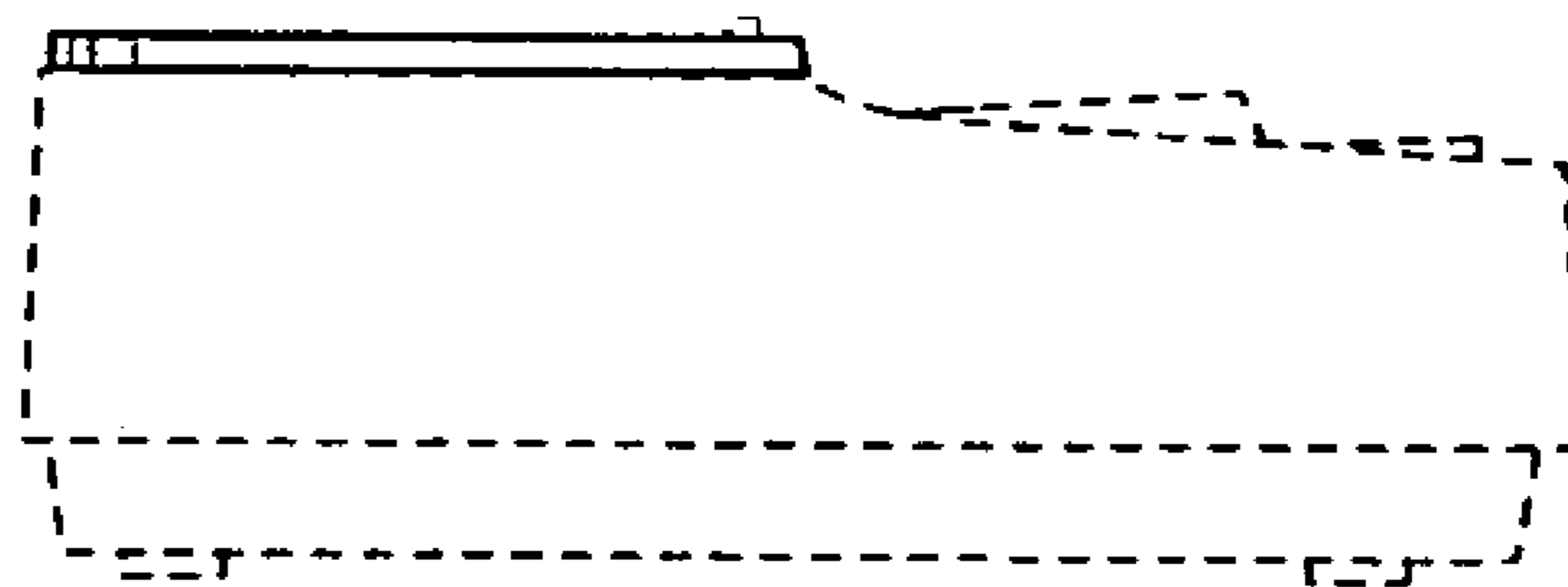


FIG. 5

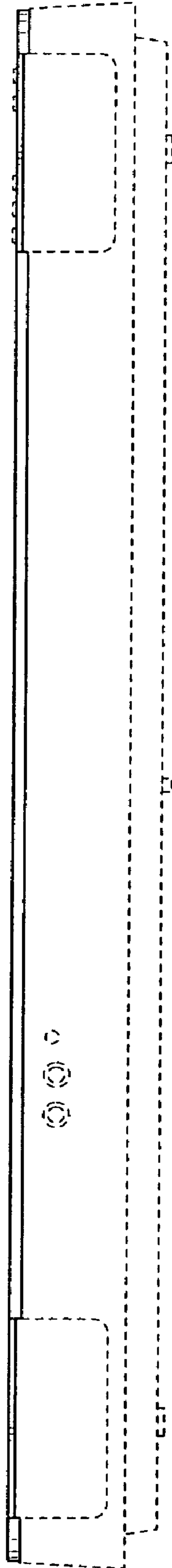


FIG. 6

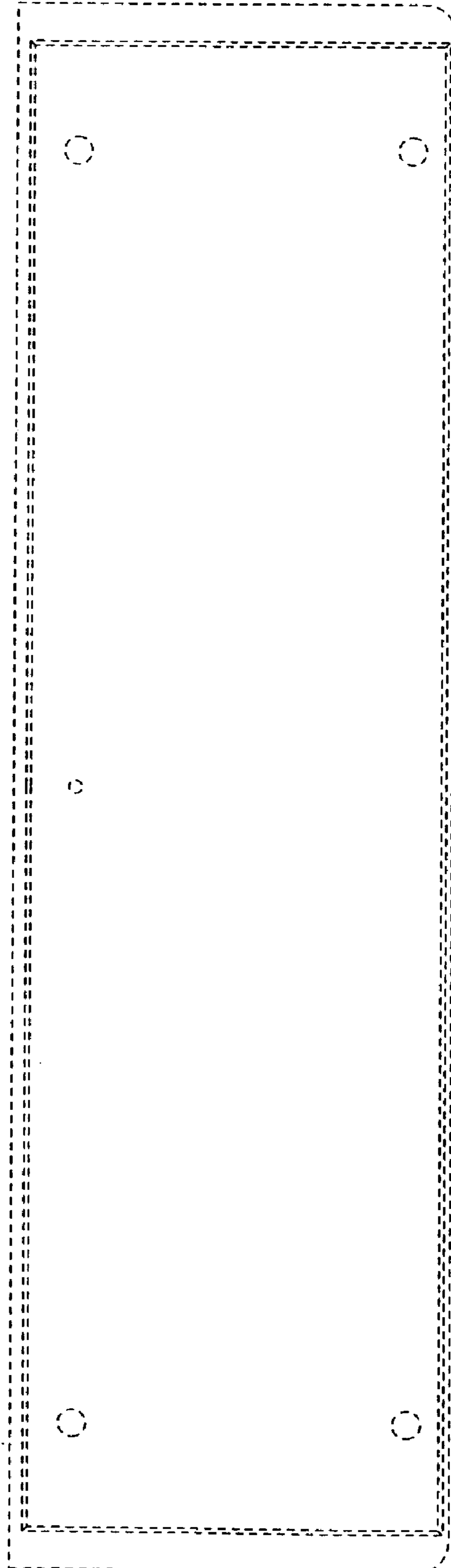


FIG. 7