

US00D546363S

(12) **United States Design Patent**  
**Tokiwa et al.**

(10) **Patent No.:** **US D546,363 S**

(45) **Date of Patent:** **\*\* Jul. 10, 2007**

(54) **CAMERA LENS ADAPTOR**

6,545,825 B2 \* 4/2003 Shoji et al. .... 359/819  
D510,945 S \* 10/2005 Do ..... D16/134

(75) Inventors: **Kentaro Tokiwa**, Asaka (JP); **Hiroshi Tanaka**, Asaka (JP); **Yoshihiro Ito**, Asaka (JP)

\* cited by examiner

*Primary Examiner*—Adir Aronovich

(74) *Attorney, Agent, or Firm*—Young & Thompson

(73) Assignee: **Fuji Photo Film Co., Ltd.**, Kanagawa (JP)

(57) **CLAIM**

(\*\*) Term: **14 Years**

The ornamental design for a camera lens adaptor, as shown and described.

(21) Appl. No.: **29/252,594**

(22) Filed: **Jan. 26, 2006**

(30) **Foreign Application Priority Data**

Jul. 28, 2005 (JP) ..... 2005-021981

(51) **LOC (8) Cl.** ..... **16-05**

(52) **U.S. Cl.** ..... **D16/219; D16/134**

(58) **Field of Classification Search** ..... D16/134,  
D16/136, 200, 202, 209, 218, 219; 348/373–376;  
359/815, 819, 826–828; 396/529–532, 535,  
396/540, 541, 544

See application file for complete search history.

(56) **References Cited**

**U.S. PATENT DOCUMENTS**

4,330,192	A *	5/1982	Shimizu	.....	396/529
4,352,548	A *	10/1982	Toyoda	.....	396/529
4,357,090	A *	11/1982	Araki	.....	396/529
4,457,609	A *	7/1984	Tomino et al.	.....	396/532
5,040,011	A *	8/1991	Tiffen	.....	396/544
D339,599	S *	9/1993	Tiffen	.....	D16/219
5,384,614	A *	1/1995	Hasuda	.....	396/529

**DESCRIPTION**

FIG. 1 is a top, front and side perspective view of a camera lens adaptor showing our new design;

FIG. 2 is a front elevational view thereof;

FIG. 3 is a rear elevational view thereof;

FIG. 4 is a top plan view thereof;

FIG. 5 is a bottom plan view thereof;

FIG. 6 is a side elevational view thereof from the left of FIG. 2;

FIG. 7 is a side elevational perspective view from the right of FIG. 2;

FIG. 8 is a top, rear and side perspective view thereof;

FIG. 9 is a view similar to FIG. 1 but with the parts in a different position; and,

FIG. 10 is a top, front and side perspective view thereof when mounted on a camera body.

The parts shown in broken lines are only to illustrate the environment and are not claimed.

**1 Claim, 5 Drawing Sheets**

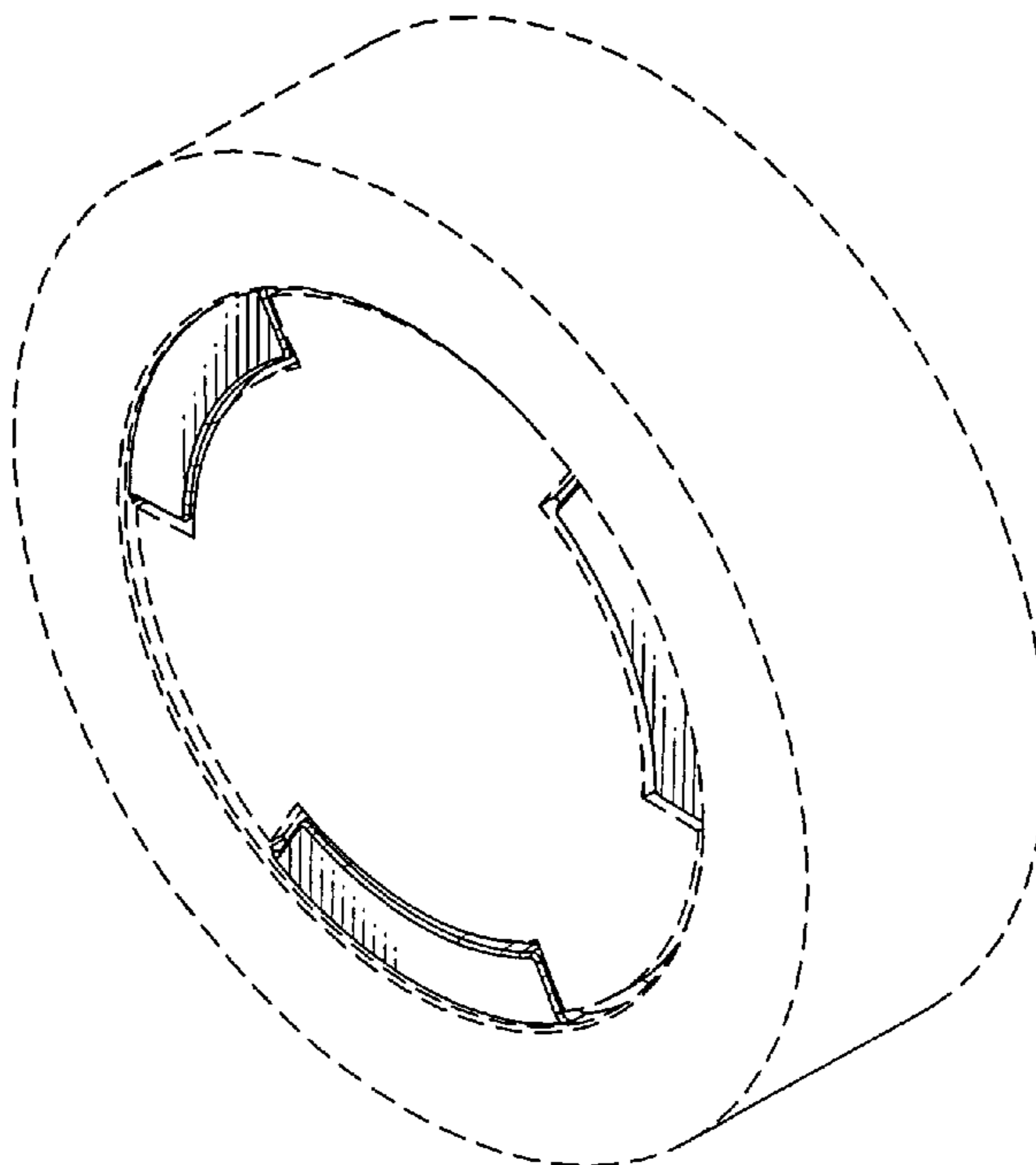


FIG.1

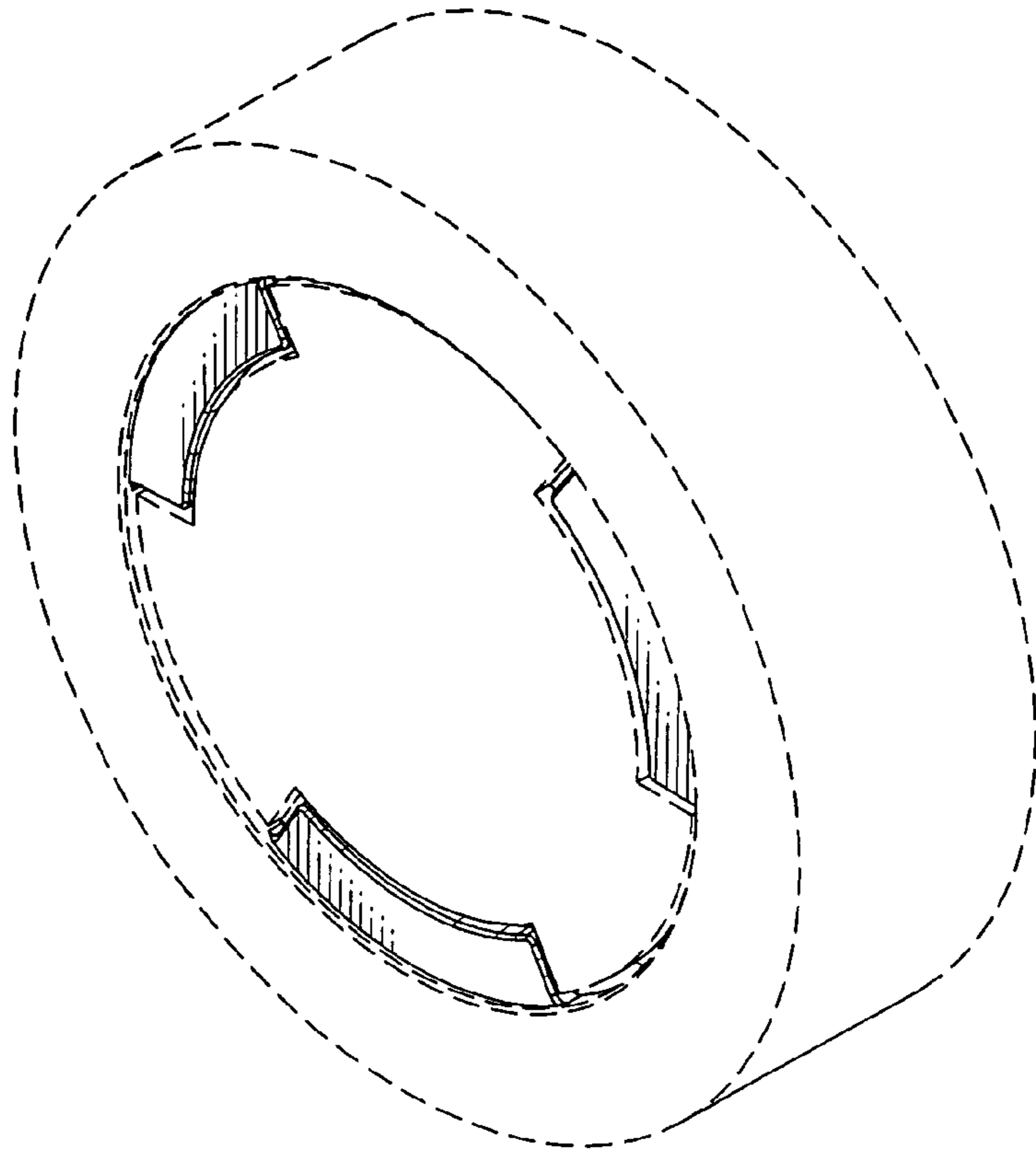


FIG. 2

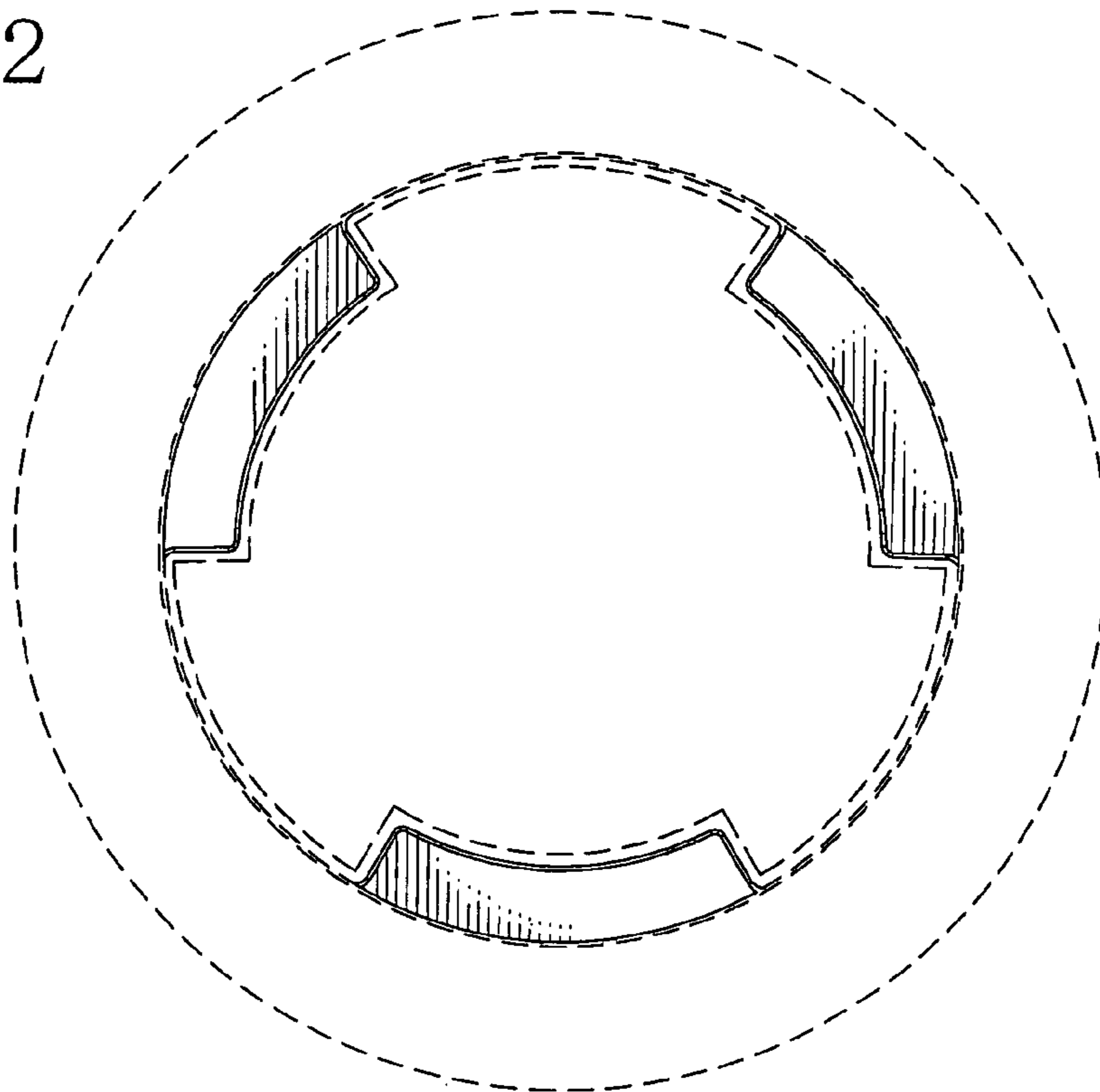


FIG.3

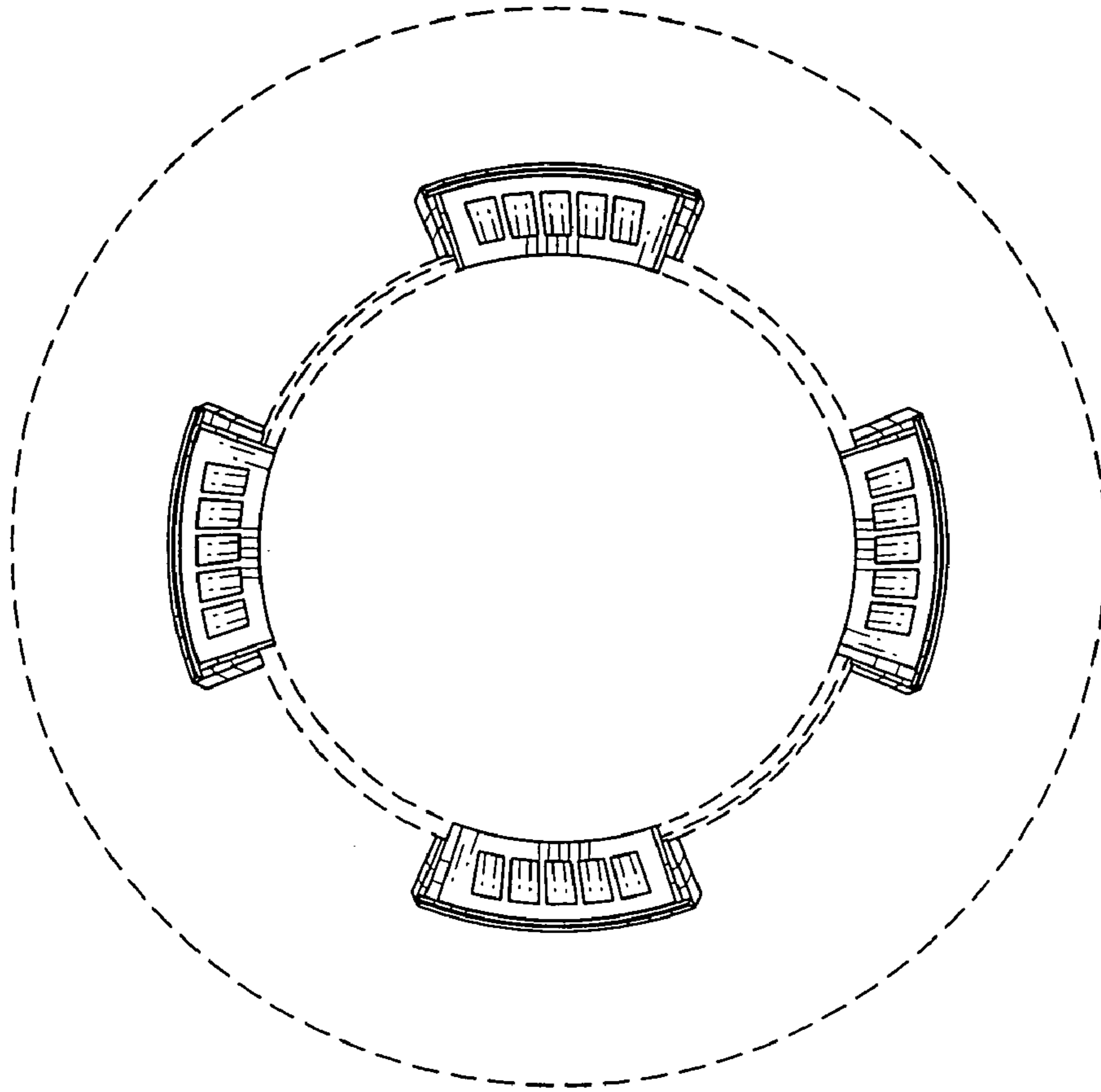


FIG.4

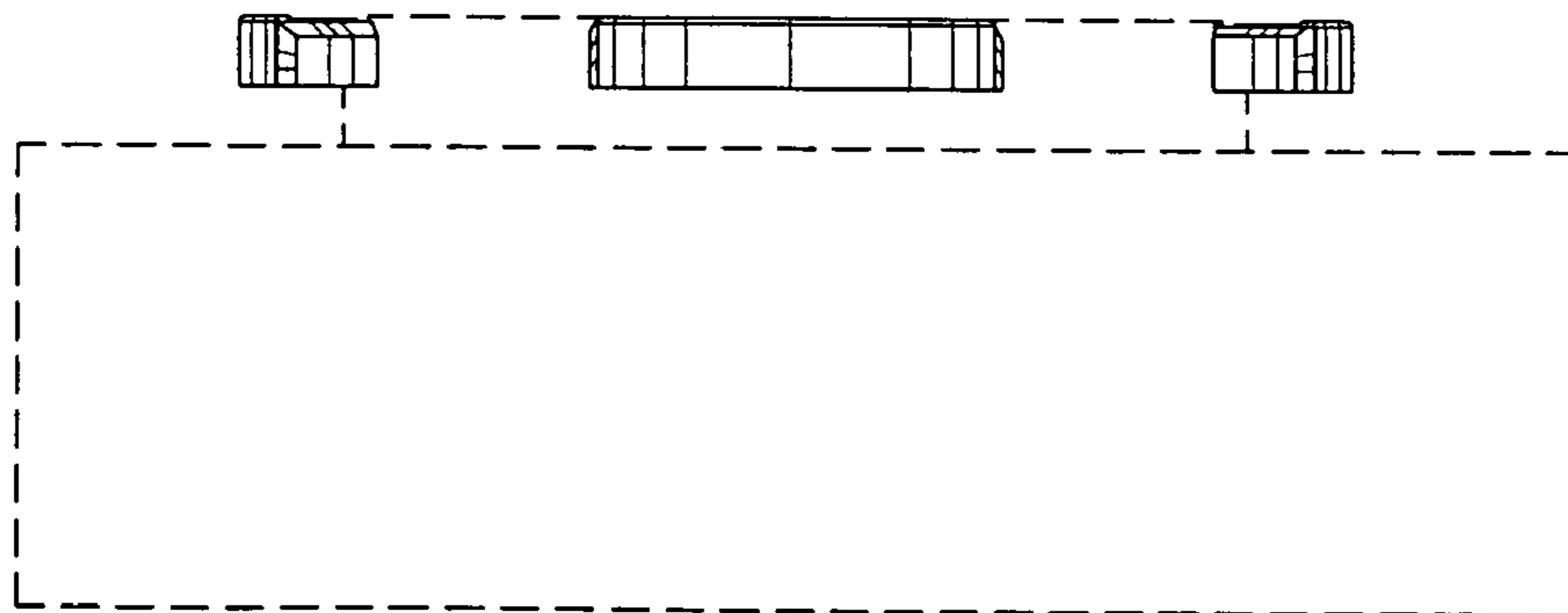


FIG.5

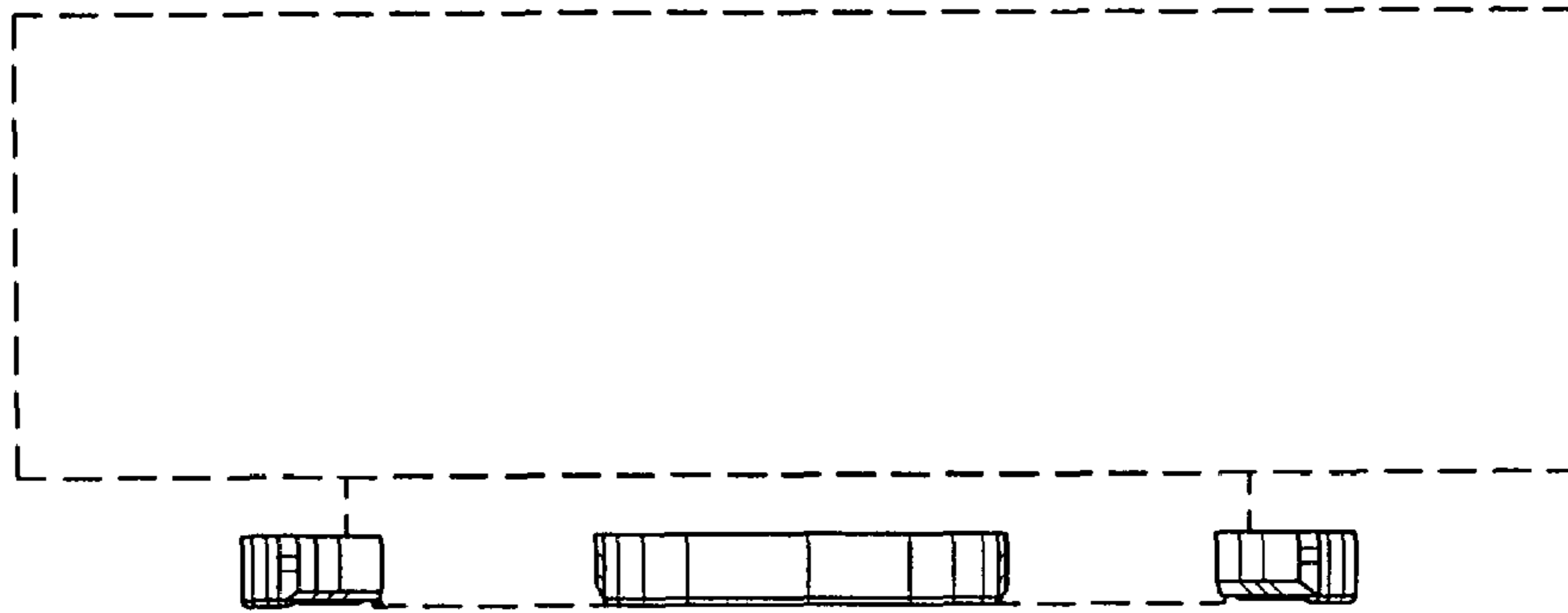


FIG.6

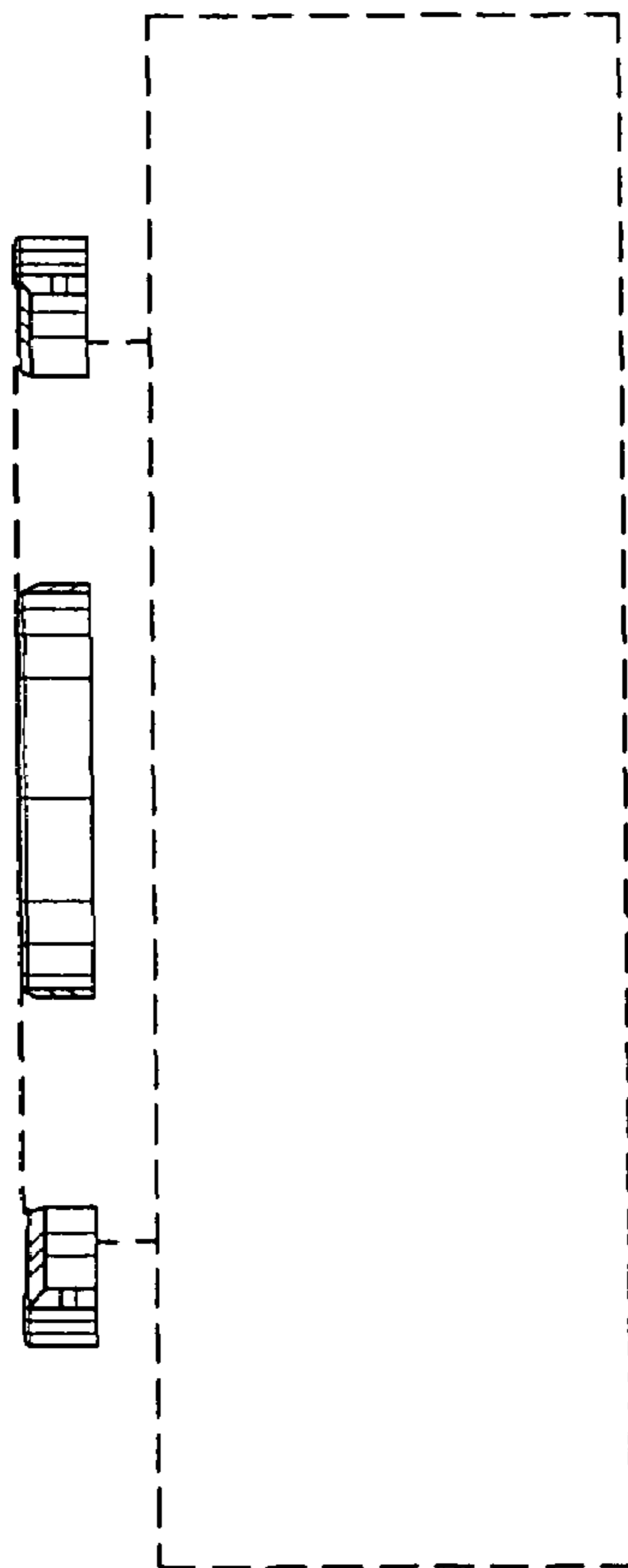


FIG.7

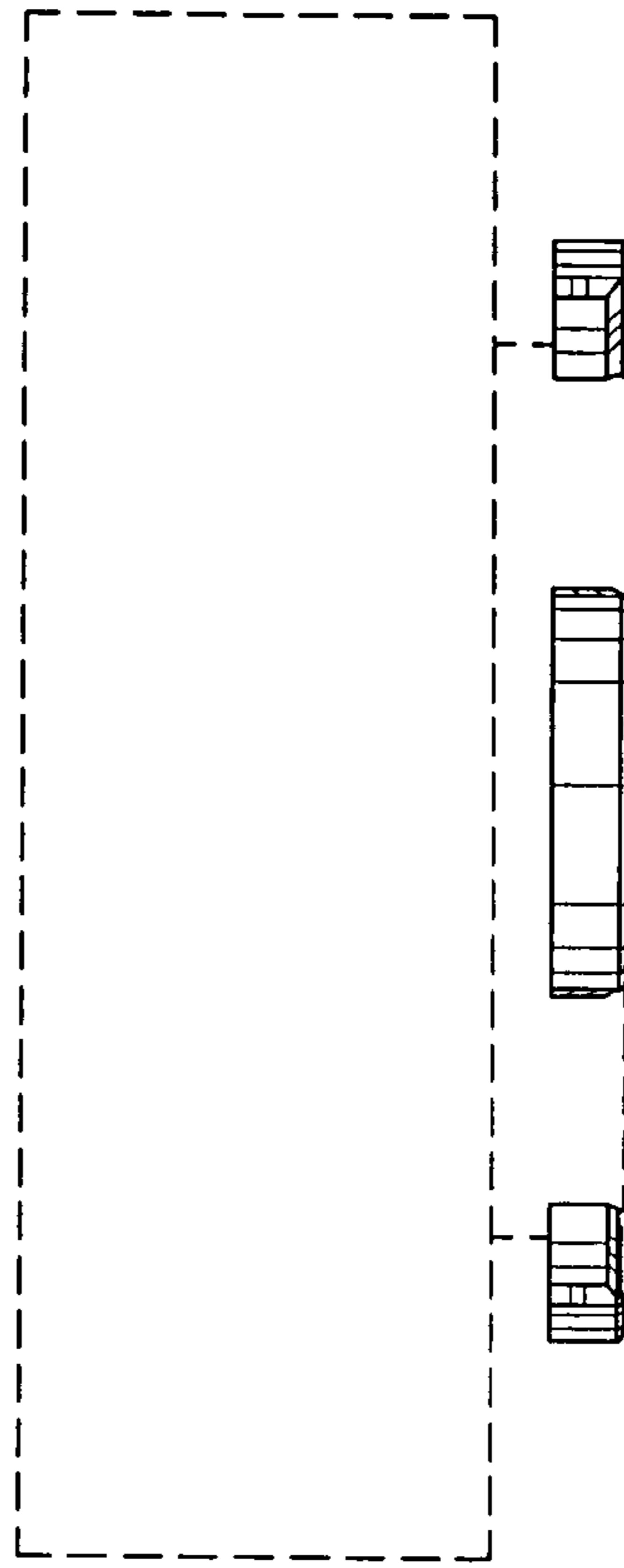


FIG.8

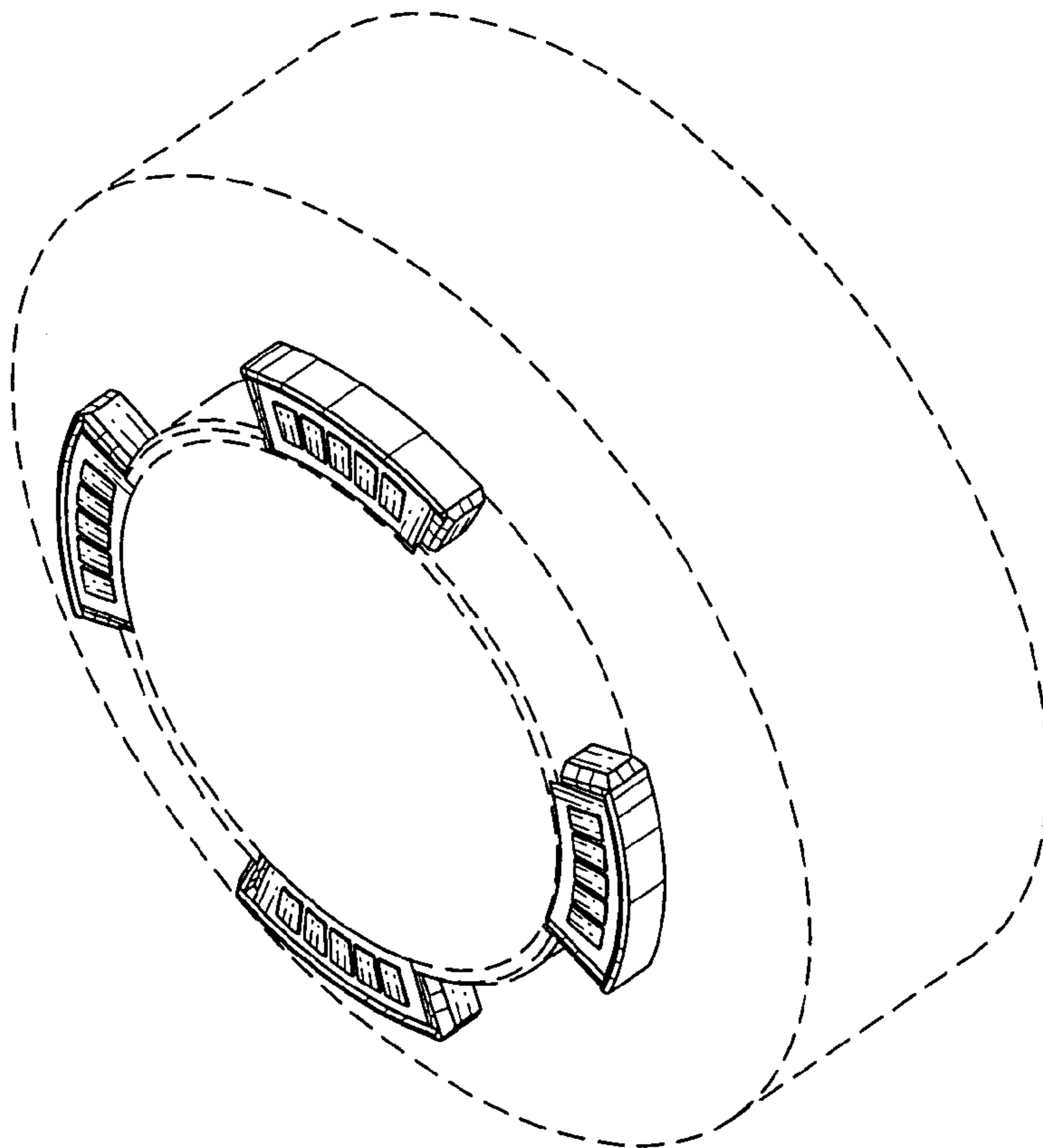


FIG.9

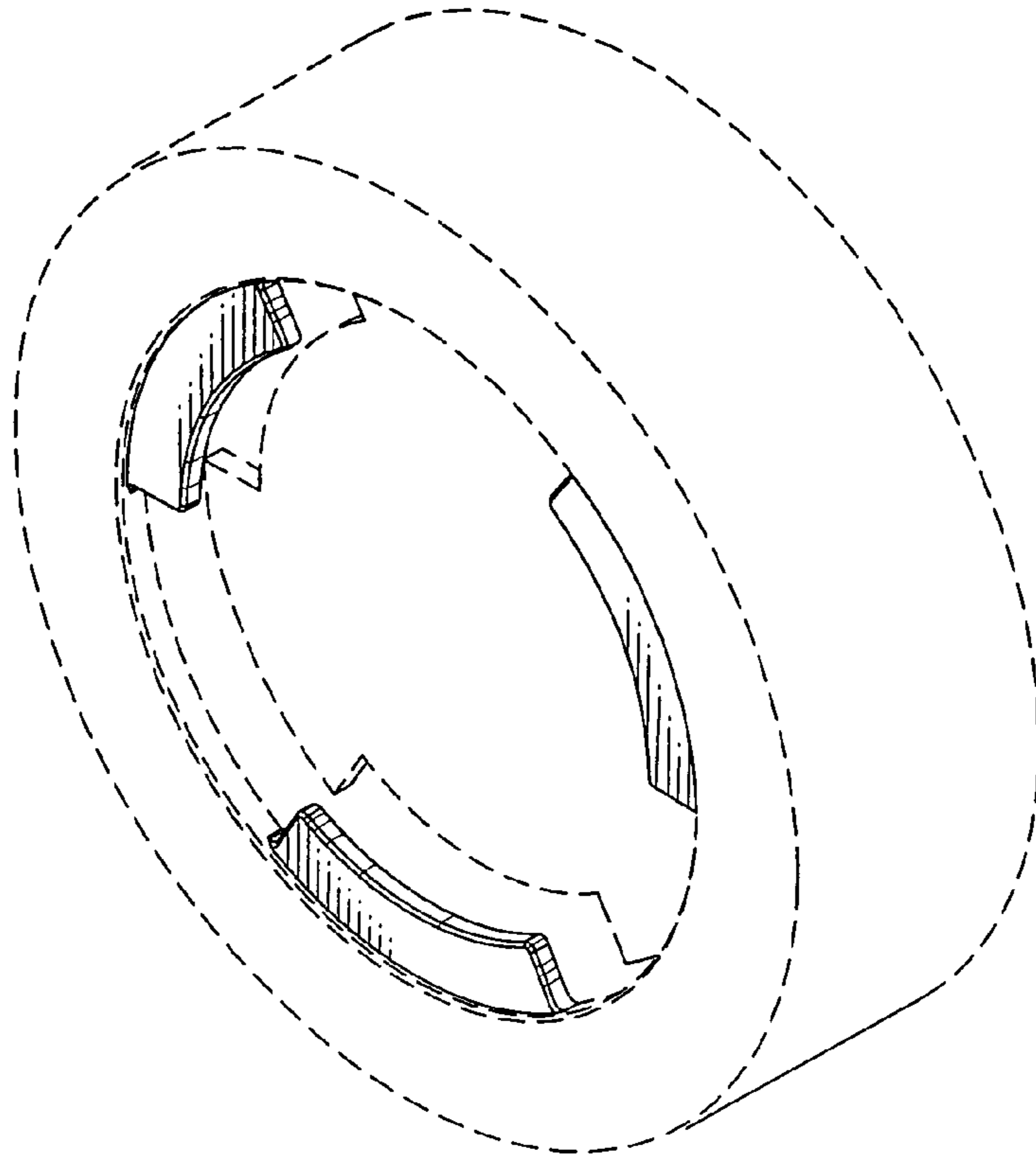


FIG.10

