

US00D546360S

(12) **United States Design Patent**
Tokiwa et al.

(10) **Patent No.: US D546,360 S**

(45) **Date of Patent: ** *Jul. 10, 2007**

(54) **LENS FOR CAMERA**

(75) Inventors: **Kentaro Tokiwa**, Asaka (JP); **Takehiko Senba**, Asaka (JP); **Hiroshi Tanaka**, Asaka (JP)

(73) Assignee: **Fuji Photo Film Co., Ltd.**, Kanagawa (JP)

(*) Notice: This patent is subject to a terminal disclaimer.

(**) Term: **14 Years**

(21) Appl. No.: **29/235,888**

(22) Filed: **Aug. 9, 2005**

(30) **Foreign Application Priority Data**

Feb. 10, 2005 (JP) 2005-003637

(51) **LOC (8) Cl.** **16-05**

(52) **U.S. Cl.** **D16/219; D16/134**

(58) **Field of Classification Search** D16/134, D16/136, 200, 202, 218, 219; 348/373-376; 358/909.1; 359/815, 819, 826-828; 396/529-532, 396/535, 540, 541, 544
See application file for complete search history.

(56) **References Cited**

U.S. PATENT DOCUMENTS

D165,648 S * 1/1952 Hall D16/134

D243,172 S * 1/1977 Uetake et al. D16/134
D251,669 S * 4/1979 Ueda et al. D16/134
D252,833 S * 9/1979 Bowser D26/85
4,330,192 A * 5/1982 Shimizu 396/529
4,352,548 A * 10/1982 Toyoda 396/529
4,357,090 A * 11/1982 Araki 396/529
D303,976 S * 10/1989 Kimura et al. D16/134
D412,922 S * 8/1999 Sekine D16/219

* cited by examiner

Primary Examiner—Adir Aronovich

(74) *Attorney, Agent, or Firm*—Young & Thompson

(57) **CLAIM**

The ornamental design for a lens for camera, as shown and described.

DESCRIPTION

FIG. 1 is a top, rear and side perspective view of a lens for camera showing our new design;
FIG. 2 is a rear elevational view thereof;
FIG. 3 is a bottom plan view thereof;
FIG. 4 is a top plan view thereof;
FIG. 5 is a side elevational view thereof from the right of the FIG. 2;
FIG. 6 is a side elevational view thereof from the left of FIG. 2; and,
FIG. 7 discloses a lens body and camera housing both shown in broken lines to illustrate the environment only and forms no part of the claimed design.

1 Claim, 4 Drawing Sheets

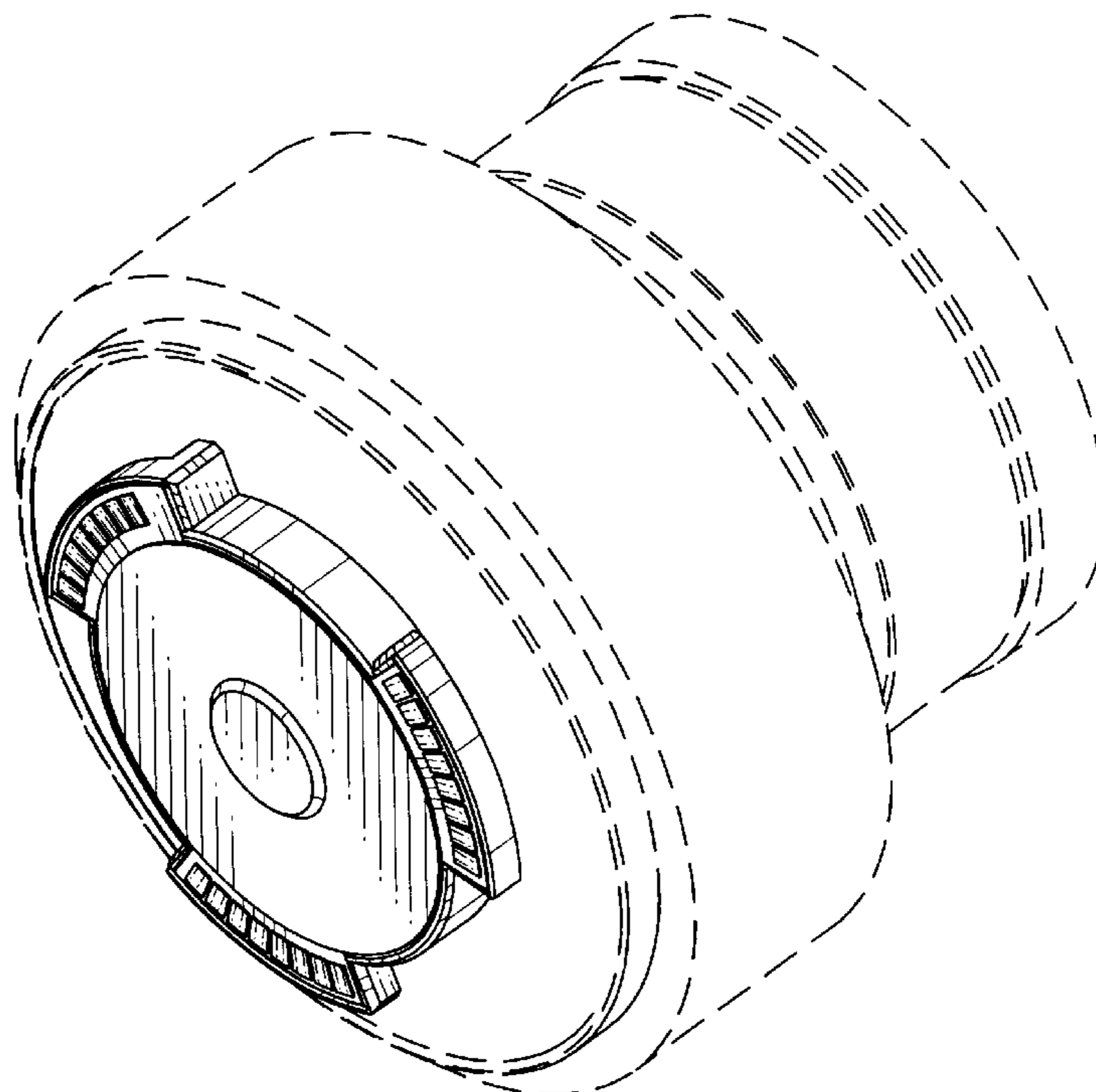


FIG.1

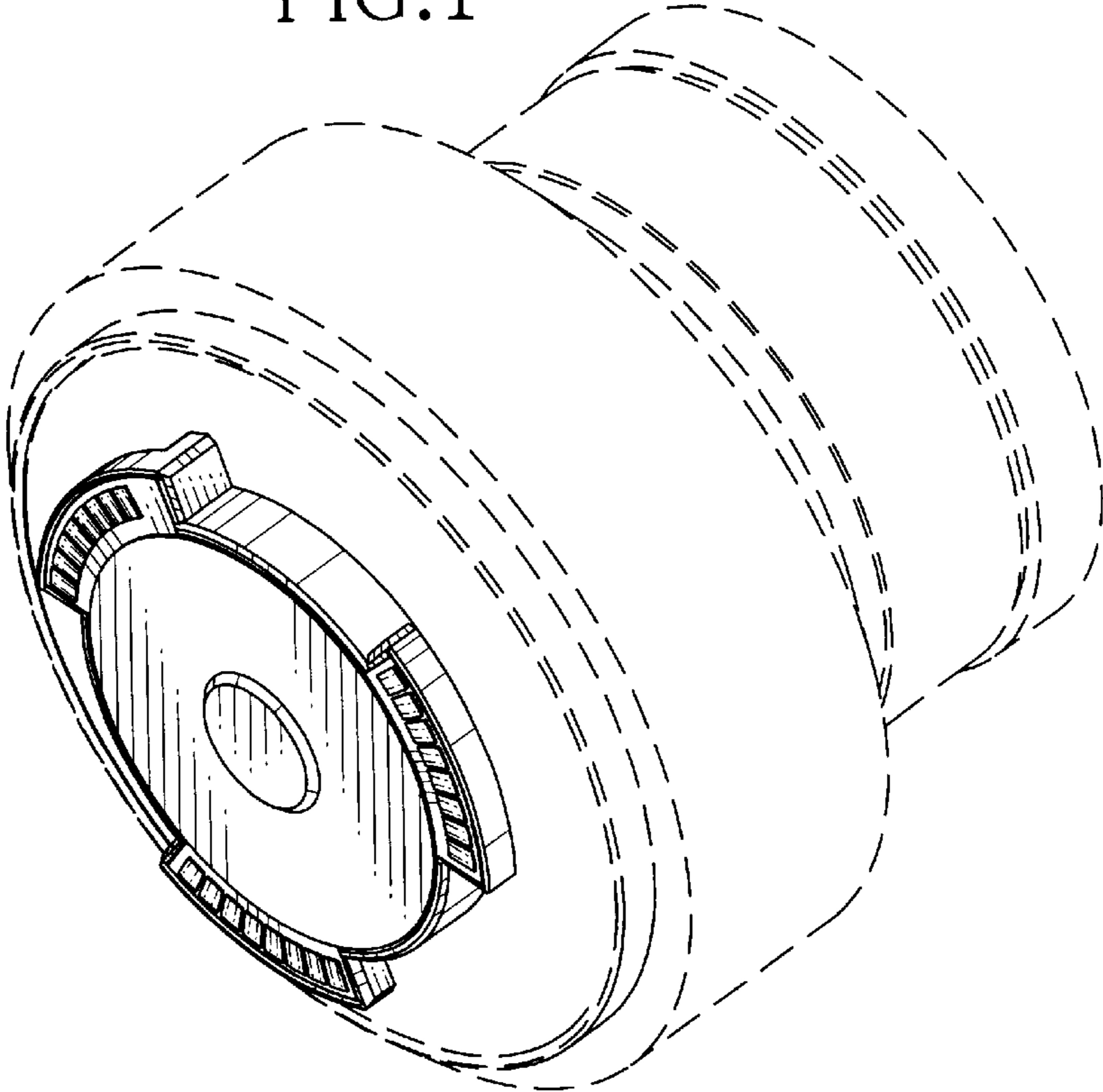


FIG.2

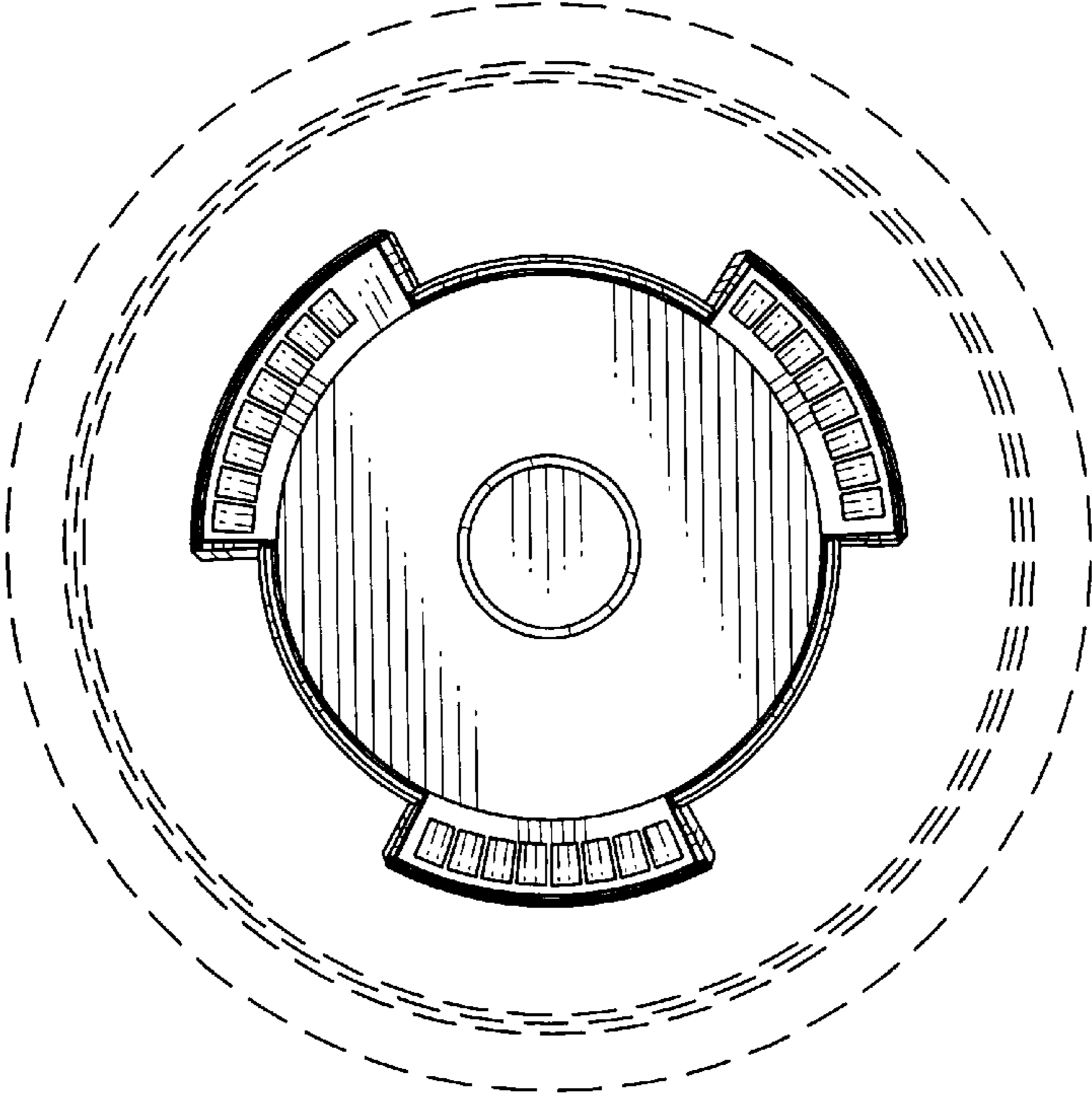


FIG.3

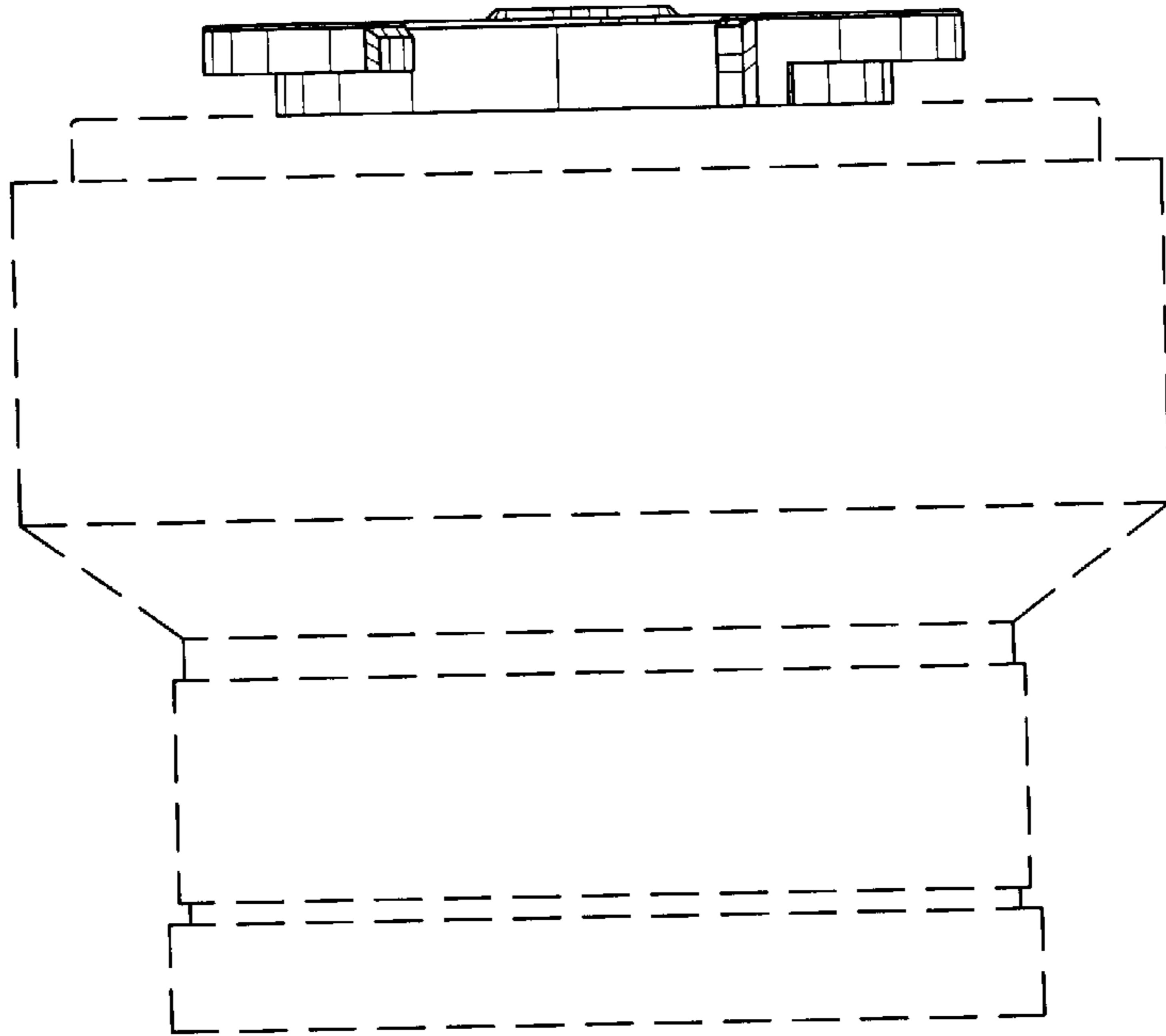


FIG.4

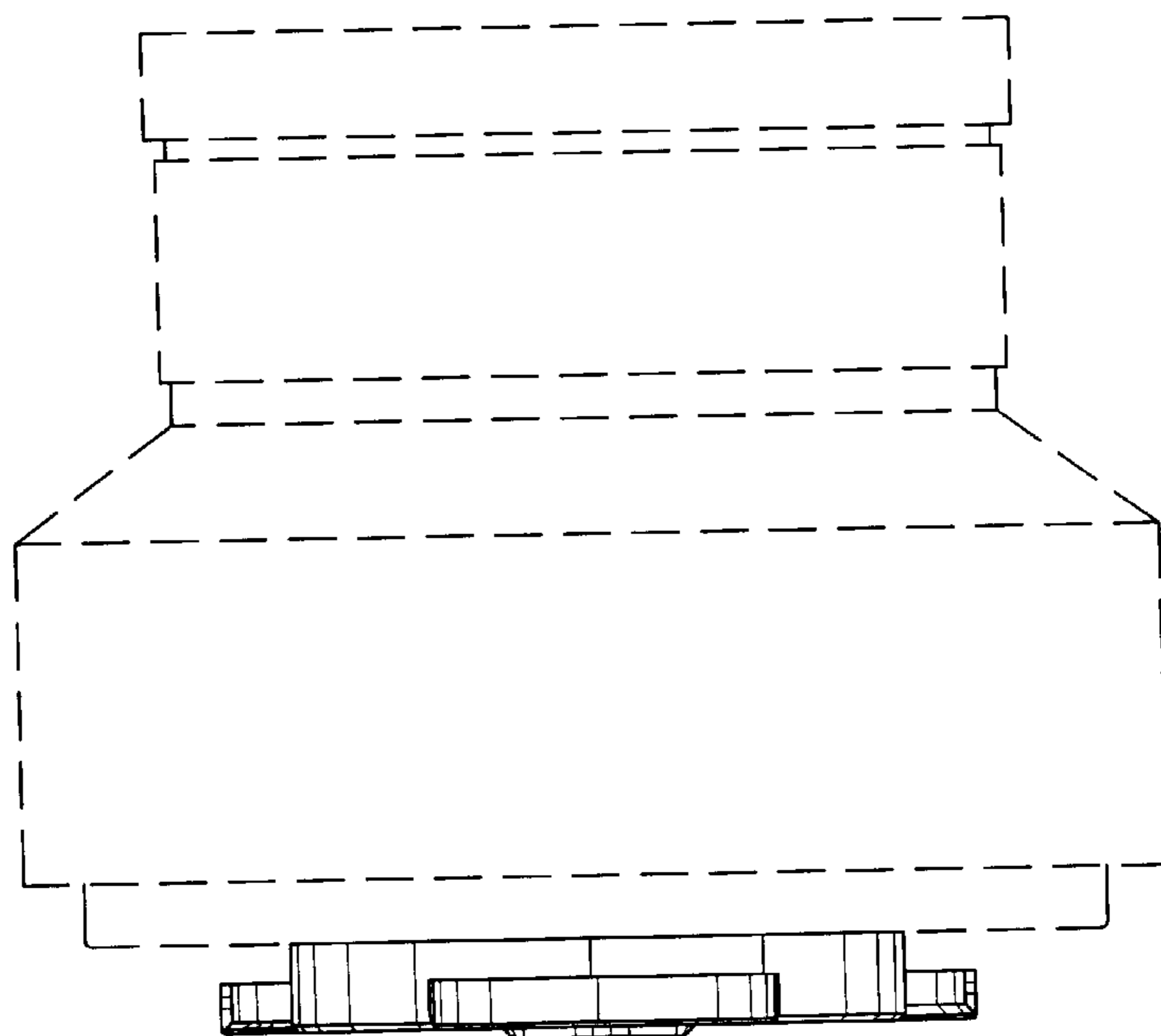


FIG.5

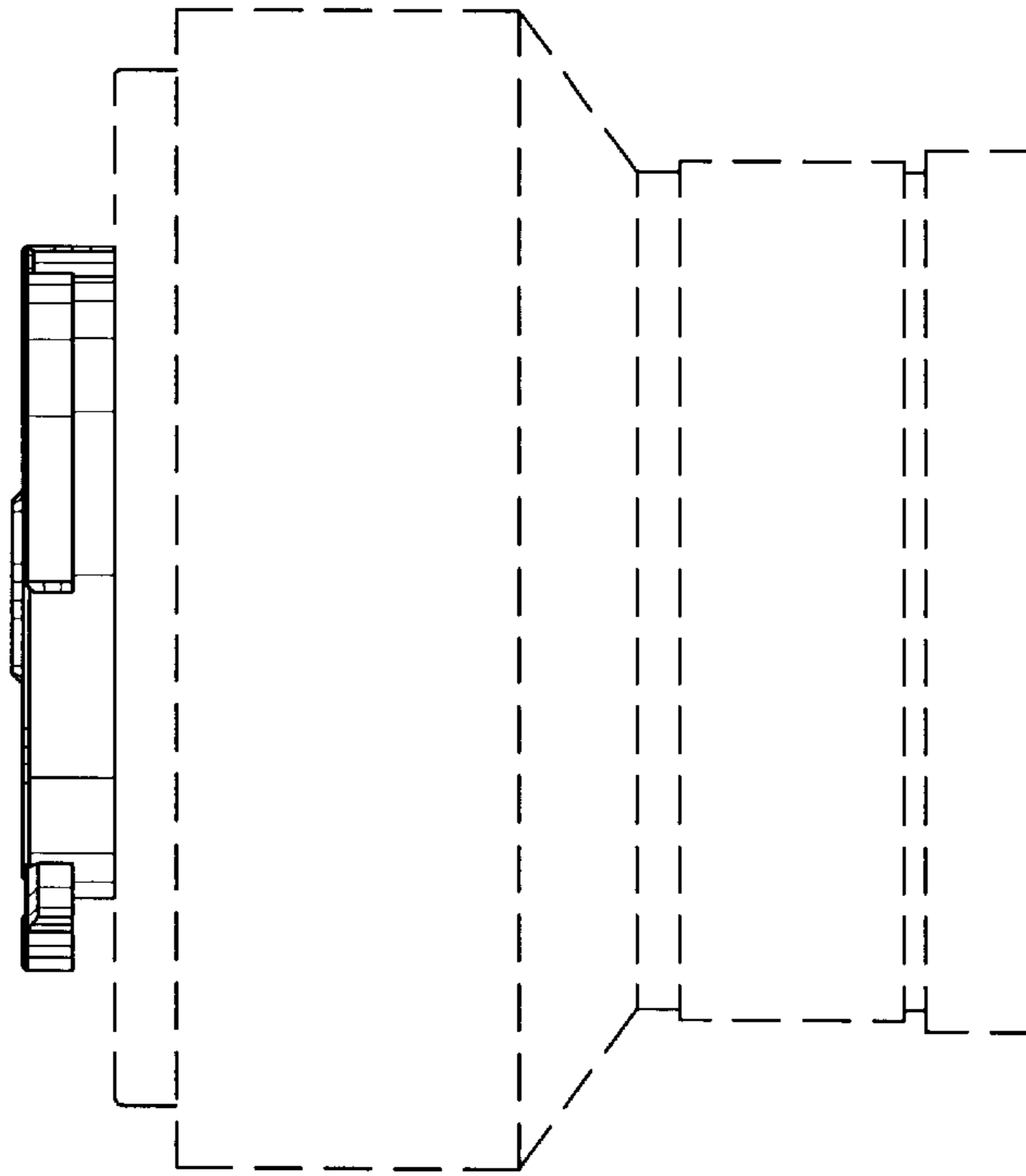


FIG.6

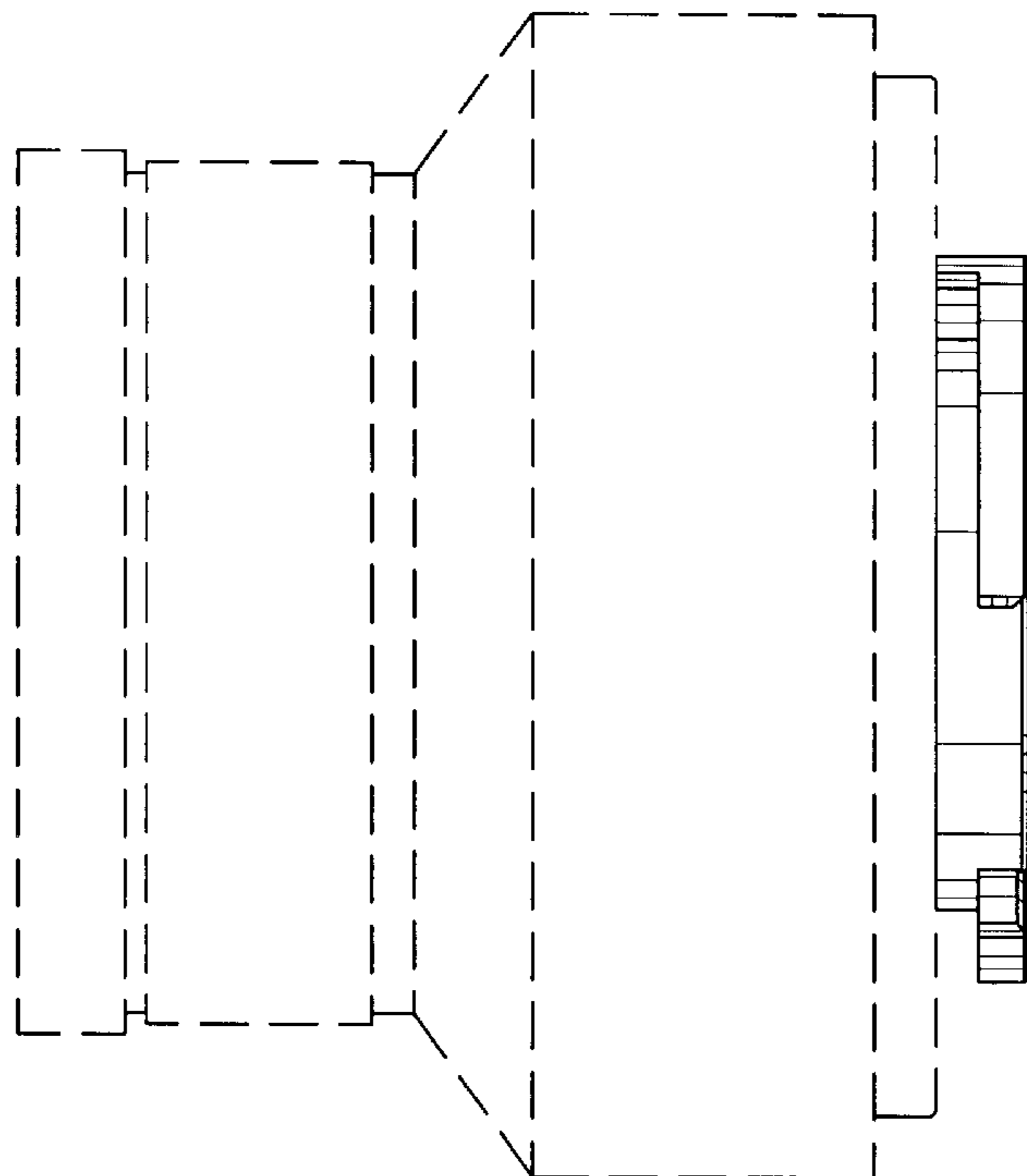


FIG.7

