

US00D546359S

(12) **United States Design Patent**  
**Clark et al.**

(10) **Patent No.:** **US D546,359 S**

(45) **Date of Patent:** **\*\* Jul. 10, 2007**

(54) **CAMERA WITH V-SHAPED BODY**

(75) Inventors: **Gina Clark**, Belmont, CA (US); **Kevin Tregear**, Livermore, CA (US); **George Basmadjian**, Union City, CA (US); **Tom Markworth**, San Carlos, CA (US); **Mark Martinez**, San Francisco, CA (US); **Jean-Michel Chardon**, Livermore, CA (US); **Gregg Smith**, Vancouver, WA (US); **Kevin Hlas**, Portland, OR (US); **Jason Riggs**, Portland, OR (US); **Jeff Anderson**, Camas, WA (US); **Soren Juelsgaard**, Oakland, CA (US); **Michael Howes**, Vancouver, WA (US); **Tom Carlson**, Vancouver, WA (US)

(73) Assignee: **Logitech Europe S.A.** (CH)

(\*\*) Term: **14 Years**

(21) Appl. No.: **29/240,184**

(22) Filed: **Oct. 7, 2005**  
(Under 37 CFR 1.47)

(51) **LOC (8) Cl.** ..... **16-01**

(52) **U.S. Cl.** ..... **D16/213; D16/200**

(58) **Field of Classification Search** ..... **D16/200-205,**  
**D16/208, 213, 218; 348/373-376; 358/906,**  
**358/909.1; 396/535-541**

See application file for complete search history.

(56) **References Cited**

**U.S. PATENT DOCUMENTS**

D314,203 S \* 1/1991 Shinano ..... D16/202

5,231,511 A \* 7/1993 Kodama et al. .... 358/906  
D381,999 S \* 8/1997 Hern ..... D16/213  
D391,940 S \* 3/1998 Sakata ..... D16/213  
D411,848 S \* 7/1999 Maruska et al. .... D16/202  
D479,550 S \* 9/2003 Shao et al. .... D16/218  
D508,064 S \* 8/2005 Ramirez ..... D16/200  
D518,842 S \* 4/2006 Hilborn et al. .... D16/208

\* cited by examiner

*Primary Examiner*—Adir Aronovich

(74) *Attorney, Agent, or Firm*—Townsend and Townsend and Crew LLP

(57) **CLAIM**

The ornamental design for camera with v-shaped body, as shown and described.

**DESCRIPTION**

FIG. 1 is a perspective view of a camera with v-shaped body showing our new design;

FIG. 2 is a front elevational view thereof;

FIG. 3 is a rear elevational view thereof;

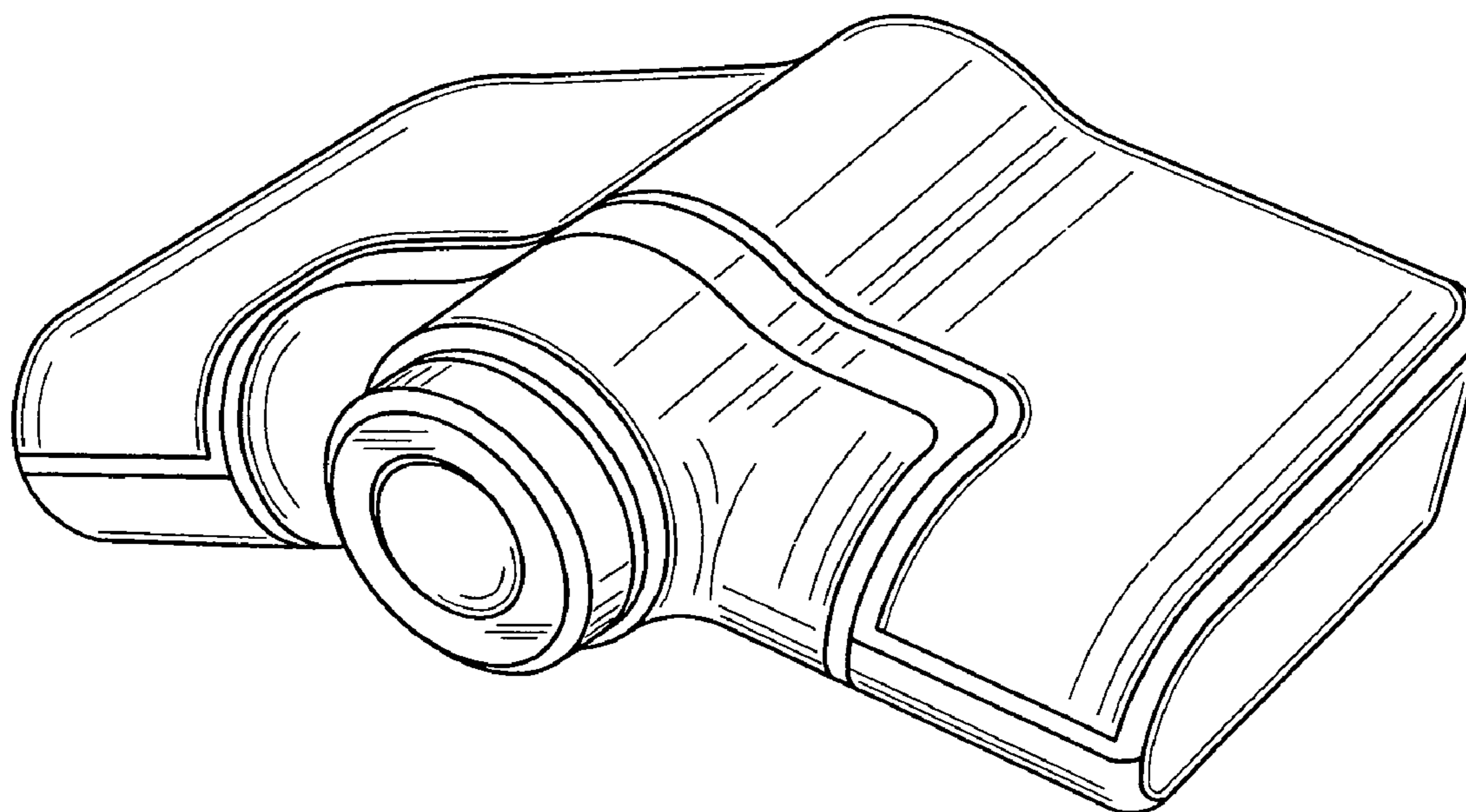
FIG. 4 is a top plan view thereof;

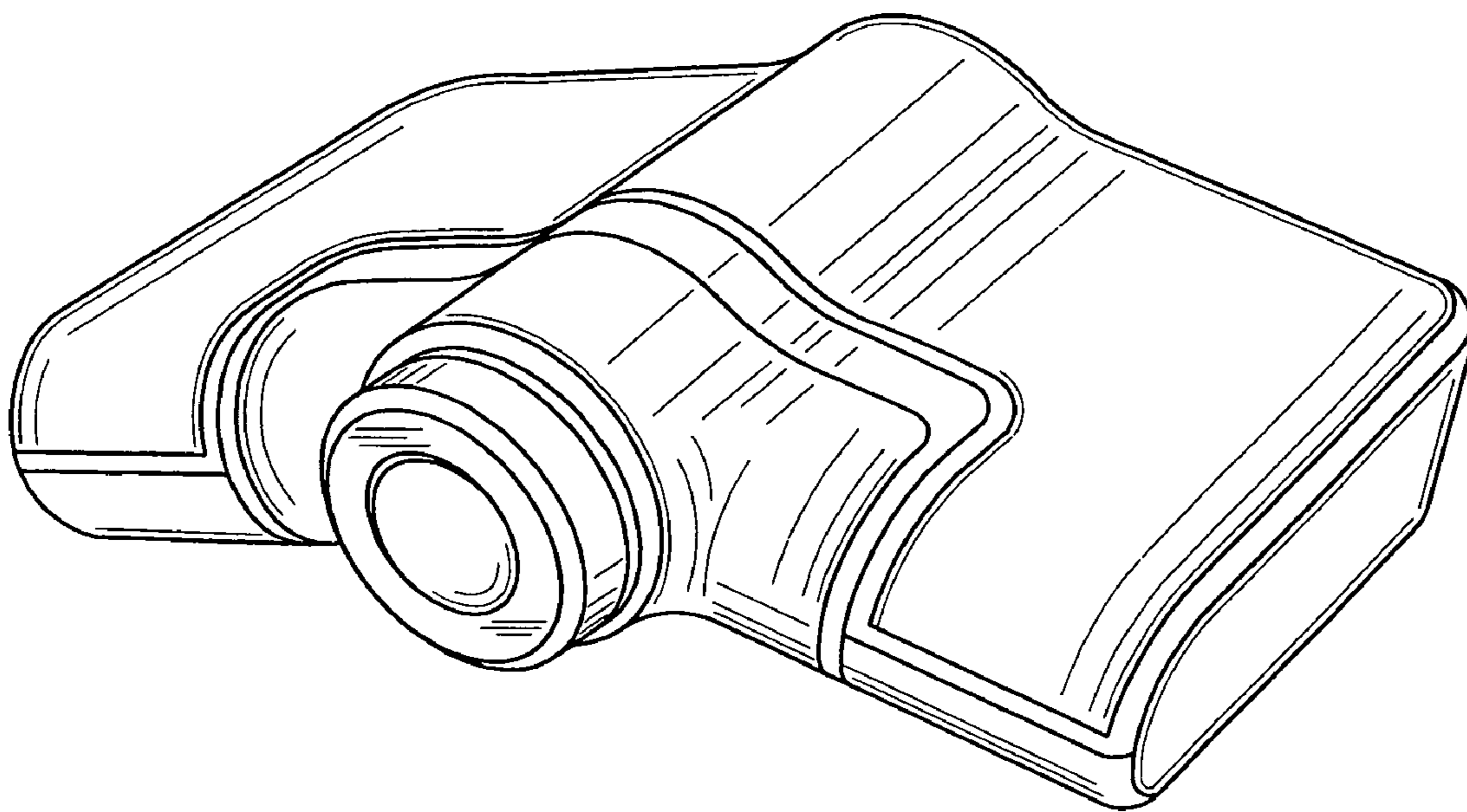
FIG. 5 is a bottom plan view thereof;

FIG. 6 is a right elevational view thereof; and,

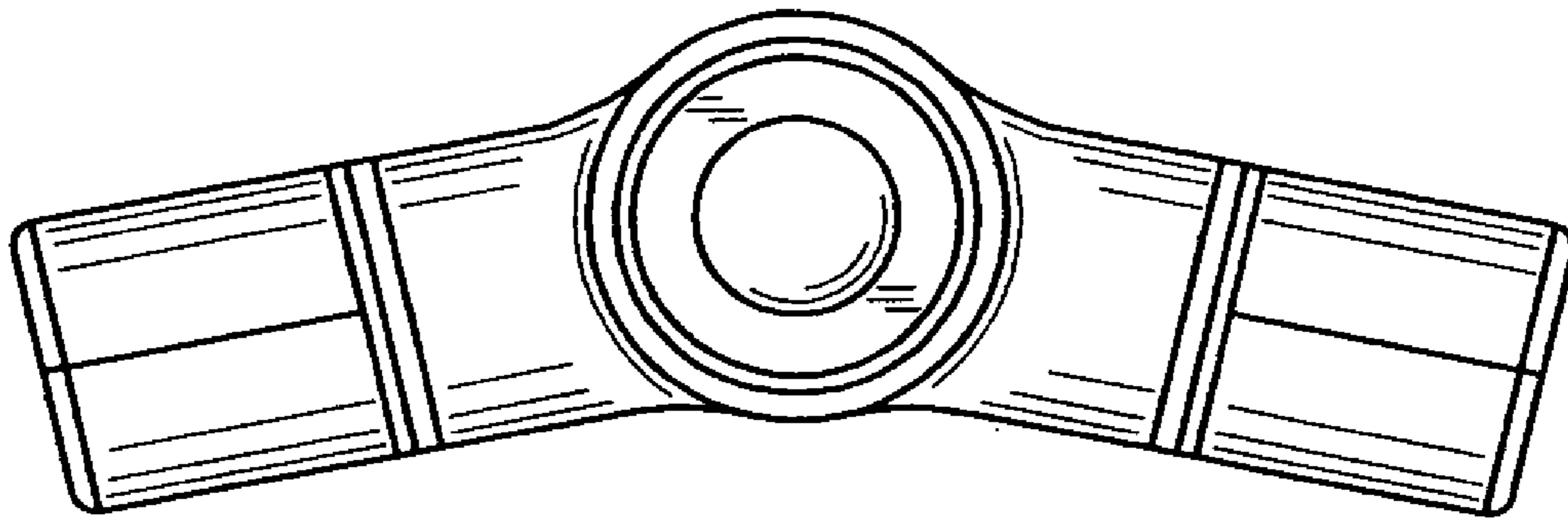
FIG. 7 is a left elevational view thereof.

**1 Claim, 4 Drawing Sheets**

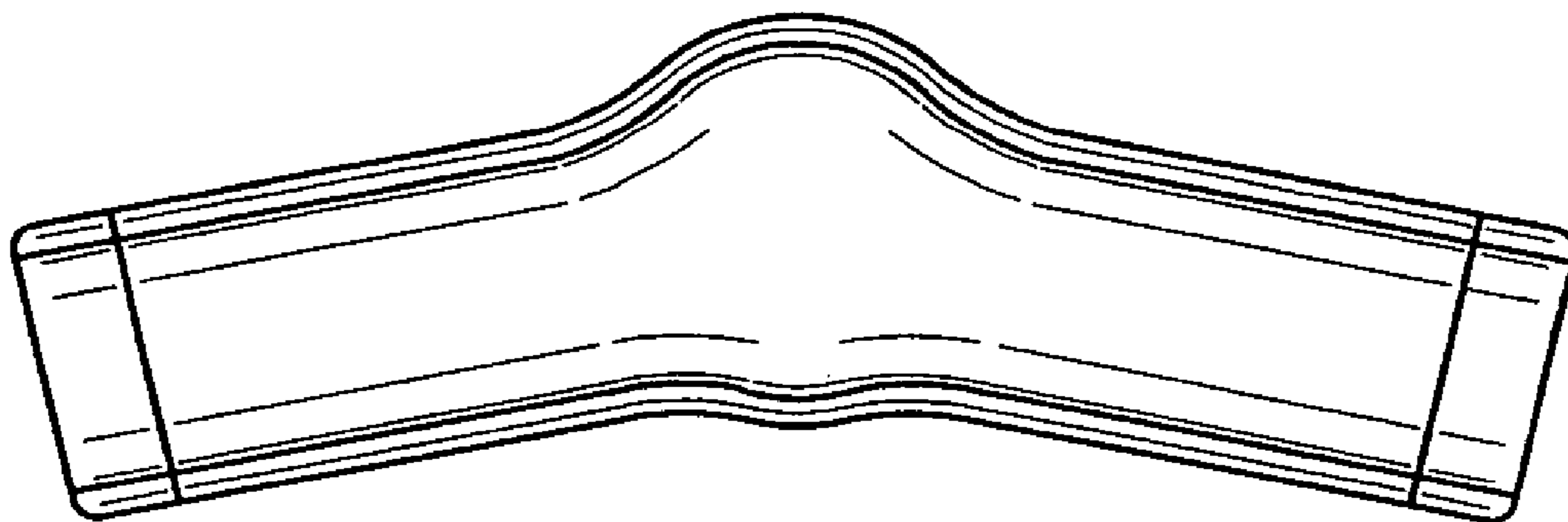




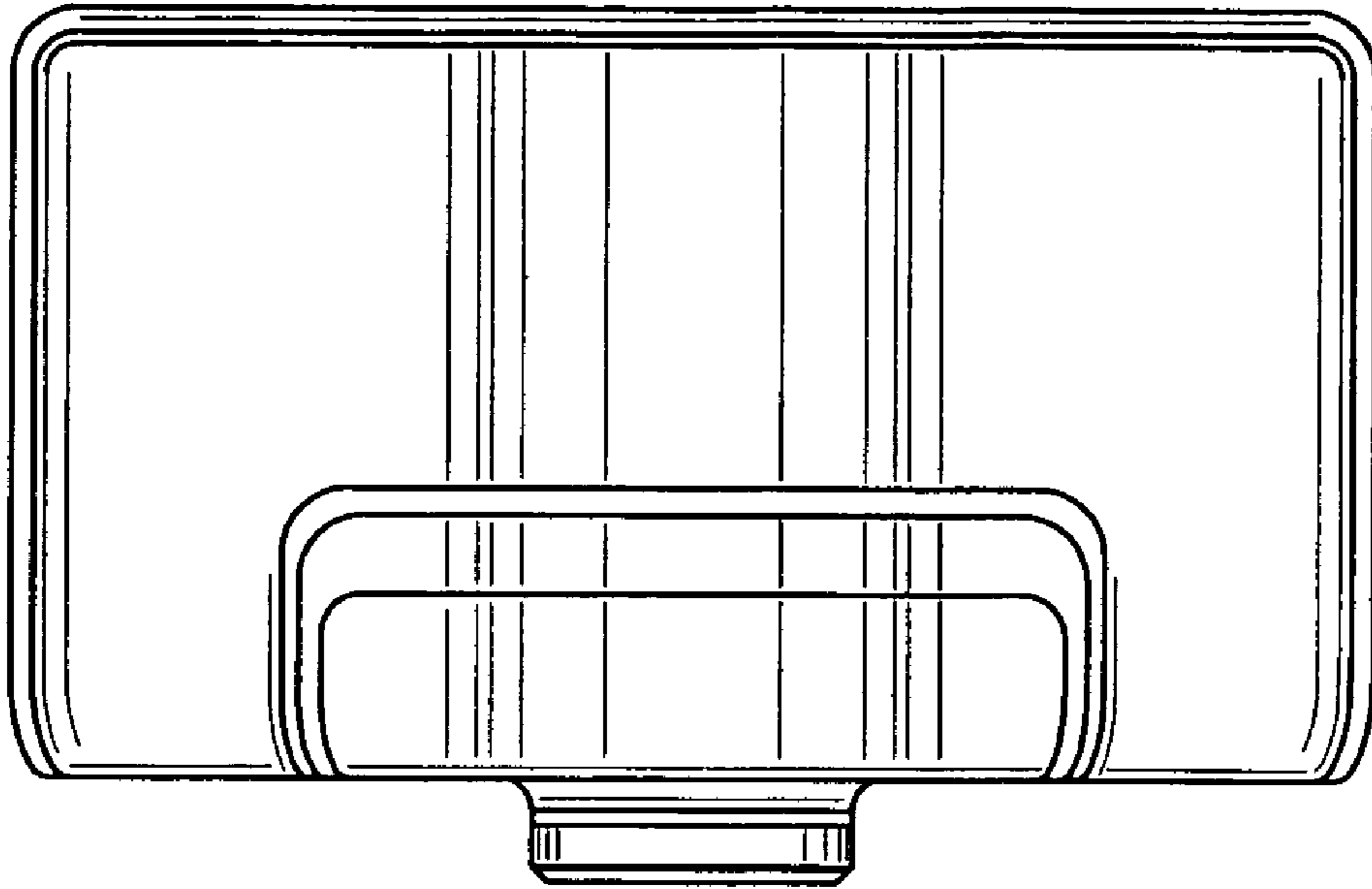
*FIG. 1*



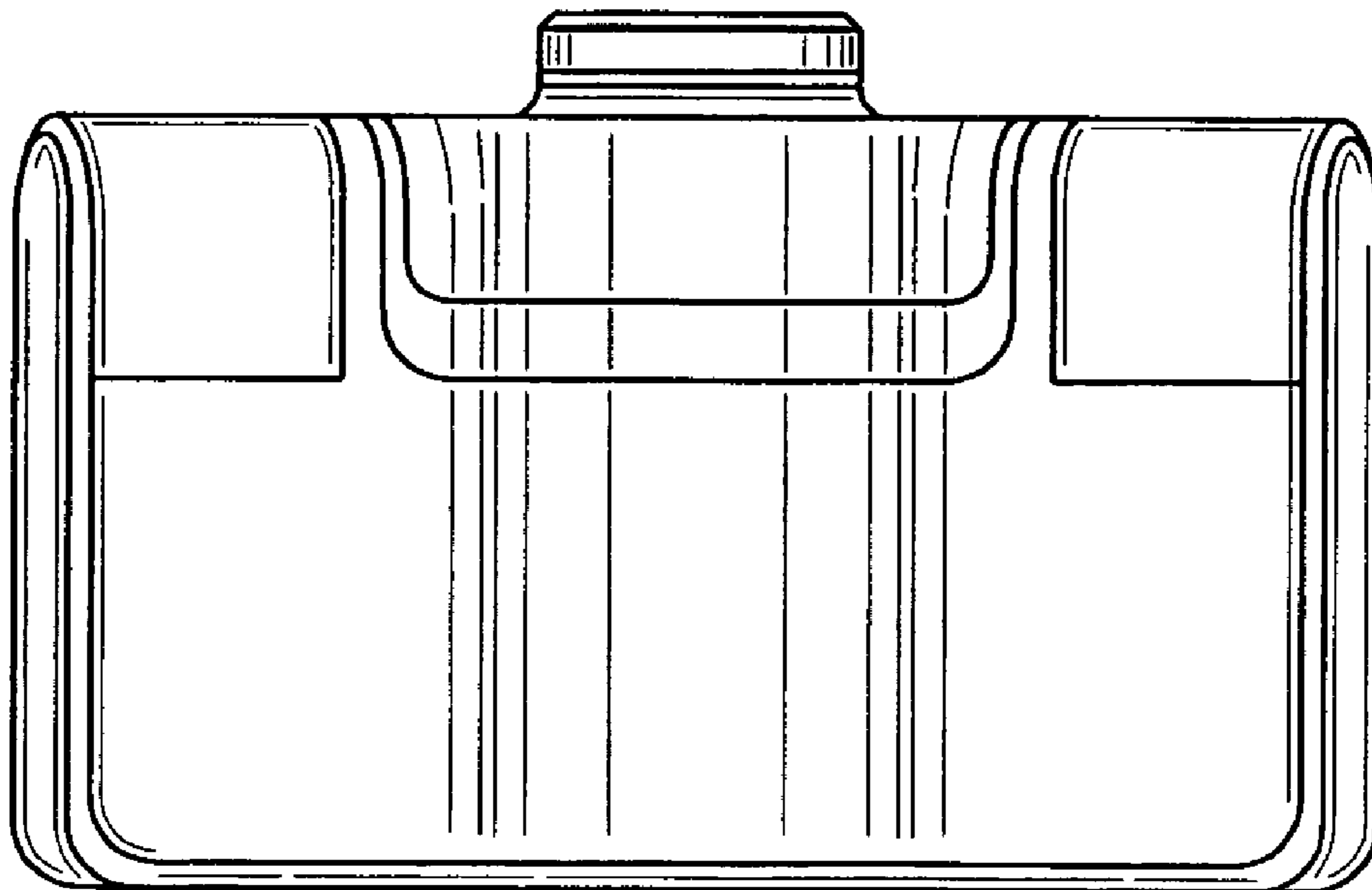
*FIG. 2*



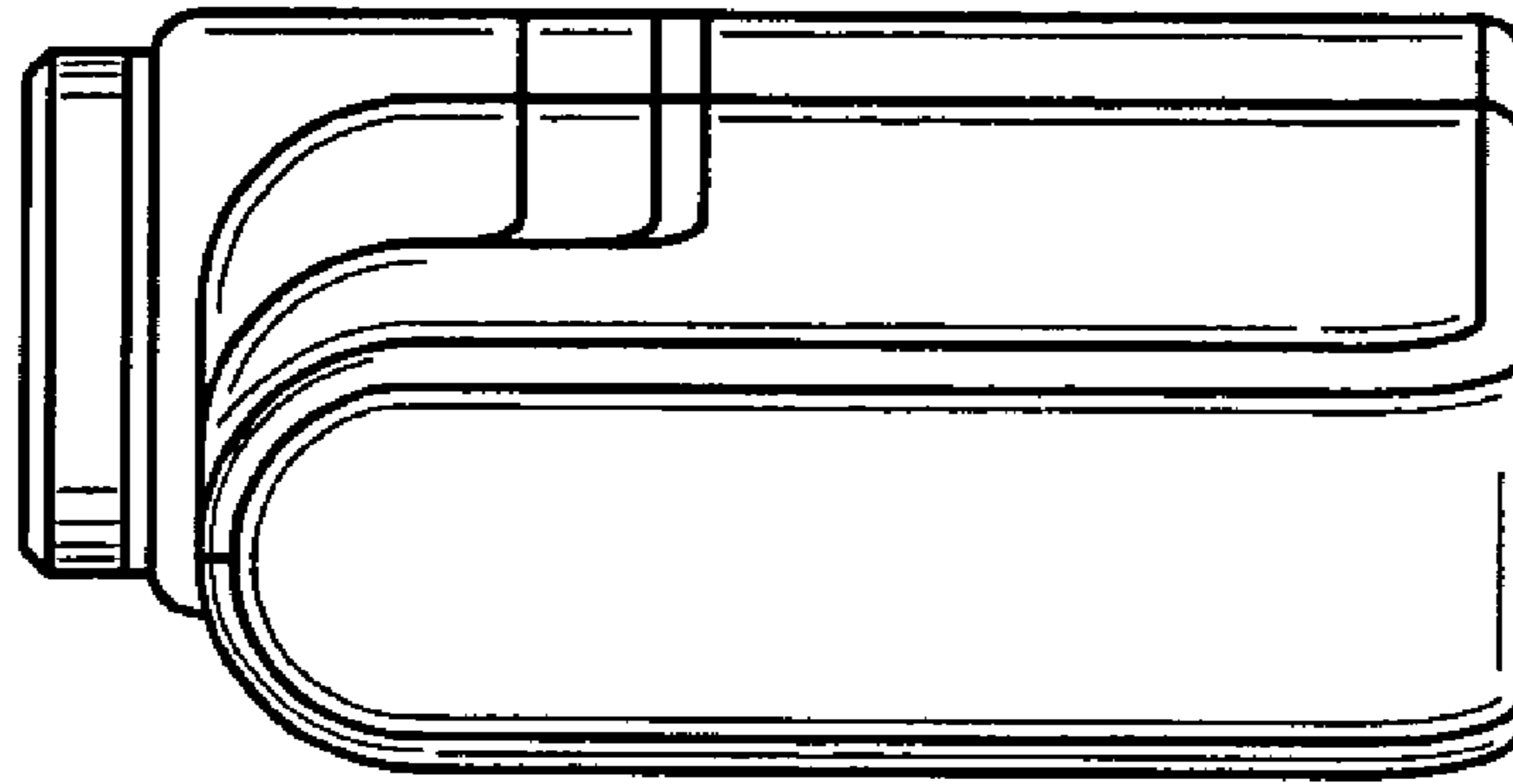
*FIG. 3*



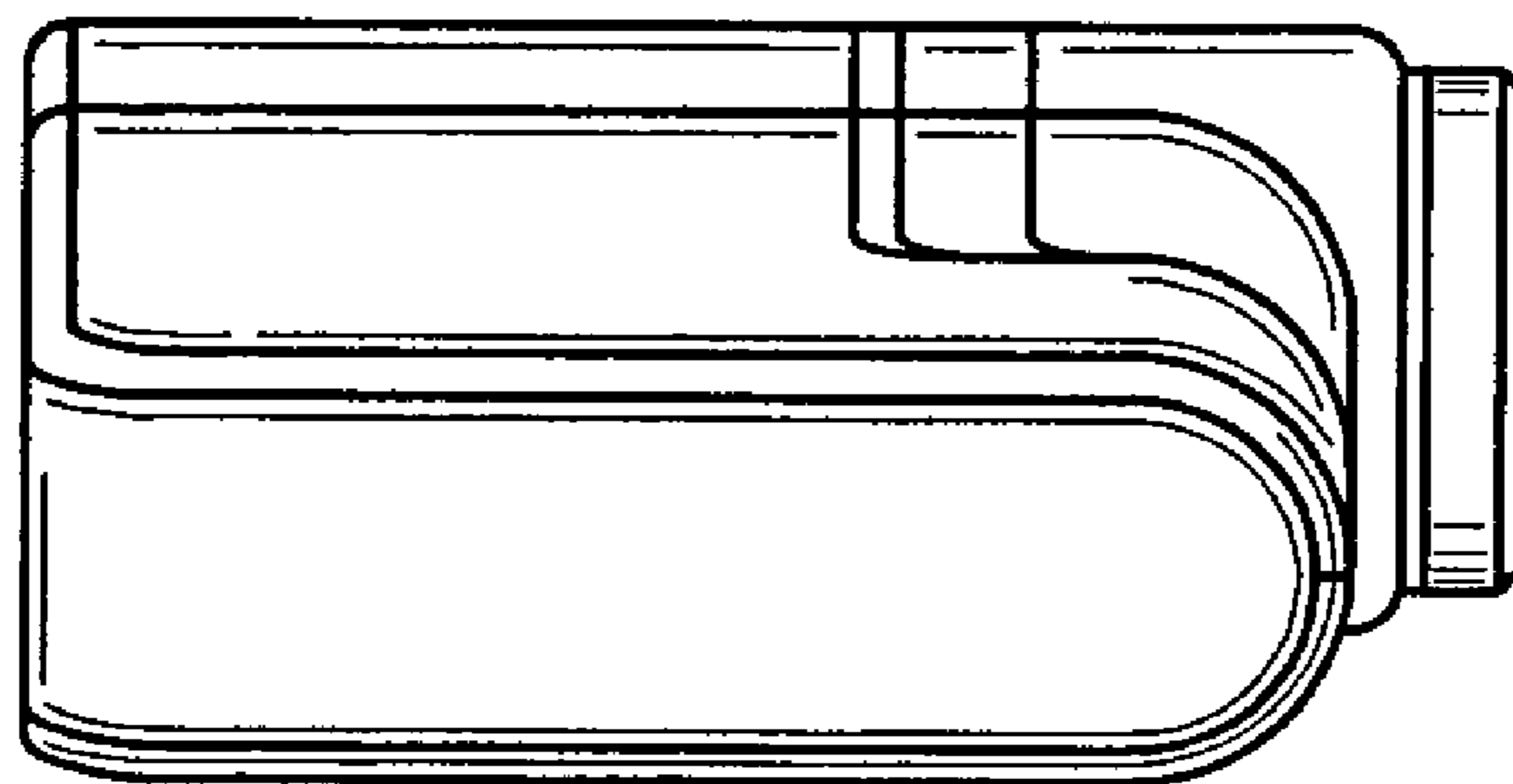
*FIG. 4*



*FIG. 5*



*FIG. 6*



*FIG. 7*