

US00D546355S

(12) **United States Design Patent**
Apothéloz

(10) **Patent No.:** **US D546,355 S**

(45) **Date of Patent:** **** Jul. 10, 2007**

(54) **MICROSCOPE**

(75) Inventor: **Christophe Apothéloz**, Zurich (CH)

(73) Assignee: **Leica Microsystems (Schweiz) AG**,
Heerbrugg (CH)

(**) Term: **14 Years**

(21) Appl. No.: **29/259,736**

(22) Filed: **May 15, 2006**

(30) **Foreign Application Priority Data**

Nov. 22, 2005 (EM) 000434956-0001

(51) **LOC (8) Cl.** **16-06**

(52) **U.S. Cl.** **D16/131**

(58) **Field of Classification Search** D16/130,
D16/131, 134; 359/375, 376, 377, 378, 379,
359/381, 382, 383, 385, 368, 388, 390, 392,
359/393, 801; D21/483; 396/326

See application file for complete search history.

(56) **References Cited**

U.S. PATENT DOCUMENTS

2,967,456 A * 1/1961 Maier 396/326
3,260,157 A * 7/1966 Boughton 359/379
4,168,881 A * 9/1979 Rosenberger 359/381
D273,592 S * 4/1984 Armbruster D16/131

D355,430 S * 2/1995 Hofmann-Igl D16/131
D423,029 S * 4/2000 Kawahata D16/131
D439,258 S * 3/2001 Kawahata D16/131
D440,996 S * 4/2001 Takanashi D16/131

* cited by examiner

Primary Examiner—Paula A. Greene

(74) *Attorney, Agent, or Firm*—Simpson & Simpson, PLLC

(57) **CLAIM**

The ornamental design for a microscope, as shown and described.

DESCRIPTION

FIG. 1 is a perspective view of a microscope of the present invention;

FIG. 2 is a right side elevational view of the microscope of FIG. 1;

FIG. 3 is a left side elevational view of the microscope of FIG. 1;

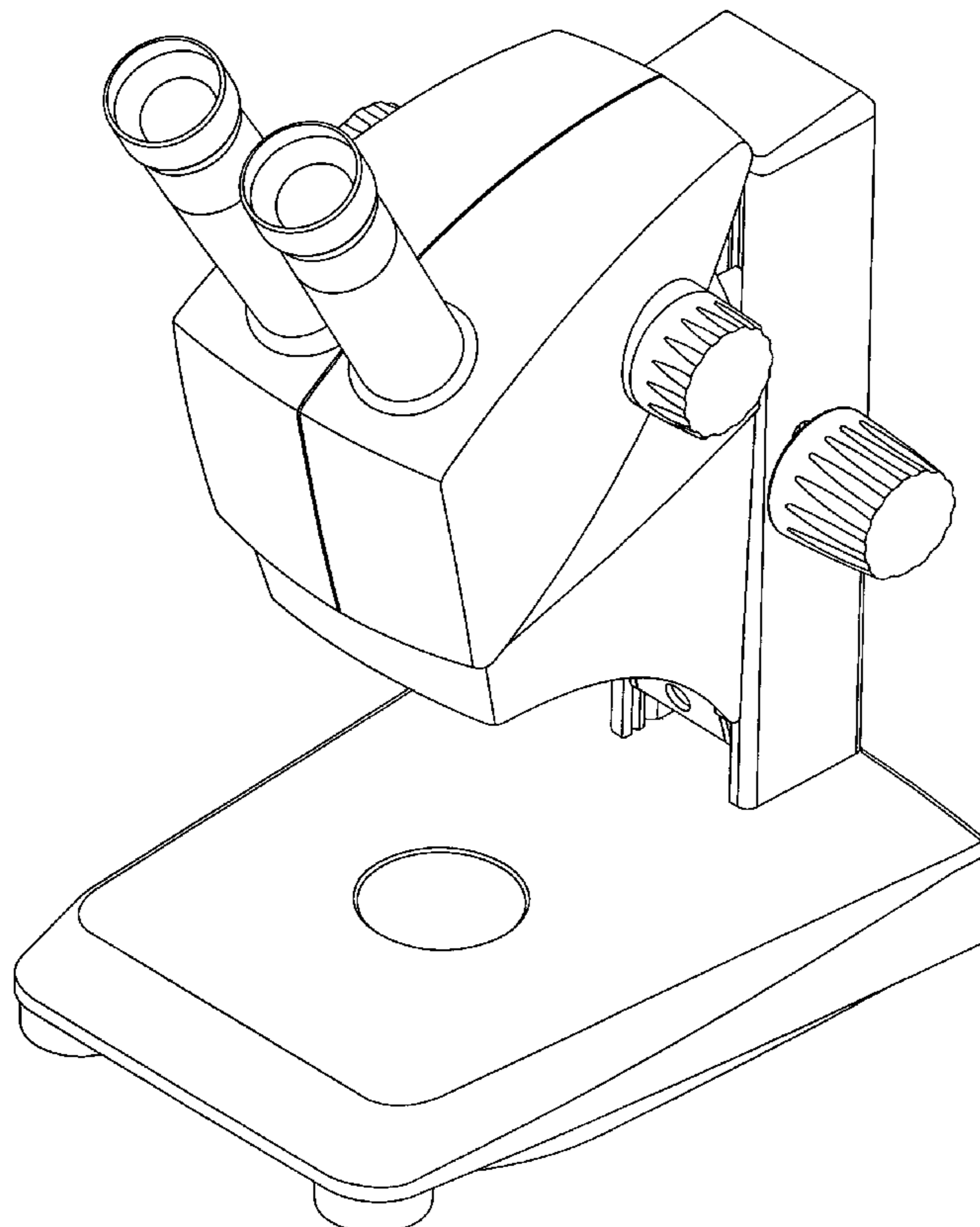
FIG. 4 is a front plan elevational view of the microscope of FIG. 1;

FIG. 5 is a rear plan elevational view of the microscope of FIG. 1;

FIG. 6 is a top plan view of the microscope of FIG. 1; and,

FIG. 7 is a bottom plan view of the microscope of FIG. 1.

1 Claim, 7 Drawing Sheets



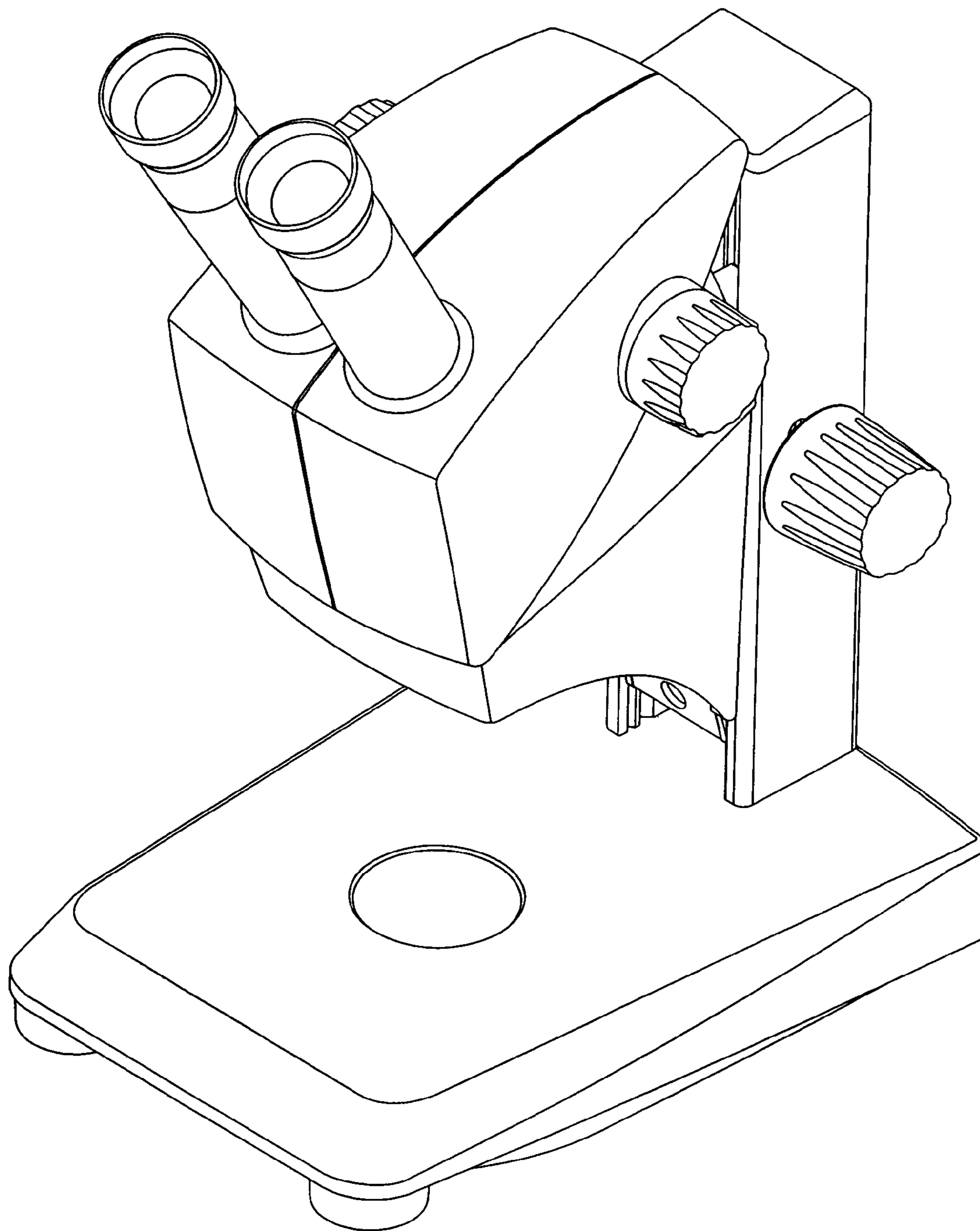


Fig. 1

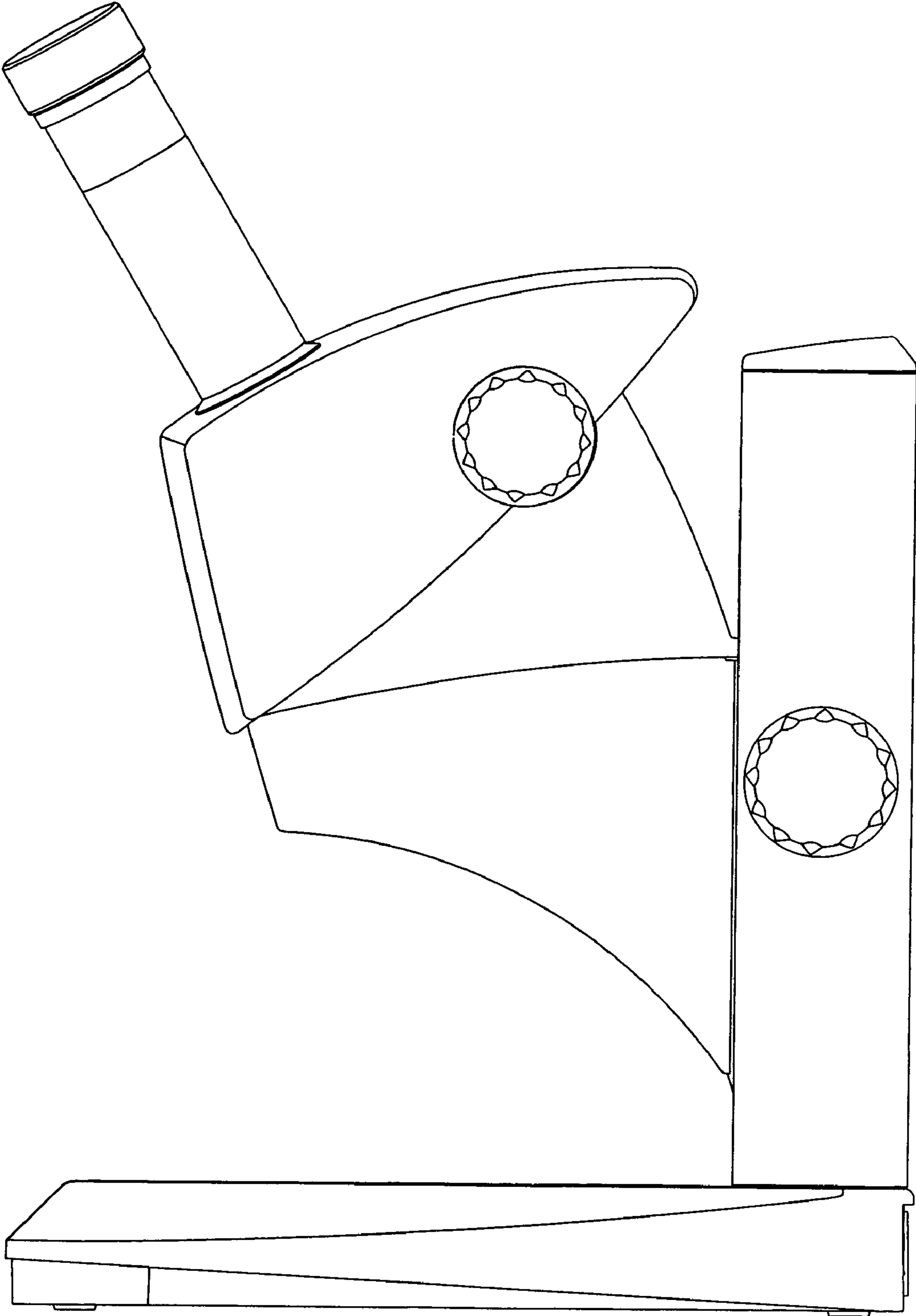


Fig. 2

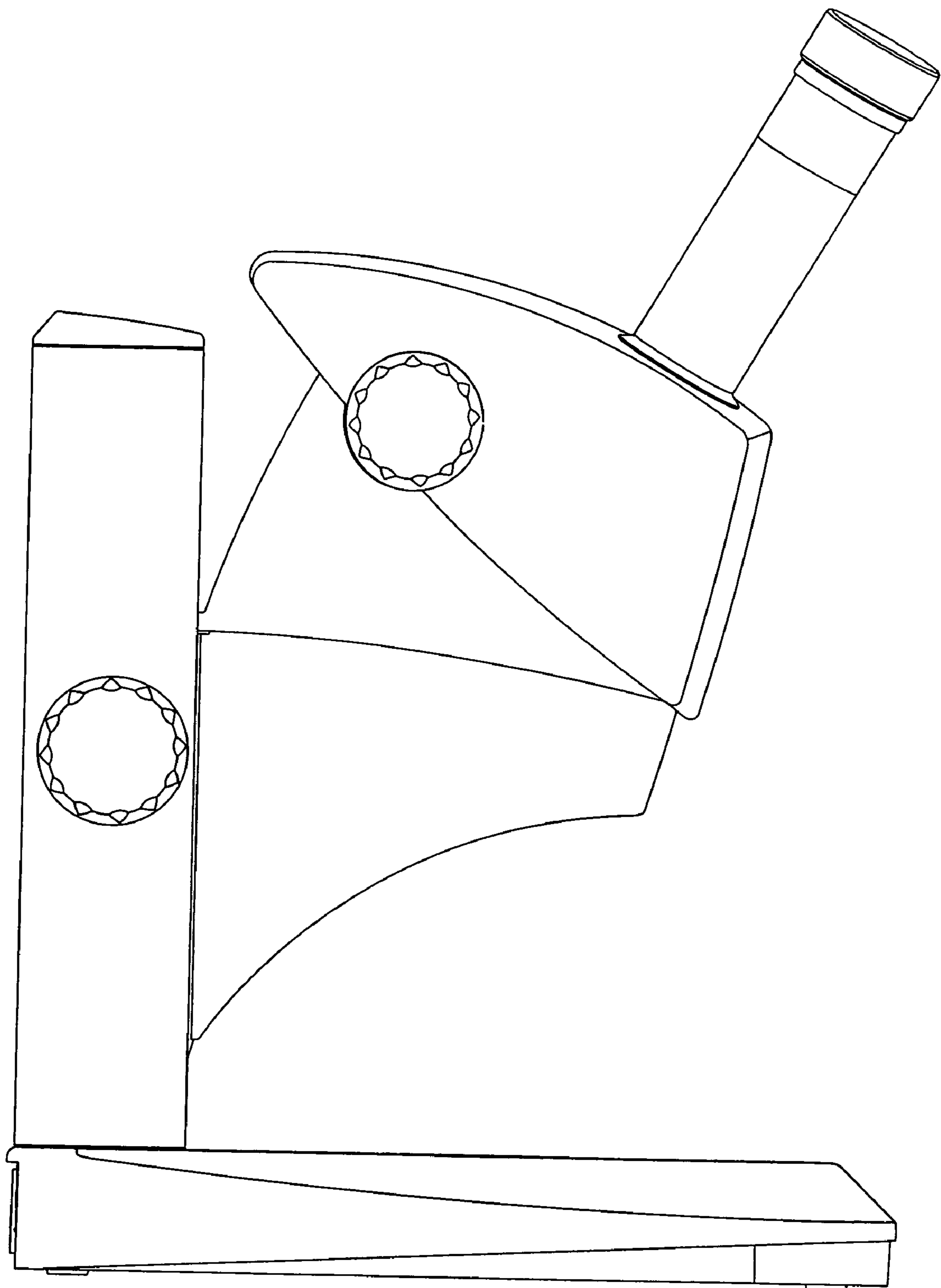


Fig. 3

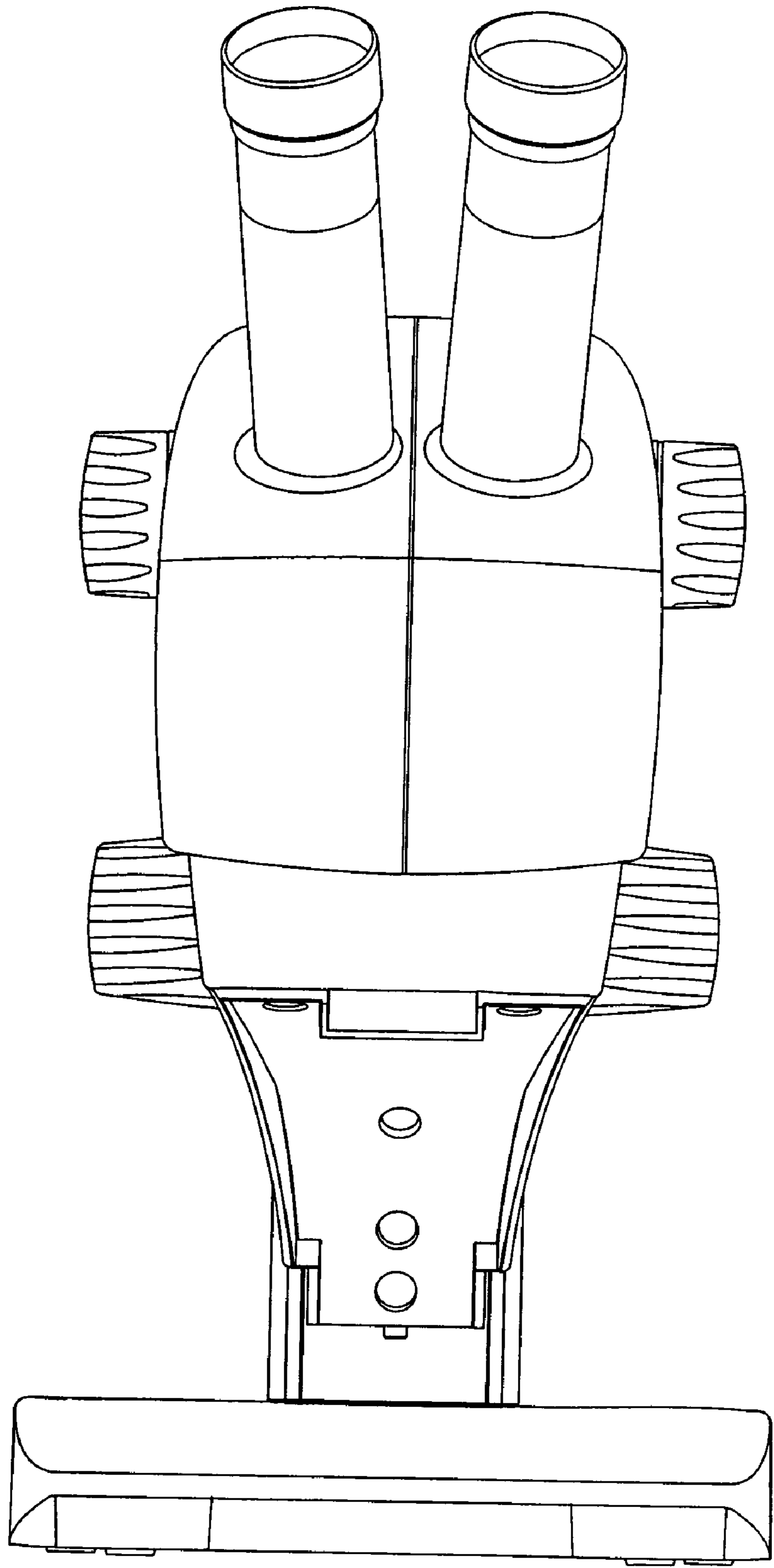


Fig. 4

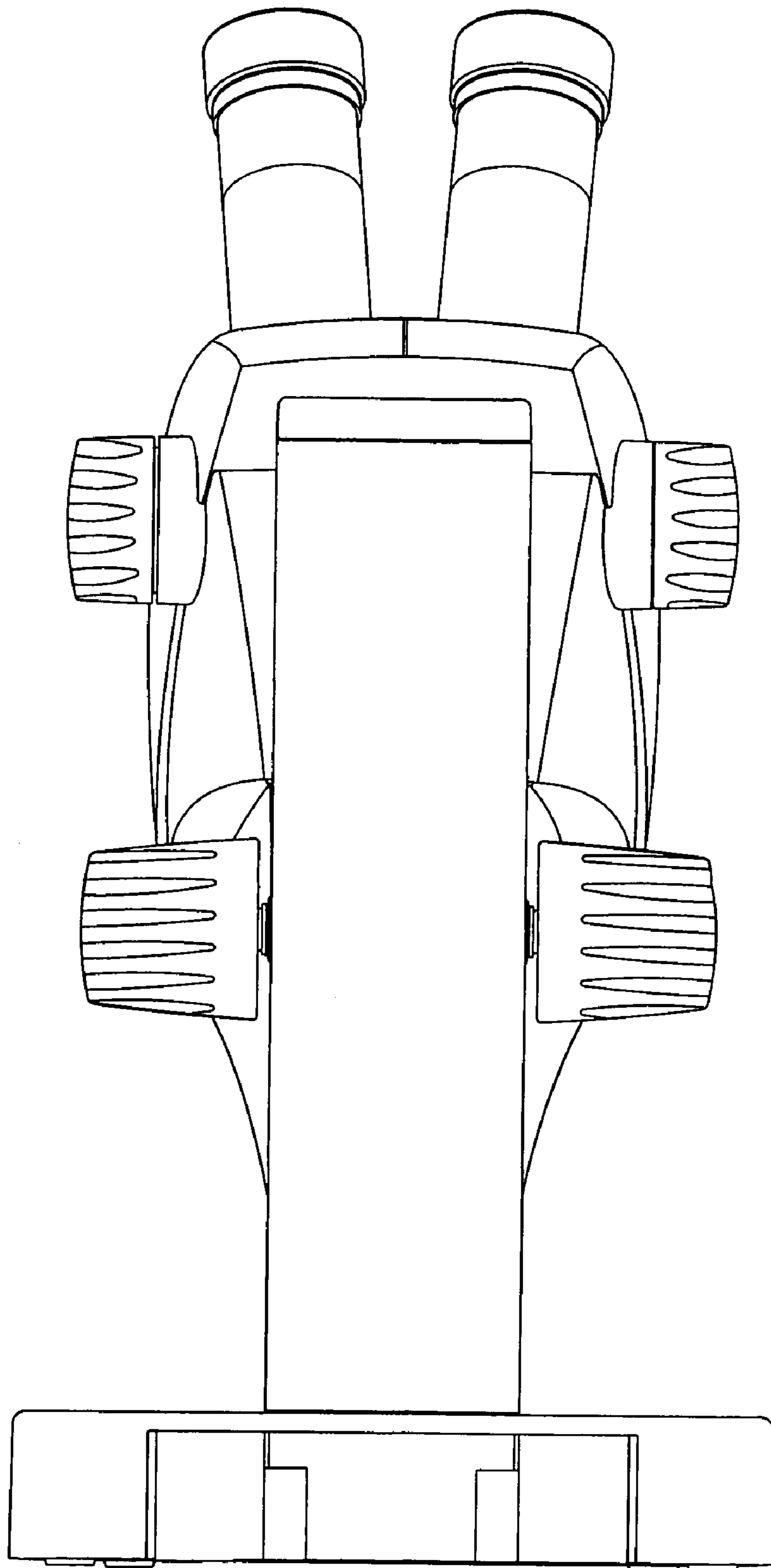


Fig. 5

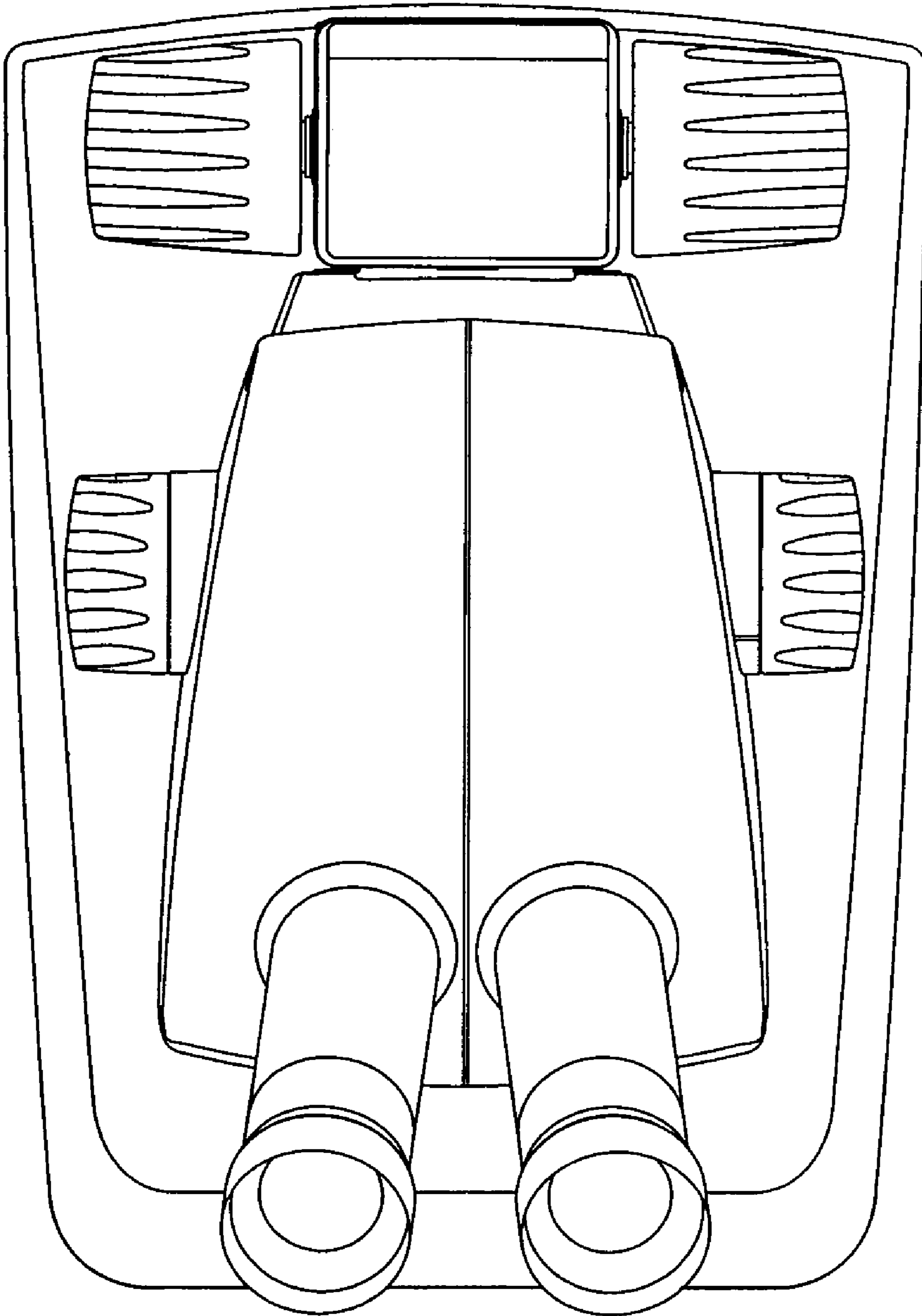


Fig. 6

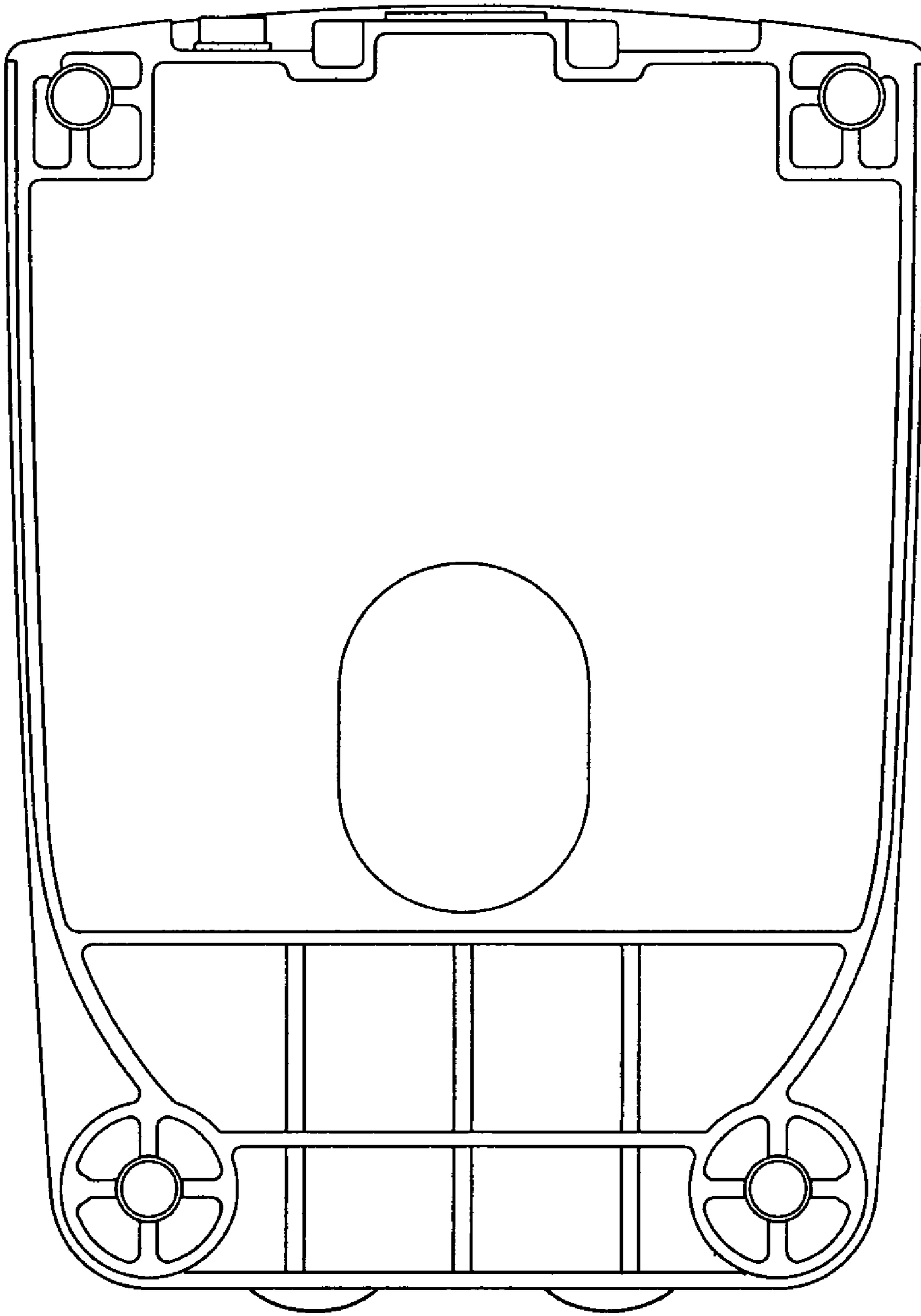


Fig. 7