



US00D546352S

(12) **United States Design Patent**
Tsou et al.

(10) **Patent No.:** **US D546,352 S**

(45) **Date of Patent:** **** Jul. 10, 2007**

(54) **CONTROL BOX OF ACTUATOR**

D502,474 S * 3/2005 Raarup D15/143

(75) Inventors: **Wen-Chia Tsou**, Taichung (TW);
Cheng-Han Tsai, Taichung (TW)

* cited by examiner

(73) Assignee: **Hiwin Mikrosystem Corp.**, Taichung
(TW)

Primary Examiner—Antoine D. Davis

Assistant Examiner—Patricia Palasik

(74) *Attorney, Agent, or Firm*—Banger Shia

(**) Term: **14 Years**

(57) **CLAIM**

(21) Appl. No.: **29/250,494**

The ornamental design for a control box of actuator, as shown and described.

(22) Filed: **Nov. 17, 2006**

(51) **LOC (8) Cl.** **15-09**

(52) **U.S. Cl.** **D15/143**

(58) **Field of Classification Search** D13/164;
D15/143, 199; 74/73.12, 89.15, 335, 411.5,
74/490.09; 91/61, 136, 451; 297/14, 325,
297/327; 310/20, 80

See application file for complete search history.

DESCRIPTION

FIG. 1 is a perspective view of a control box of actuator showing my new design;

FIG. 2 is a front elevational view thereof;

FIG. 3 is a rear elevational view thereof,

FIG. 4 is a left side elevational view thereof,

FIG. 5 is a right side elevational view thereof,

FIG. 6 is a top plan view thereof; and,

FIG. 7 is a bottom plan view to that shown.

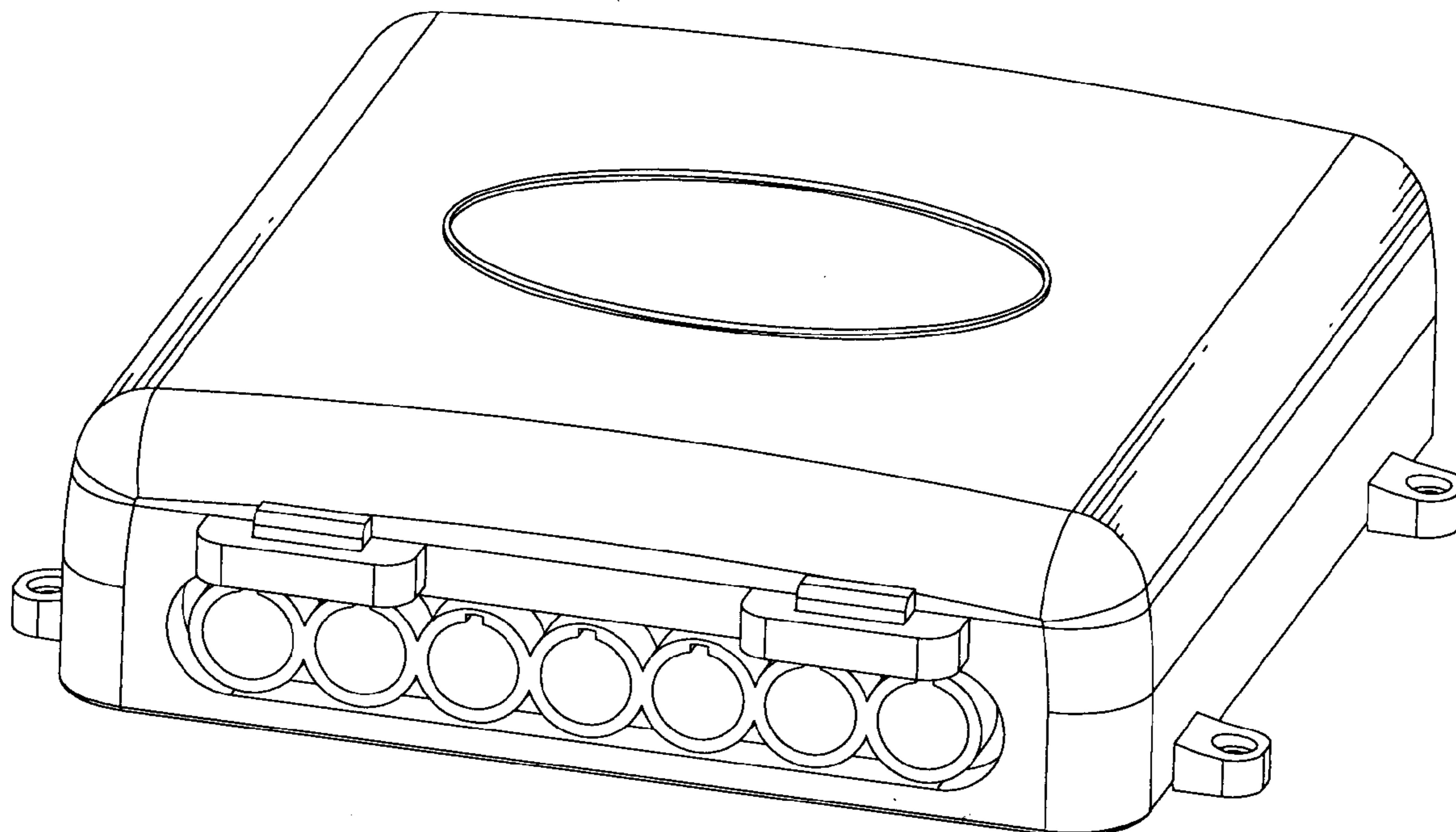
(56) **References Cited**

U.S. PATENT DOCUMENTS

D434,054 S * 11/2000 Luke D15/199

D465,797 S * 11/2002 Landerholm et al. D15/143

1 Claim, 7 Drawing Sheets



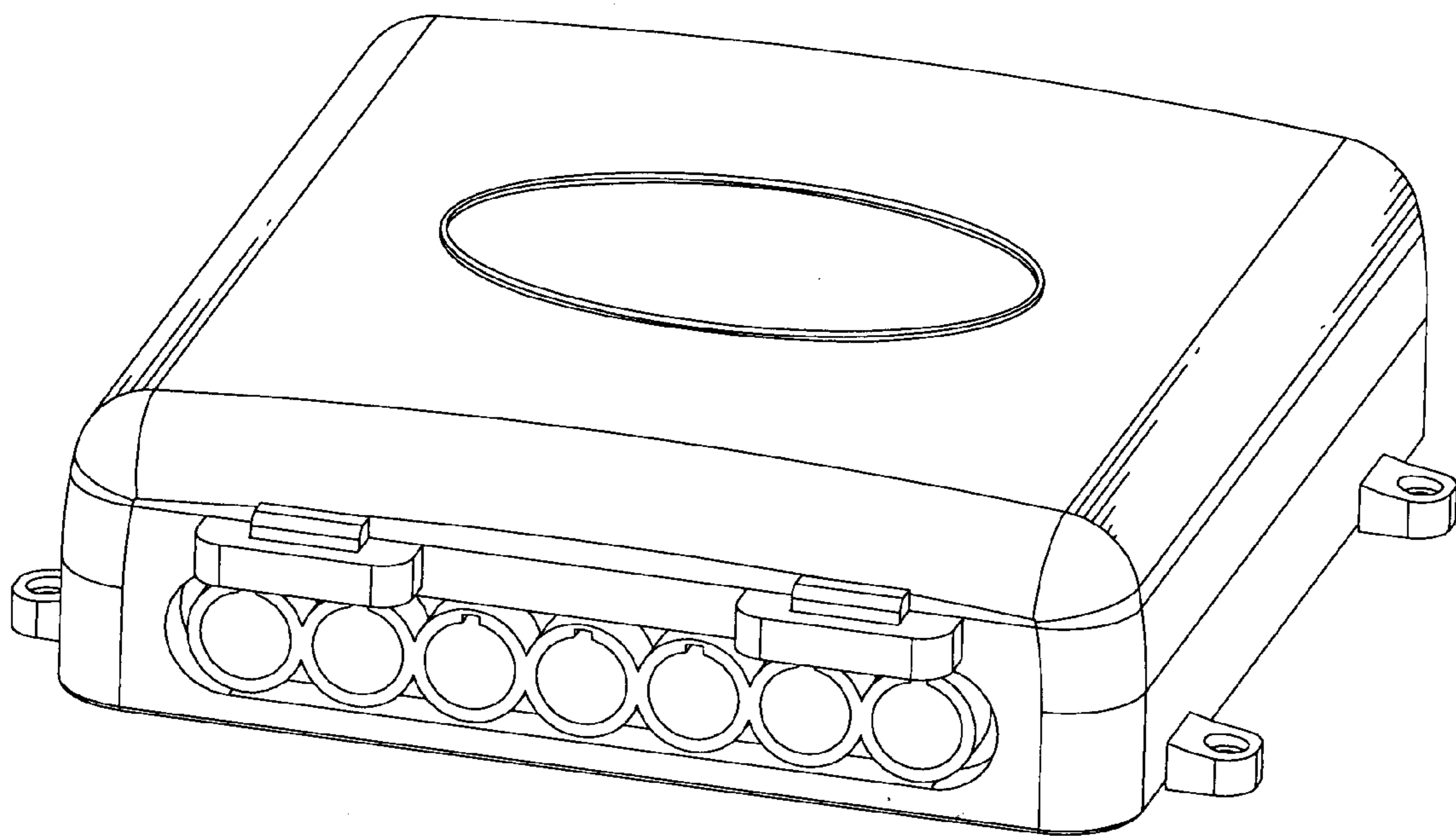


FIG. 1

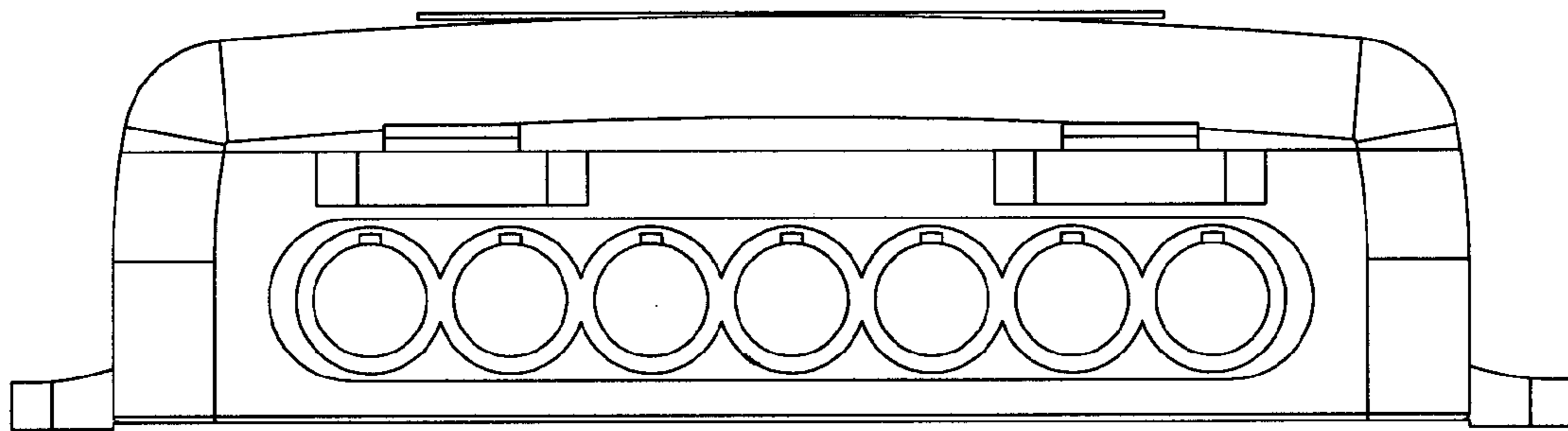


FIG. 2

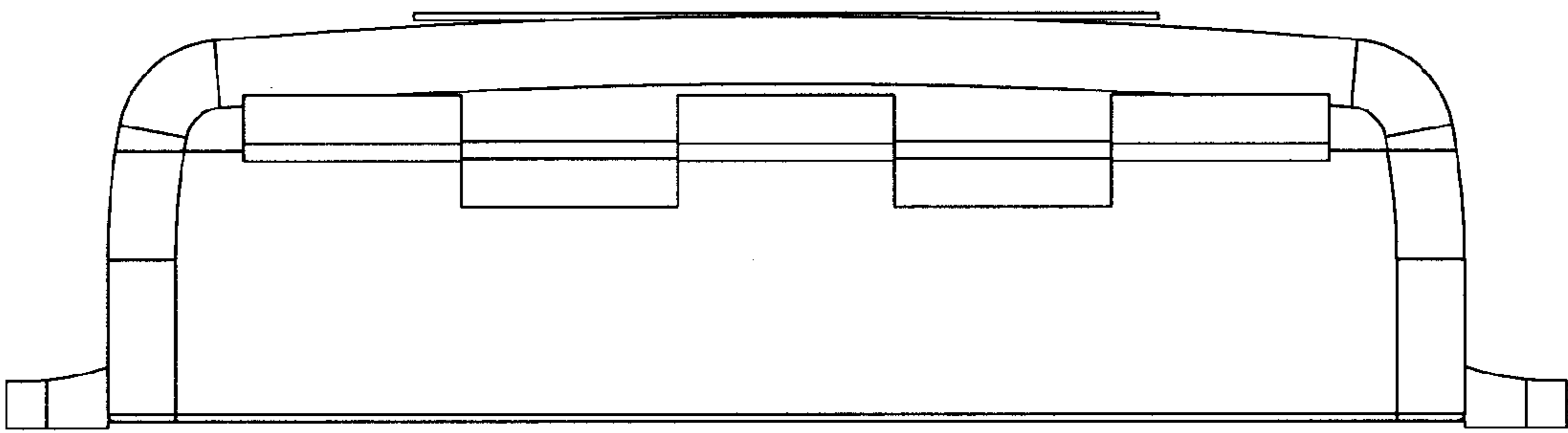


FIG. 3

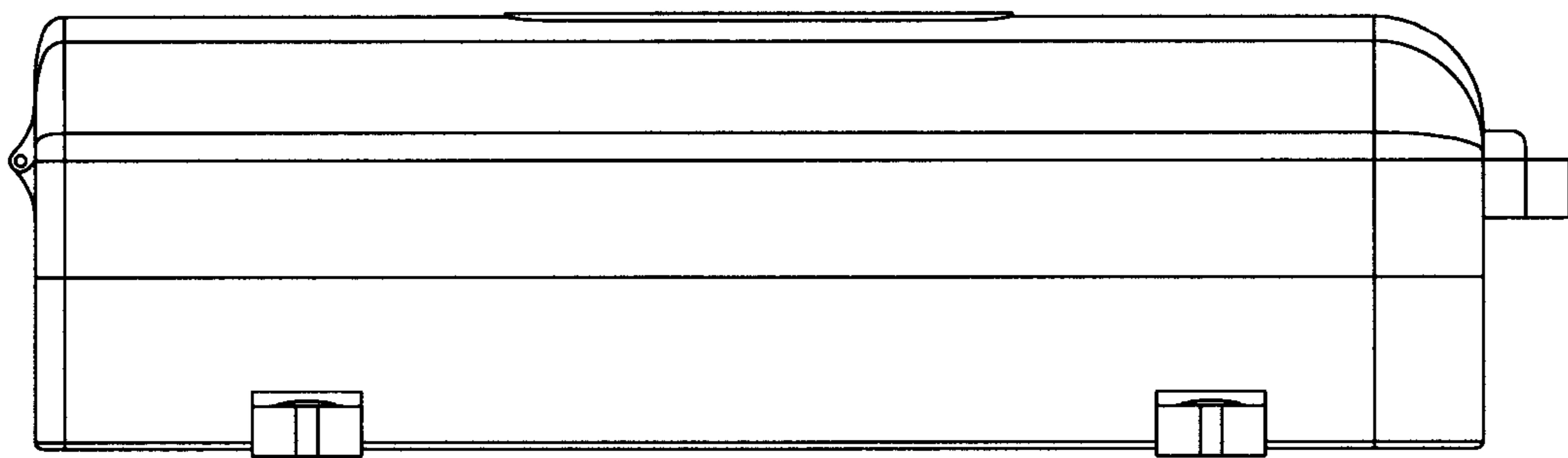


FIG. 4

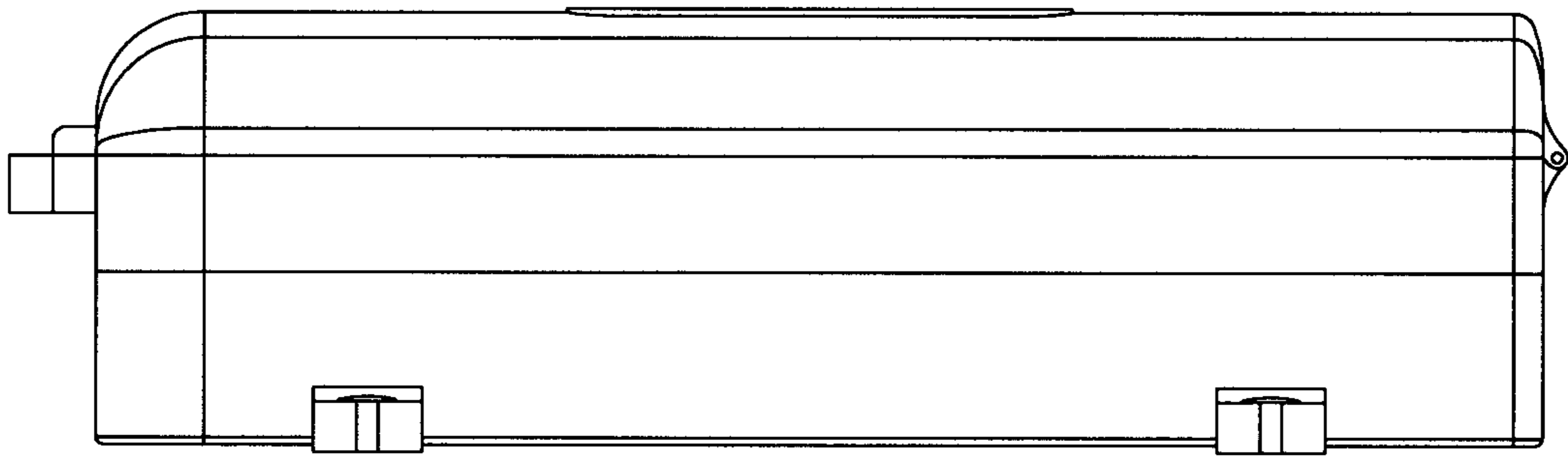


FIG. 5

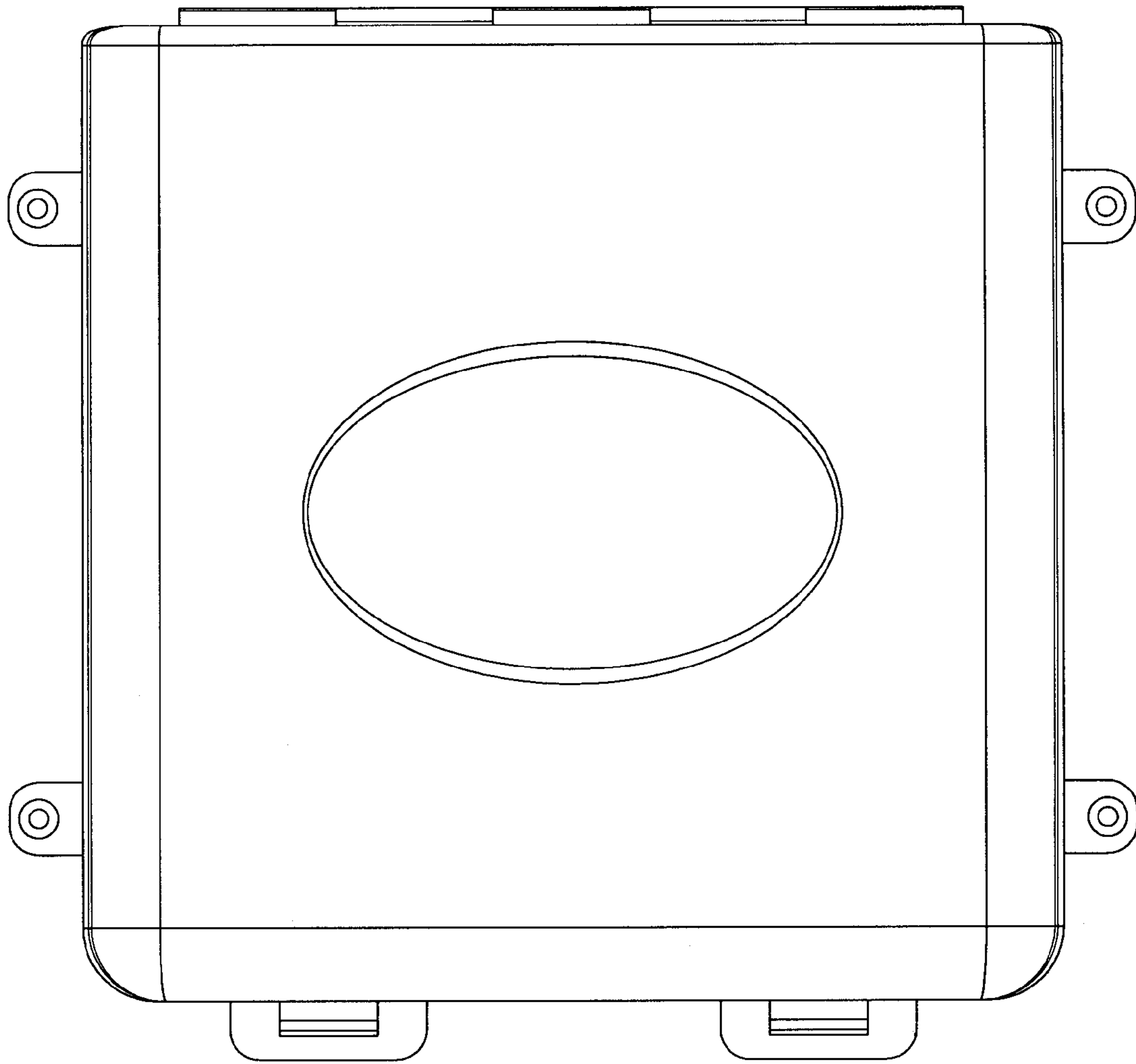


FIG. 6

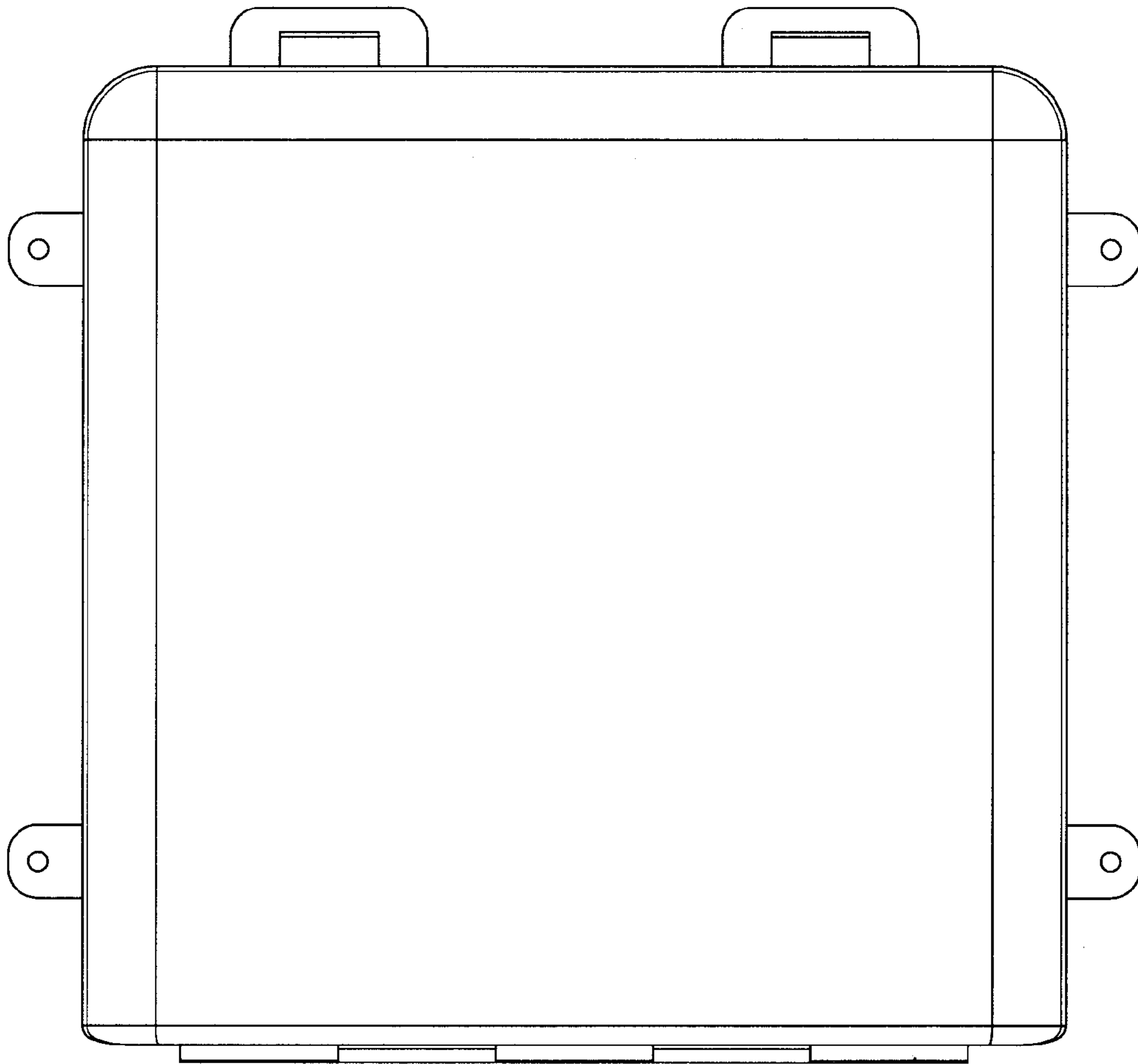


FIG. 7