

US00D546351S

(12) **United States Design Patent**
Arthur et al.

(10) **Patent No.:** **US D546,351 S**

(45) **Date of Patent:** **** Jul. 10, 2007**

(54) **TRACTOR FRONT END**

(75) Inventors: **John Raymond Arthur**, Grovetown, GA (US); **Paul Michael Elhardt**, Evans, GA (US); **Stephen Gerard Miggels**, Wyckoff, NJ (US); **Alberto Mantilla**, Rego Park, NY (US); **Anthony John Baxter**, New York, NY (US)

(73) Assignee: **Deere & Company**, Moline, IL (US)

(**) Term: **14 Years**

(21) Appl. No.: **29/202,682**

(22) Filed: **Apr. 2, 2004**

(51) **LOC (8) Cl.** **15-03**

(52) **U.S. Cl.** **D15/31**

(58) **Field of Classification Search** D15/31,
D15/10, 11, 15, 17, 28, 22-26; D12/173;
D25/142, 156, 47; 180/89.1, 89.12, 900,
180/68.1, 69.1, 69.2

See application file for complete search history.

(56) **References Cited**

U.S. PATENT DOCUMENTS

D310,374 S	9/1990	Westimayer et al.	D15/15
D311,543 S	10/1990	Hardzinski et al.	D15/17
D329,242 S	9/1992	Holm et al.	D15/17
D339,357 S	9/1993	Teal et al.	D15/17
D354,756 S	* 1/1995	Hinklin	D15/15
D365,573 S	12/1995	Westimayer et al.	D15/17
D365,574 S	12/1995	Westimayer et al.	D15/17
D371,372 S	7/1996	Westimayer et al.	D15/31

D381,341 S	7/1997	Goebert et al.	D15/31
D383,470 S	9/1997	Westimayer et al.	D15/31
D406,594 S	3/1999	Miller et al.	D15/31
D410,012 S	5/1999	Goebert et al.	D15/31
D411,330 S	6/1999	Goebert et al.	D26/139
D427,205 S	* 6/2000	Shimizu	D15/23
D441,469 S	5/2001	Goebert et al.	D26/28
D447,492 S	9/2001	Goebert et al.	D15/31
D448,037 S	9/2001	Westimayer et al.	D15/31
D458,945 S	6/2002	Hohnl et al.	D15/31
D459,734 S	7/2002	Hohnl et al.	D15/28
D459,735 S	7/2002	Hohnl et al.	D15/31
D459,736 S	7/2002	Hohnl et al.	D15/33
6,447,152 B1	9/2002	Goebert	362/485
D466,531 S	* 12/2002	Hohnl et al.	D15/31
D483,383 S	* 12/2003	Crookes et al.	D15/31
D497,370 S	* 10/2004	Katoh	D15/31

* cited by examiner

Primary Examiner—Stella M. Reid
Assistant Examiner—Mark A. Goodwin

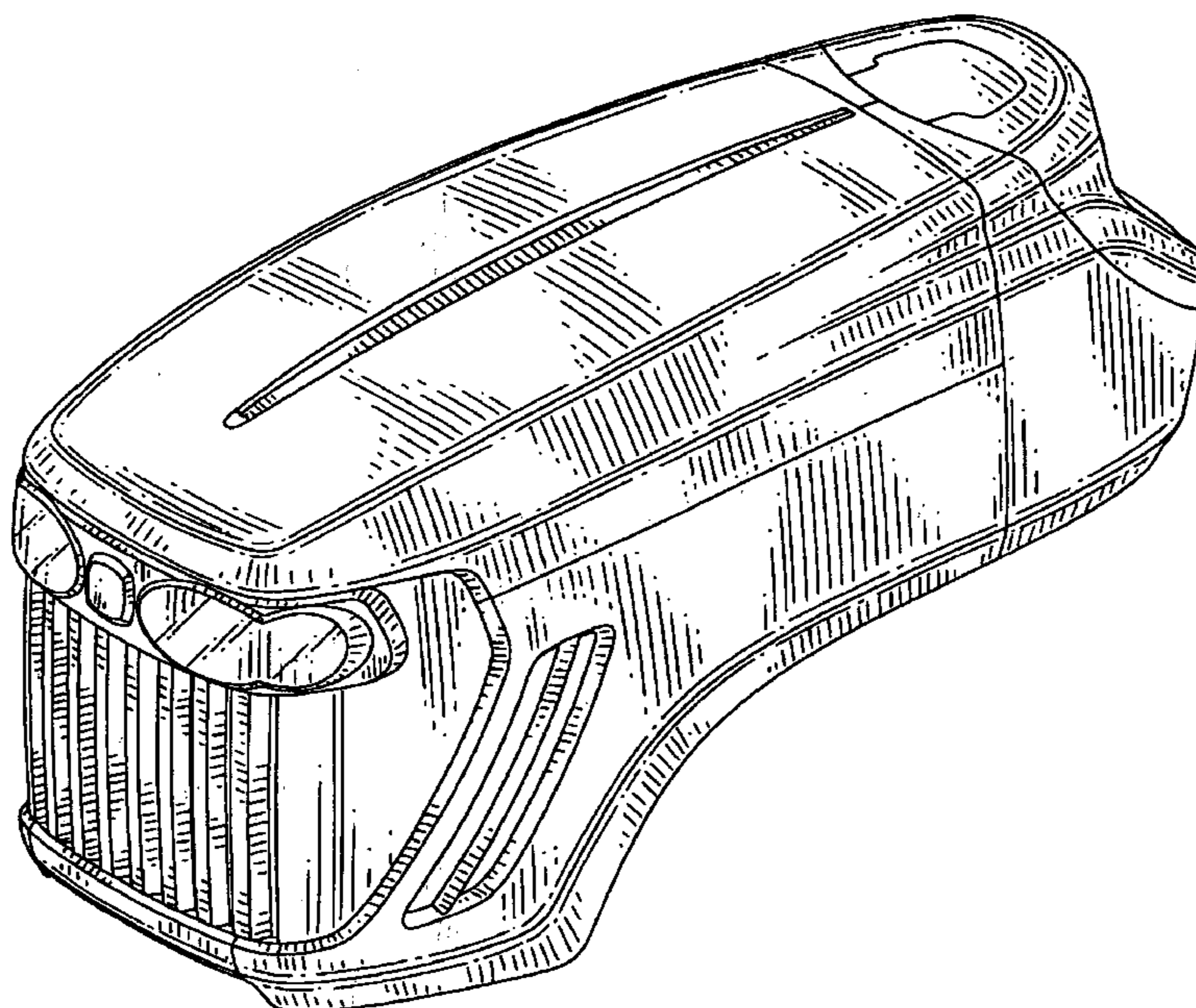
(57) **CLAIM**

The ornamental design for a tractor front end, as shown and described.

DESCRIPTION

FIG. 1 is a front left elevation perspective view of a tractor front end showing our new design. FIG. 2 is a left side view thereof; FIG. 3 is a right side view thereof; FIG. 4 is a top view thereof; FIG. 5 is a bottom view thereof; FIG. 6 is a front view thereof; and, FIG. 7 is a rear view thereof.

1 Claim, 4 Drawing Sheets



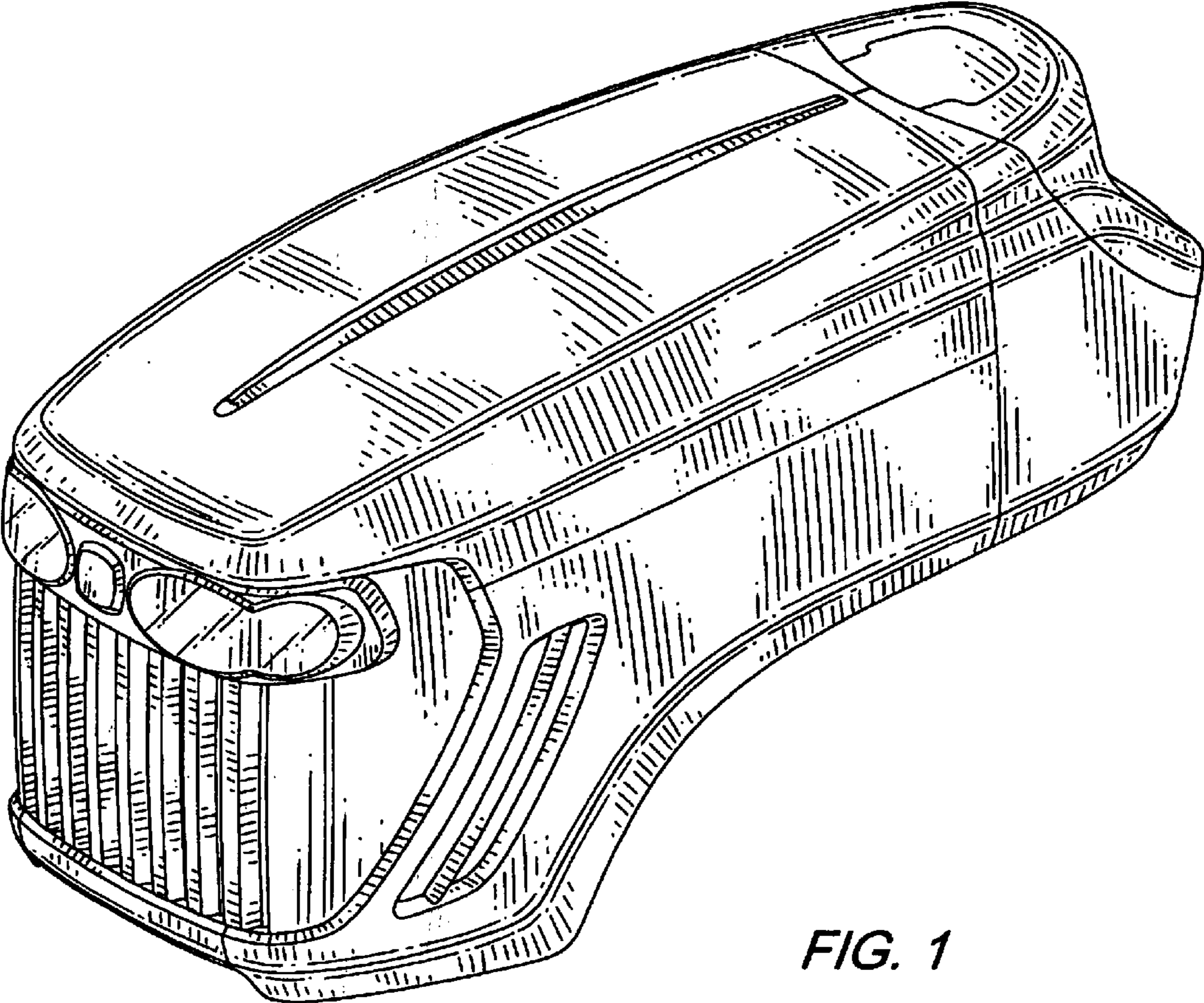


FIG. 1

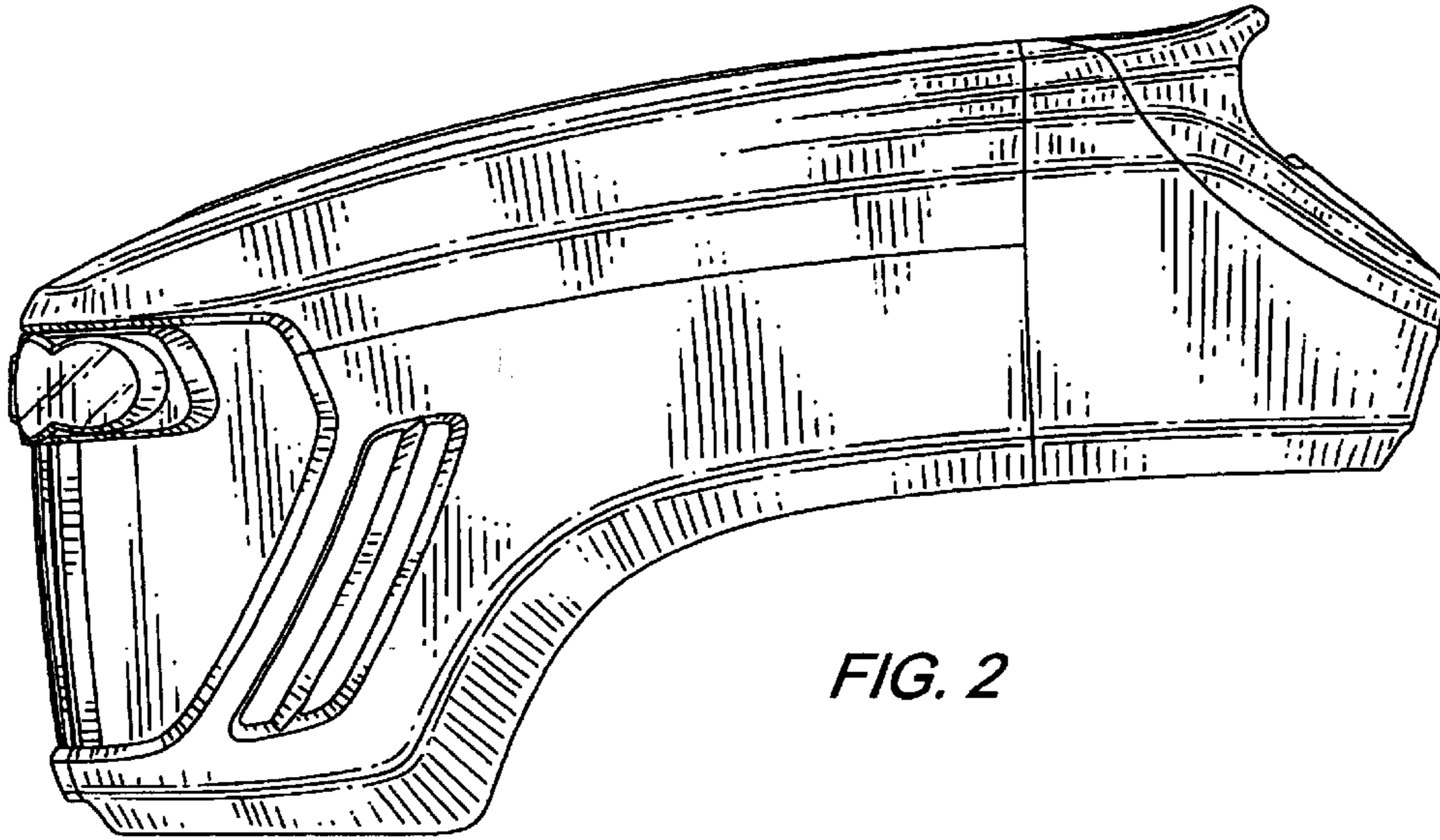


FIG. 2

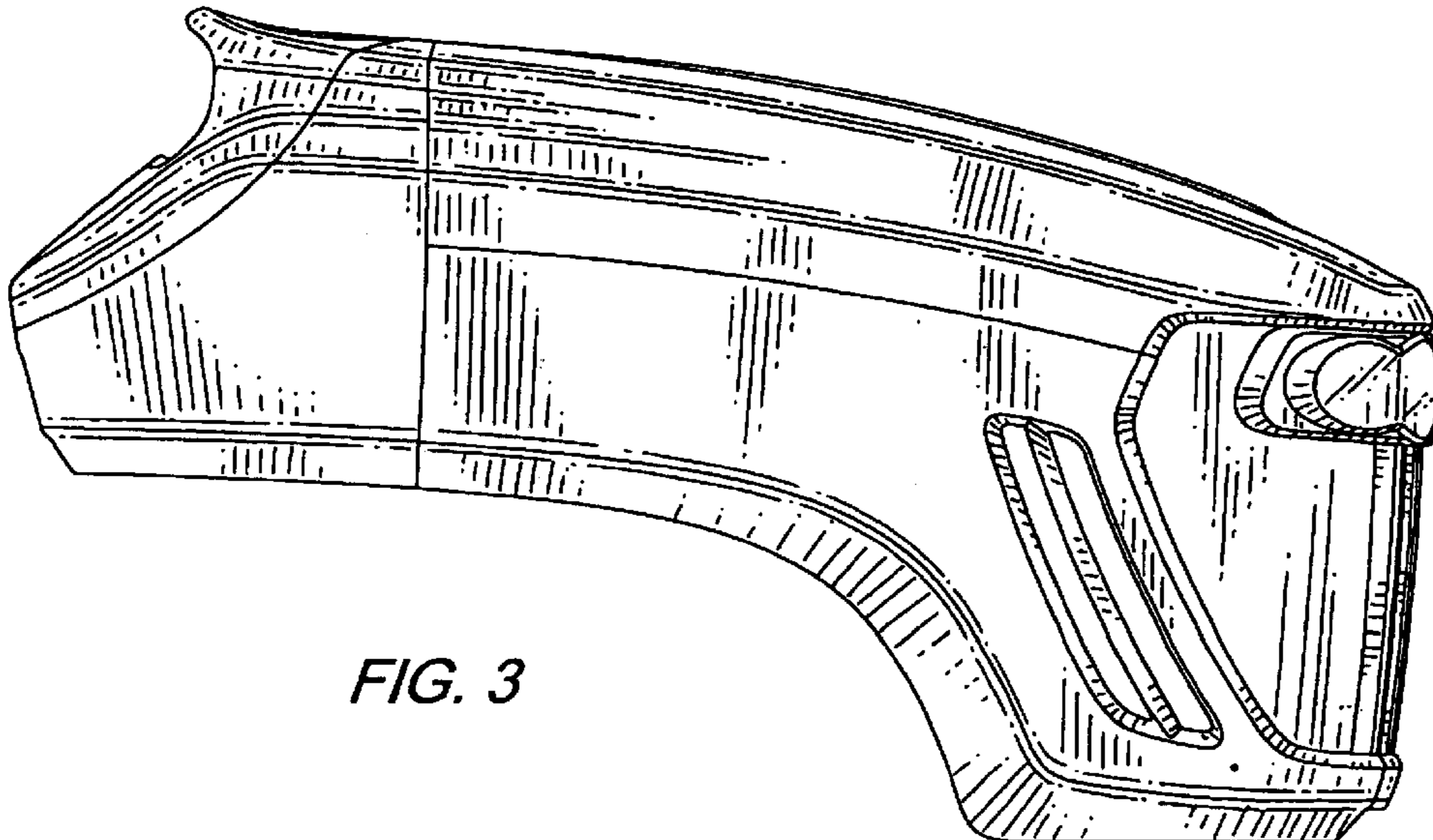


FIG. 3

FIG. 4

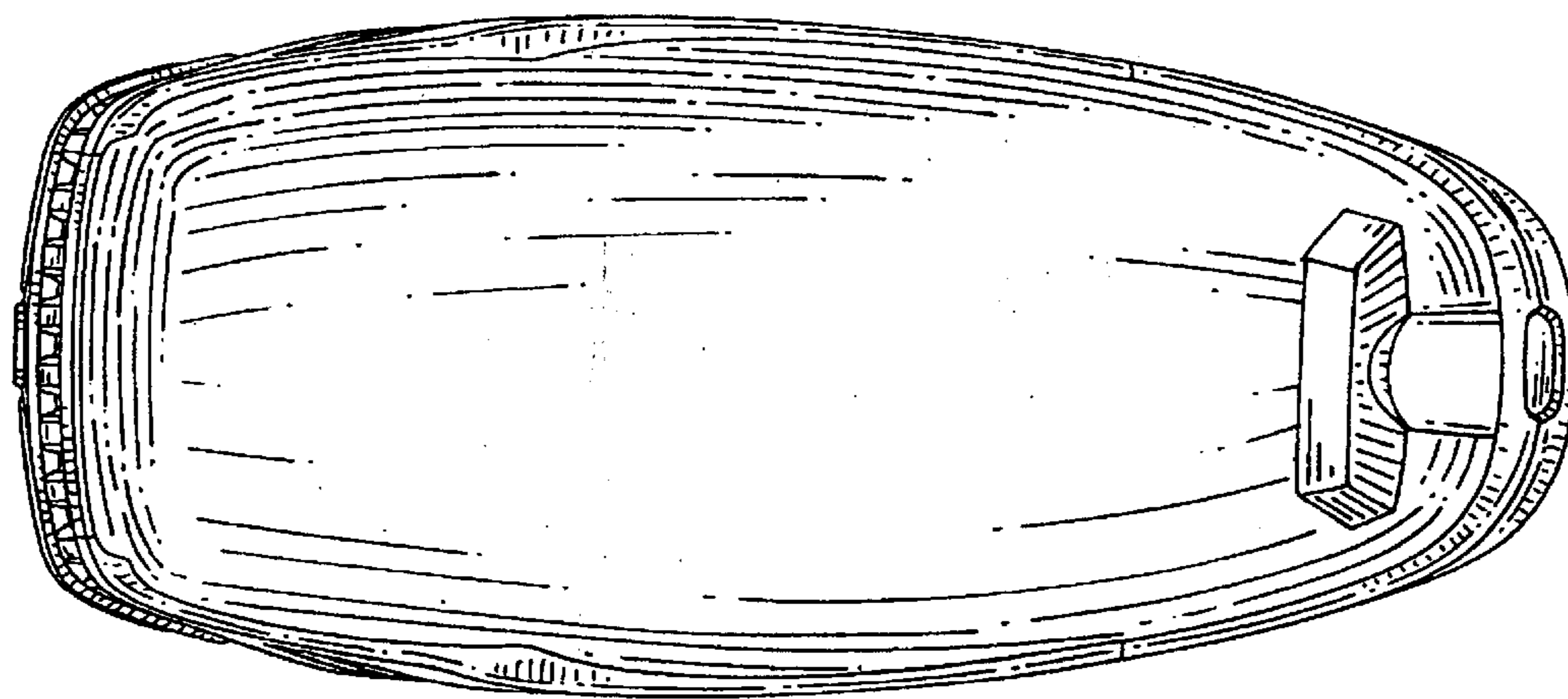
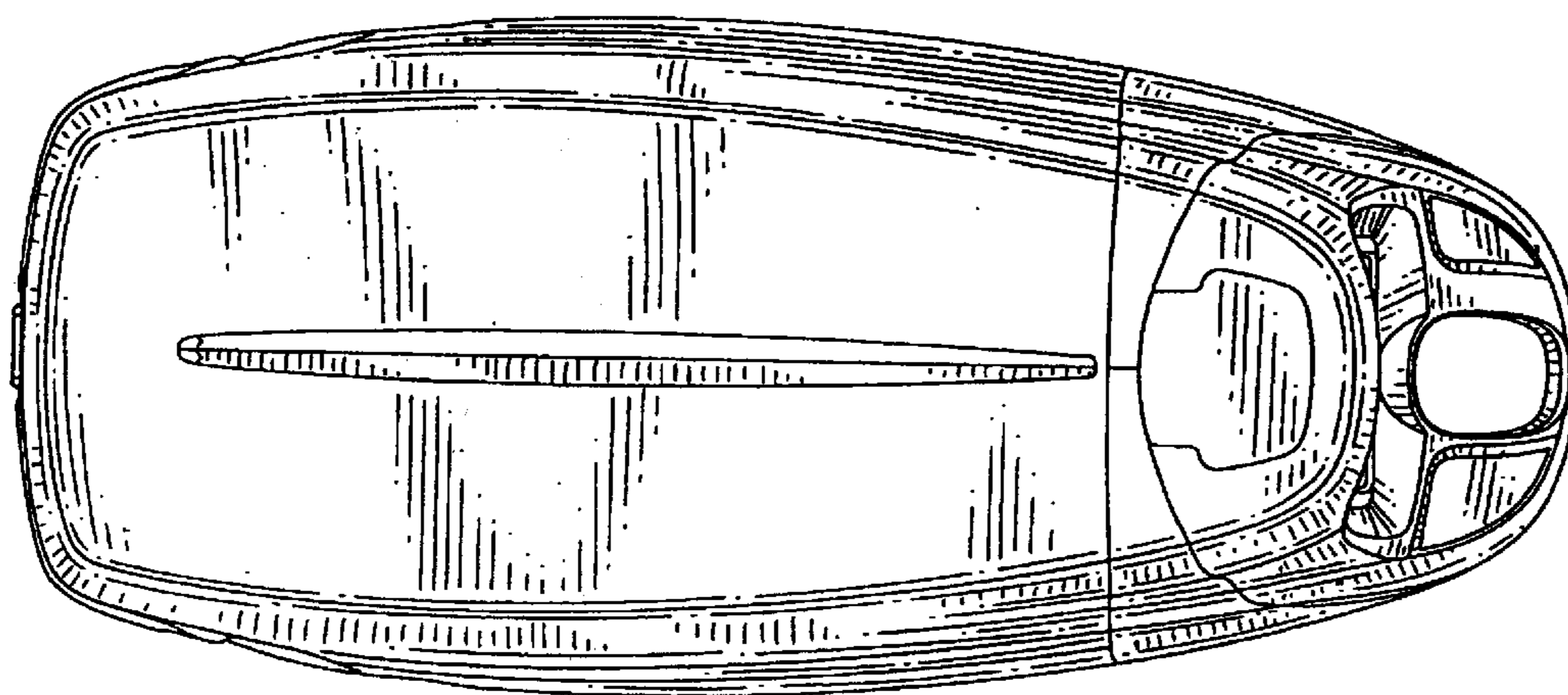


FIG. 5

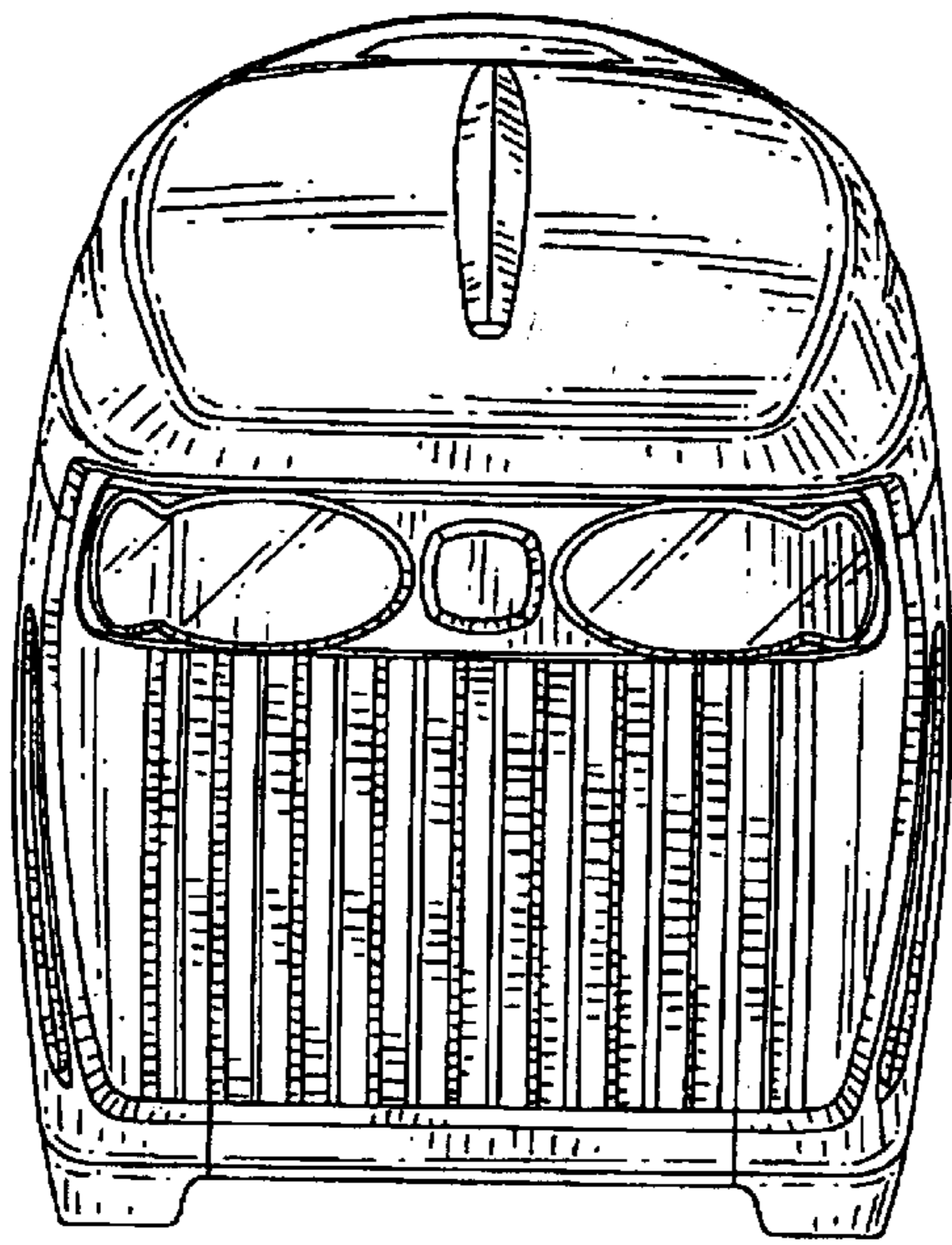


FIG. 6

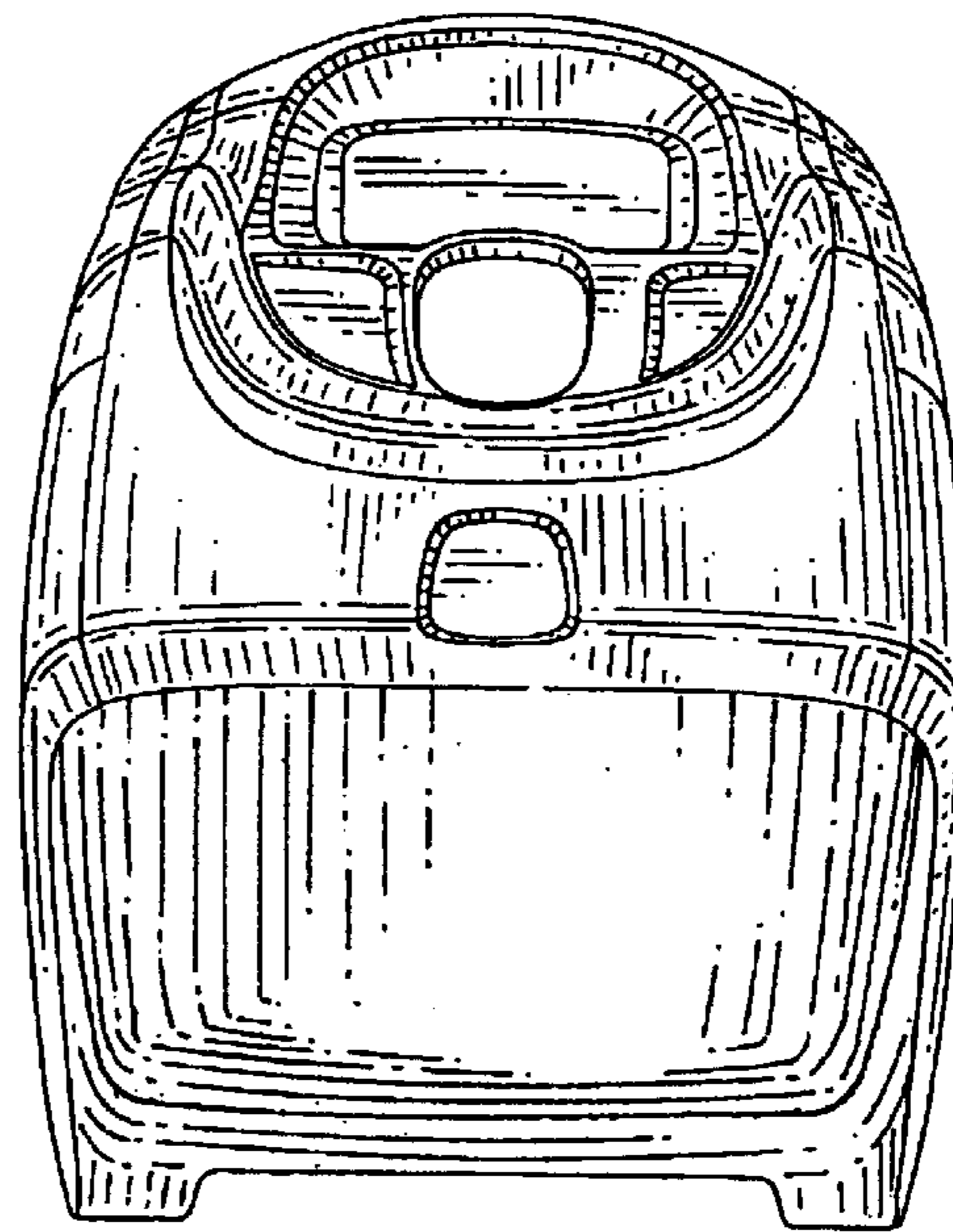


FIG. 7