

US00D546348S

(12) **United States Design Patent**
Yuyama

(10) **Patent No.:** **US D546,348 S**

(45) **Date of Patent:** **** Jul. 10, 2007**

(54) **AUDIO PLAYER**

(75) Inventor: **Yasuo Yuyama**, Tokyo (JP)

(73) Assignee: **Sony Corporation**, Tokyo (JP)

(**) Term: **14 Years**

(21) Appl. No.: **29/258,278**

(22) Filed: **Apr. 20, 2006**

(51) **LOC (8) Cl.** **14-03**

(52) **U.S. Cl.** **D14/496**

(58) **Field of Classification Search** D14/496,
D14/401, 435, 474, 483, 217, 137, 138, 160,
D14/168; 345/156, 169, 173-179, 905; 715/727-729,
715/864; 455/11.1, 773, 344-347, 93, 95;
370/342-344; 369/1, 2, 6, 12; 463/43-47;
273/148 B

See application file for complete search history.

(56) **References Cited**

U.S. PATENT DOCUMENTS

5,100,098	A *	3/1992	Hawkins	248/291.1
6,669,092	B2 *	12/2003	Leanheart et al.	235/462.13
D491,902	S *	6/2004	Chen	D14/126
6,820,138	B2 *	11/2004	Yin	710/2
D503,395	S	3/2005	Hirano		

6,934,568	B2 *	8/2005	Charlier et al.	455/575.3
6,939,157	B2 *	9/2005	Chiu	439/328
D512,073	S *	11/2005	Rodarte	D14/496
D521,016	S *	5/2006	Cummins et al.	D14/486
7,043,044	B2 *	5/2006	Amid-Hozour	381/388
D527,016	S *	8/2006	Millora	D14/496

* cited by examiner

Primary Examiner—Prabhakar Deshmukh

(74) *Attorney, Agent, or Firm*—Rader, Fishman & Grauer PLLC

(57) **CLAIM**

The ornamental design for an audio player, as shown.

DESCRIPTION

FIG. 1 is a perspective view of an audio player showing my new design;

FIG. 2 is a front elevational view thereof;

FIG. 3 is a rear elevational view thereof;

FIG. 4 is a left side elevational view thereof;

FIG. 5 is a right side elevational view thereof;

FIG. 6 is a top plan view thereof; and,

FIG. 7 is a bottom plan view thereof.

1 Claim, 7 Drawing Sheets

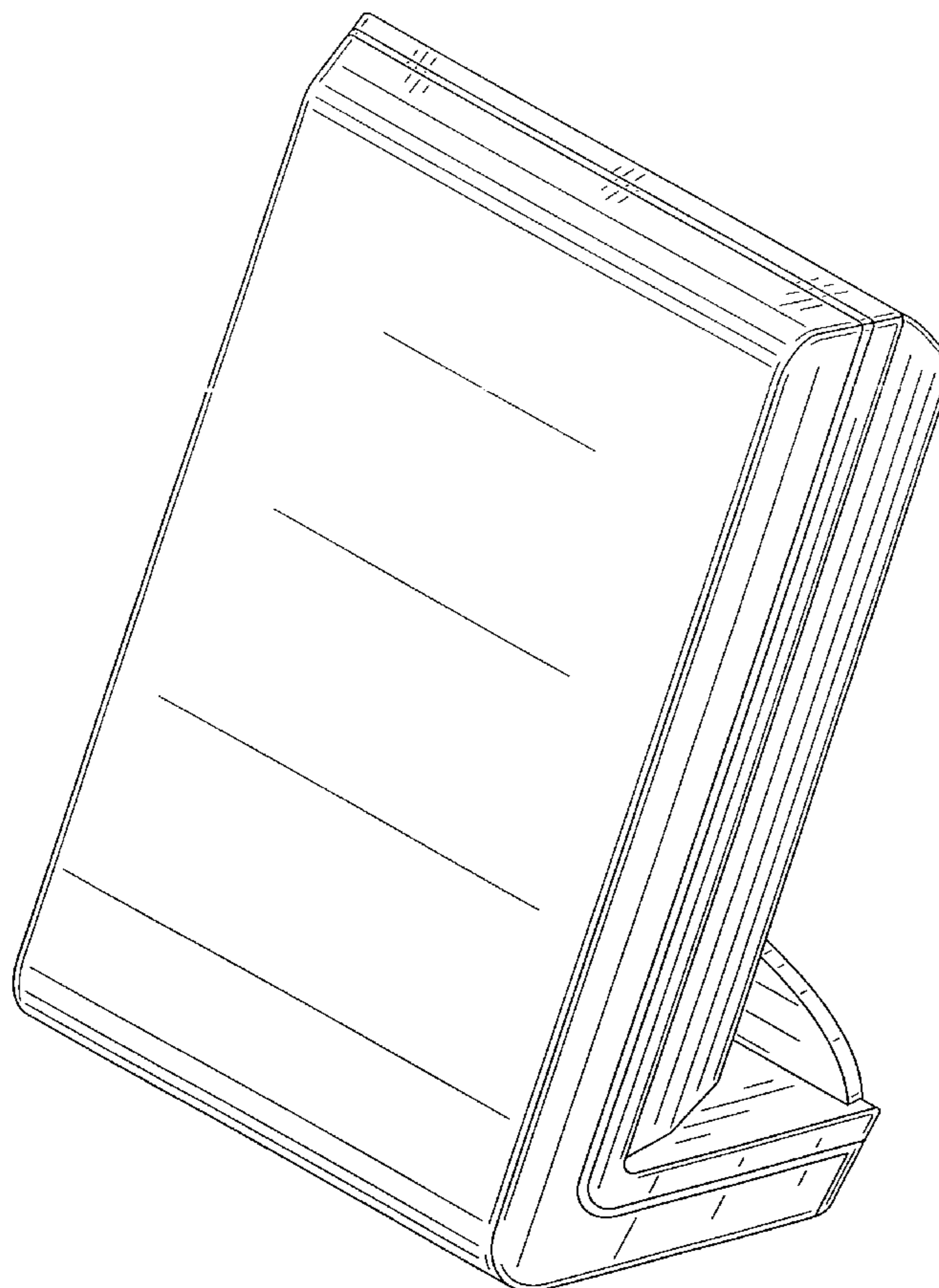


Fig. 1

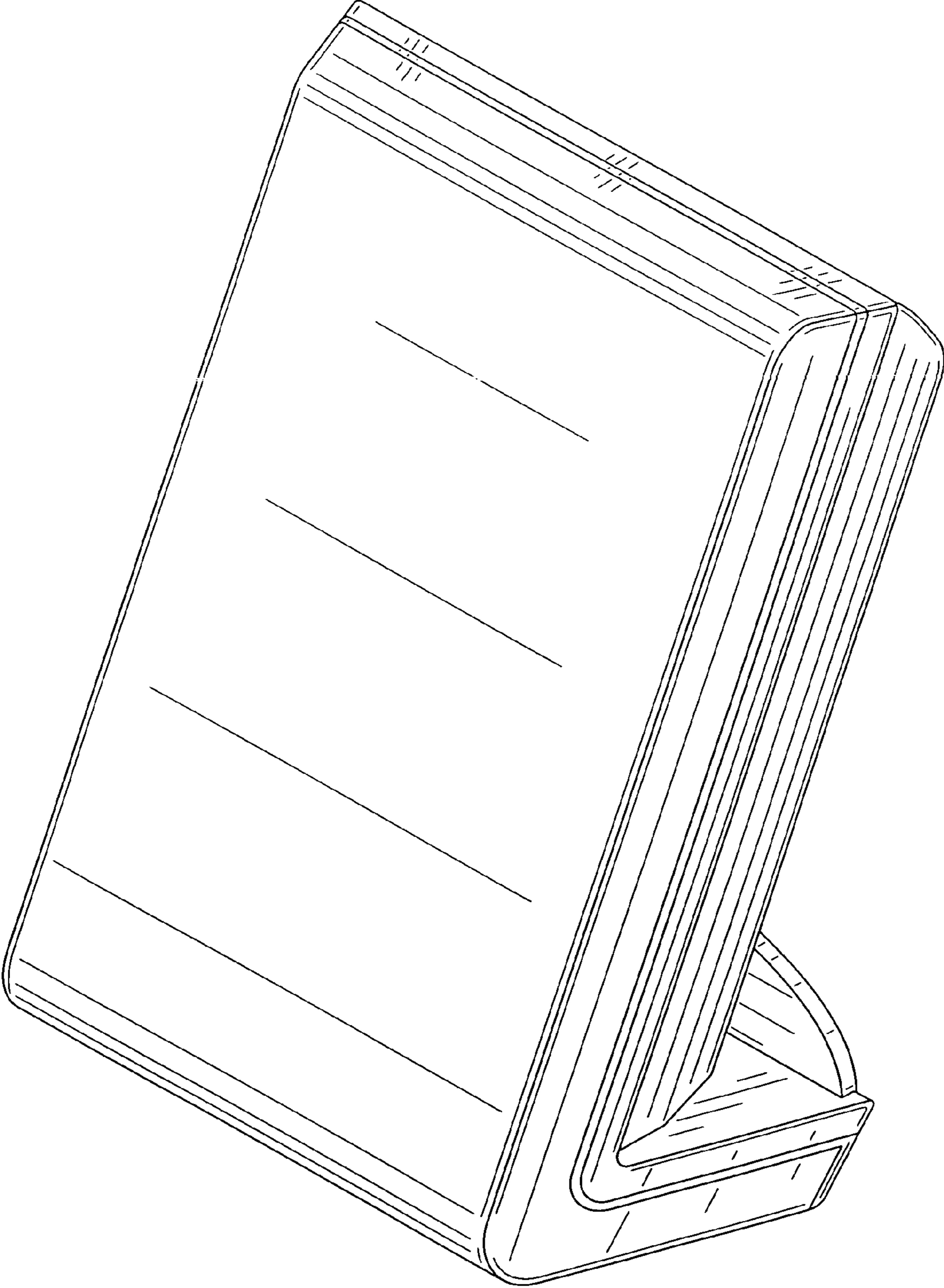


Fig.2

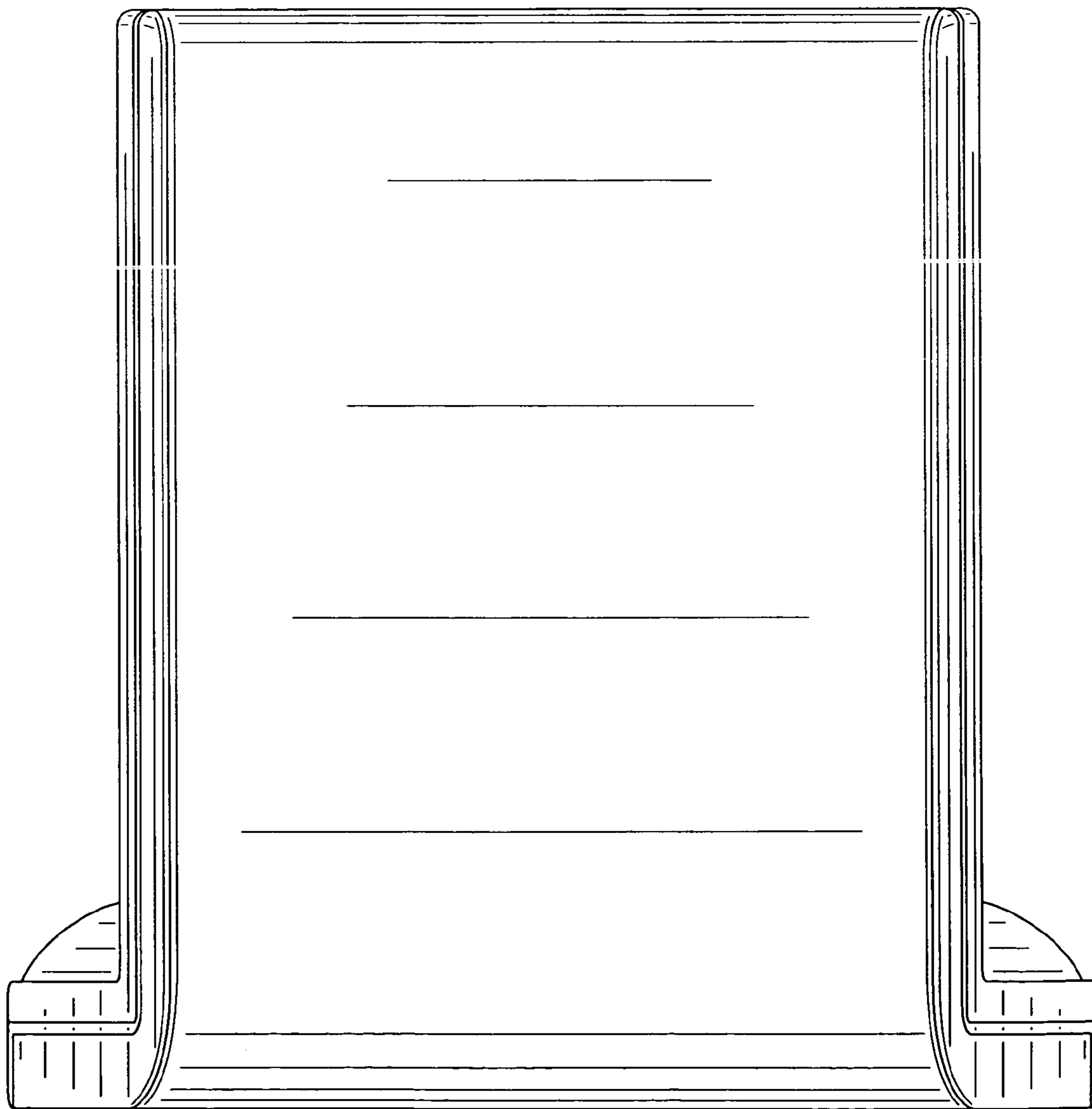


Fig.3

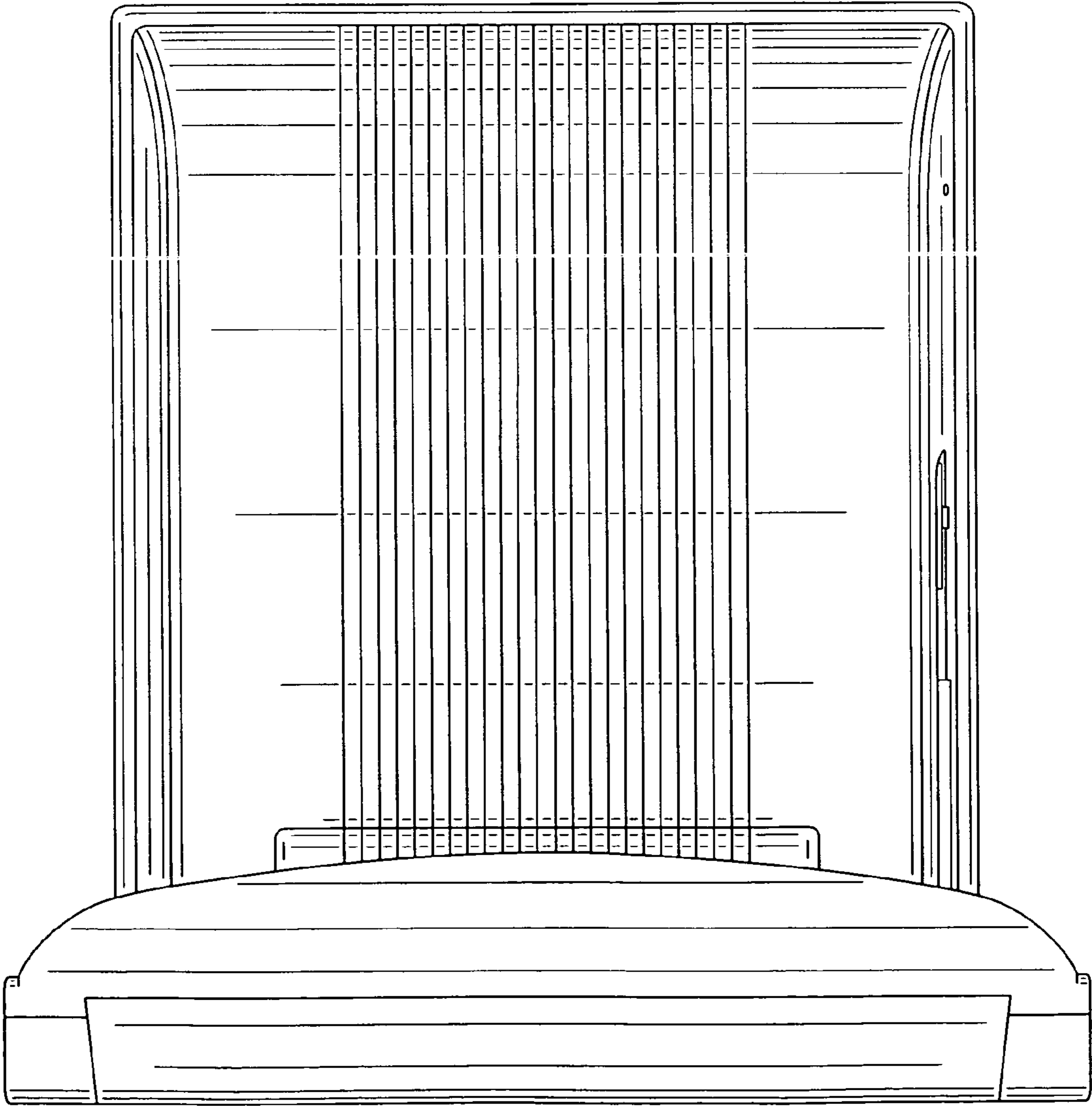


Fig.4

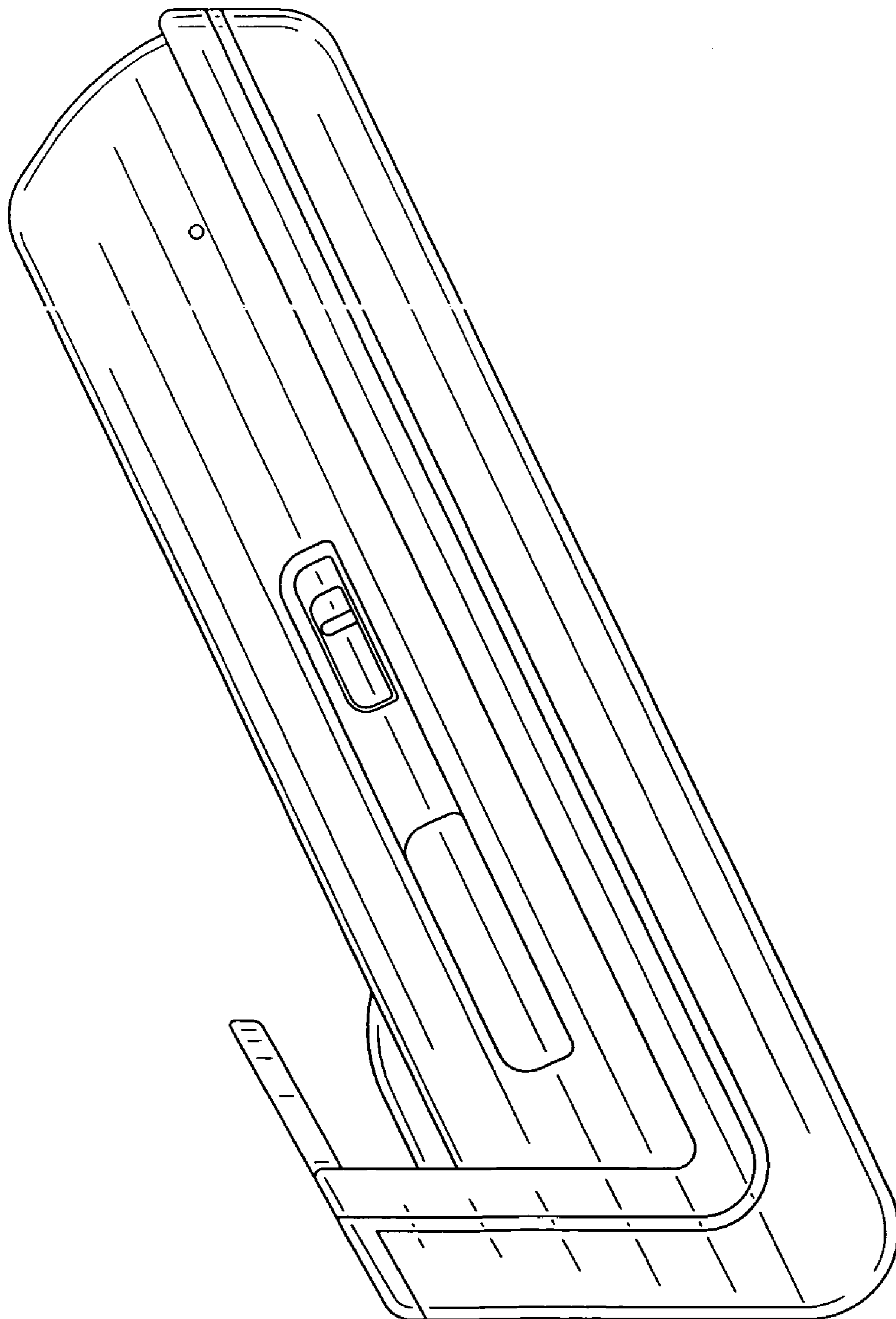


Fig.5

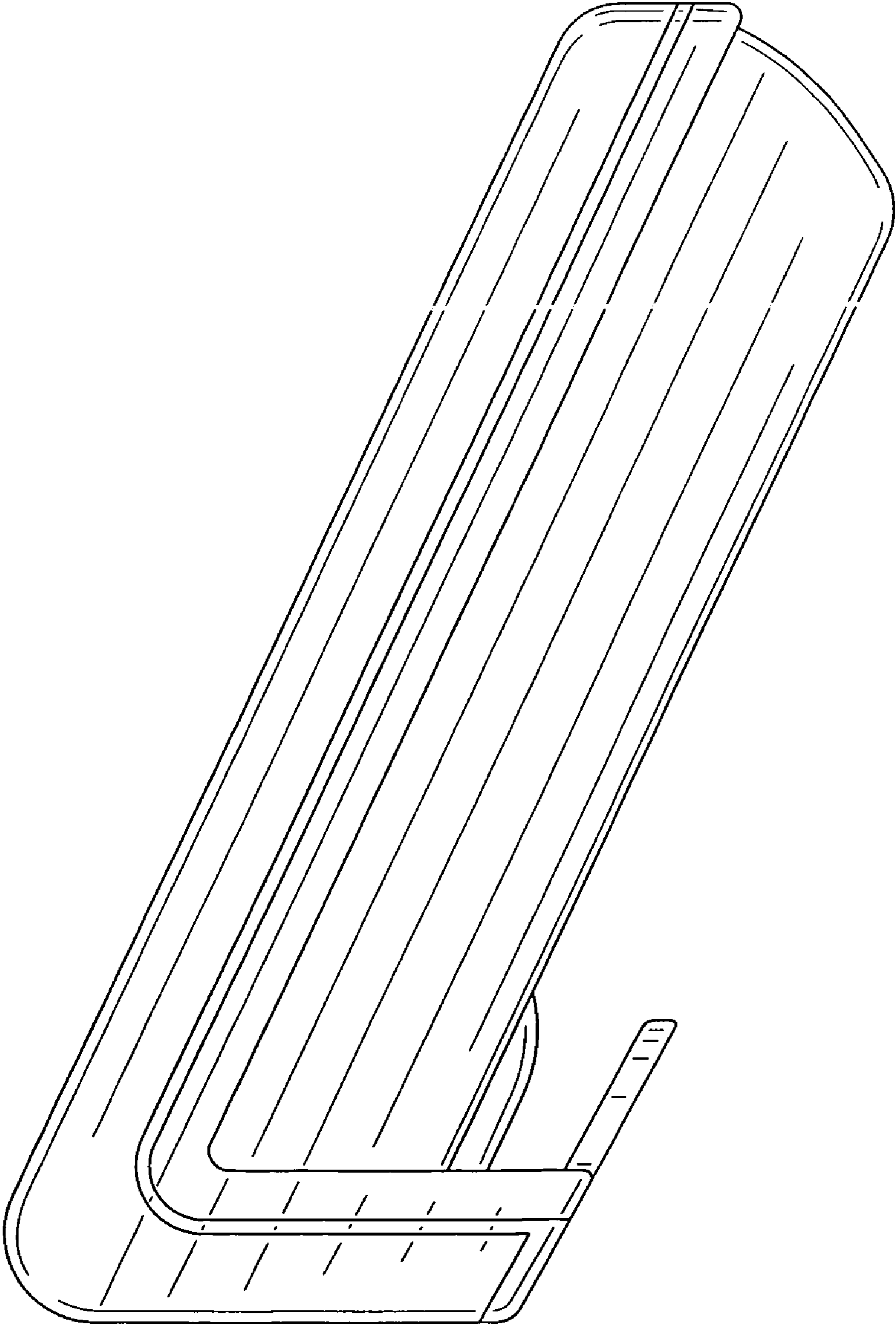


Fig.6

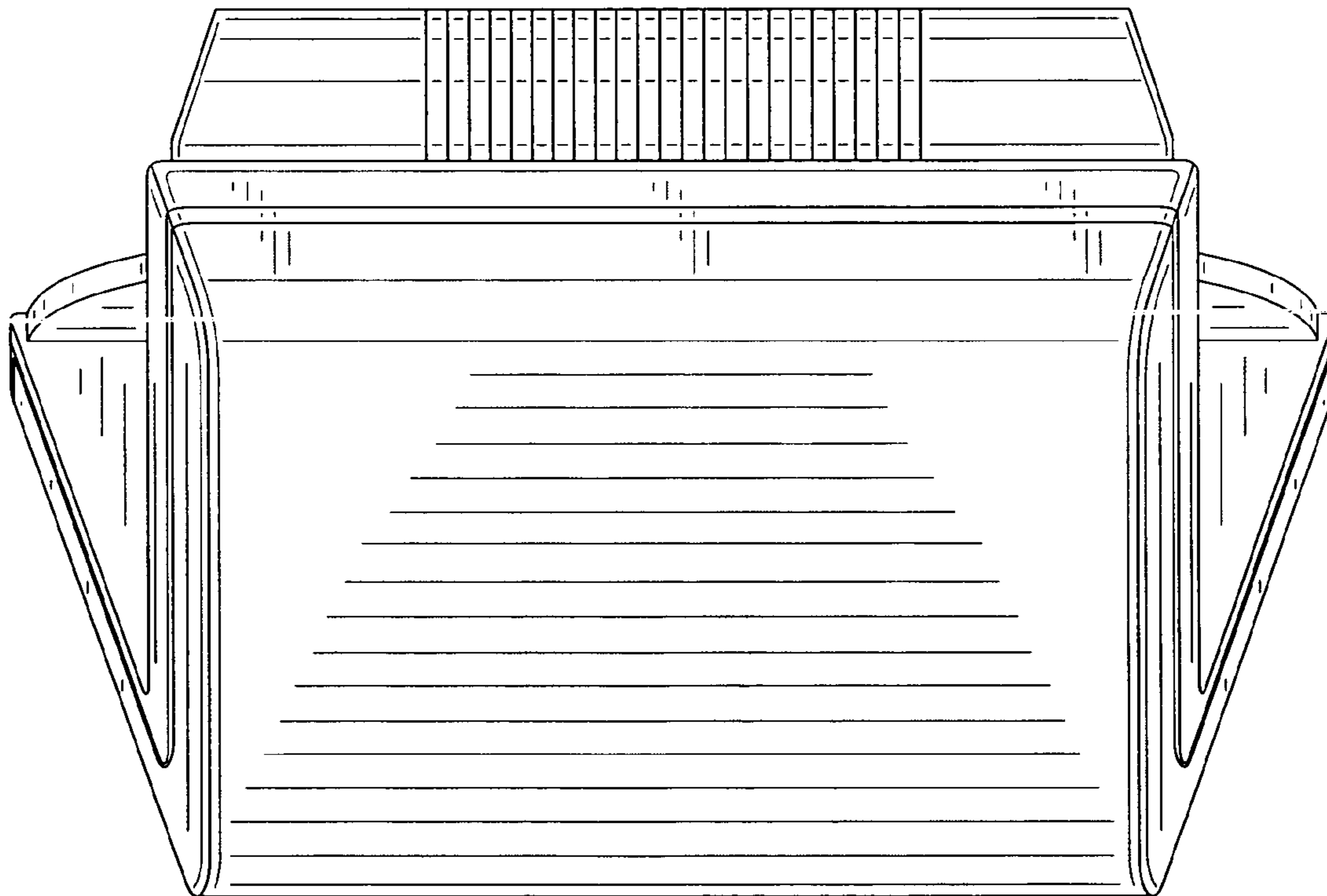


Fig.7

