

US00D546347S

(12) **United States Design Patent**
Millora

(10) **Patent No.:** **US D546,347 S**

(45) **Date of Patent:** **** Jul. 10, 2007**

(54) **MP3 PLAYER**

(75) Inventor: **Wesley Millora**, Seoul (KR)

(73) Assignee: **Samsung Electronics Co., Ltd.**,
Suwon-Si (KR)

(**) Term: **14 Years**

(21) Appl. No.: **29/255,079**

(22) Filed: **Mar. 6, 2006**

(30) **Foreign Application Priority Data**

Dec. 16, 2005 (KR) 30-2005-0042680

(51) **LOC (8) Cl.** **14-03**

(52) **U.S. Cl.** **D14/496**

(58) **Field of Classification Search** D14/496,
D14/401, 435, 474, 483, 217, 137, 138, 160,
D14/168; 345/156, 169, 173-179, 905; 715/727-729,
715/864; 455/11.1, 773, 344-347, 93, 95;
370/342-344; 369/1, 2, 6, 12; 463/43-47;
273/148 B

See application file for complete search history.

(56) **References Cited**

U.S. PATENT DOCUMENTS

5,349,575 A * 9/1994 Park 369/1
5,825,408 A * 10/1998 Yuyama et al. 348/14.01

D491,911 S * 6/2004 Jung D14/156
D504,409 S * 4/2005 Kim D14/156
D504,442 S * 4/2005 Kim D14/496
6,966,651 B2 * 11/2005 Johnson 353/15
D512,404 S * 12/2005 Yang D14/156
D527,018 S * 8/2006 Christianson D14/496
D532,424 S * 11/2006 Kim D14/496
D532,426 S * 11/2006 Lee et al. D14/496

* cited by examiner

Primary Examiner—Prabhakar Deshmukh

(74) *Attorney, Agent, or Firm*—Staas & Halsey LLP

(57) **CLAIM**

The ornamental design for an MP3 player, as shown and described.

DESCRIPTION

FIG. 1 is a perspective view of an MP3 player showing my new design;

FIG. 2 is a front elevational view thereof;

FIG. 3 is a rear elevational view thereof;

FIG. 4 is a left side elevational view thereof;

FIG. 5 is a right side elevational view thereof;

FIG. 6 is a top plan view thereof; and,

FIG. 7 is a bottom plan view thereof.

1 Claim, 7 Drawing Sheets

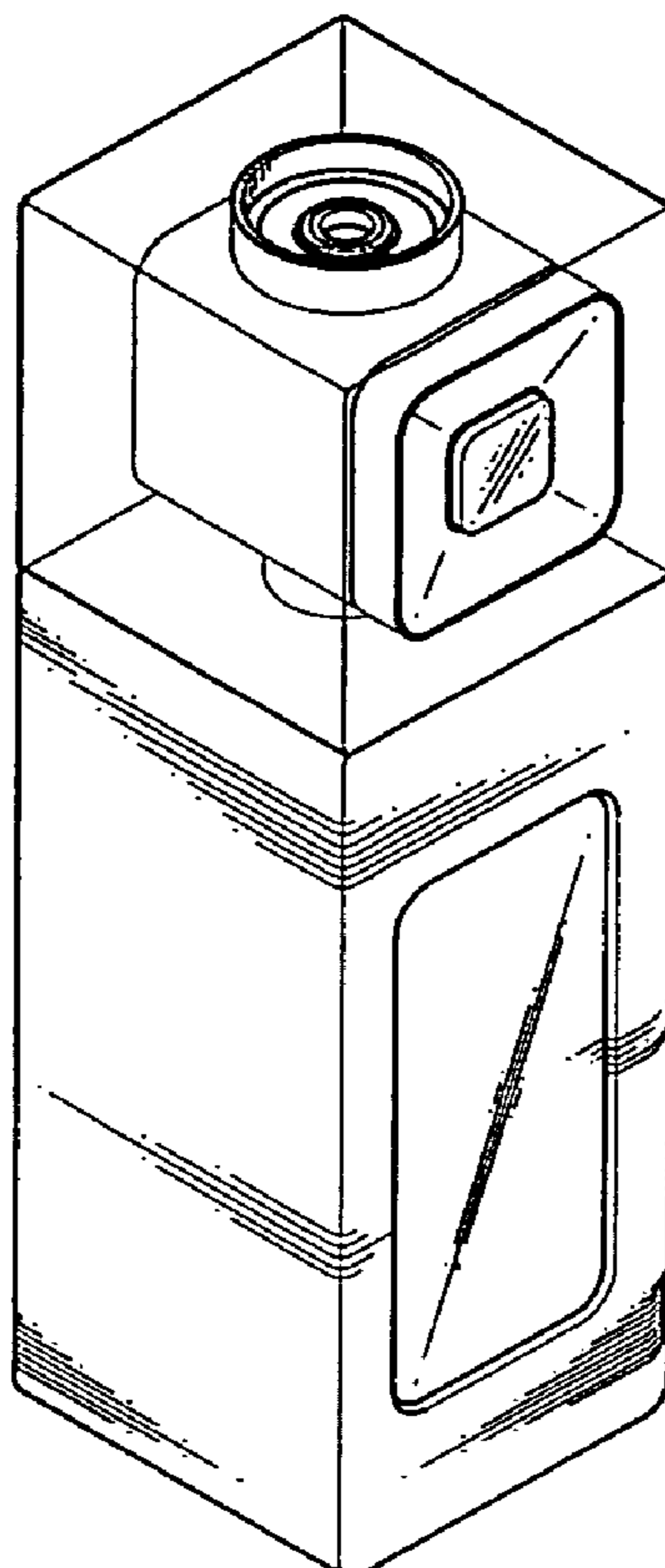


FIG. 1

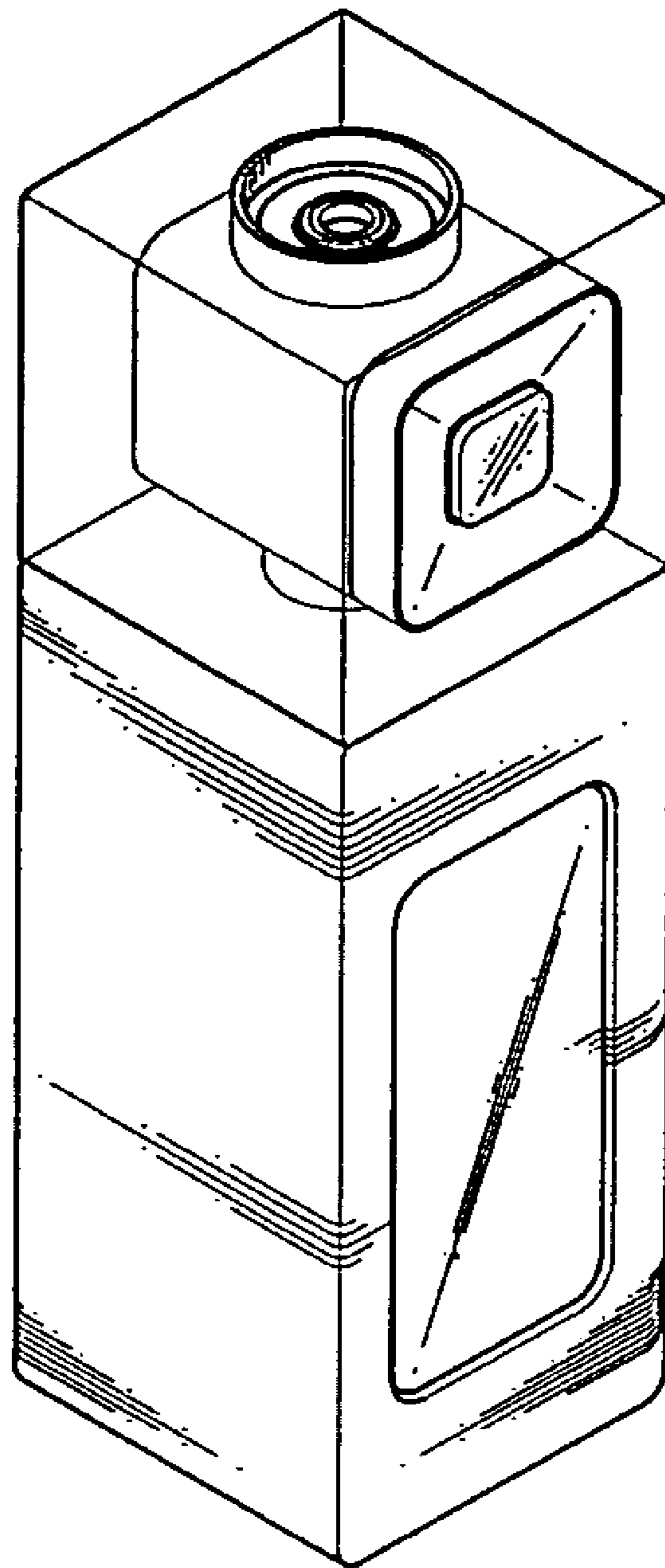


FIG.2

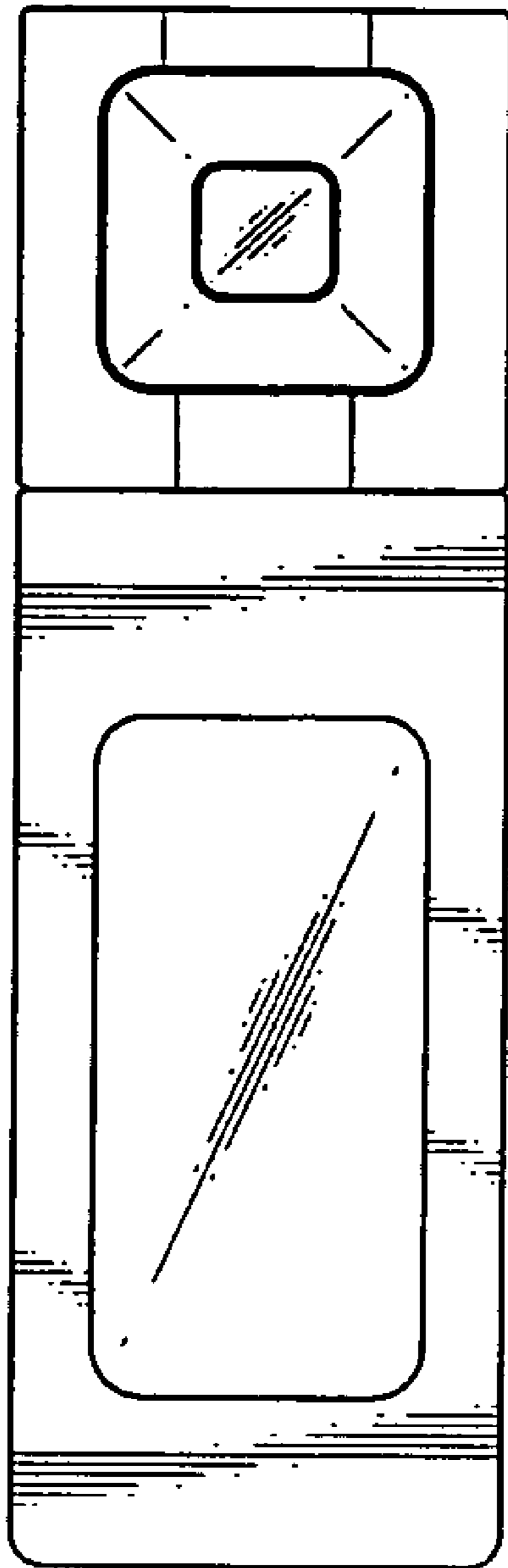


FIG. 3

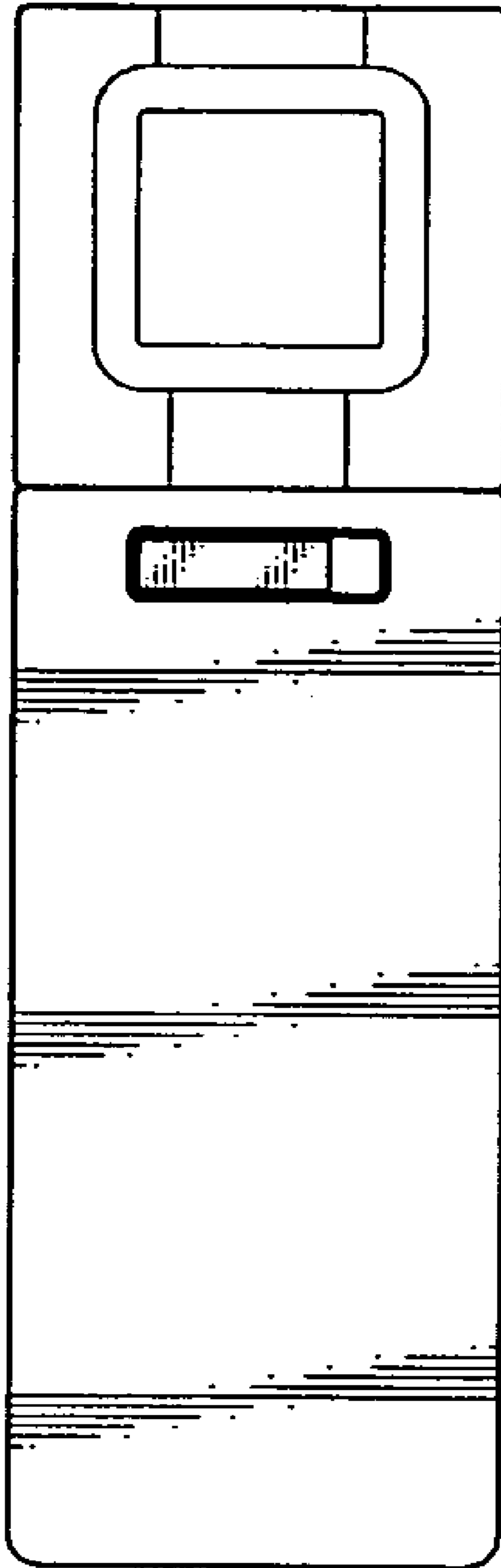


FIG.4

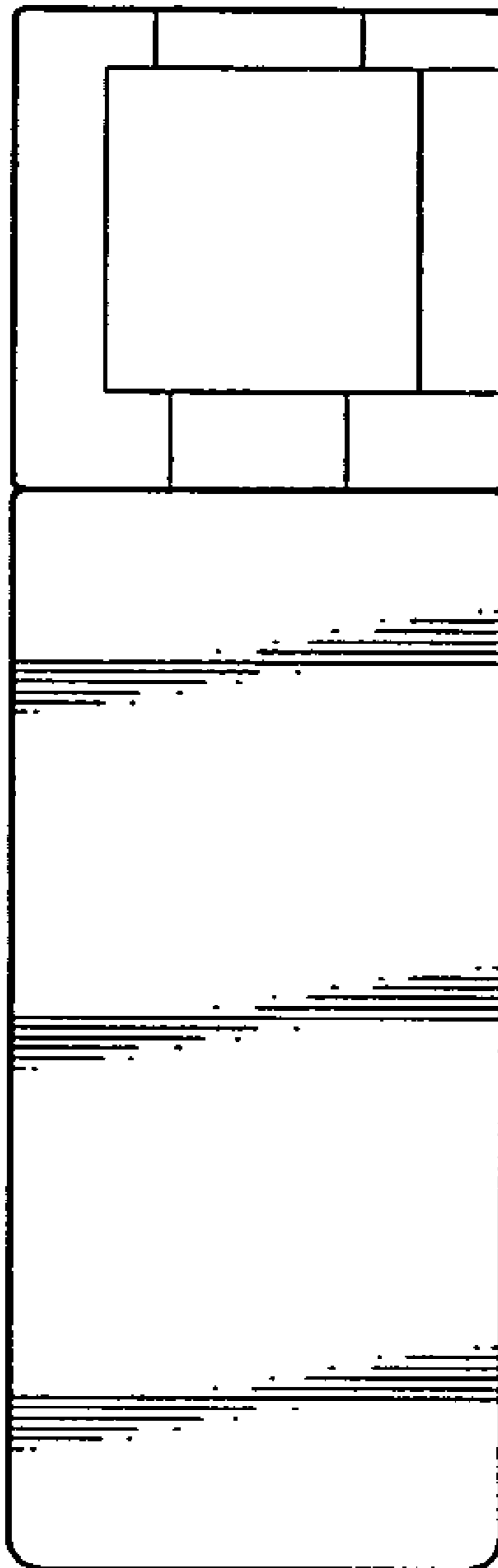


FIG. 5

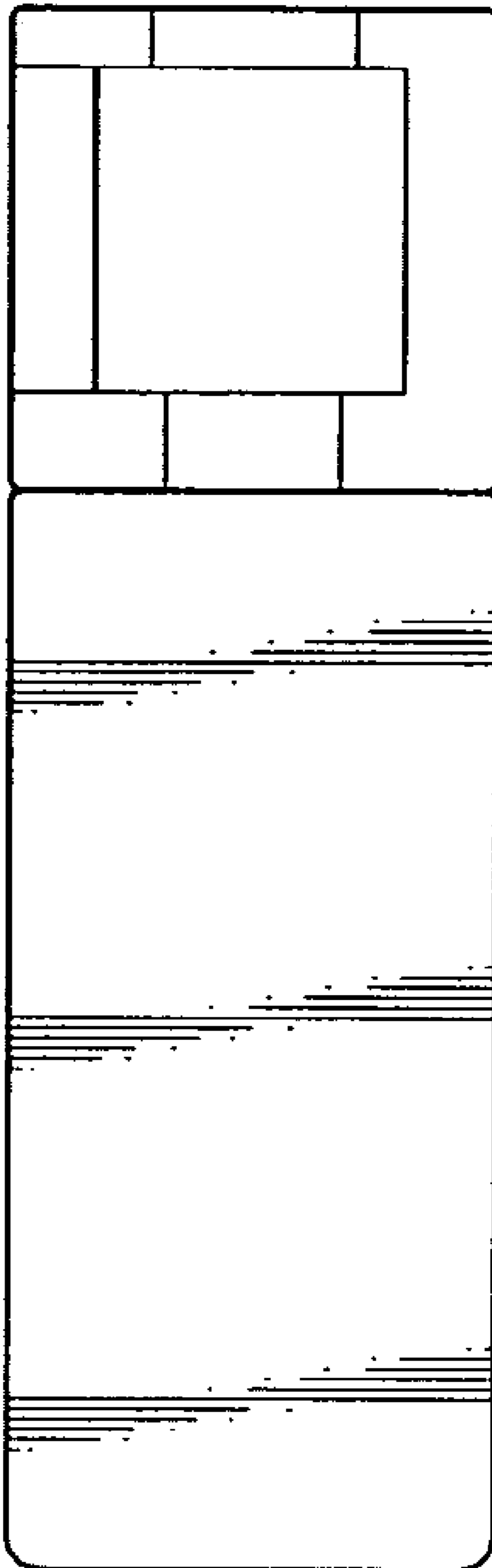


FIG.6

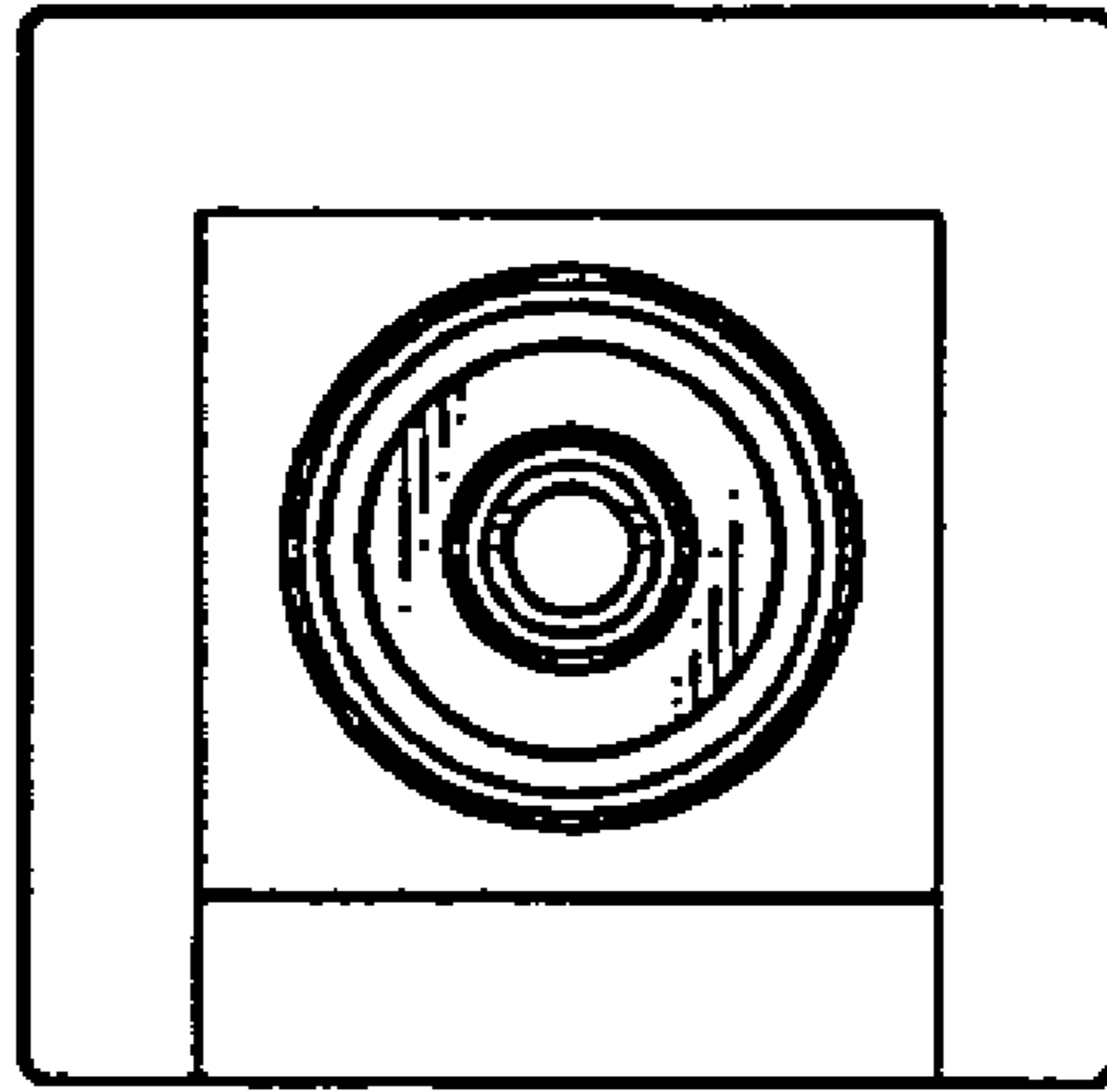


FIG. 7

