

US00D546346S

(12) **United States Design Patent**
Miyamori et al.

(10) **Patent No.:** **US D546,346 S**
(45) **Date of Patent:** **** Jul. 10, 2007**

(54) **DIGITAL AUDIO PLAYER**

(75) Inventors: **Akihiko Miyamori**, Kanagawa (JP);
Achim Lang, Chiba (JP)

(73) Assignee: **Victor Company of Japan, Limited**,
Yokohama-shi, Kanagawa (JP)

(**) Term: **14 Years**

(21) Appl. No.: **29/254,658**

(22) Filed: **Feb. 27, 2006**

(30) **Foreign Application Priority Data**

Aug. 29, 2005 (JP) 2005-024871

(51) **LOC (8) Cl.** **14-03**

(52) **U.S. Cl.** **D14/496**

(58) **Field of Classification Search** D14/496,
D14/401, 435, 474, 483, 217, 137, 138, 160,
D14/168; 345/156, 169, 173-179, 905; 715/727-729,
715/864; 455/11.1, 7, 73, 344-347, 93, 95;
370/342-344; 369/1, 2, 6, 12; 463/43-47;
273/148 B

See application file for complete search history.

(56) **References Cited**

U.S. PATENT DOCUMENTS

6,122,526 A * 9/2000 Parulski et al. 455/556.1
D486,813 S * 2/2004 Chun D14/156
D509,833 S * 9/2005 Yang D14/496
D511,347 S * 11/2005 Naruki D14/496
6,977,675 B2 * 12/2005 Kotzin 348/208.2

D516,576 S * 3/2006 Ive et al. D14/496
D517,088 S * 3/2006 Chong et al. D14/496
7,046,230 B2 * 5/2006 Zadesky et al. 345/156
D533,876 S * 12/2006 Kim D14/496

* cited by examiner

Primary Examiner—Prabhakar Deshmukh

(74) *Attorney, Agent, or Firm*—Osha Liang LLP

(57) **CLAIM**

The ornamental design for a digital audio player, as shown and described.

DESCRIPTION

FIG. 1 is a perspective view of the design according to the invention.

FIG. 2 is a top view of the design according to the invention.

FIG. 3 is a bottom view of the design according to the invention.

FIG. 4 is a front view of the design according to the invention.

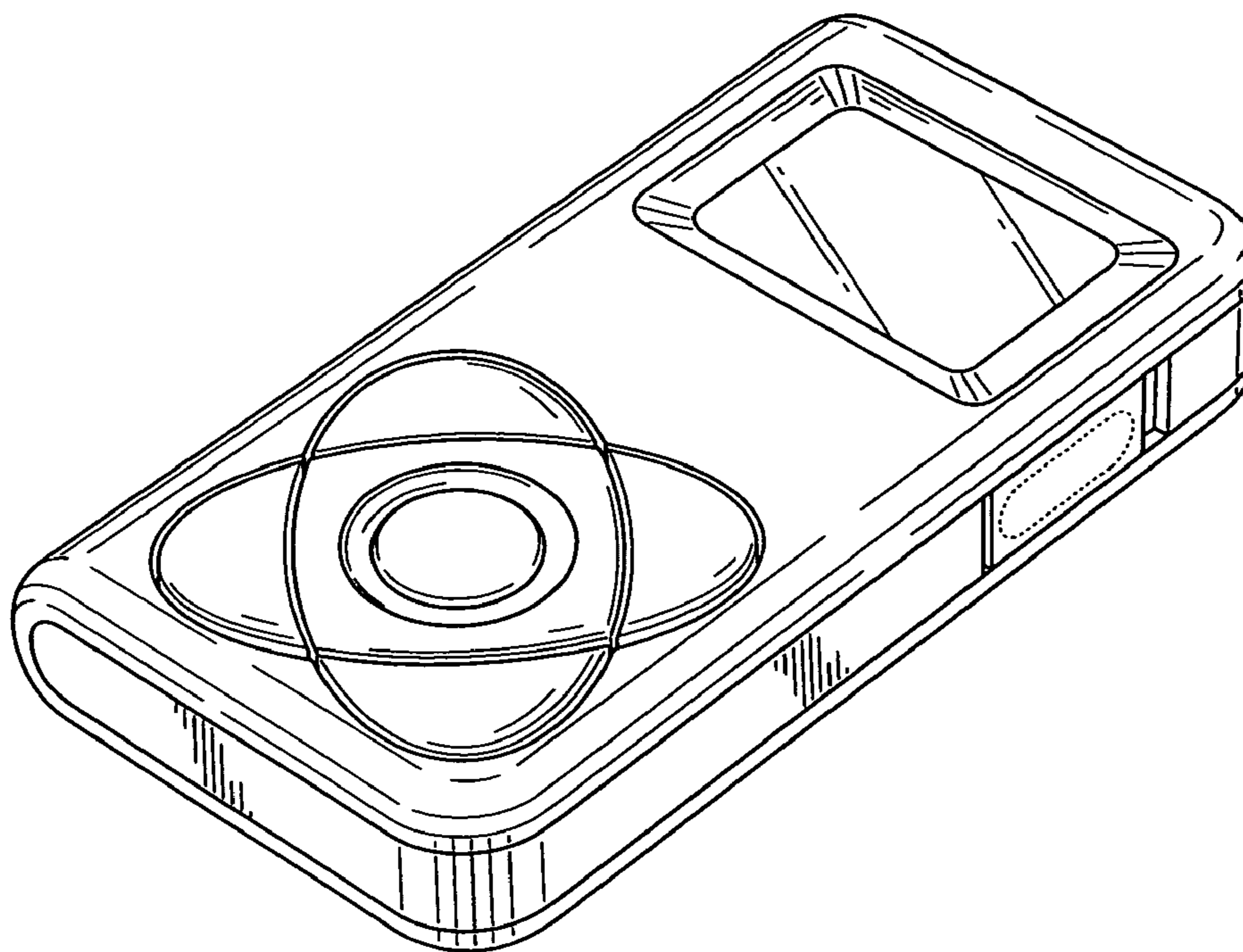
FIG. 5 is a right side view of the design according to the invention.

FIG. 6 is a rear view of the design according to the invention; and,

FIG. 7 is a left side view of the design according to the invention.

The elements shown in broken lines are for illustrative purposes only and form no part of the claimed design.

1 Claim, 3 Drawing Sheets



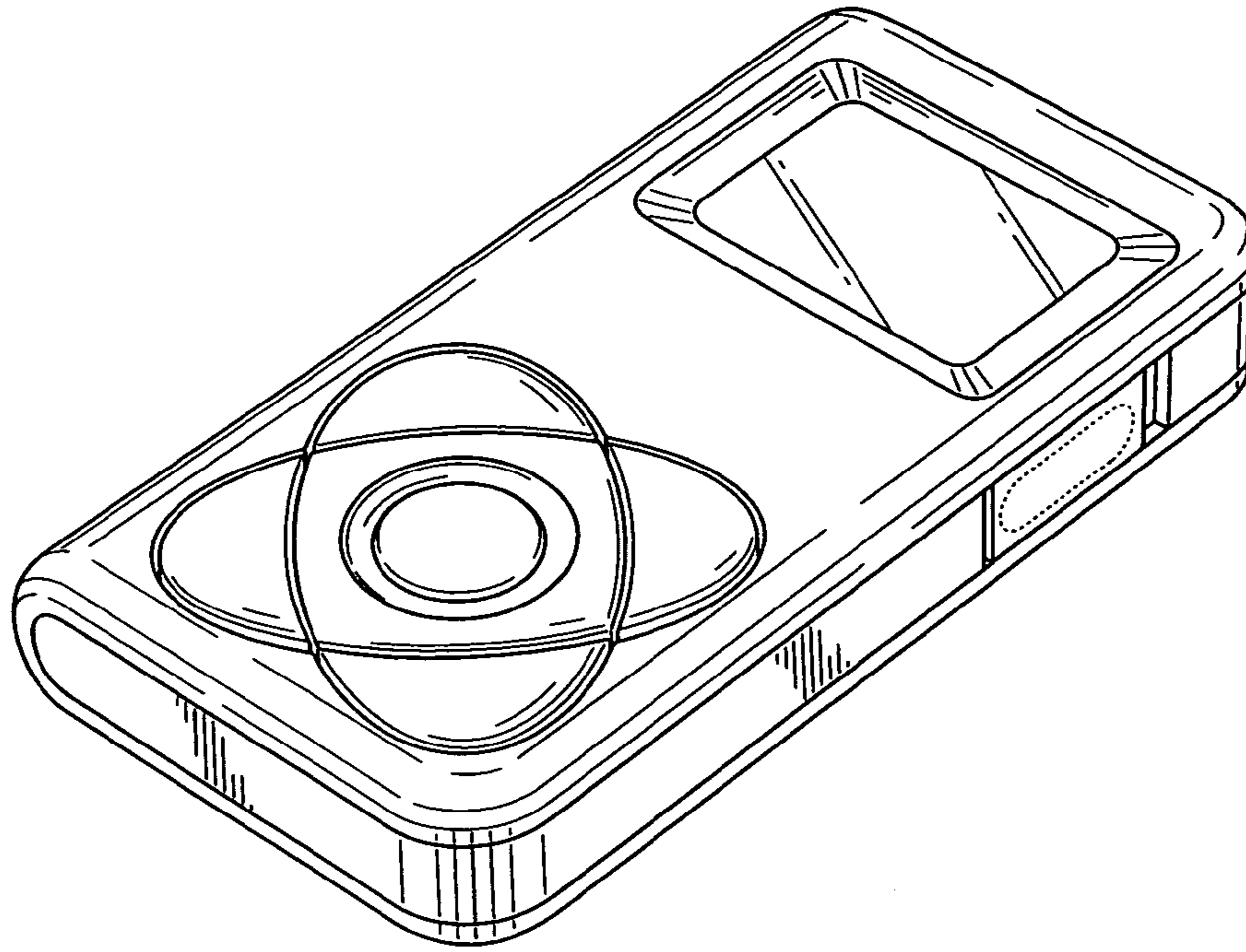


FIG. 1

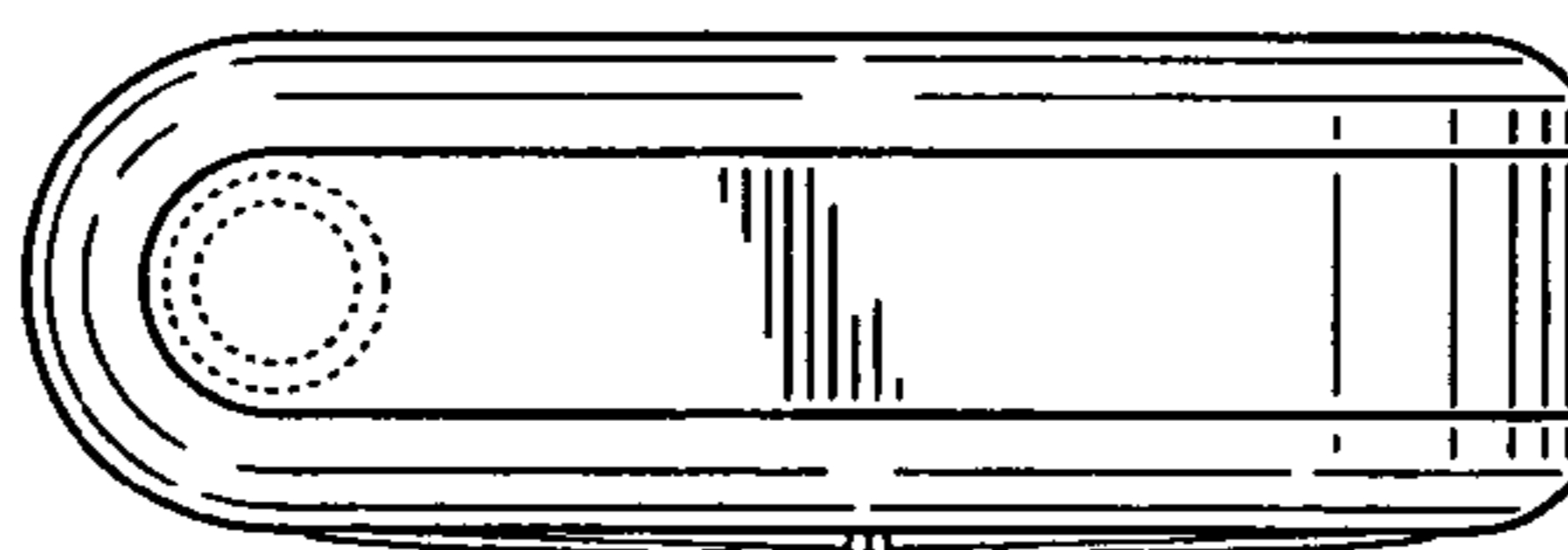


FIG. 2

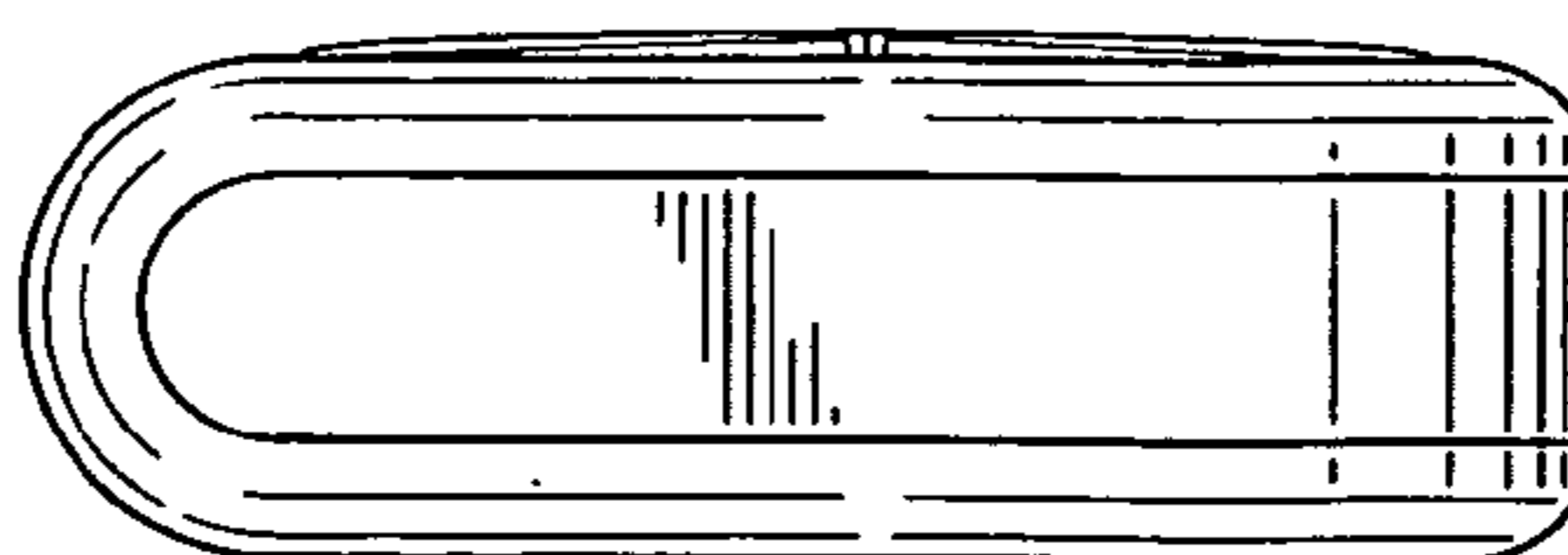


FIG. 3

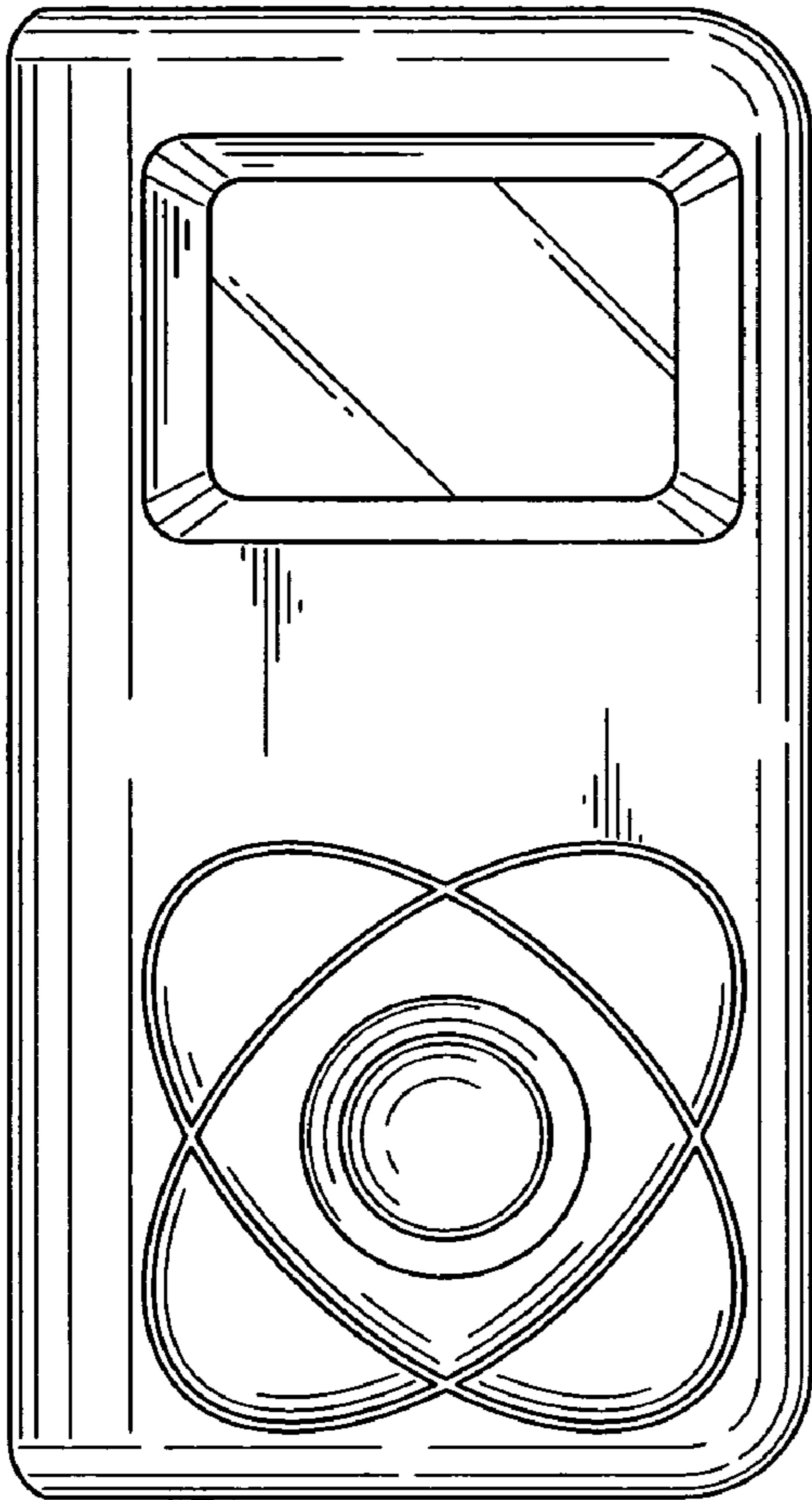


FIG. 4



FIG. 5

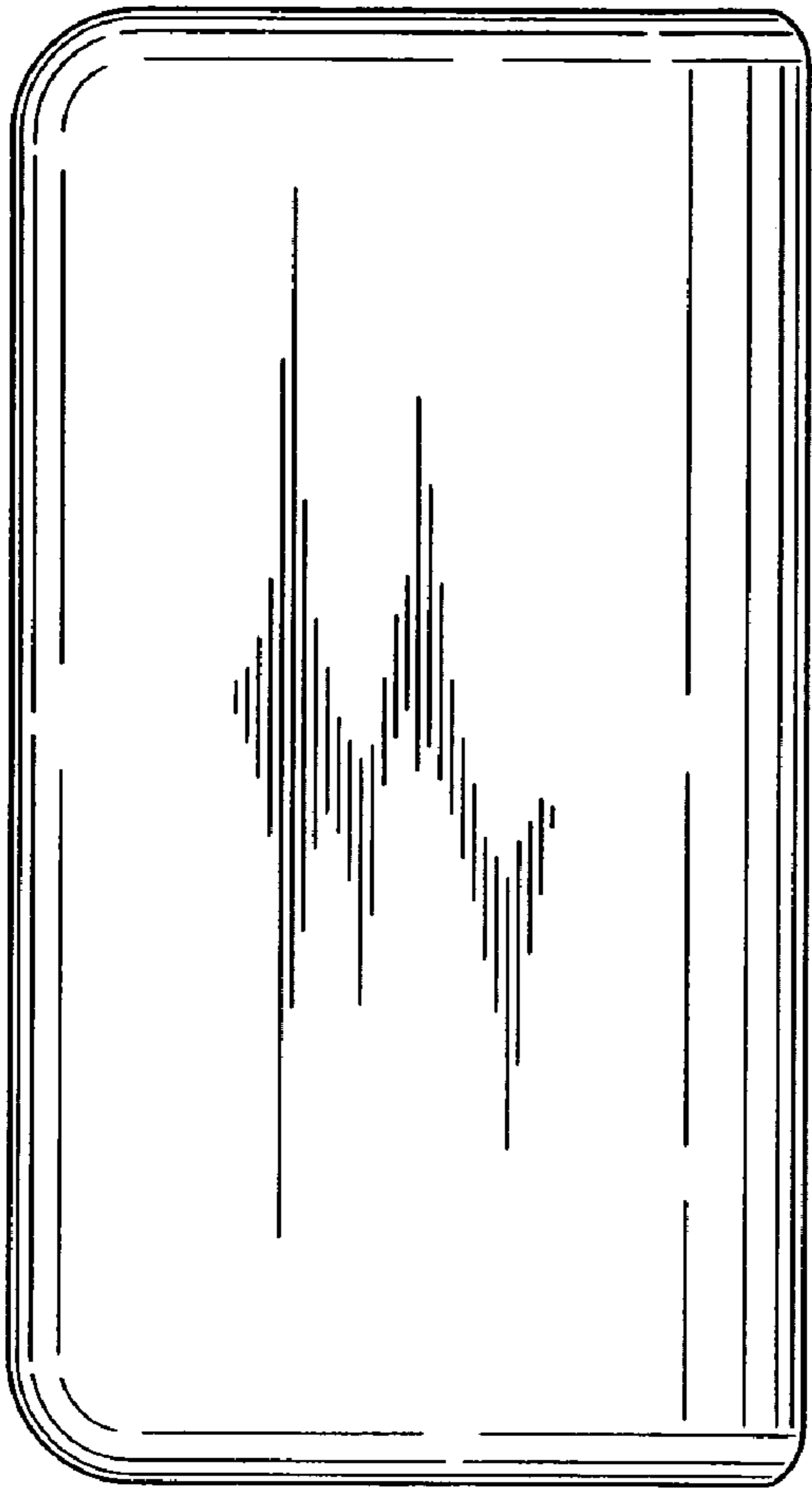


FIG. 6

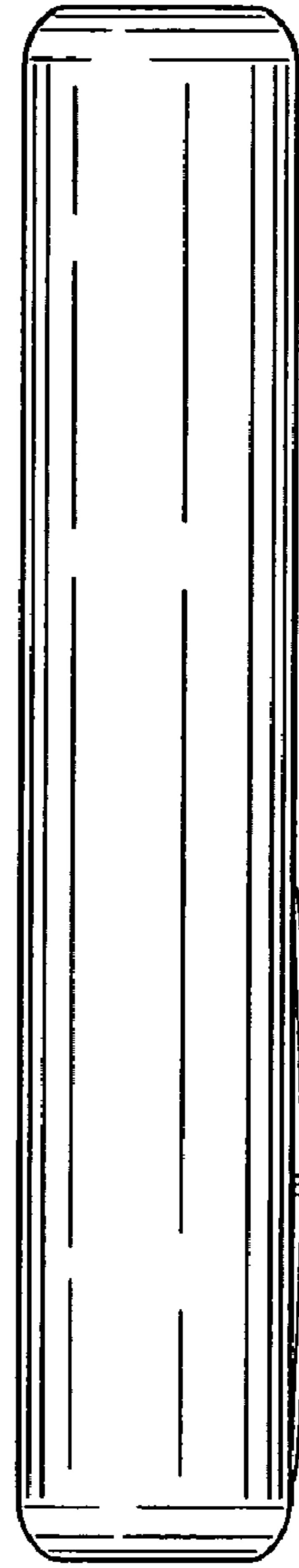


FIG. 7