

US00D546332S

(12) **United States Design Patent**
Depay et al.

(10) **Patent No.:** **US D546,332 S**

(45) **Date of Patent:** **** Jul. 10, 2007**

(54) **KEYBOARD**

(75) Inventors: **Dean Depay**, Cupertino, CA (US);
Frederic Frappereau, Cupertino, CA
(US); **Benjamin Abraham**, Cupertino,
CA (US)

(73) Assignee: **Hewlett-Packard Development
Company, L.P.**, Houston, TX (US)

(**) Term: **14 Years**

(21) Appl. No.: **29/236,392**

(22) Filed: **Aug. 16, 2005**

(51) **LOC (8) Cl.** **14-02**

(52) **U.S. Cl.** **D14/396**

(58) **Field of Classification Search** D14/391-399,
D14/385, 455; D18/1, 2, 7, 11; 178/17 A,
178/17 C; 200/5 A, 5 R, 6 A, 6 R; 235/145 A,
235/145 R; 341/20-23; 345/160, 168; 400/486-489,
400/492, 472

See application file for complete search history.

(56) **References Cited**

U.S. PATENT DOCUMENTS

D289,761 S * 5/1987 Matulock et al. D14/396
D311,384 S * 10/1990 Lazere et al. D14/396
5,439,304 A * 8/1995 Phillips et al. 400/492

5,717,430 A * 2/1998 Copland et al. 345/168
D438,207 S * 2/2001 Baker D14/392
D481,730 S * 11/2003 Kang et al. D14/385

* cited by examiner

Primary Examiner—Freda S. Nunn

(57) **CLAIM**

We claim the ornamental design for a keyboard, as shown
and described.

DESCRIPTION

FIG. 1 is a front, top, and right side perspective view of a
keyboard with a display in a flush position;

FIG. 2 is a top plan view thereof;

FIG. 3 is a front side elevational view thereof with keyboard
supports in an extended position;

FIG. 4 is a back side elevational view thereof;

FIG. 5 is a bottom plan view thereof;

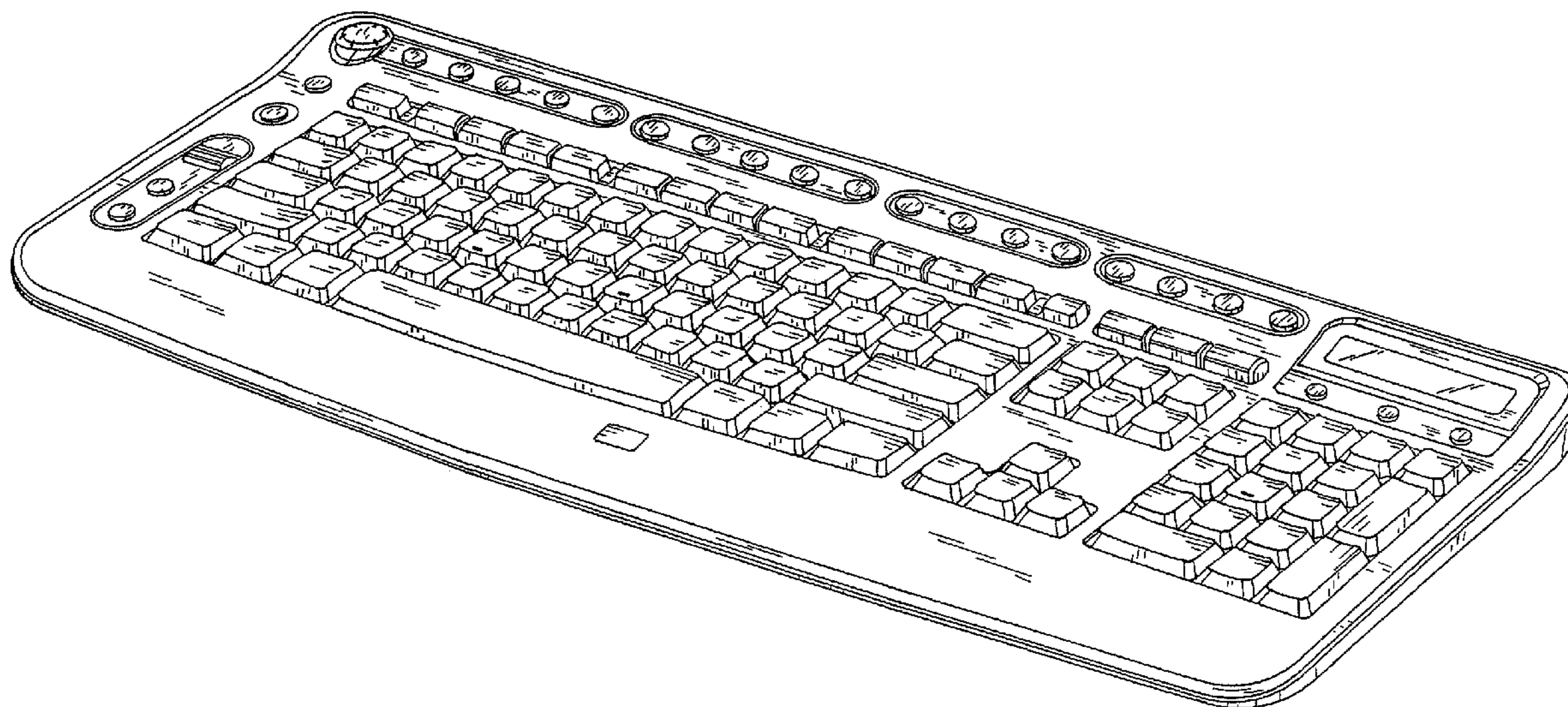
FIG. 6 is a right side elevational view thereof;

FIG. 7 is a left side elevational view thereof;

FIG. 8 is a front, top, and right-side perspective view thereof
with the display in an upright position; and,

FIG. 9 is a front side elevational view thereof with keyboard
supports in a retracted position.

1 Claim, 6 Drawing Sheets



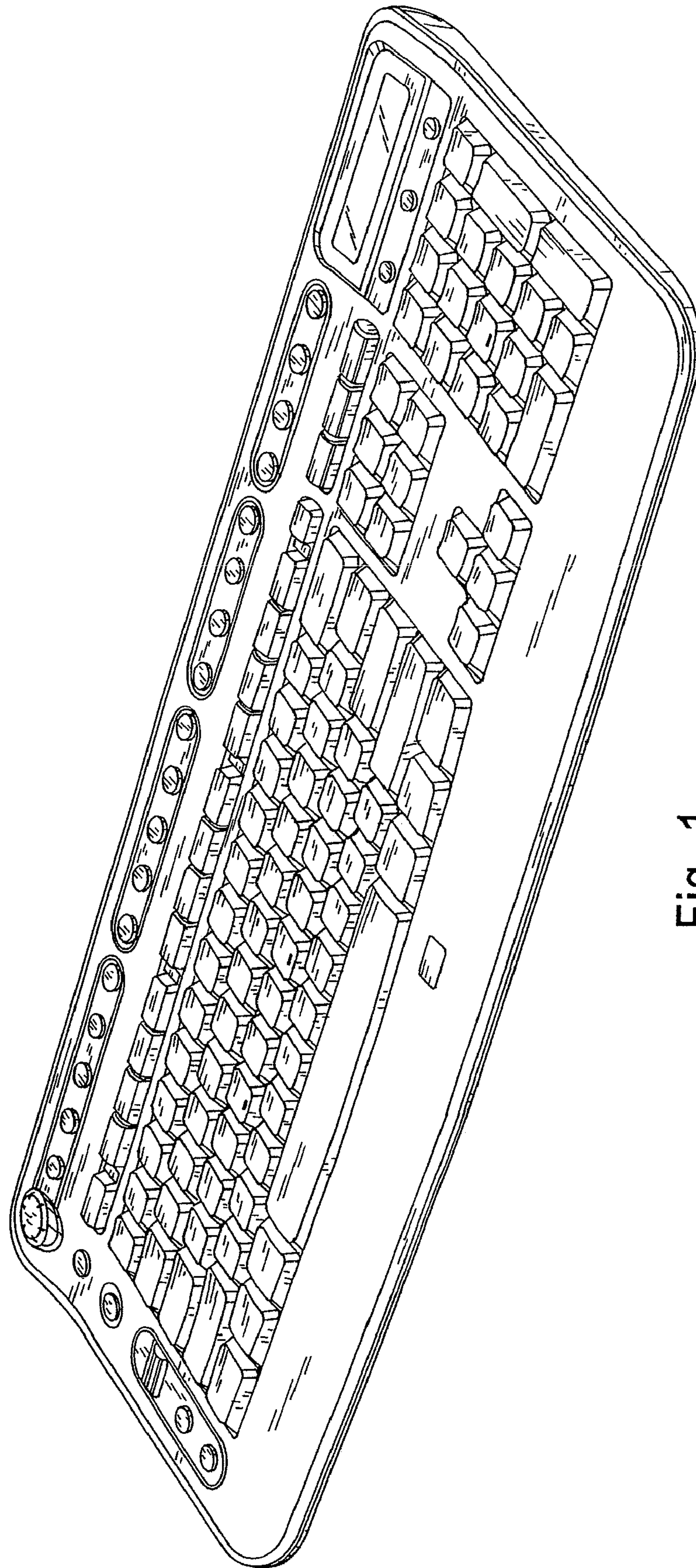


Fig. 1

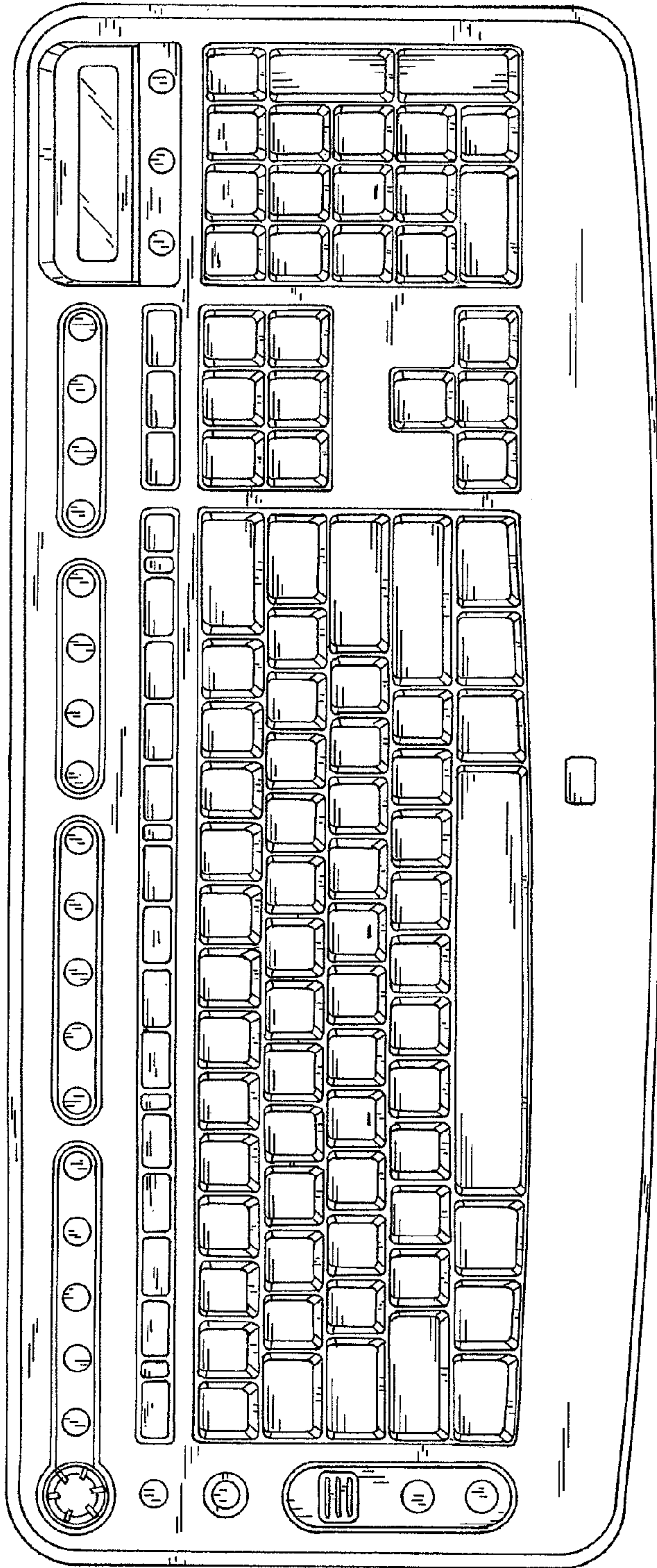


Fig. 2

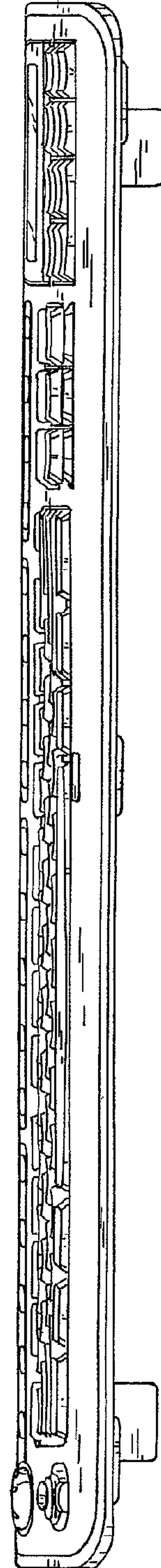


Fig. 3

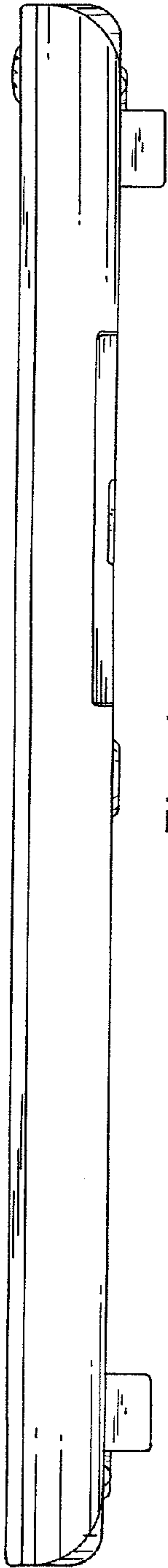


Fig. 4

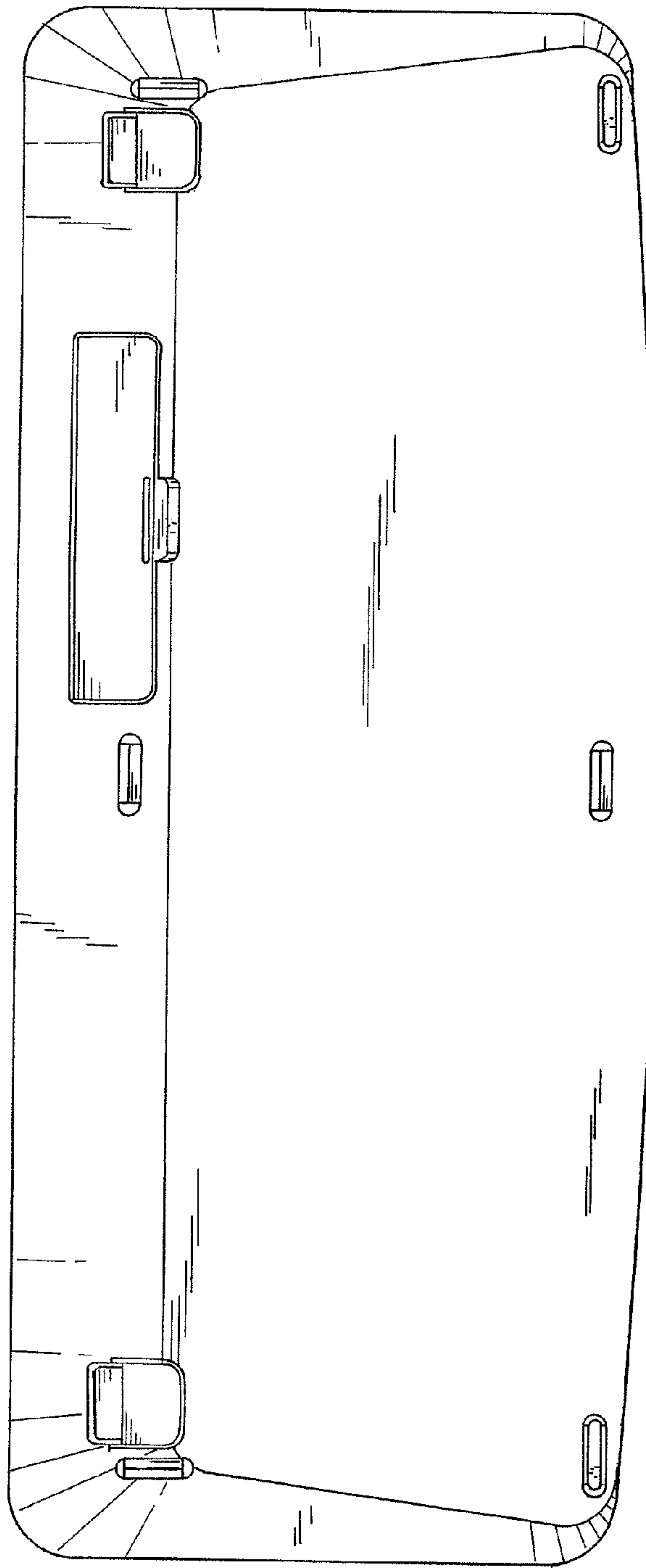


Fig. 5

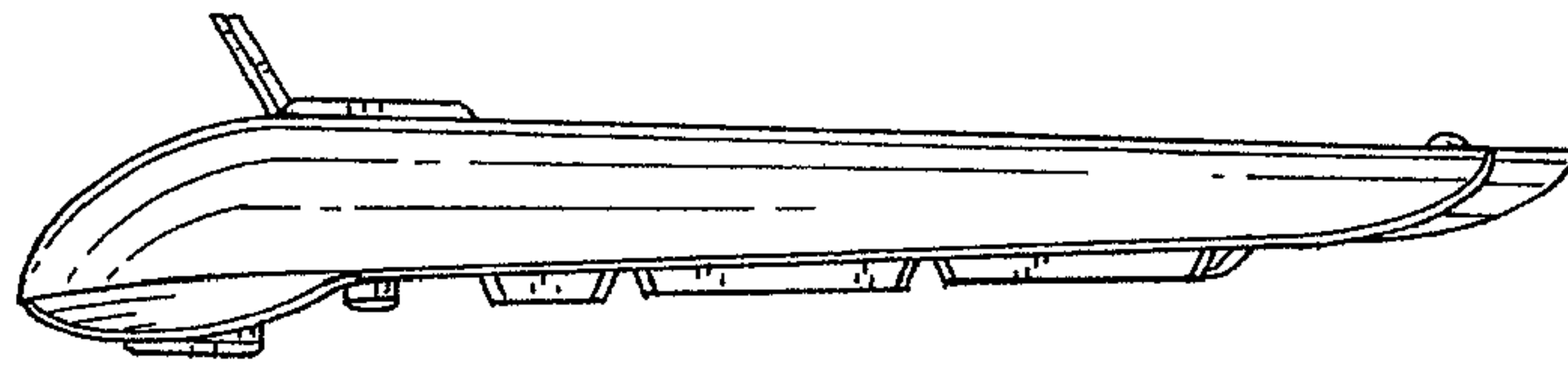


Fig. 6

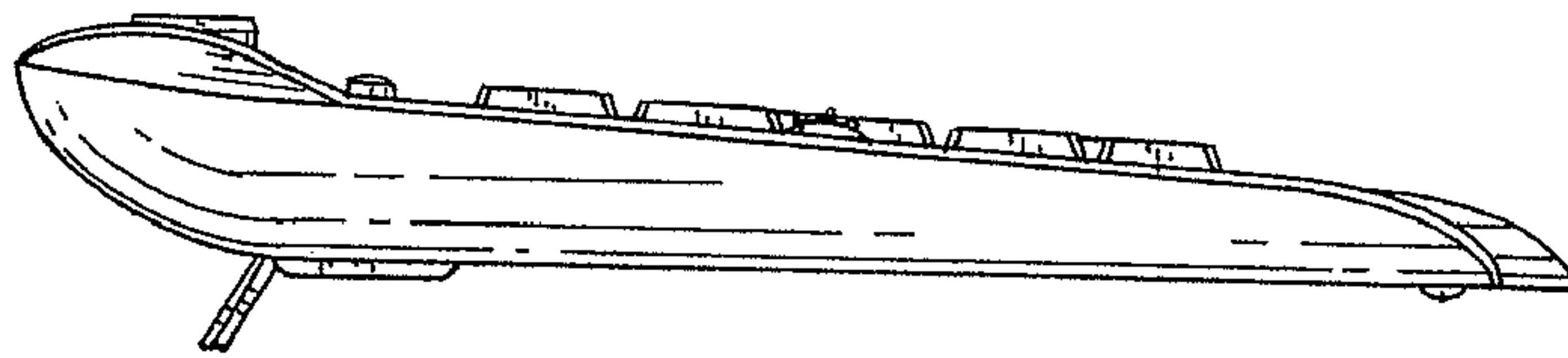


Fig. 7

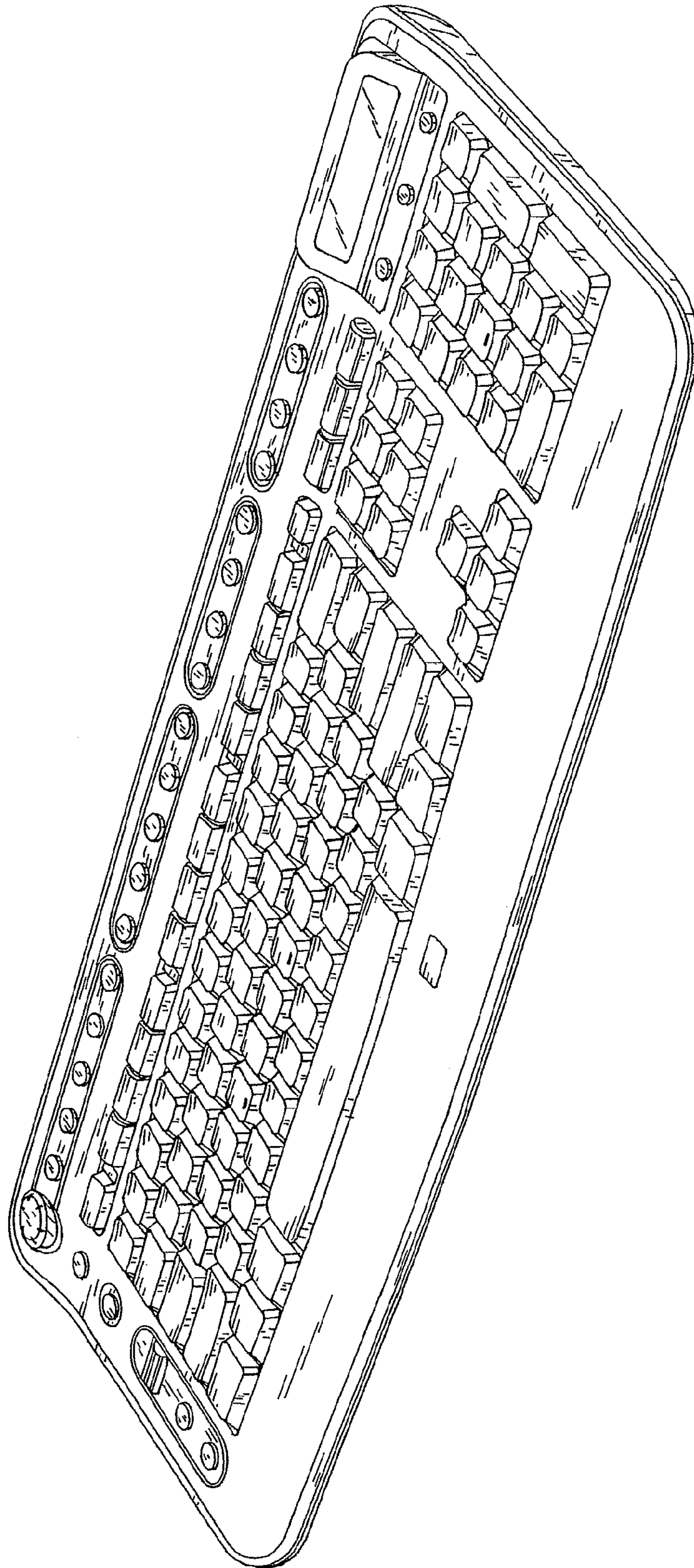


Fig. 8

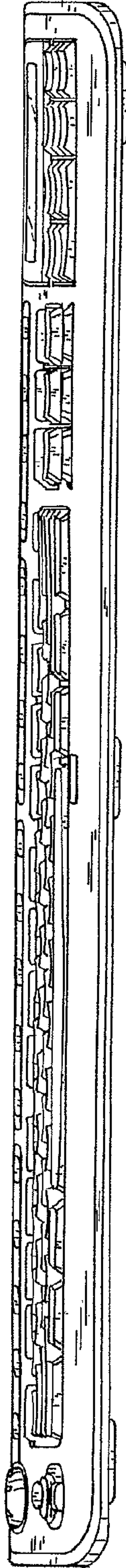


Fig. 9