



US00D546331S

(12) **United States Design Patent** (10) **Patent No.:** **US D546,331 S**
Kim (45) **Date of Patent:** **** Jul. 10, 2007**

(54) **LCD MONITOR**

(75) Inventor: **Eui-Seok Kim**, Seoul (KR)

(73) Assignee: **Samsung Electronics Co., Ltd.**,
Kyunggi-do (KR)

(**) Term: **14 Years**

(21) Appl. No.: **29/258,363**

(22) Filed: **Apr. 20, 2006**

(51) **LOC (8) Cl.** **14-02**

(52) **U.S. Cl.** **D14/375**

(58) **Field of Classification Search** D14/371-375,
D14/125-129; 248/917-924; 341/12; 345/104,
345/156, 168, 173, 901-905; 348/180, 184,
348/325, 739; 349/1, 2, 11, 62

See application file for complete search history.

(56) **References Cited**

U.S. PATENT DOCUMENTS

D357,468 S	4/1995	Rodd	
D412,892 S	8/1999	Lee	
D416,875 S *	11/1999	Chuo et al.	D14/375
6,015,120 A	1/2000	Sweere et al.	
D458,928 S	6/2002	Duan	
D471,549 S *	3/2003	Tsuji	D14/375
D477,320 S	7/2003	Peng et al.	
D489,370 S	5/2004	Jobs et al.	
D499,097 S *	11/2004	Tsuji et al.	D14/375
D512,424 S	12/2005	Kim	

OTHER PUBLICATIONS

U.S. Appl. No. 29/217,926, Applicant: Young-Kun Kim, et al., filed Nov. 23, 2004, entitled Projection Television.
U.S. Appl. No. 29/218,855, Applicant: Seung-Ho Lee, et al., filed Dec. 8, 2004, entitled LCD TV.
U.S. Appl. No. 29/218,856, Applicant: Seung-Ho Lee, et al., filed Dec. 8, 2004, entitled LCD TV.
U.S. Appl. No. 29/228,022, Applicant: Yun-Je Kang, et al., filed Apr. 19, 2005, entitled Projection Television.

U.S. Appl. No. 29/228,541, Applicant: Young-Sun Shin, et al., filed Apr. 25, 2004, entitled Television.

U.S. Appl. No. 29/228,026, Applicant: Yun-Je Kang, et al., filed Apr. 19, 2005, entitled Projection Television.

U.S. Appl. No. 29/228,024, Applicant: Ki-Soo Kim, et al., filed Apr. 19, 2005, entitled LCD Television.

U.S. Appl. No. 29/231,241, Applicant: Young-Jun Kim, et al., filed Jun. 2, 2005, entitled Monitor.

U.S. Appl. No. 29/231,236, Applicant: Ki-Soo Kim, et al., filed Jun. 2, 2005, entitled LCD Monitor.

U.S. Appl. No. 29/231,924, Applicant: Sang-Il Park, et al., filed Jun. 10, 2005, entitled LCD Monitor.

U.S. Appl. No. 29/231,925, Applicant: Sang-Il Park, et al., filed Jun. 10, 2005, entitled LCD Monitor.

U.S. Appl. No. 29/241,314, Applicant: Gisuke Ota, filed Oct. 26, 2005, entitled LCD Monitor.

U.S. Appl. No. 29/256,593, Applicant: Jae-Beom Park, et al., filed Mar. 22, 2006, entitled LCD Monitor.

(Continued)

Primary Examiner—Freda S. Nunn

(74) *Attorney, Agent, or Firm*—Flynn, Thiel, Boutell & Tanis, P.C.

(57) **CLAIM**

The ornamental design for a LCD monitor, as shown and described.

DESCRIPTION

FIG. 1 is a top front perspective view of a LCD monitor showing our new design;

FIG. 2 is a front elevational view thereof;

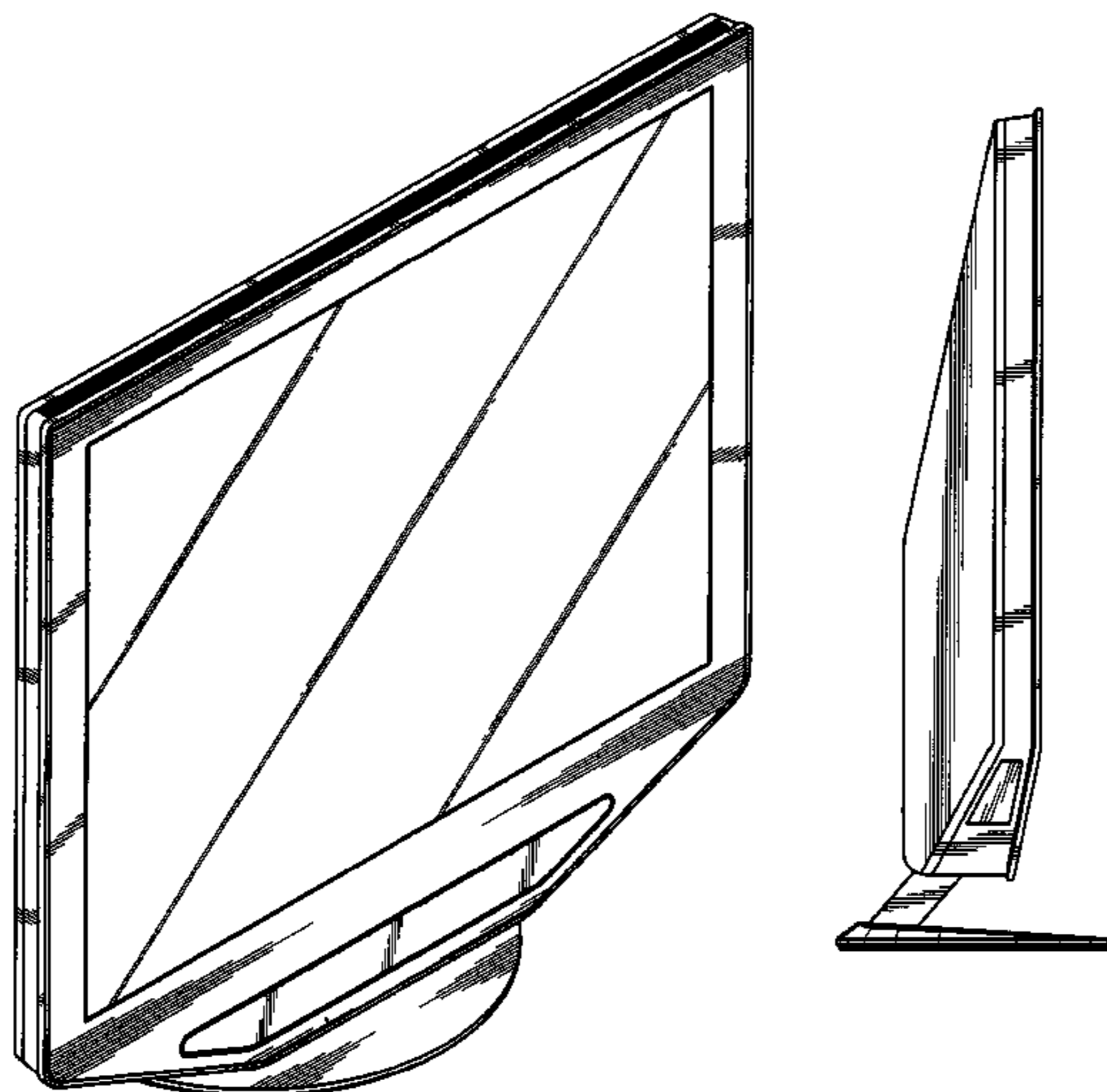
FIG. 3 is a rear elevational view thereof;

FIG. 4 is a left side elevational view, the right side being symmetrical thereof;

FIG. 5 is a top plan view thereof; and,

FIG. 6 is a bottom plan view thereof.

1 Claim, 4 Drawing Sheets



OTHER PUBLICATIONS

- U.S. Appl. No. 29/236,042, Applicant: Yun-Je Kang, et al., filed Aug. 10, 2005, entitled Projection Television.
- U.S. Appl. No. 29/236,043, Applicant: Yun-Je Kang, et al., filed Aug. 10, 2005, entitled Projection Television.
- U.S. Appl. No. 29/236,044, Applicant: Sang-Won Yoon, filed Aug. 10, 2005, entitled LCD Monitor.
- U.S. Appl. No. 29/236,045, Applicant: Yun-Je Kang, et al., filed Aug. 10, 2005, entitled Projection Television.
- U.S. Appl. No. 29/236,046, Applicant: Min-Hyong Boo, et al., filed Aug. 10, 2005, entitled LCD Monitor.
- U.S. Appl. No. 29/236,961, Applicant: Kyoung-Hoon Kim, et al., filed Aug. 24, 2005, entitled Television.
- U.S. Appl. No. 29/236,965, Applicant: Jun-Ho Yang, et al., filed Aug. 24, 2005, entitled Television.
- U.S. Appl. No. 29/236,966, Applicant: Jun-Ho Yang, et al., filed Aug. 24, 2005, entitled LCD Television.
- U.S. Appl. No. 29/236,967, Applicant: Jun-Ho Yang, et al., filed Aug. 24, 2005, entitled Television.
- U.S. Appl. No. 29/236,968, Applicant: Jun-Ho Yang, et al., filed Aug. 24, 2005, entitled Television.
- U.S. Appl. No. 29/236,969, Applicant: Jun-Ho Yang, et al., filed Aug. 24, 2005, entitled Television.
- U.S. Appl. No. 29/240,581, Applicant: Tae-Yeon Won, et al., filed Oct. 14, 2005, entitled LCD Monitor.
- U.S. Appl. No. 29/236,960, Applicant: Baek-Ki Kim, et al., filed Aug. 24, 2005, entitled LCD Monitor.
- U.S. Appl. No. 29/258,362, Applicant: Eui-Seok Kim, filed Apr. 20, 2006, entitled LCD Monitor.
- U.S. Appl. No. 29/258,364, Applicant: Eui-Seok Kim, filed Apr. 20, 2006, entitled LCD Monitor.
- U.S. Appl. No. 29/258,365, Applicant: Eui-Seok Kim, filed Apr. 20, 2006, entitled LCD Monitor.
- U.S. Appl. No. 29/258,366, Applicant: Eui-Seok Kim, filed Apr. 20, 2006, entitled LCD Monitor.
- U.S. Appl. No. 29/258,367, Applicant: Eui-Seok Kim, filed Apr. 20, 2006, entitled LCD Monitor.
- U.S. Appl. No. 29/258,360, Applicant: Eui-Seok Kim, filed Apr. 20, 2006, entitled LCD Monitor.
- U.S. Appl. No. 29/258,368, Applicant: Tae-Yeon Won, et al., filed Apr. 20, 2006, entitled LCD Monitor.

* cited by examiner

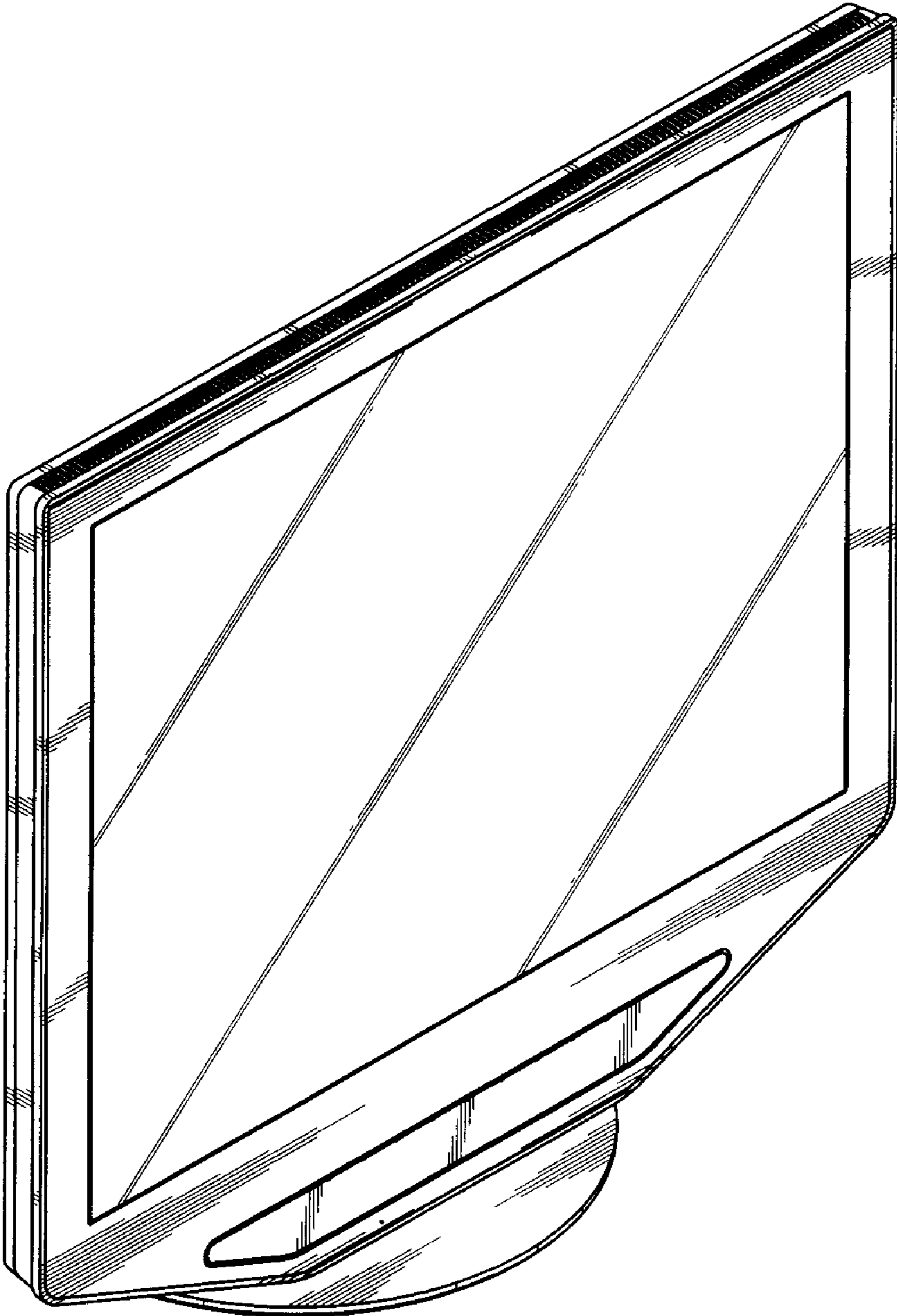


FIG. 1

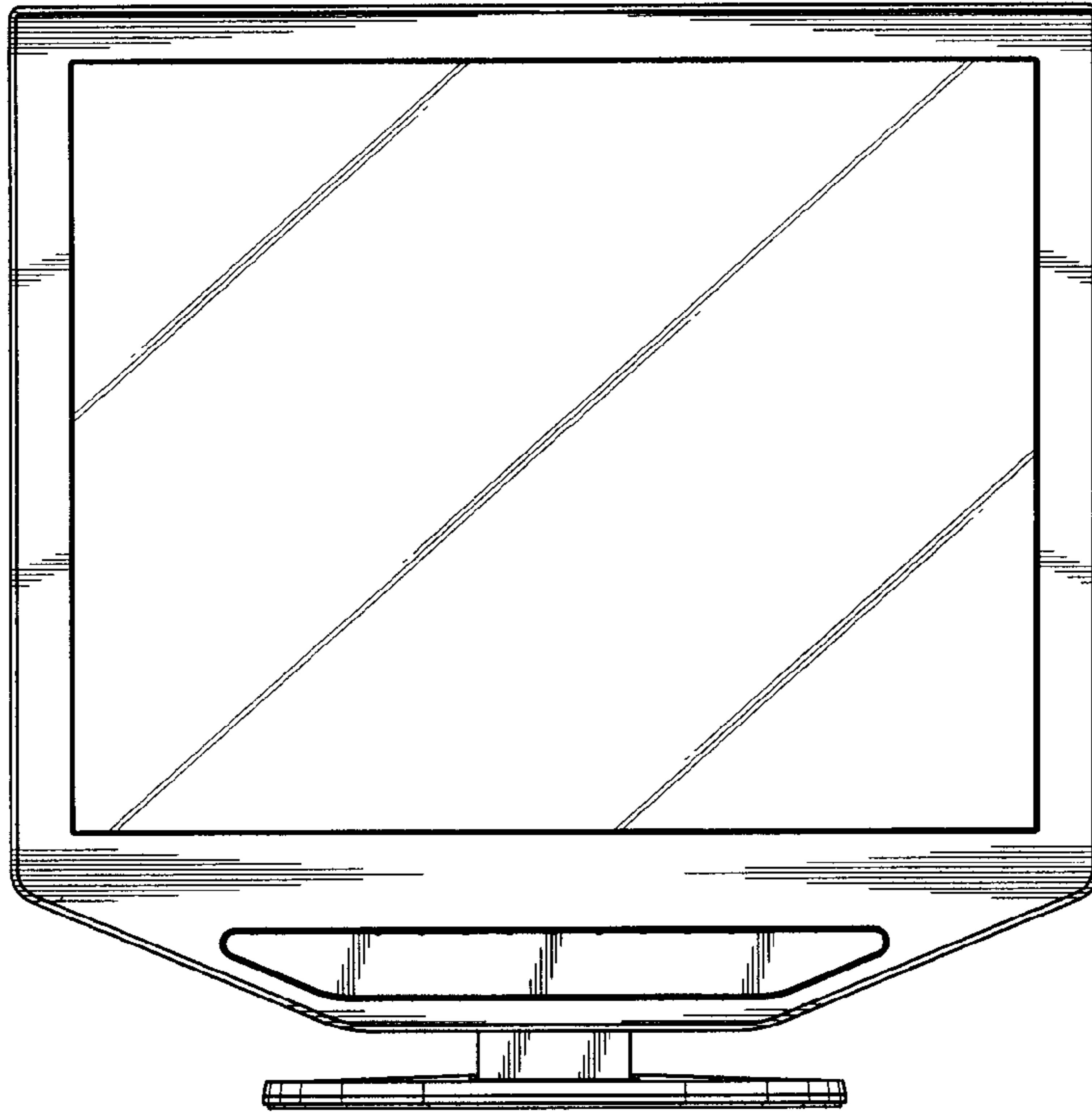


FIG. 2

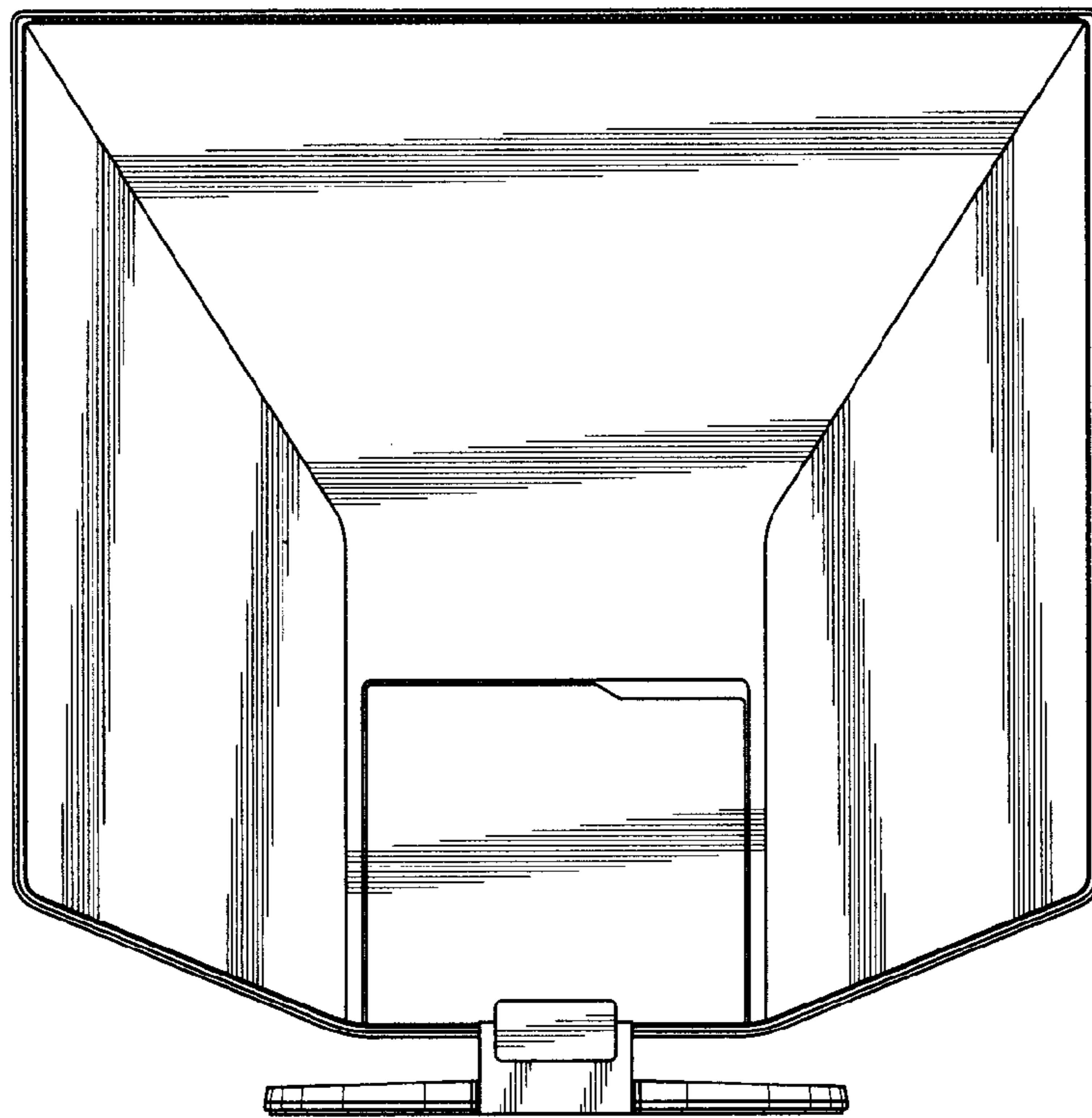


FIG. 3

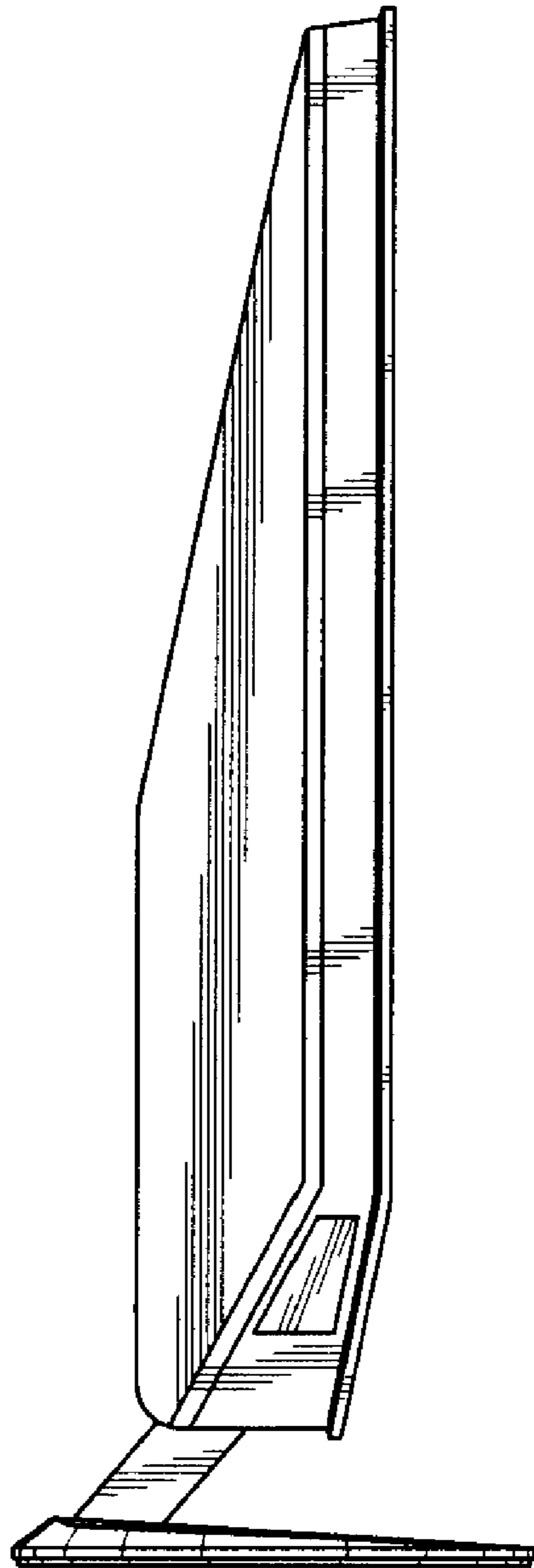


FIG. 4

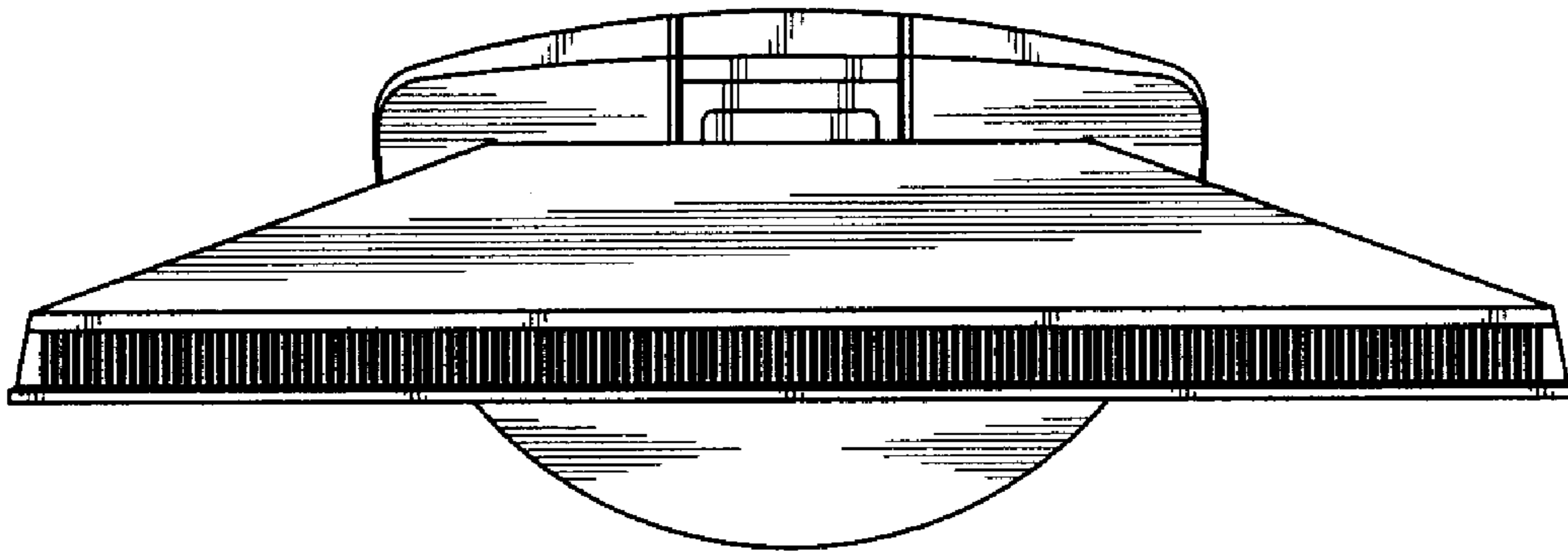


FIG. 5

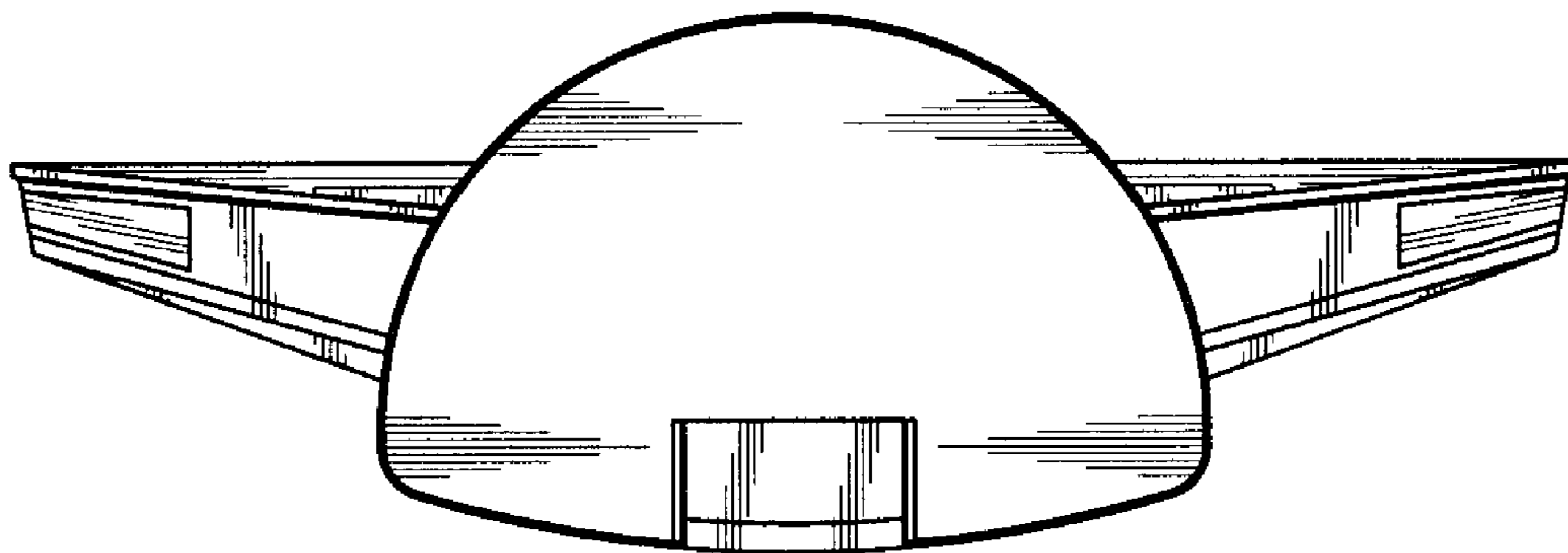


FIG. 6