

US00D546328S

(12) **United States Design Patent**
Kobayakawa

(10) **Patent No.:** **US D546,328 S**

(45) **Date of Patent:** **** Jul. 10, 2007**

(54) **TRANSCIVER WITH USB MEMORY**

(75) Inventor: **Tatsutoshi Kobayakawa**, Tokyo (JP)

(73) Assignee: **Tanita Corporation**, Tokyo (JP)

(**) Term: **14 Years**

(21) Appl. No.: **29/258,673**

(22) Filed: **Apr. 26, 2006**

(30) **Foreign Application Priority Data**

Oct. 31, 2005 (JP) 2005-031796

(51) **LOC (8) Cl.** **14-02**

(52) **U.S. Cl.** **D14/358; D14/356; D14/435**

(58) **Field of Classification Search** D14/137,
D14/156, 167, 240, 242, 299, 348, 356, 358,
D14/384-385, 402, 432-5, 496; 361/685-6;
365/63, 131; 439/139-41, 144, 518, 638;
710/62, 74

See application file for complete search history.

(56) **References Cited**

U.S. PATENT DOCUMENTS

6,456,500	B1 *	9/2002	Chen	361/752
D470,499	S *	2/2003	Salazar et al.	D14/436
D479,712	S *	9/2003	Ng	D14/156
D486,806	S *	2/2004	Takayama et al.	D14/137
D490,068	S *	5/2004	Chen	D14/156
D494,969	S *	8/2004	Lin	D14/356
D507,779	S *	7/2005	Mazzullo et al.	D13/146
6,926,544	B2 *	8/2005	Lee	439/147
D513,005	S *	12/2005	Kobayakawa	D14/435
7,004,780	B1 *	2/2006	Wang	439/353
D520,995	S *	5/2006	Chang	D14/356
D522,506	S *	6/2006	Chen	D14/356
7,125,265	B2 *	10/2006	Weng	439/131

OTHER PUBLICATIONS

USB PDF's <http://www.globalsources.com/gsol/1/Memory-card/p/bg/1002627168.htm>, Jan. 8, 2007.*

<http://www.globalsources.com/gsol/1/Memory-card/p/bg/1001397133.htm>, Jan. 8, 2007.*

* cited by examiner

Primary Examiner—Robin Webster

Assistant Examiner—Karen E. Patterson

(74) *Attorney, Agent, or Firm*—McDermott Will & Emery LLP

(57) **CLAIM**

The ornamental design for a transceiver with USB memory, as shown and described.

DESCRIPTION

FIG. 1 is a front perspective view of the transceiver with USB memory with its plug retracted, showing the new design;

FIG. 2 is a front view of the transceiver with USB memory with its plug retracted;

FIG. 3 is a rear view of the transceiver with USB memory with its plug retracted;

FIG. 4 is a side view of the transceiver with USB memory with its plug retracted;

FIG. 5 is an opposite side view of the transceiver with USB memory with its plug retracted;

FIG. 6 is a top view of the transceiver with USB memory with its plug retracted;

FIG. 7 is a bottom view of the transceiver with USB memory with its plug retracted;

FIG. 8 is a front perspective view of the transceiver with USB memory with its plug extended;

FIG. 9 is a front view of the transceiver with USB memory with its plug extended;

FIG. 10 is a rear view of the transceiver with USB memory with its plug extended;

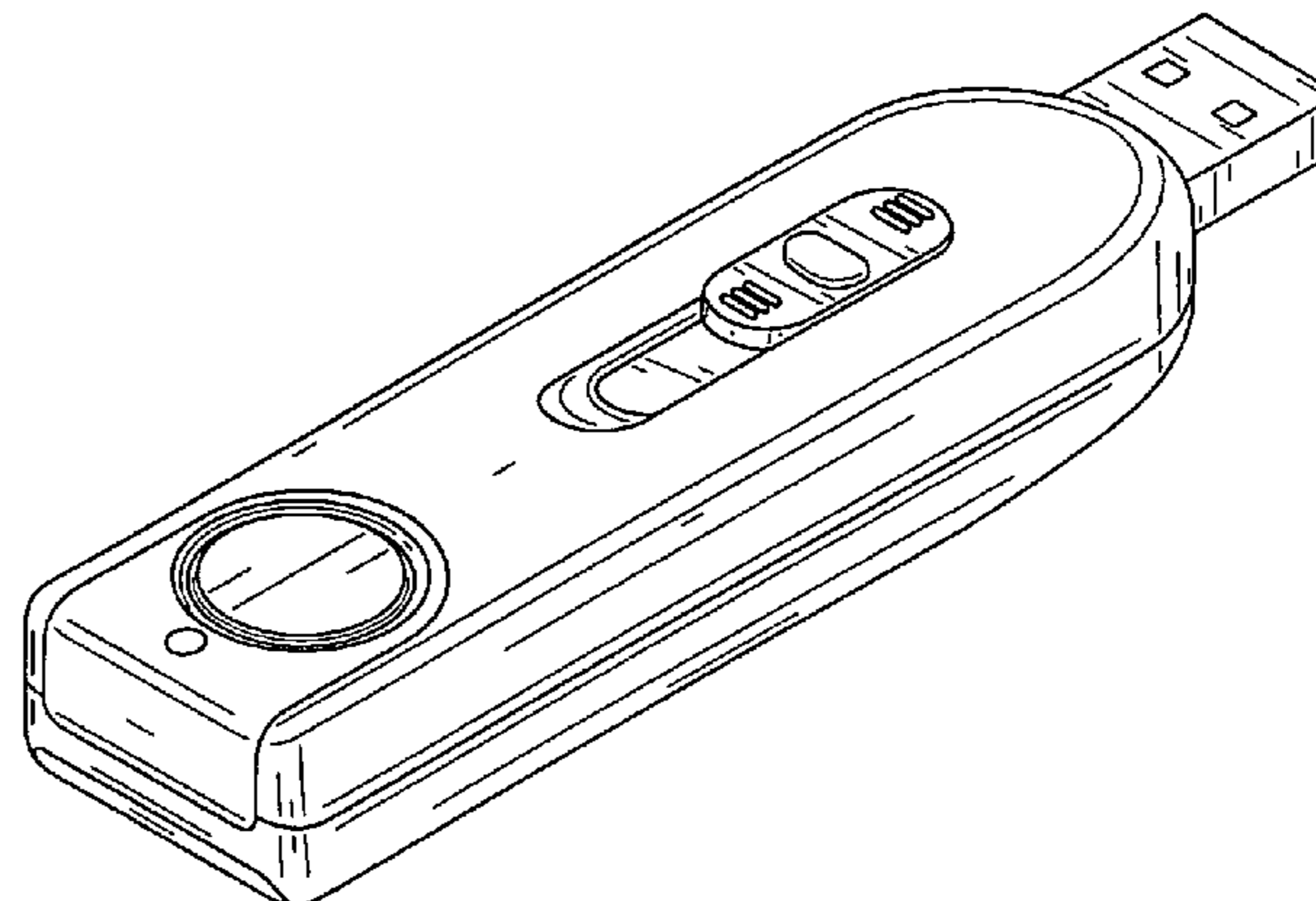
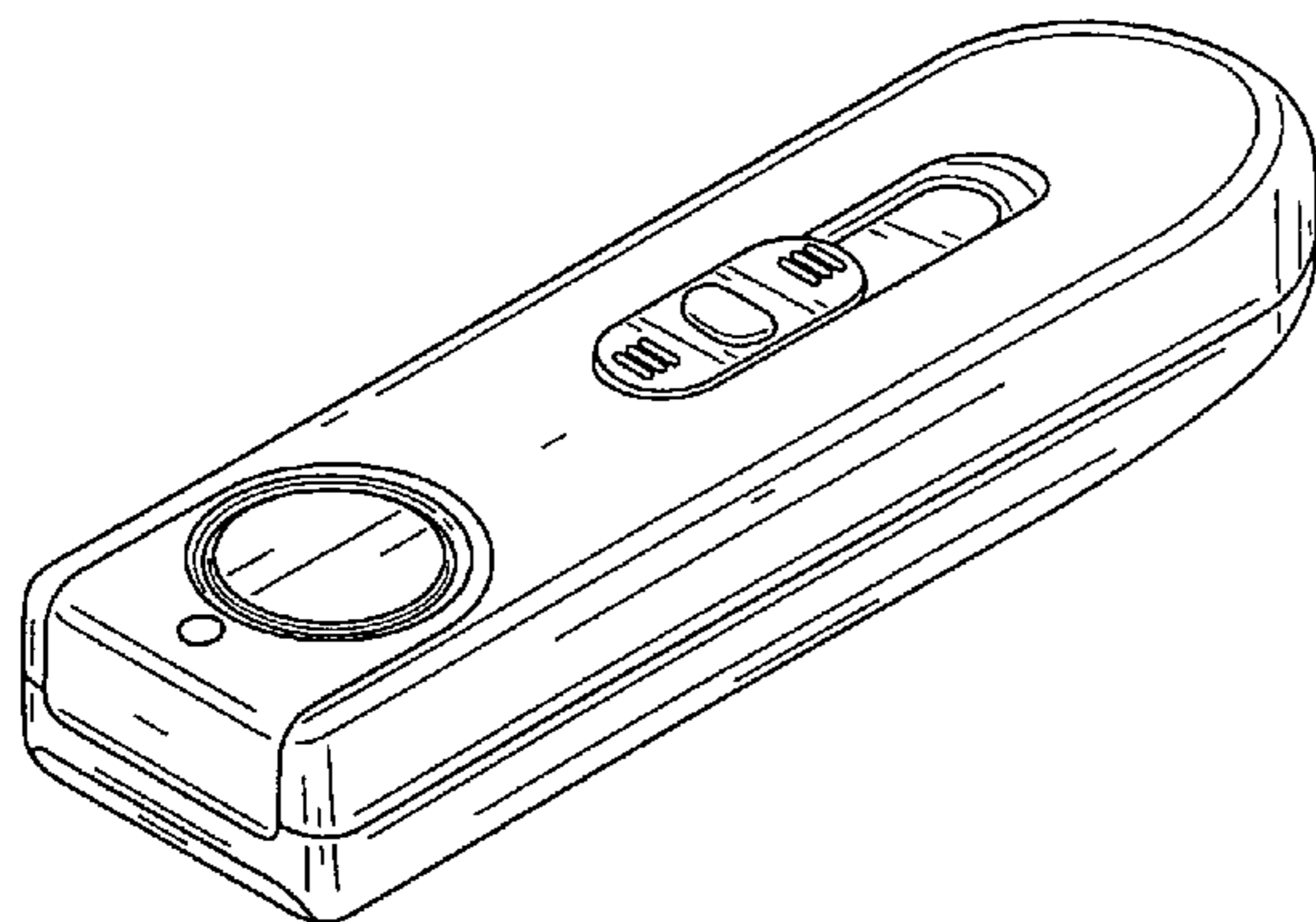
FIG. 11 is a side view of the transceiver with USB memory with its plug extended;

FIG. 12 is an opposite side view of the transceiver with USB memory with its plug extended;

FIG. 13 is a top view of the transceiver with USB memory with its plug extended; and,

FIG. 14 is a bottom view of the transceiver with USB memory with its plug extended.

1 Claim, 10 Drawing Sheets



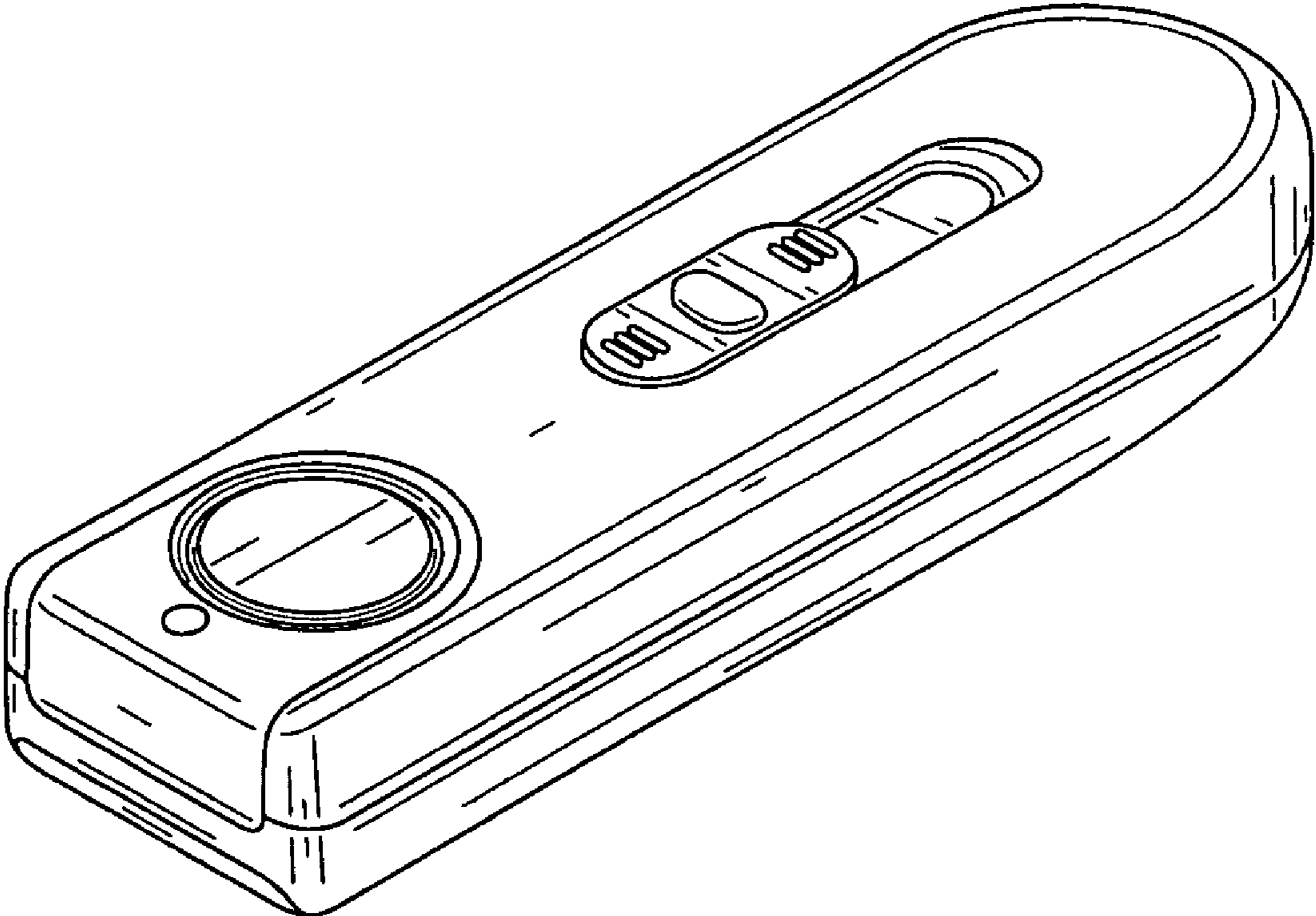


FIG. 1

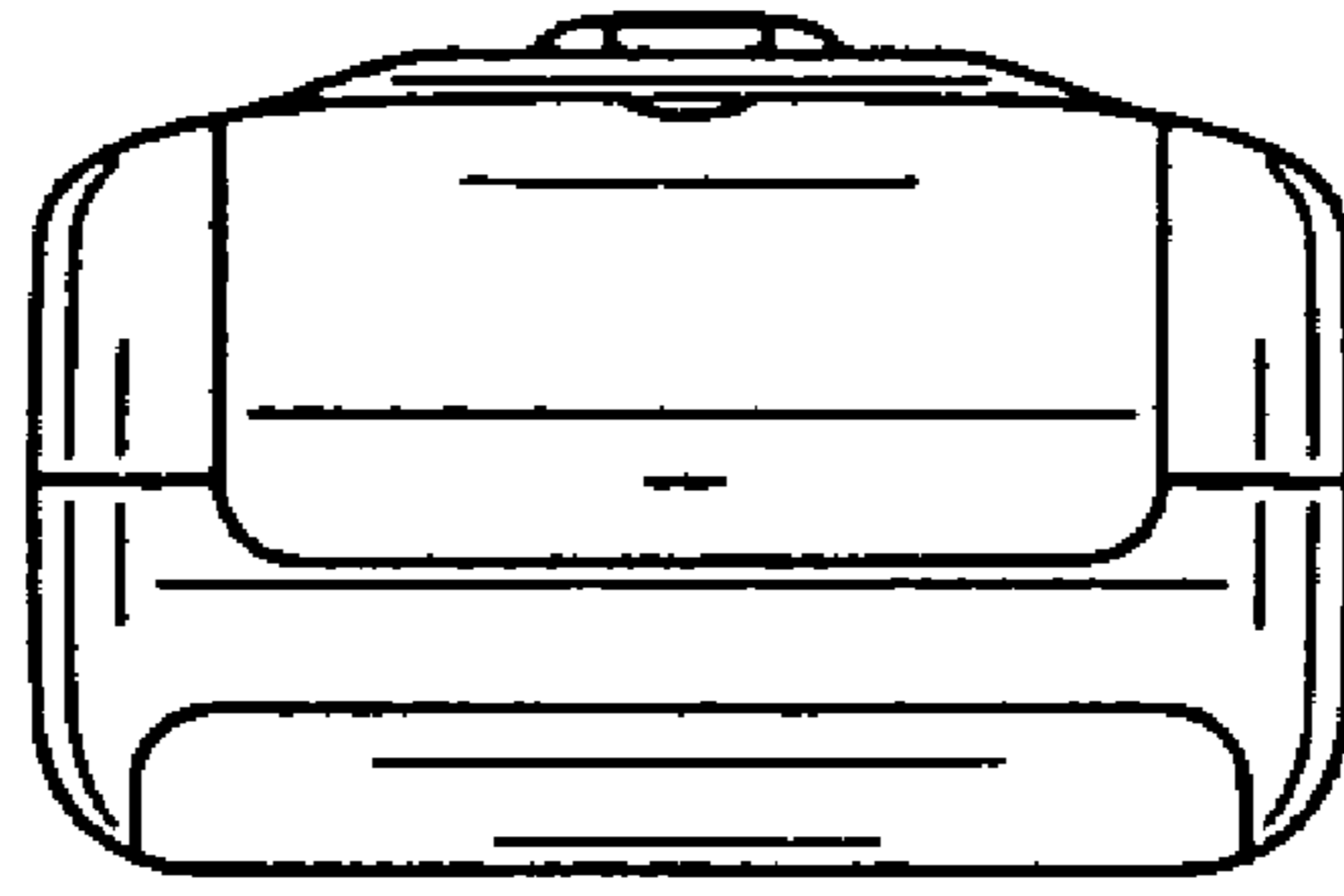


FIG. 2

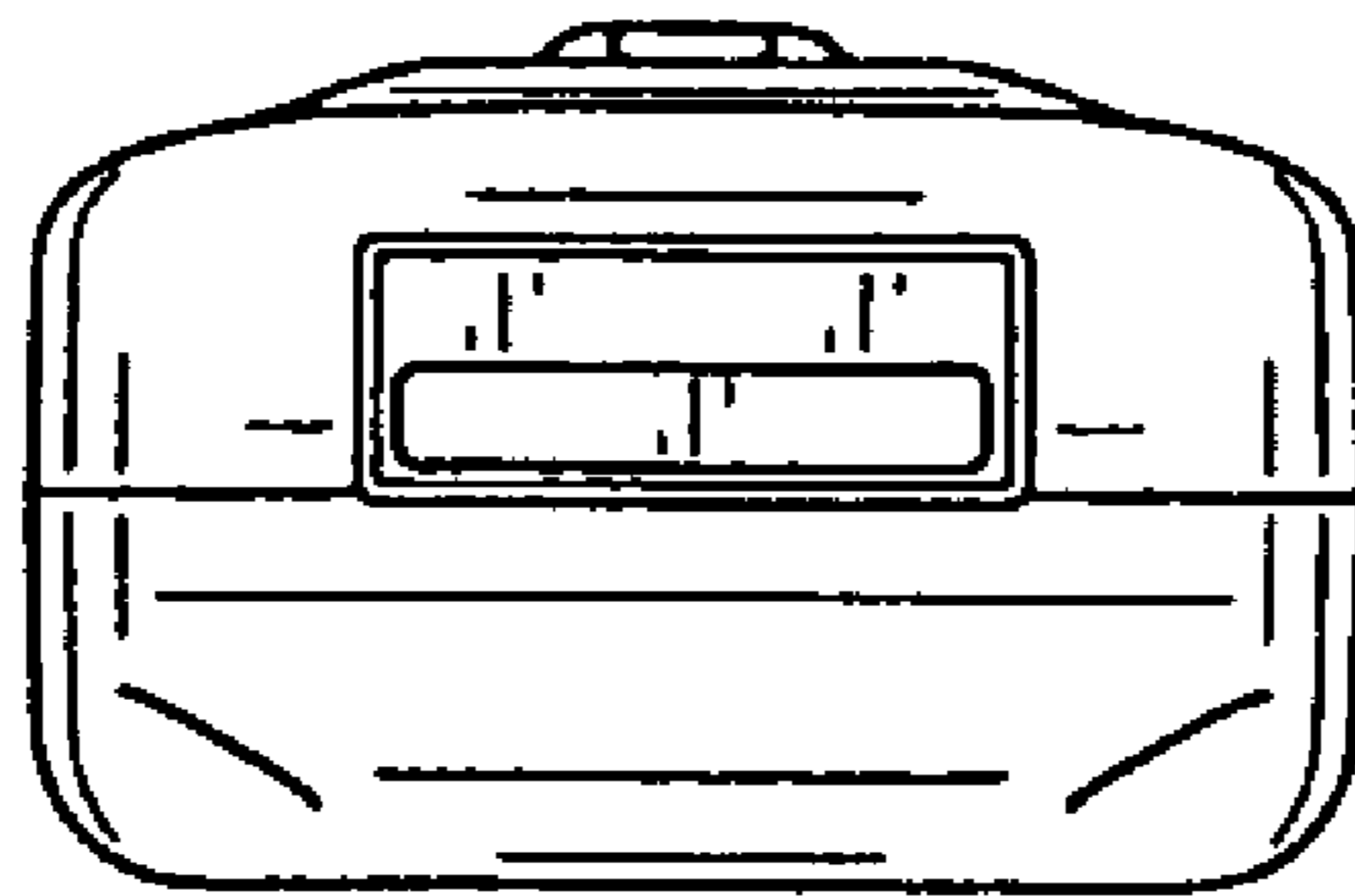


FIG. 3

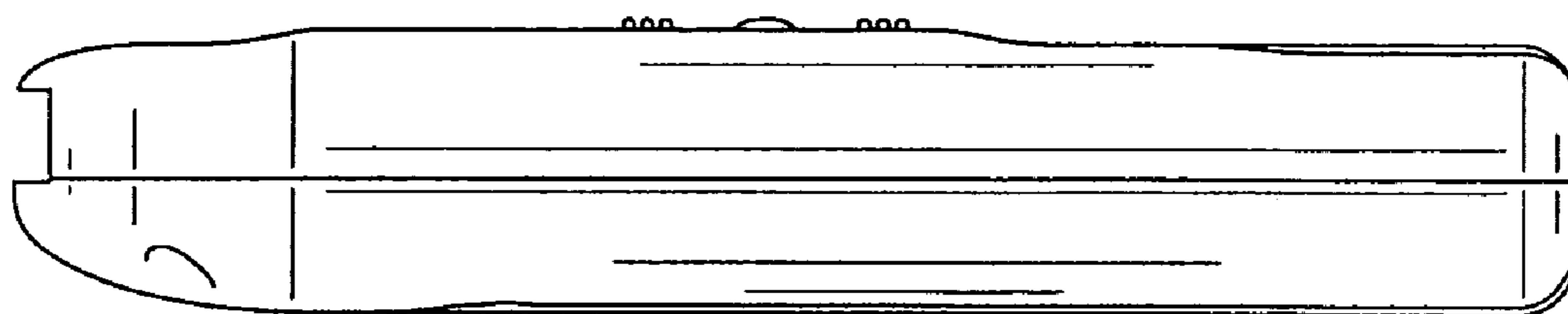


FIG. 4

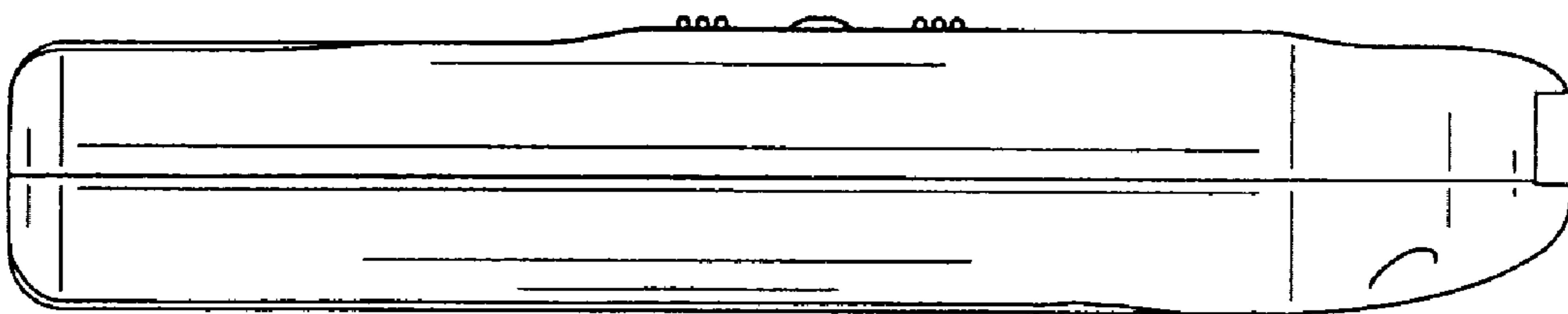


FIG. 5

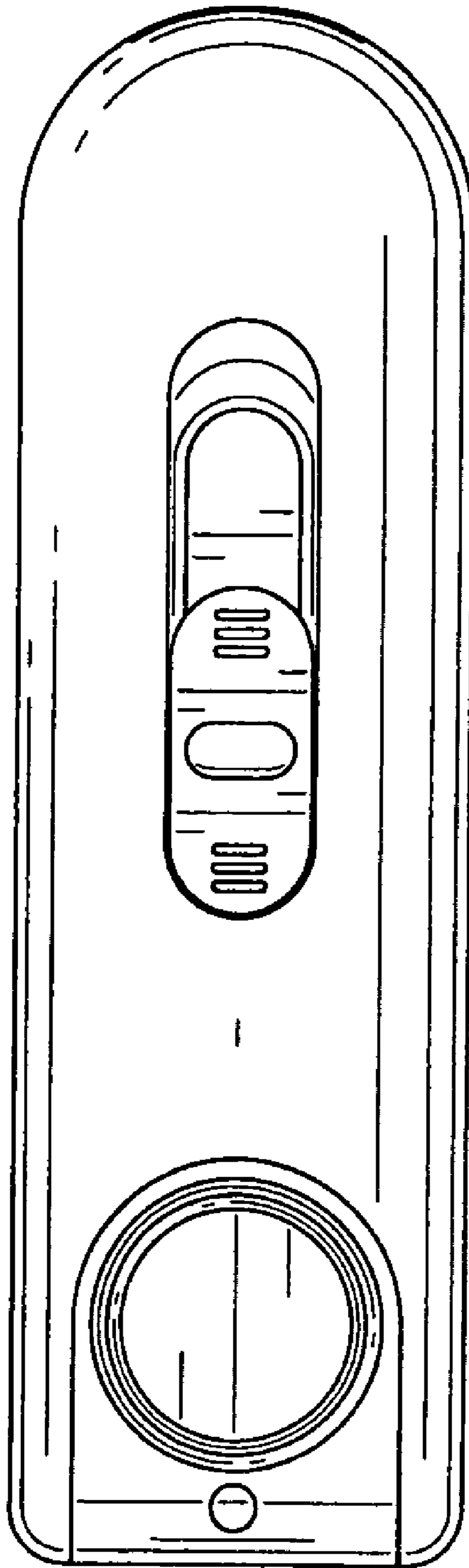


FIG. 6

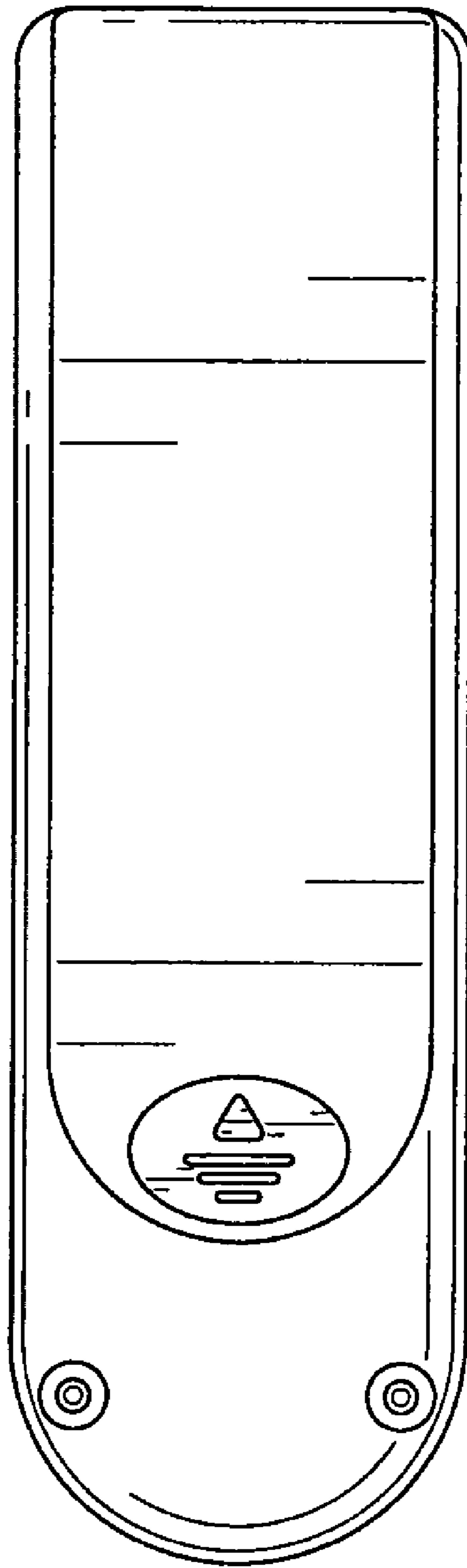


FIG. 7

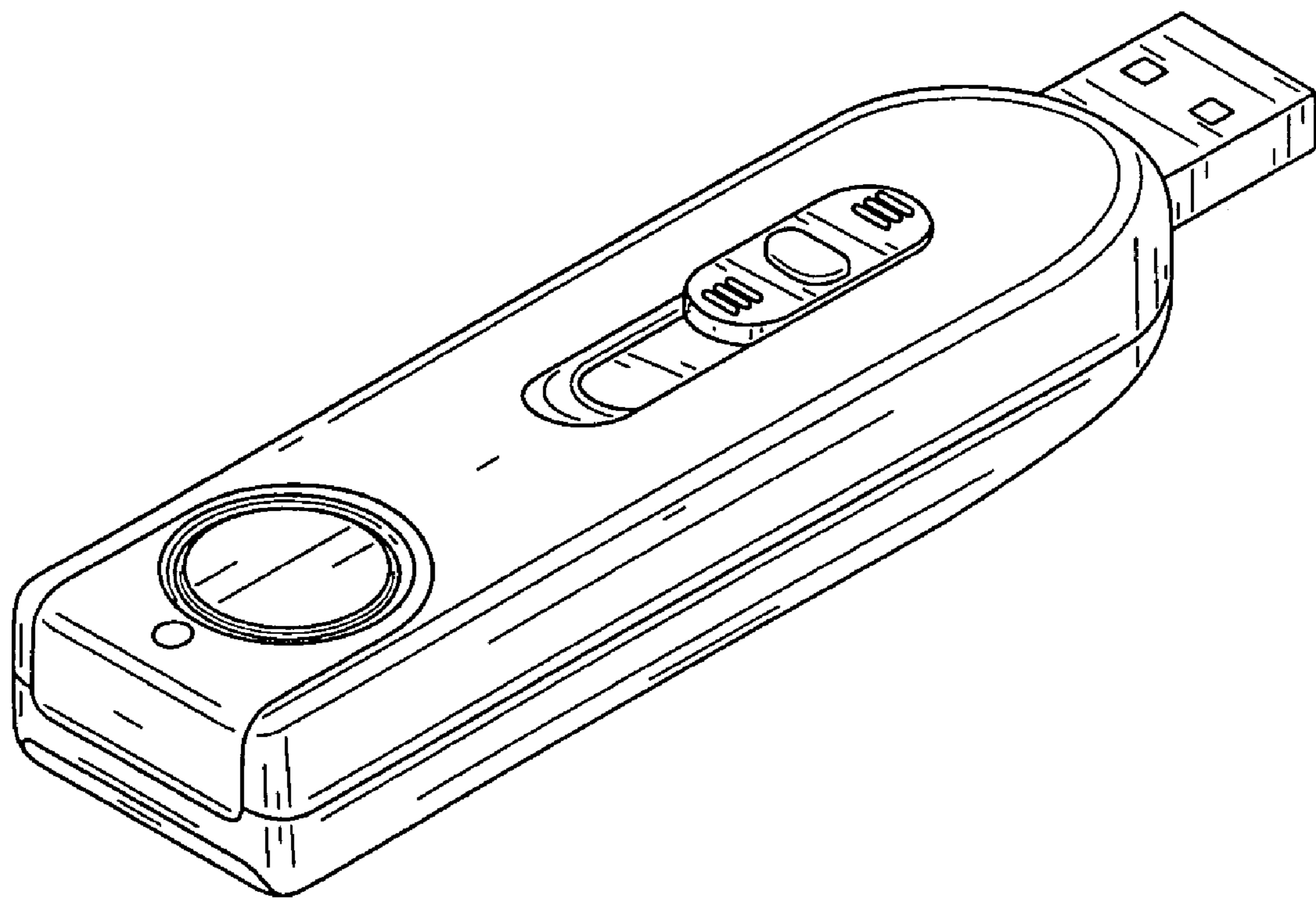


FIG. 8

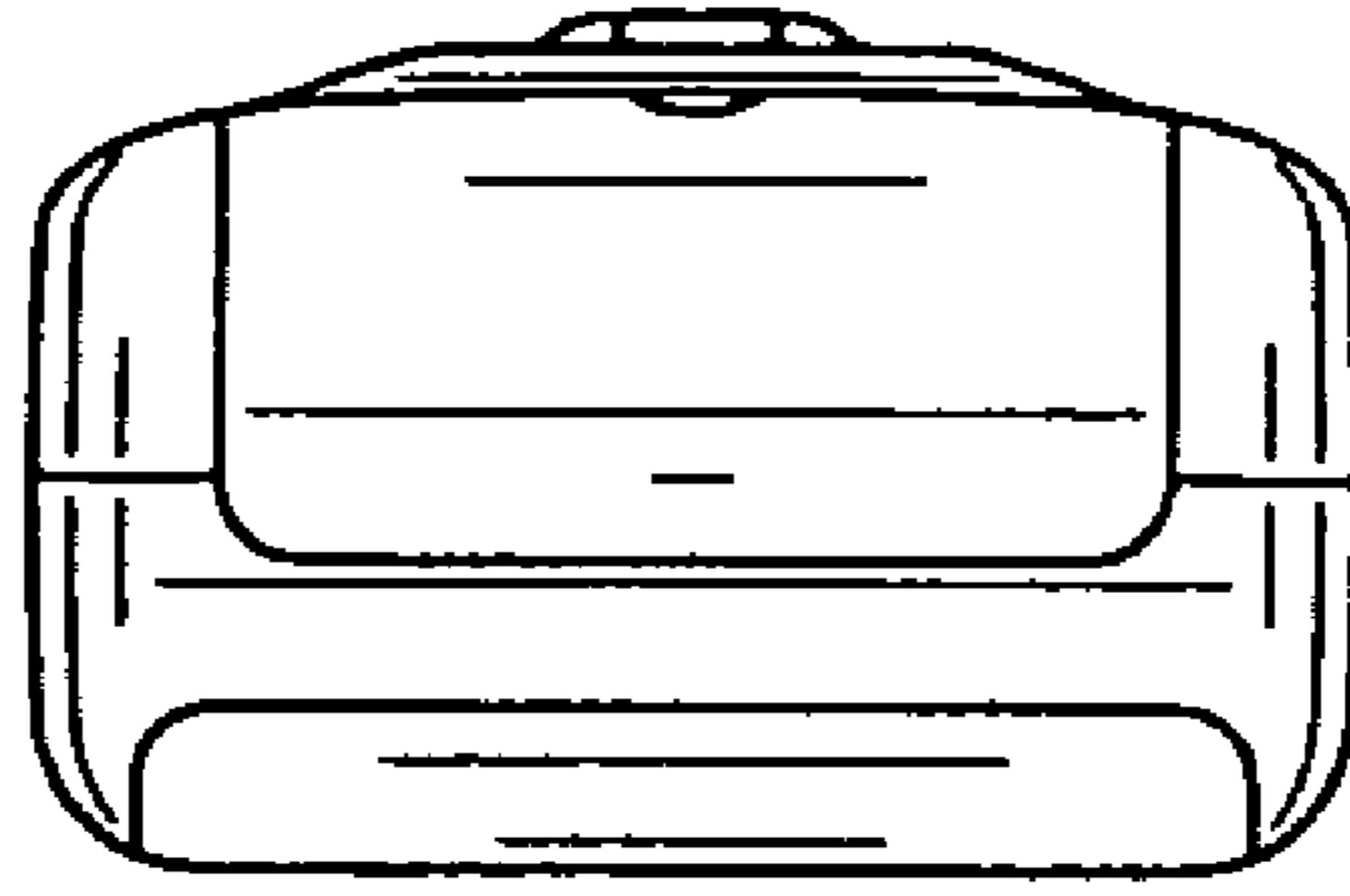


FIG. 9

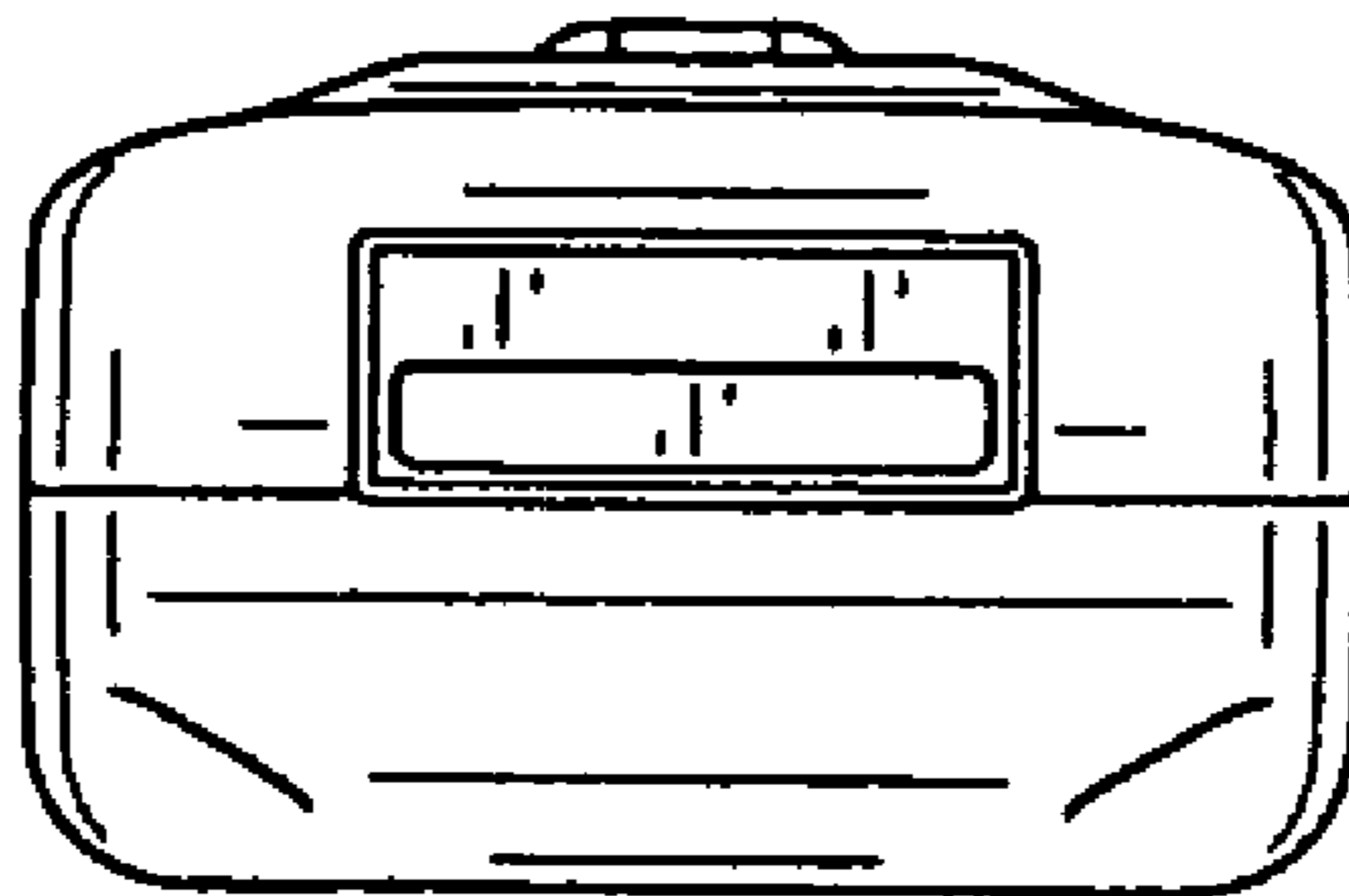


FIG. 10

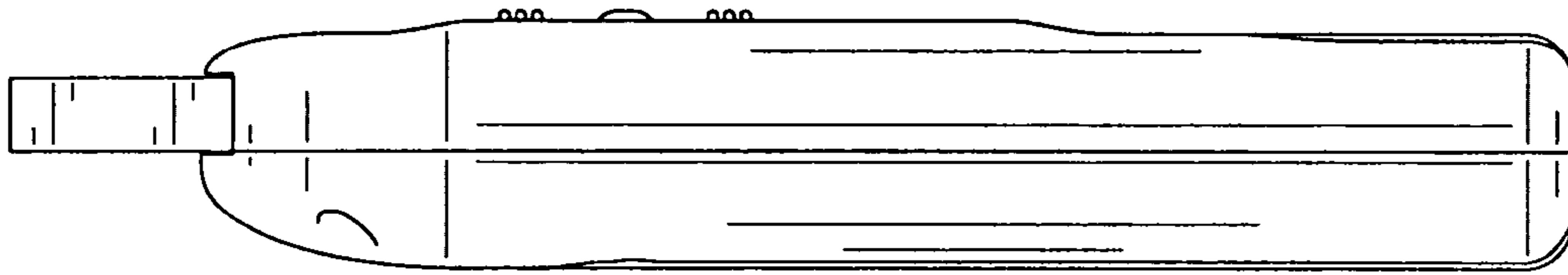


FIG. 11

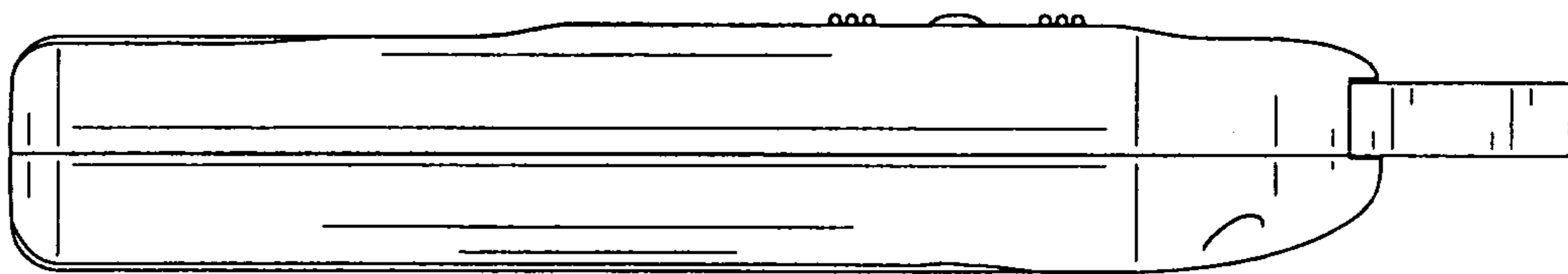


FIG. 12

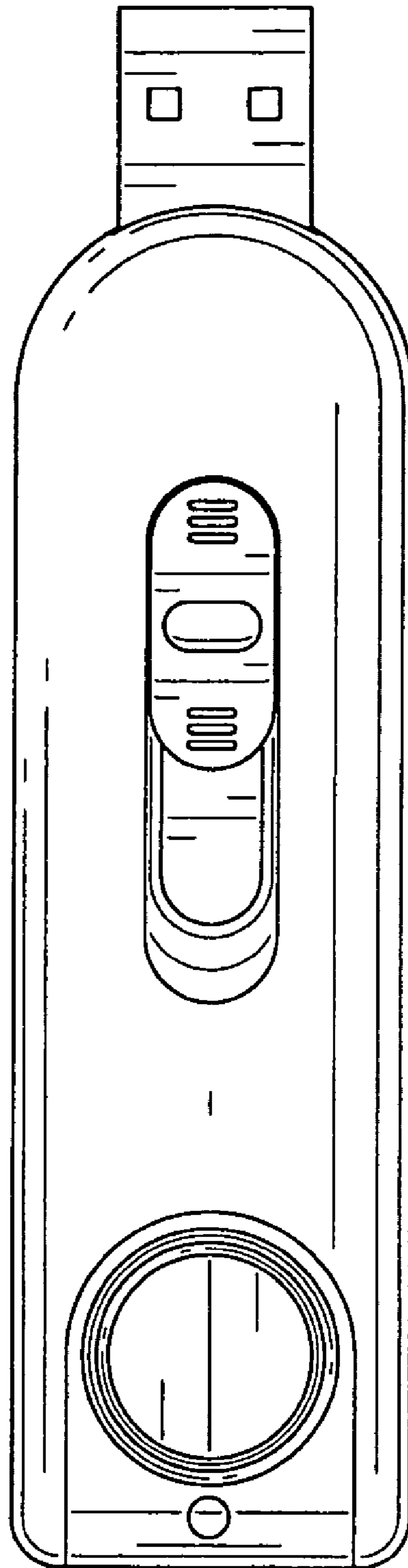


FIG. 13

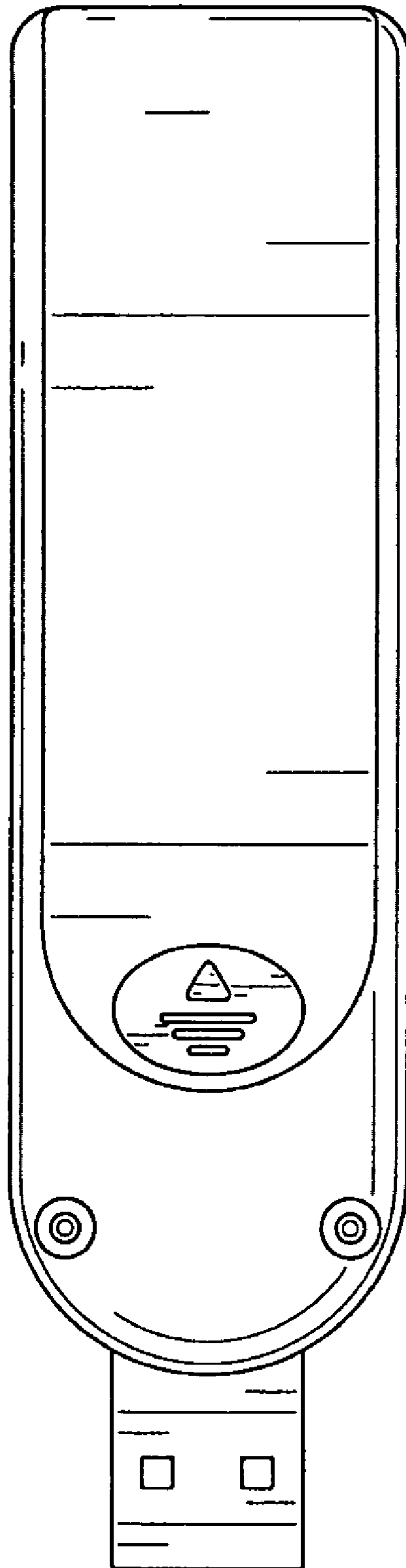


FIG. 14