

US00D546327S

(12) **United States Design Patent**  
**Chen**

(10) **Patent No.:** **US D546,327 S**

(45) **Date of Patent:** **\*\* Jul. 10, 2007**

(54) **MEMORY-CARD TYPE USB MASS STORAGE DEVICE**

(76) Inventor: **I-Ming Chen**, 12F, No. 1, Wanning Street, Wunshan District, Taipei City 116 (TW)

(\*\*) Term: **14 Years**

(21) Appl. No.: **29/239,202**

(22) Filed: **Sep. 28, 2005**

(51) **LOC (8) Cl.** ..... **14-02**

(52) **U.S. Cl.** ..... **D14/356; D14/433; D14/435**

(58) **Field of Classification Search** ..... D14/137, D14/156, 167, 240, 242, 299, 348, 356, 384-5, D14/402, 432-435, 496; 361/685-6, 752, 361/737; 365/63, 131; 439/131, 139-41, 439/144, 152, 518, 528, 638; 710/62, 74; D13/110, 133

See application file for complete search history.

(56) **References Cited**

**U.S. PATENT DOCUMENTS**

D408,384 S *	4/1999	Hata et al. ....	D14/433
5,933,328 A *	8/1999	Wallace et al. ....	361/737
D433,416 S *	11/2000	Strand et al. ....	D14/426
D445,422 S *	7/2001	Hsin .....	D14/385
6,385,677 B1 *	5/2002	Yao .....	711/115
D462,689 S *	9/2002	Moran .....	D14/433
D479,712 S *	9/2003	Ng .....	D14/156
D486,484 S *	2/2004	Bloomberg et al. ....	D14/248
D488,464 S *	4/2004	Lin et al. ....	D14/242

D492,307 S *	6/2004	Aqqad et al. ....	D14/356
6,758,688 B2 *	7/2004	Chen .....	439/135
6,768,645 B2 *	7/2004	Kadonaga .....	361/737
D496,364 S *	9/2004	Saito .....	D14/385

**FOREIGN PATENT DOCUMENTS**

DE 000355268-0001 \* 6/2005

\* cited by examiner

*Primary Examiner*—Robin Webster

*Assistant Examiner*—Karen E. Patterson

(74) *Attorney, Agent, or Firm*—Birch, Stewart, Kolasch & Birch, LLP

(57) **CLAIM**

The ornamental design for a “memory-card type USB mass storage device,” as shown and described.

**DESCRIPTION**

FIG. 1 is a perspective view of a memory-card type USB mass storage device showing my new design.

FIG. 2 is a front view thereof;

FIG. 3 is a back view thereof;

FIG. 4 is a left side view thereof;

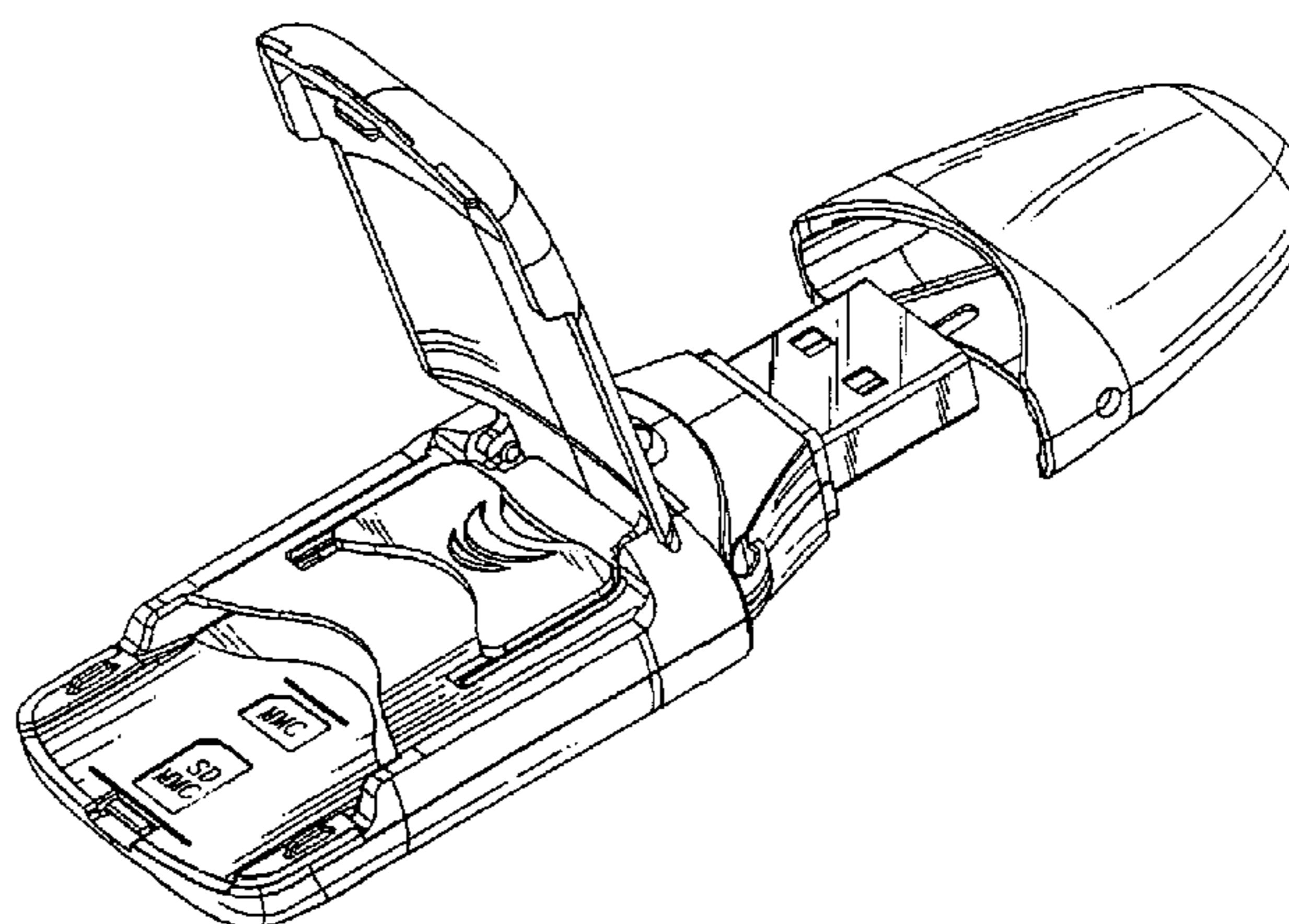
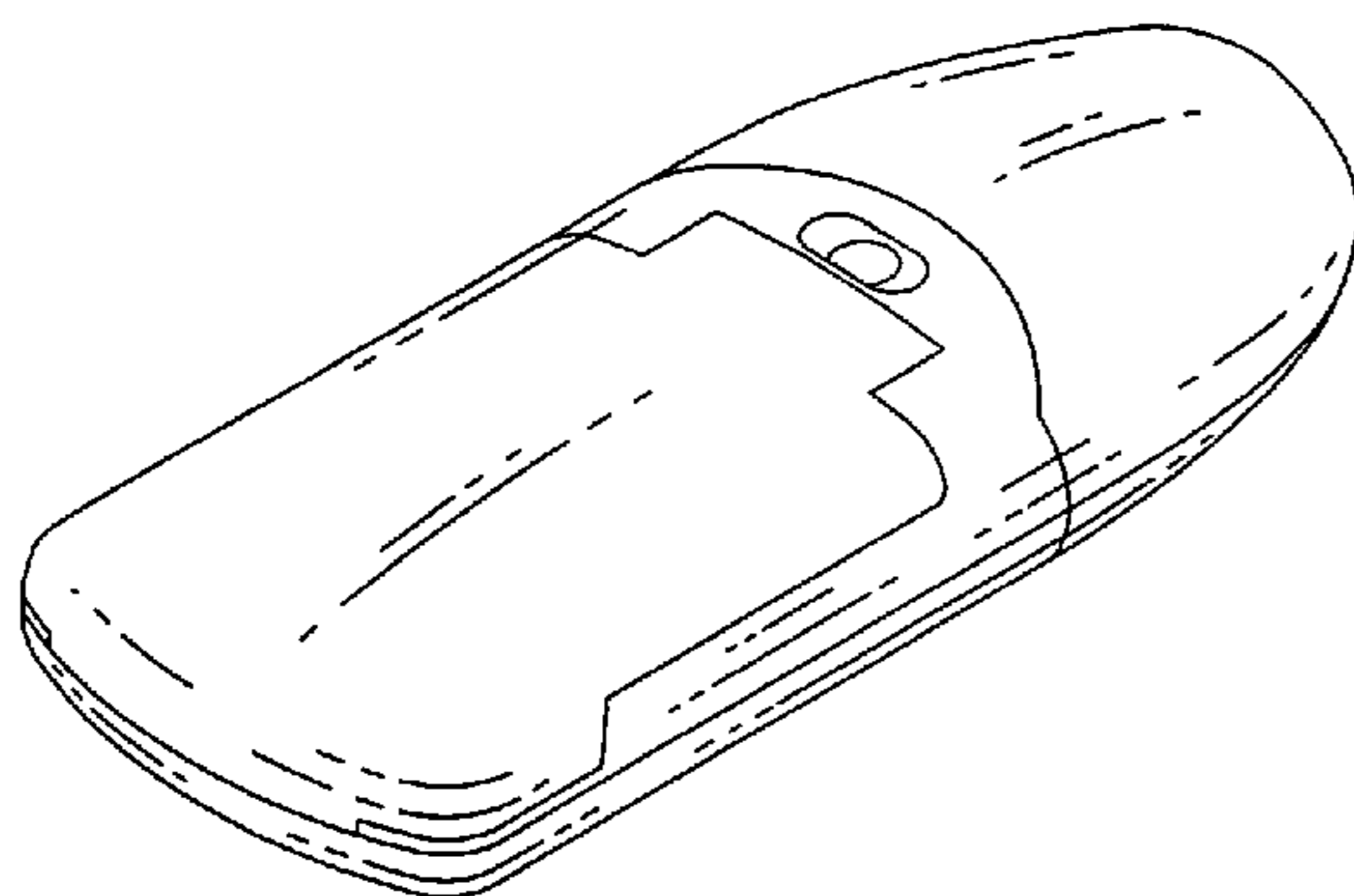
FIG. 5 is a right side view thereof;

FIG. 6 is a top plan view thereof;

FIG. 7 is a bottom plan view thereof; and,

FIG. 8 is an exploded view in an alternate position.

**1 Claim, 5 Drawing Sheets**



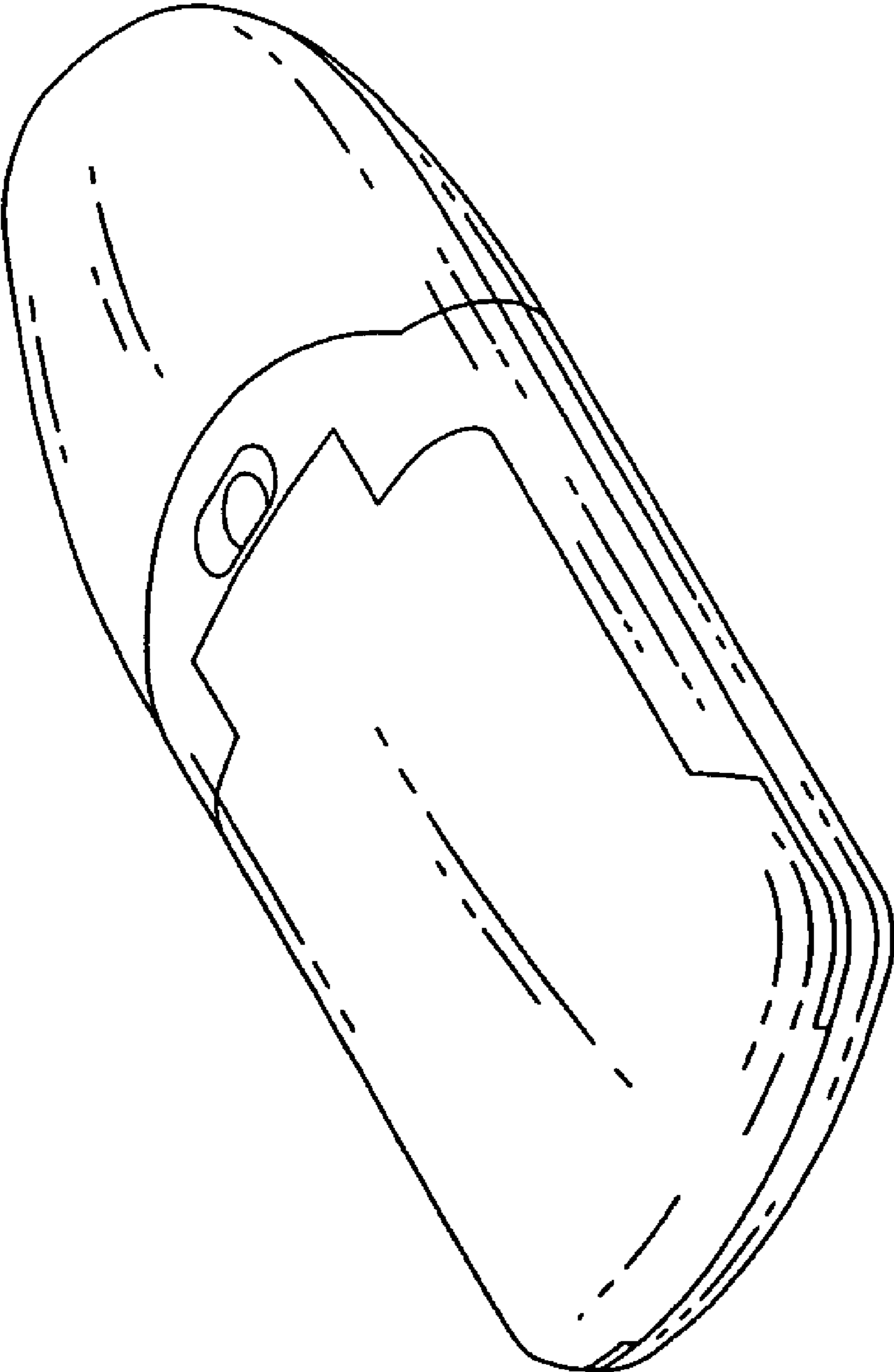


FIG. 1

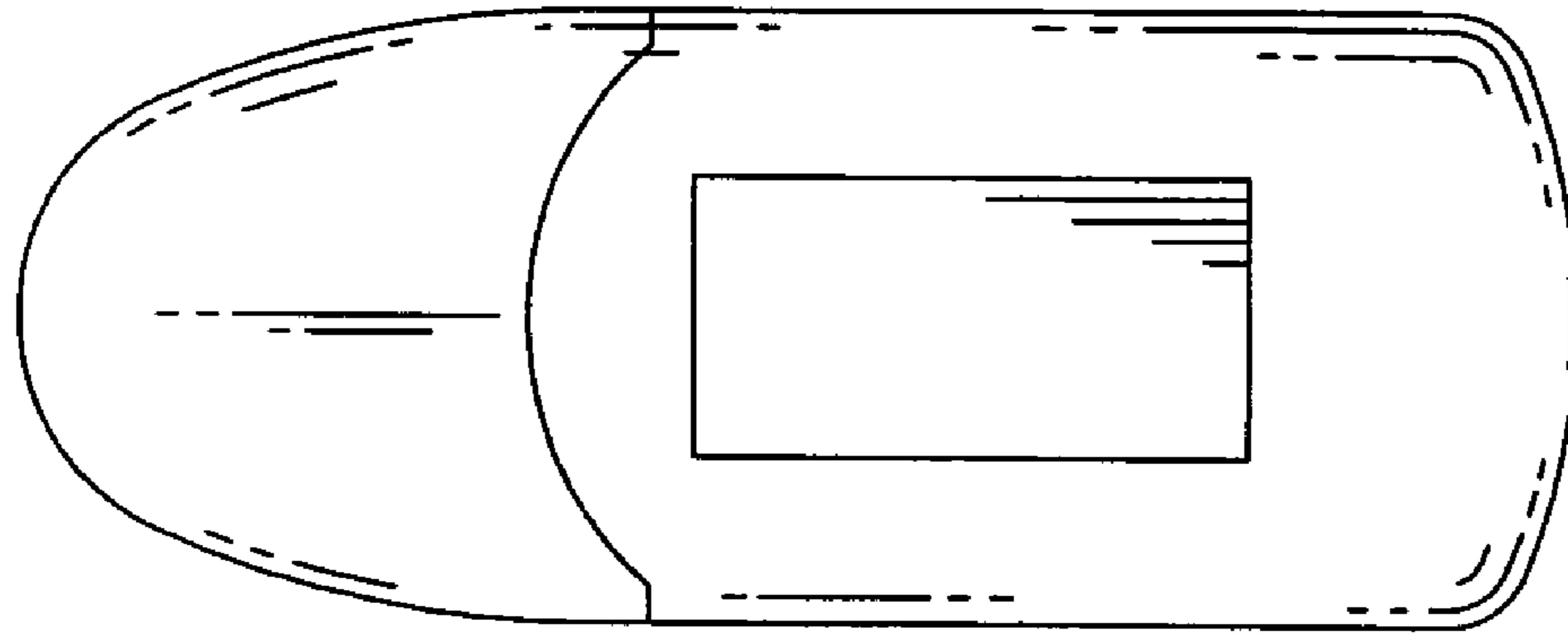


FIG. 2

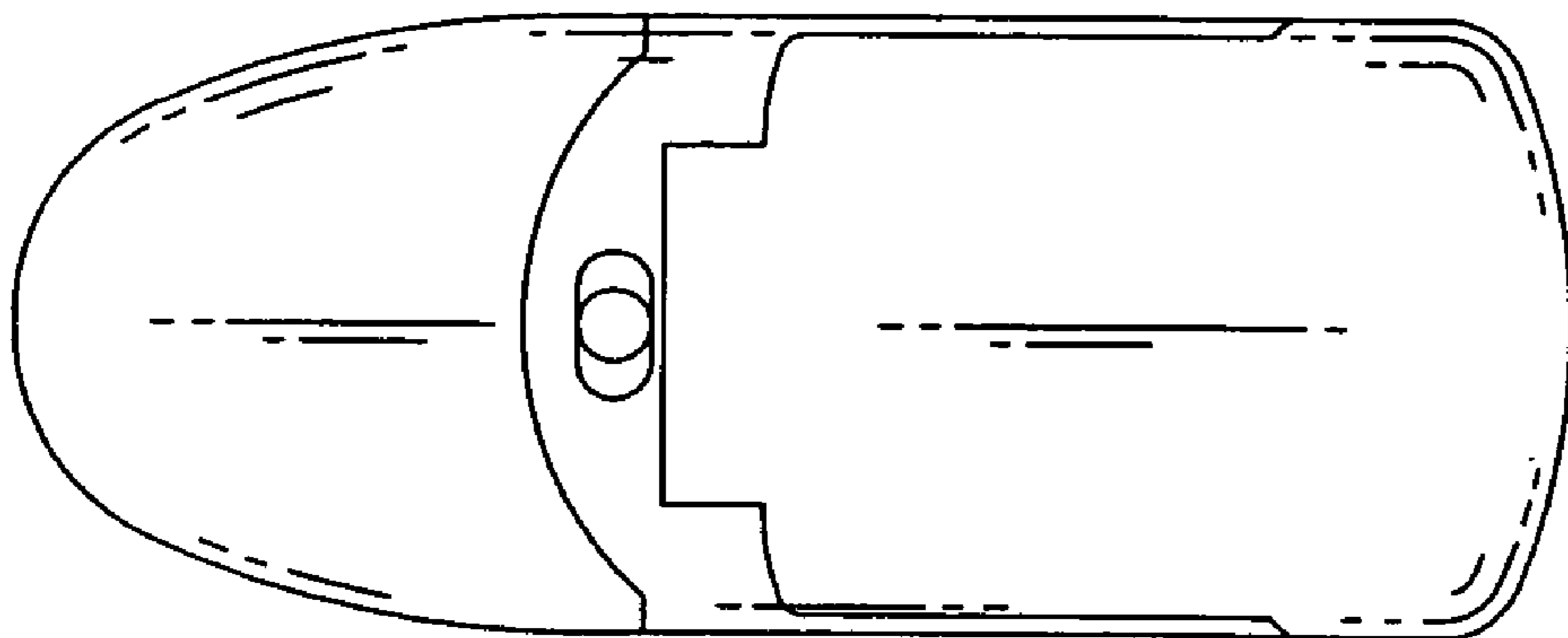


FIG. 3

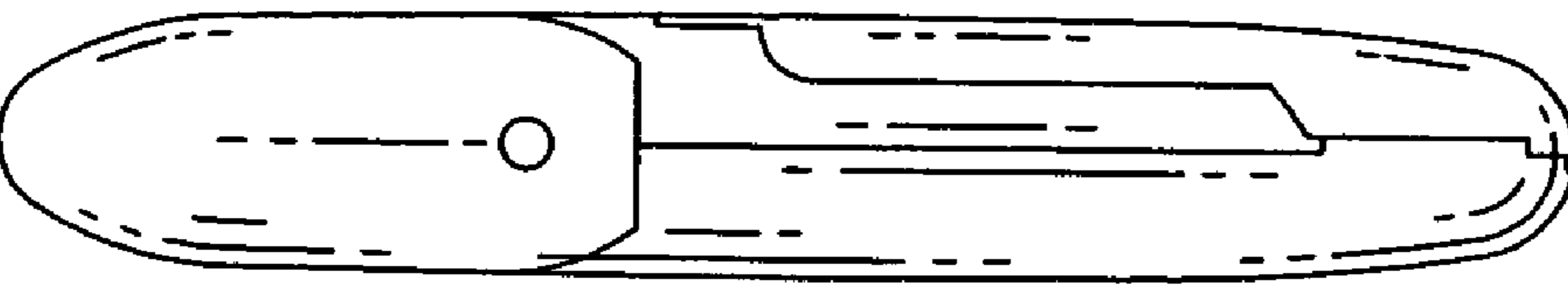


FIG. 4

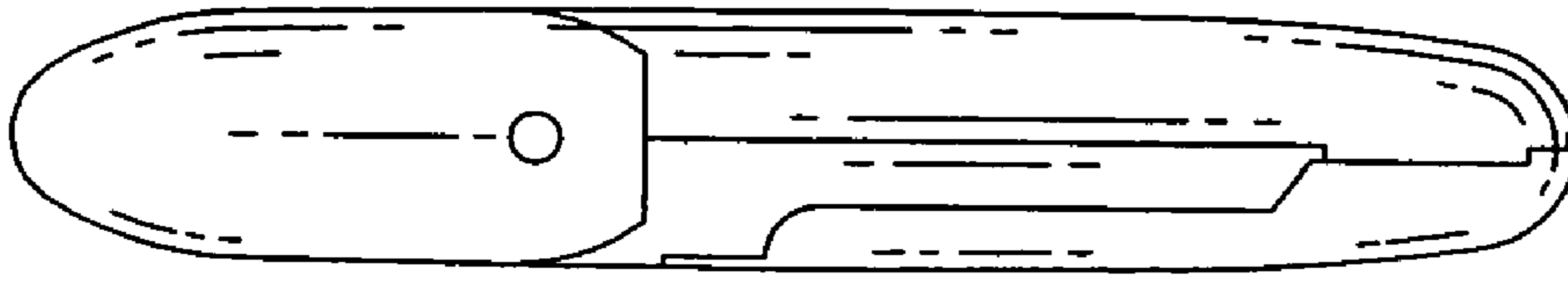


FIG. 5

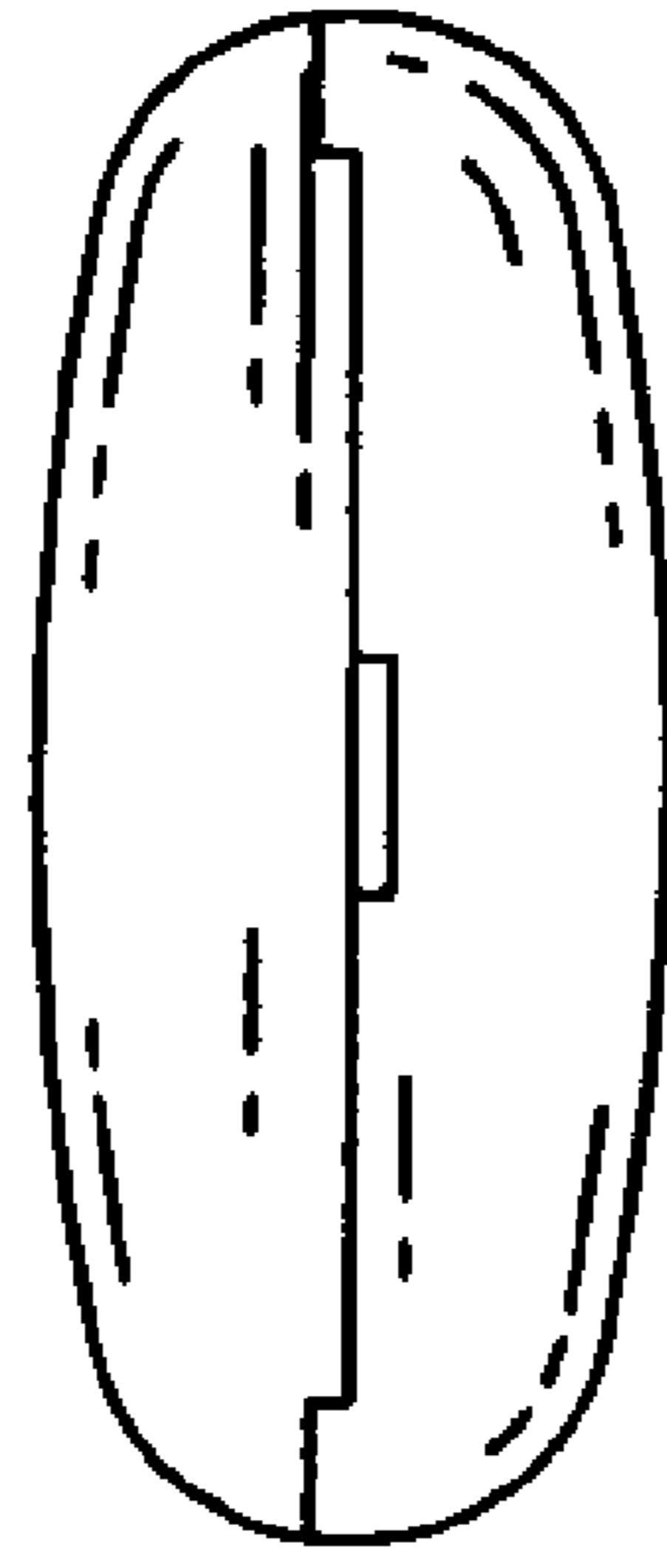


FIG. 7

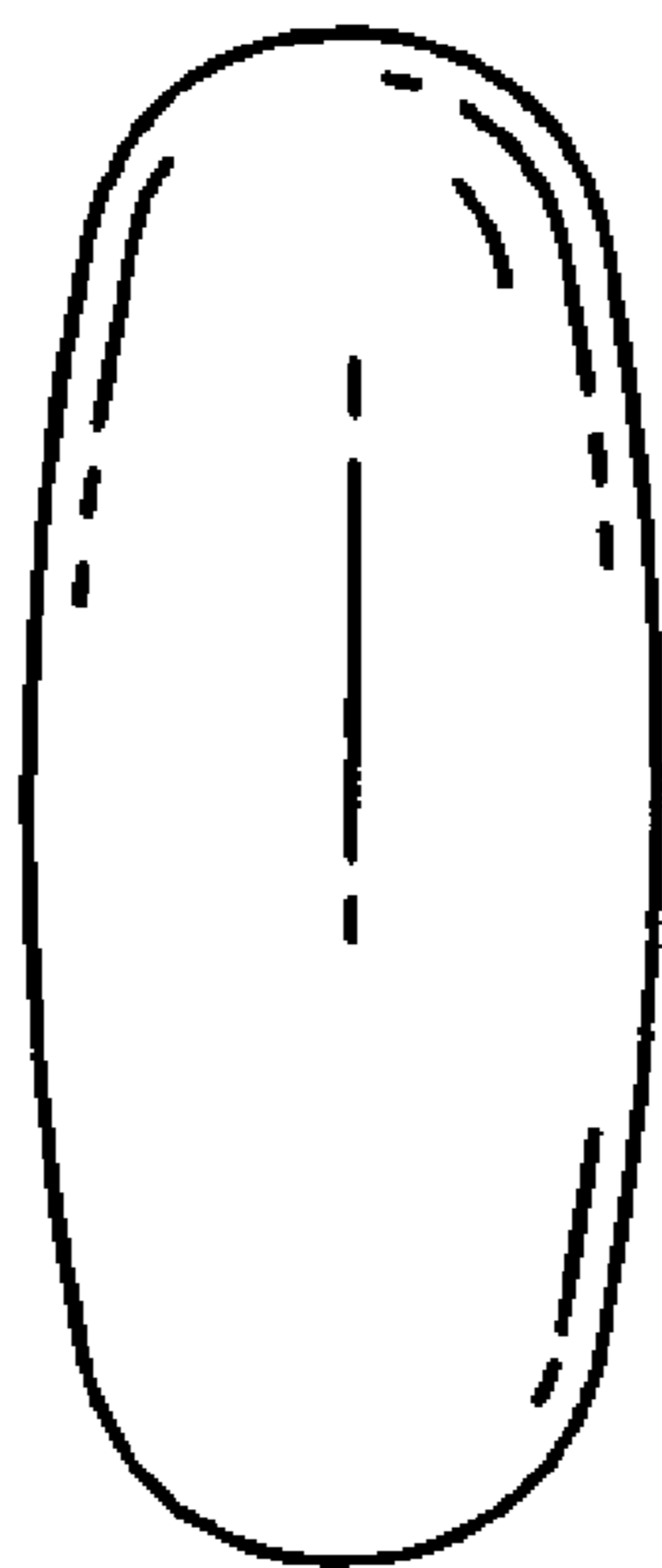


FIG. 6

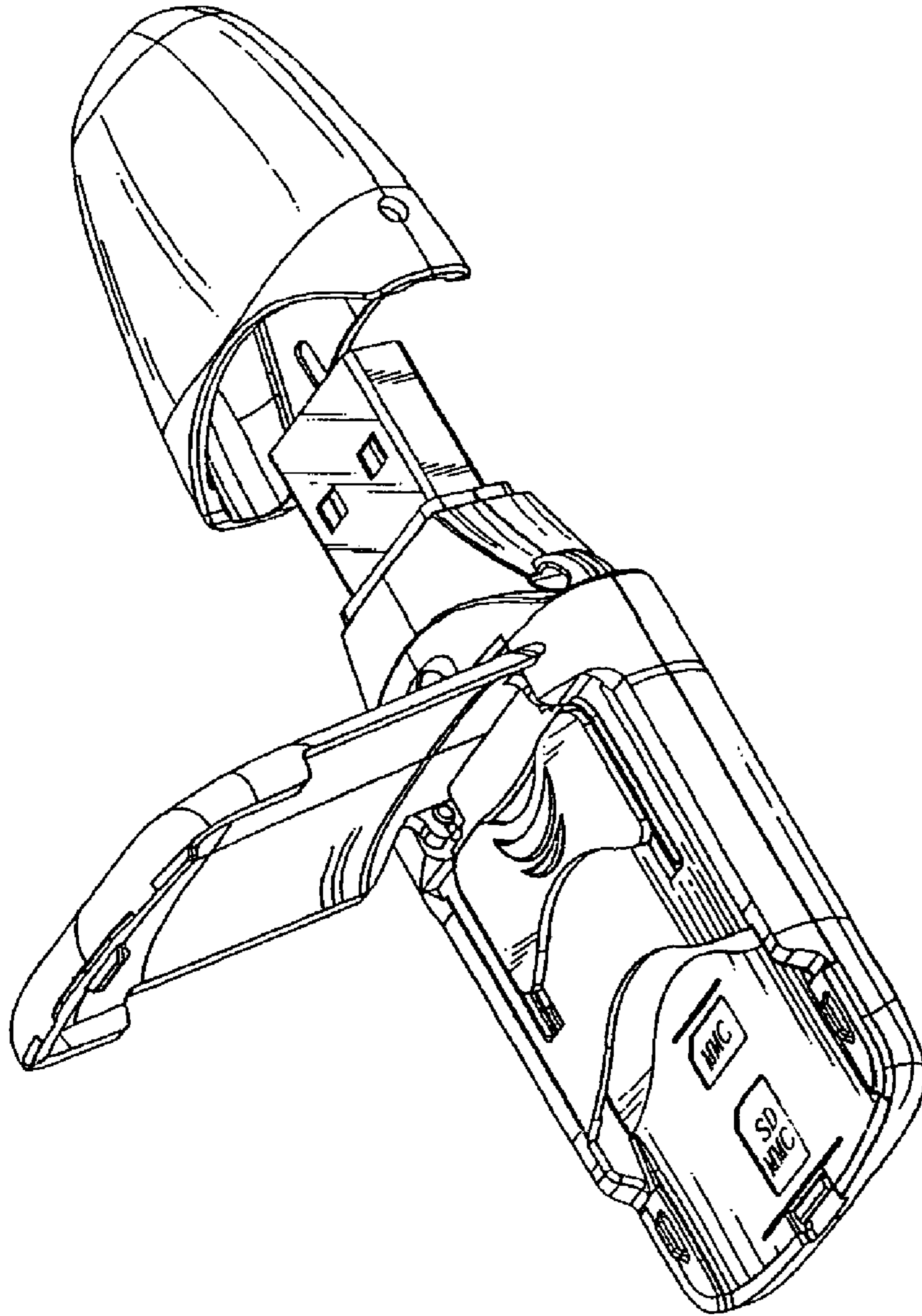


FIG. 8