

US00D546326S

(12) **United States Design Patent**
Chen

(10) **Patent No.:** **US D546,326 S**

(45) **Date of Patent:** **** Jul. 10, 2007**

(54) **MEMORY-CARD TYPE USB MASS STORAGE DEVICE**

(76) Inventor: **I Ming Chen**, 12F, No. 1, Wanning Street, Wunshan District, Taipei City 116 (TW)

(**) Term: **14 Years**

(21) Appl. No.: **29/235,500**

(22) Filed: **Aug. 3, 2005**

(51) **LOC (8) Cl.** **14-02**

(52) **U.S. Cl.** **D14/356; D14/433; D14/435**

(58) **Field of Classification Search** D14/137, D14/156, 167, 240, 242, 299, 348, 356, 384-5, D14/402, 432-435, 496; 361/685-6, 752, 361/737; 365/63, 131; 439/131, 139-41, 439/144, 152, 518, 528, 638; 710/62, 74; D13/110, 133

See application file for complete search history.

(56) **References Cited**

U.S. PATENT DOCUMENTS

D330,370 S *	10/1992	Tseng	D14/435
5,676,566 A *	10/1997	Carlson et al.	439/638
5,933,328 A *	8/1999	Wallace et al.	361/737
D433,416 S *	11/2000	Strand et al.	D14/426
D445,422 S *	7/2001	Hsin	D14/385
6,385,677 B1 *	5/2002	Yao	711/115
6,435,409 B1 *	8/2002	Hu	235/441
D465,784 S *	11/2002	Lin	D14/433

6,609,935 B2 *	8/2003	Huang	439/620.16
6,665,201 B1 *	12/2003	Spencer et al.	365/1
6,768,645 B2 *	7/2004	Kadonaga	361/737
D496,364 S *	9/2004	Saito	D14/385
7,066,753 B1 *	6/2006	Tseng	439/259

FOREIGN PATENT DOCUMENTS

DE 000355557-0001 * 6/2005

* cited by examiner

Primary Examiner—Robin Webster

Assistant Examiner—Karen E. Patterson

(74) *Attorney, Agent, or Firm*—Rosenberg, Klein & Lee

(57) **CLAIM**

The ornamental design for a memory-card type USB mass storage device, as shown and described.

DESCRIPTION

FIG. 1 is a perspective view of a memory-card type USB mass storage device showing my new design.

FIG. 2 is a front view thereof;

FIG. 3 is a back view thereof;

FIG. 4 is a left side view thereof;

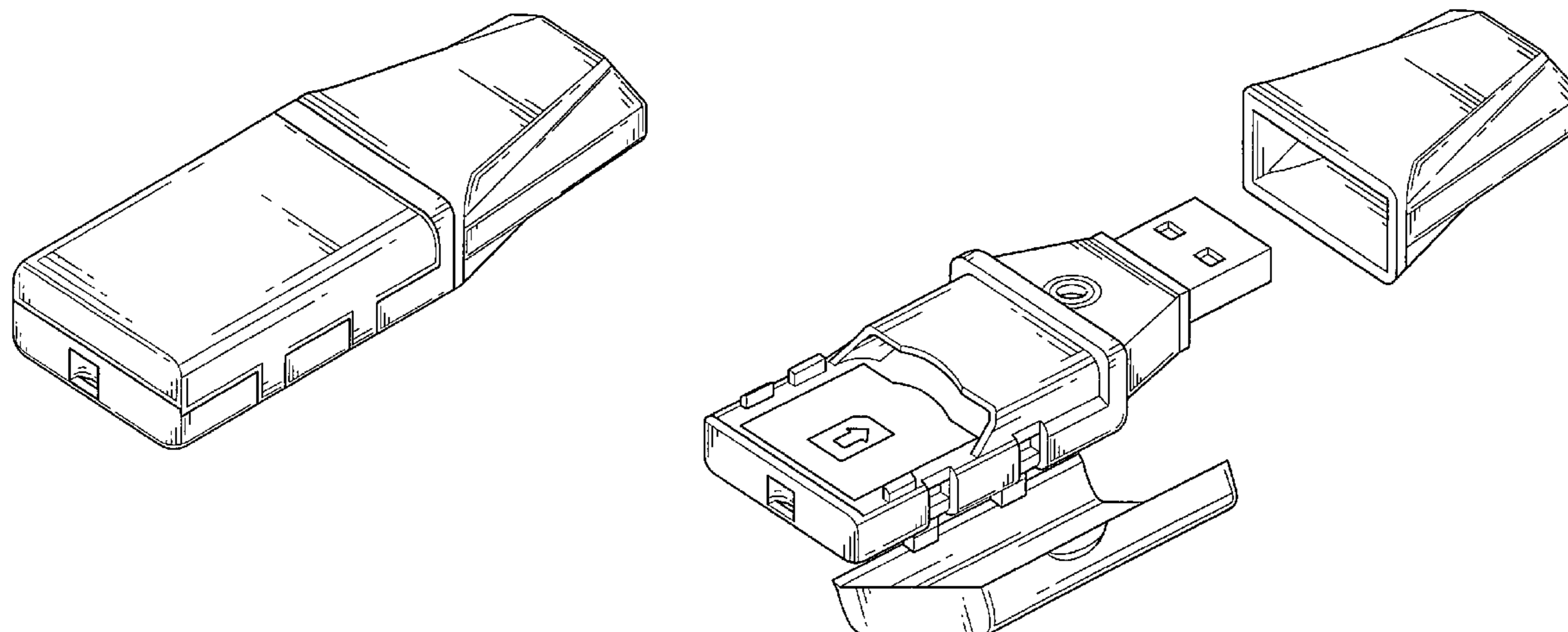
FIG. 5 is a right side view thereof;

FIG. 6 is a top plan view thereof;

FIG. 7 is a bottom plan view thereof; and,

FIG. 8 is an exploded view in an alternate position.

1 Claim, 5 Drawing Sheets



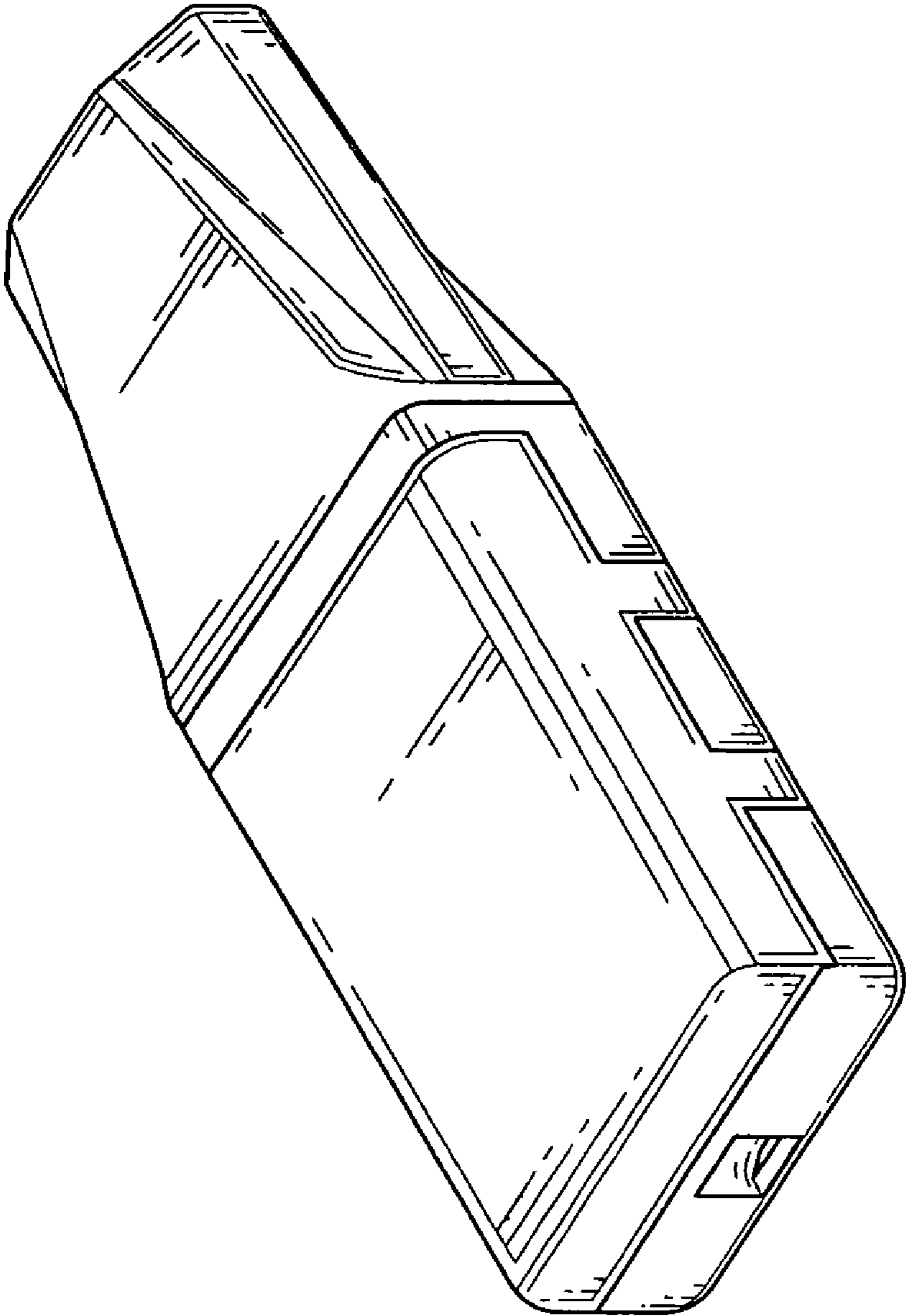


FIG. 1

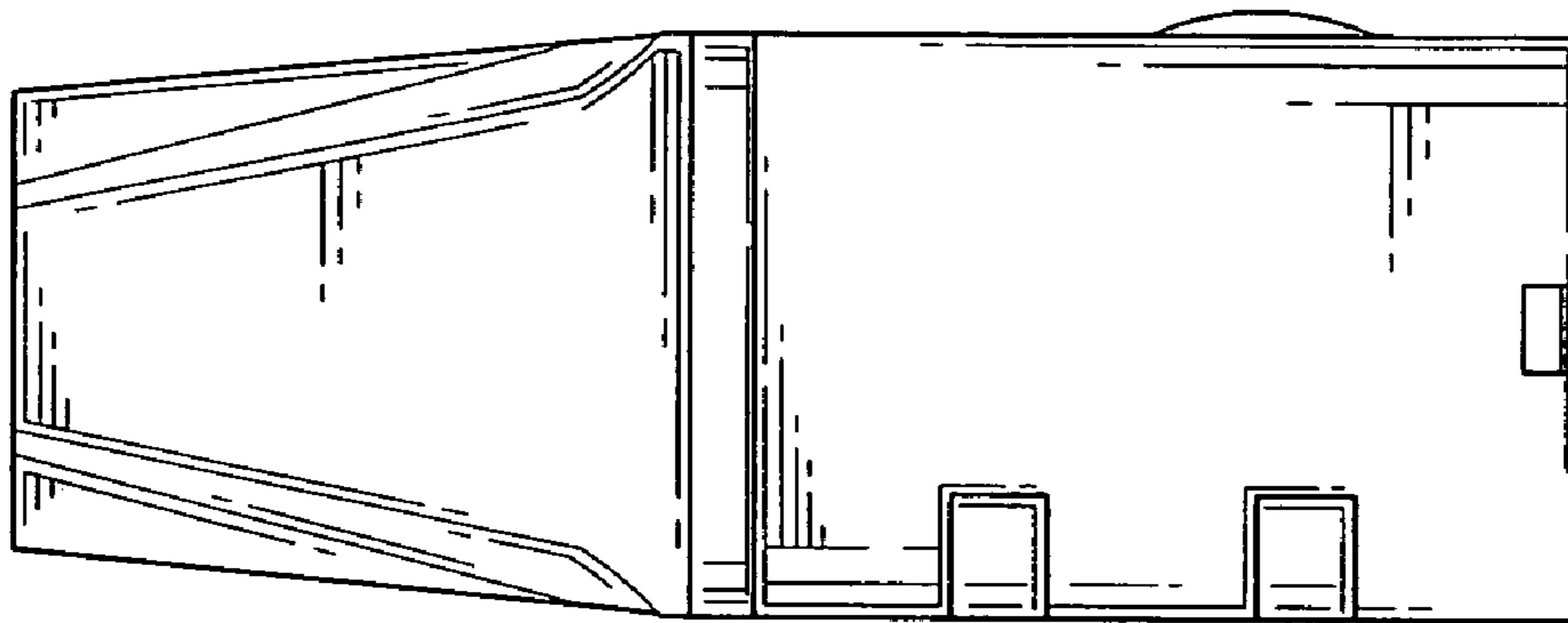


FIG. 3

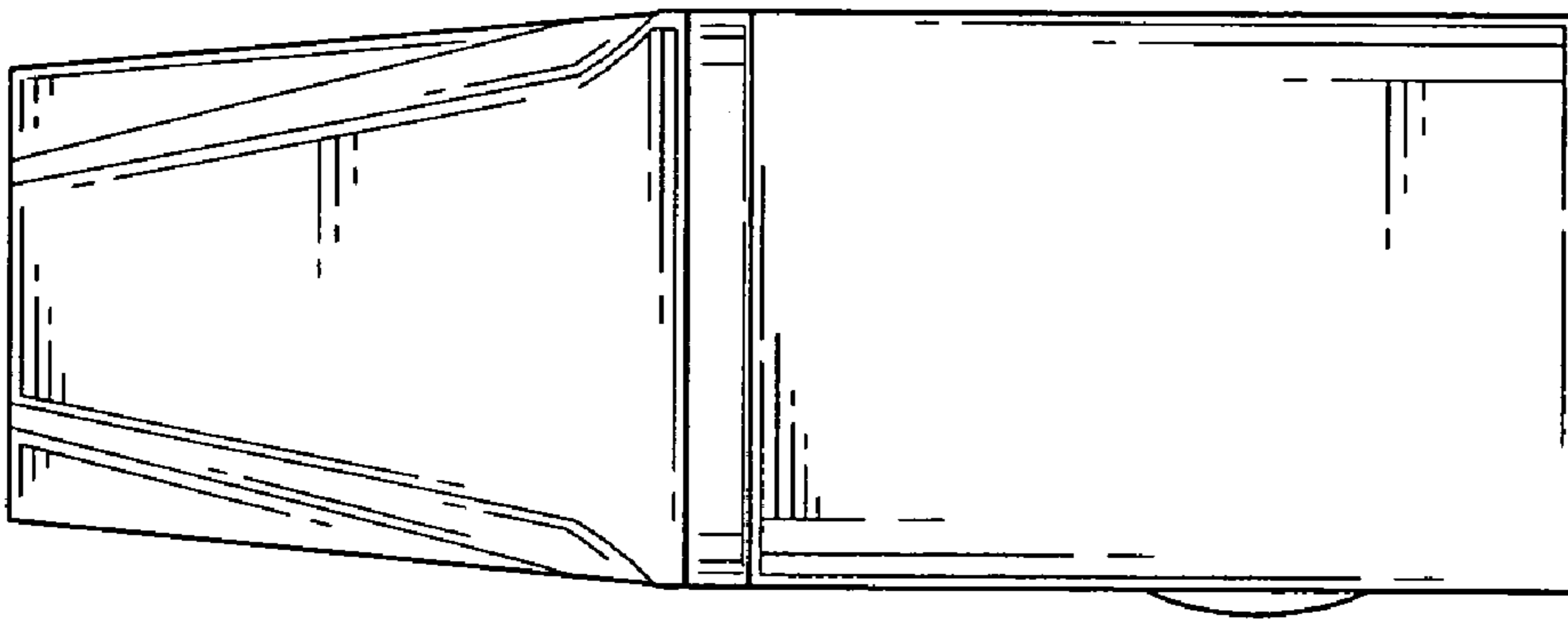


FIG. 2

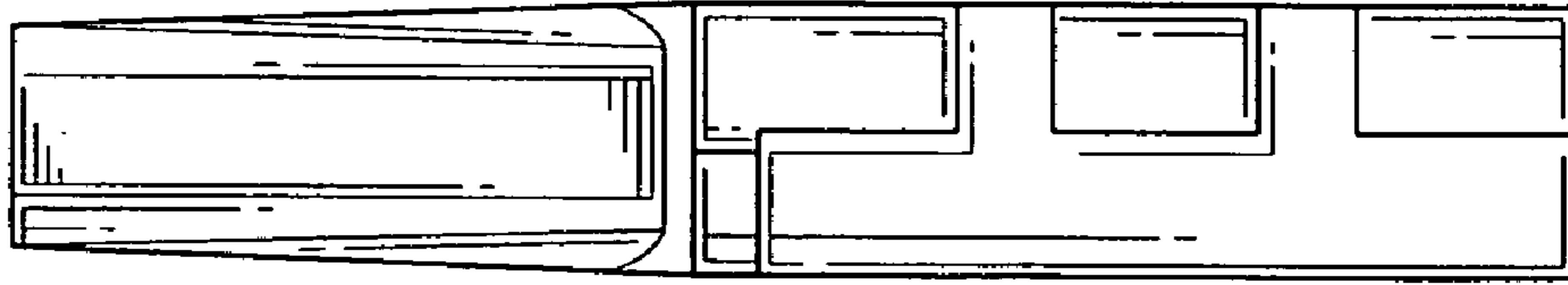


FIG. 5

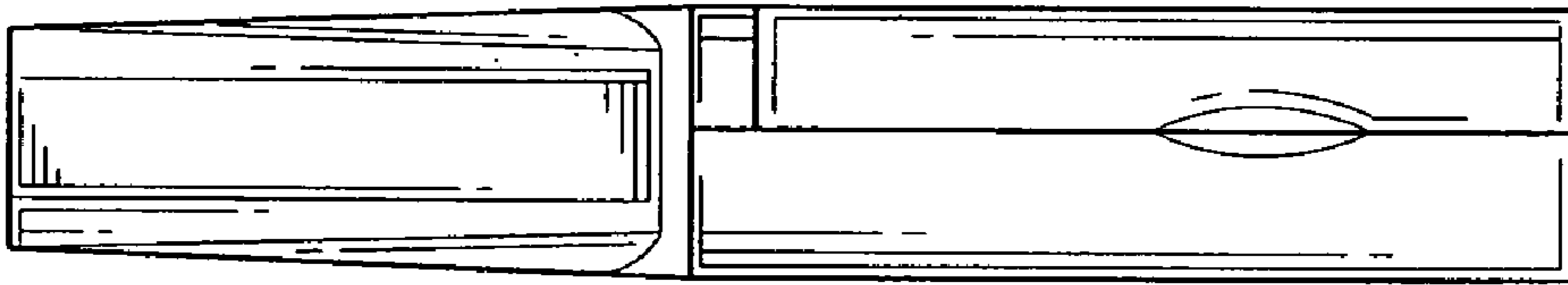


FIG. 4

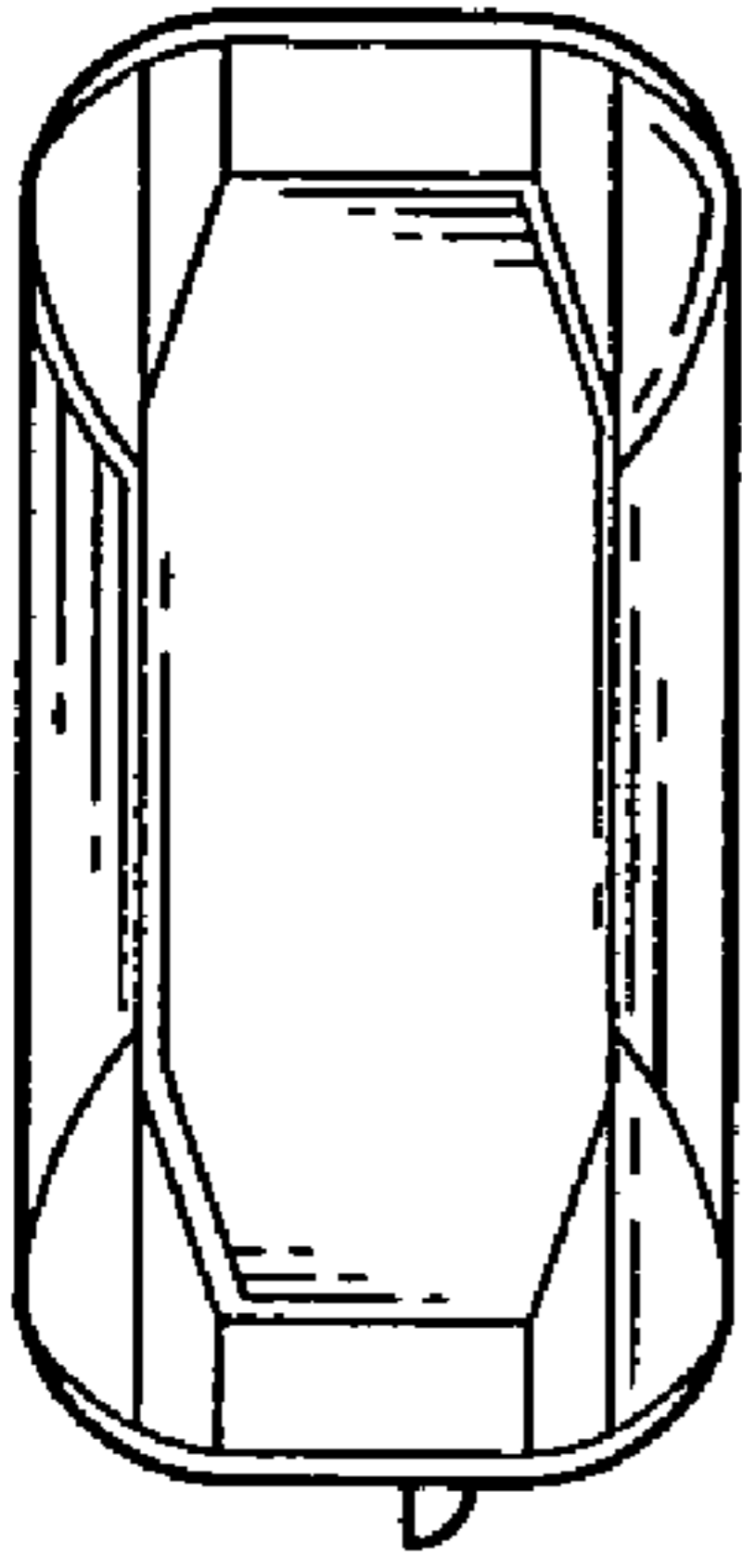


FIG. 6

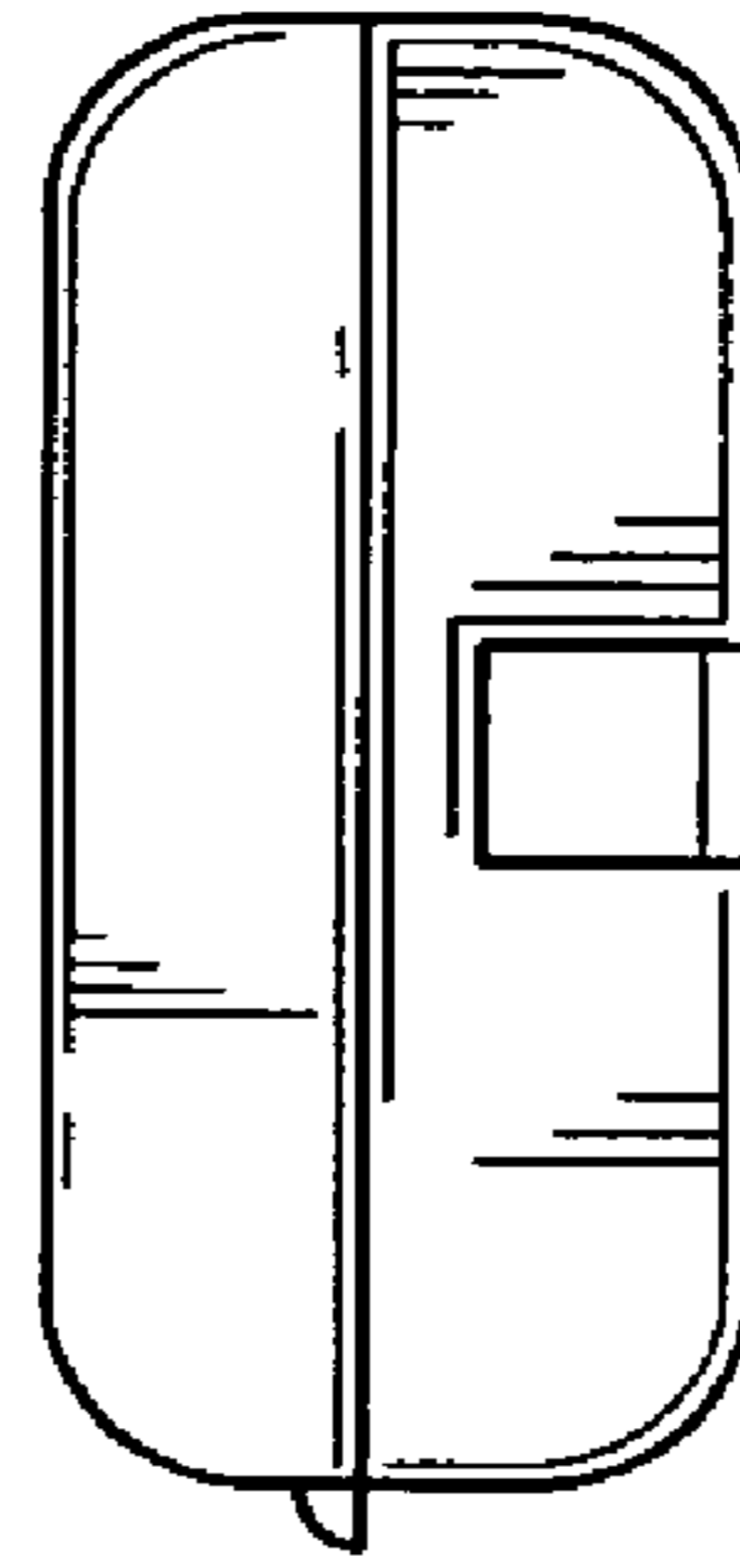


FIG. 7

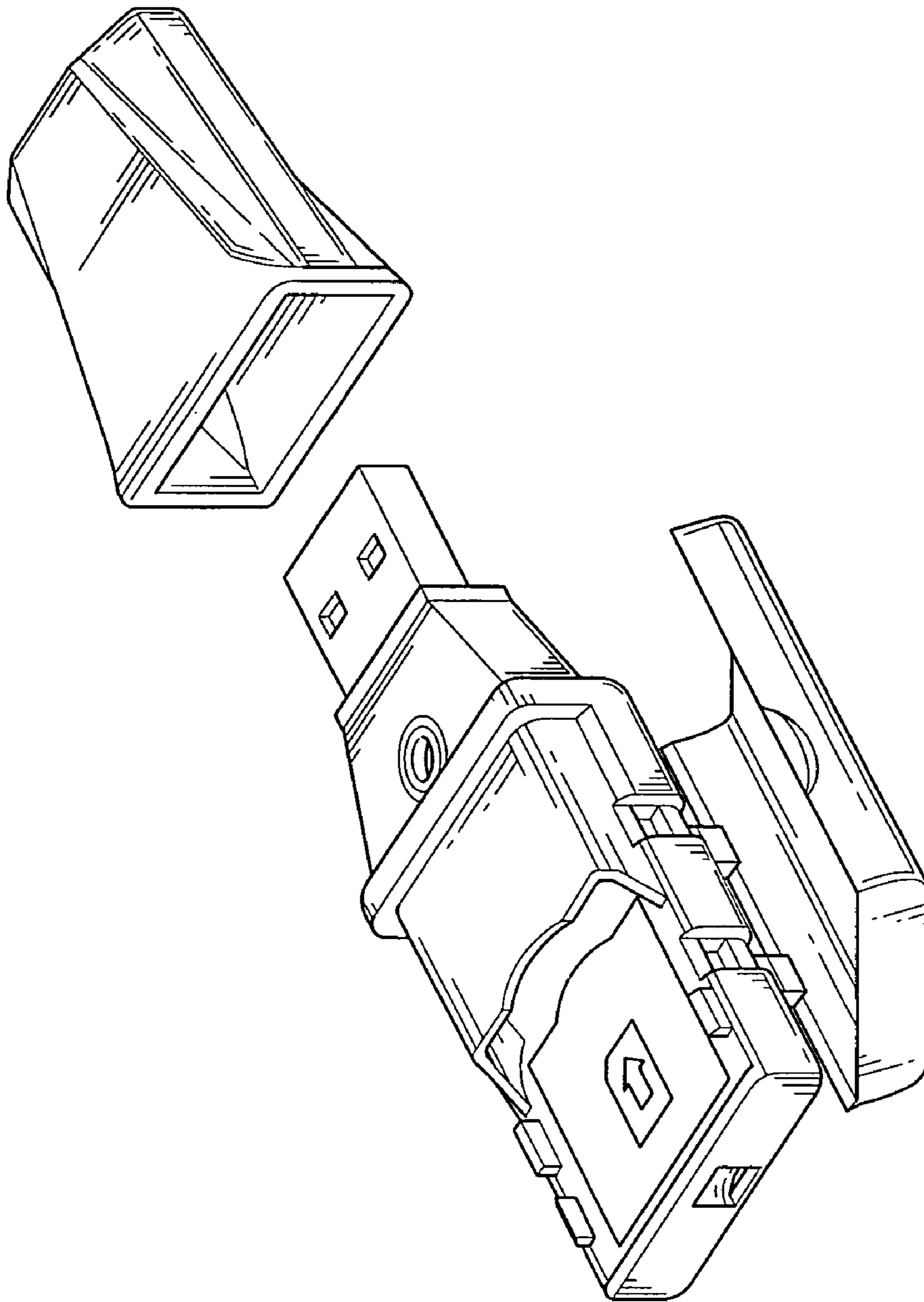


FIG. 8