

US00D546323S

(12) **United States Design Patent**  
**Van Buren et al.**

(10) **Patent No.:** **US D546,323 S**

(45) **Date of Patent:** **\*\* Jul. 10, 2007**

(54) **YAGI ANTENNA**

5,612,706 A \* 3/1997 Podell ..... 343/819  
D385,563 S \* 10/1997 Podell ..... D14/230  
D480,387 S \* 10/2003 Burns ..... D14/230

(75) Inventors: **Alan Van Buren**, Cedar City, UT (US);  
**Don E. Dinsdale**, George, UT (US)

\* cited by examiner

(73) Assignee: **Wilson Electronics, Inc.**, Saint George,  
UT (US)

*Primary Examiner*—Louis S. Zarfaz

*Assistant Examiner*—John Windmuller

(\*\*) Term: **14 Years**

(74) *Attorney, Agent, or Firm*—Leon D. Rosen

(21) Appl. No.: **29/261,381**

(57) **CLAIM**

(22) Filed: **Jun. 13, 2006**

The ornamental design for yagi antenna, as shown and described.

(51) **LOC (8) Cl.** ..... **14-03**

(52) **U.S. Cl.** ..... **D14/230**

(58) **Field of Classification Search** ..... D14/138,  
D14/230-238, 299, 358; D12/42, 43; 343/700 R-705,  
343/871-908, 795, 840, 711-713, 819, 846;  
455/90.2, 90.3, 91, 128, 269, 344, 347, 562.1  
See application file for complete search history.

**DESCRIPTION**

FIG. 1 is a front isometric view of a yagi antenna showing my design.

FIG. 2 is a front elevational view thereof;

FIG. 3 is a bottom view thereof.

FIG. 4 is a left side elevation view thereof.

FIG. 5 is a right side elevation view thereof.

FIG. 6 is a top plan view thereof; and,

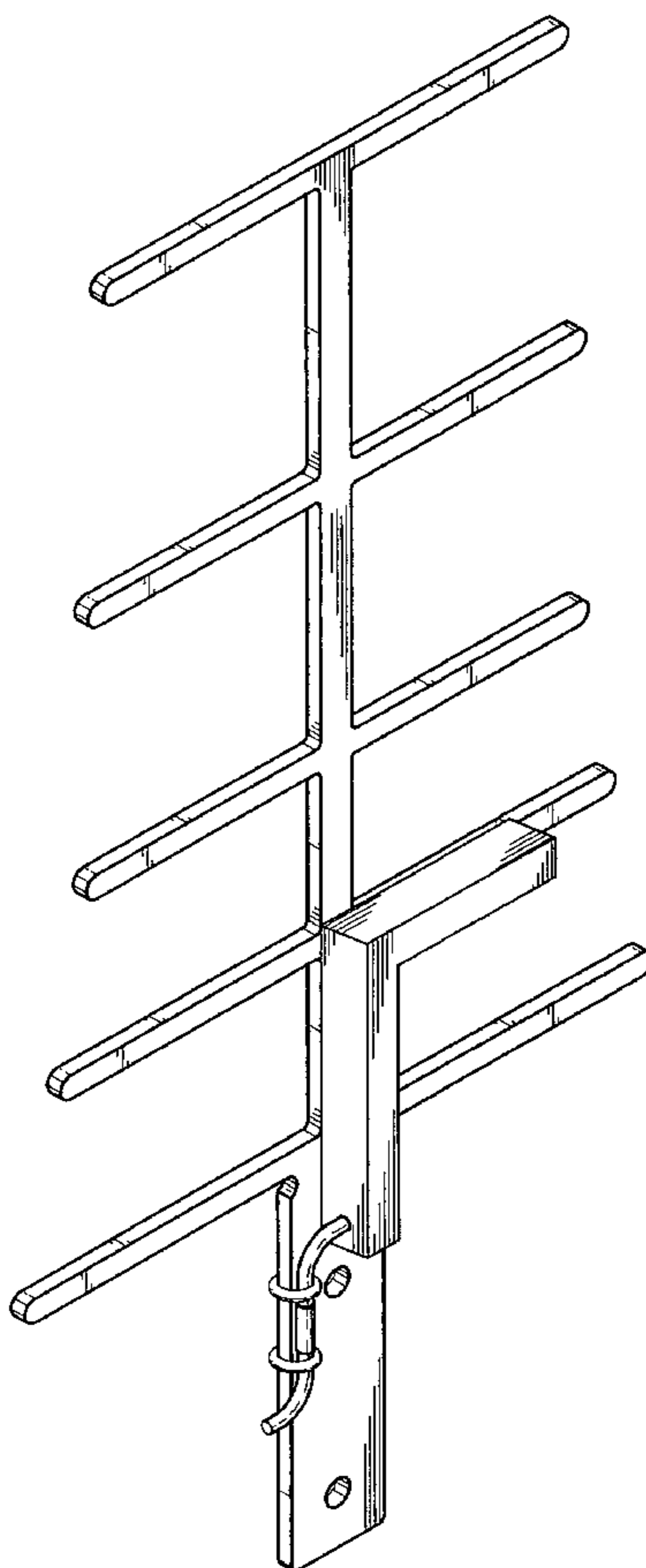
FIG. 7 is a bottom plan view thereof.

(56) **References Cited**

**U.S. PATENT DOCUMENTS**

D209,969 S \* 1/1968 Greenberg ..... D14/230  
D210,025 S \* 1/1968 Kleinberg ..... D14/230  
3,790,950 A \* 2/1974 Smith et al. .... 343/792.5  
4,218,686 A \* 8/1980 Blonder ..... 343/819

**1 Claim, 5 Drawing Sheets**



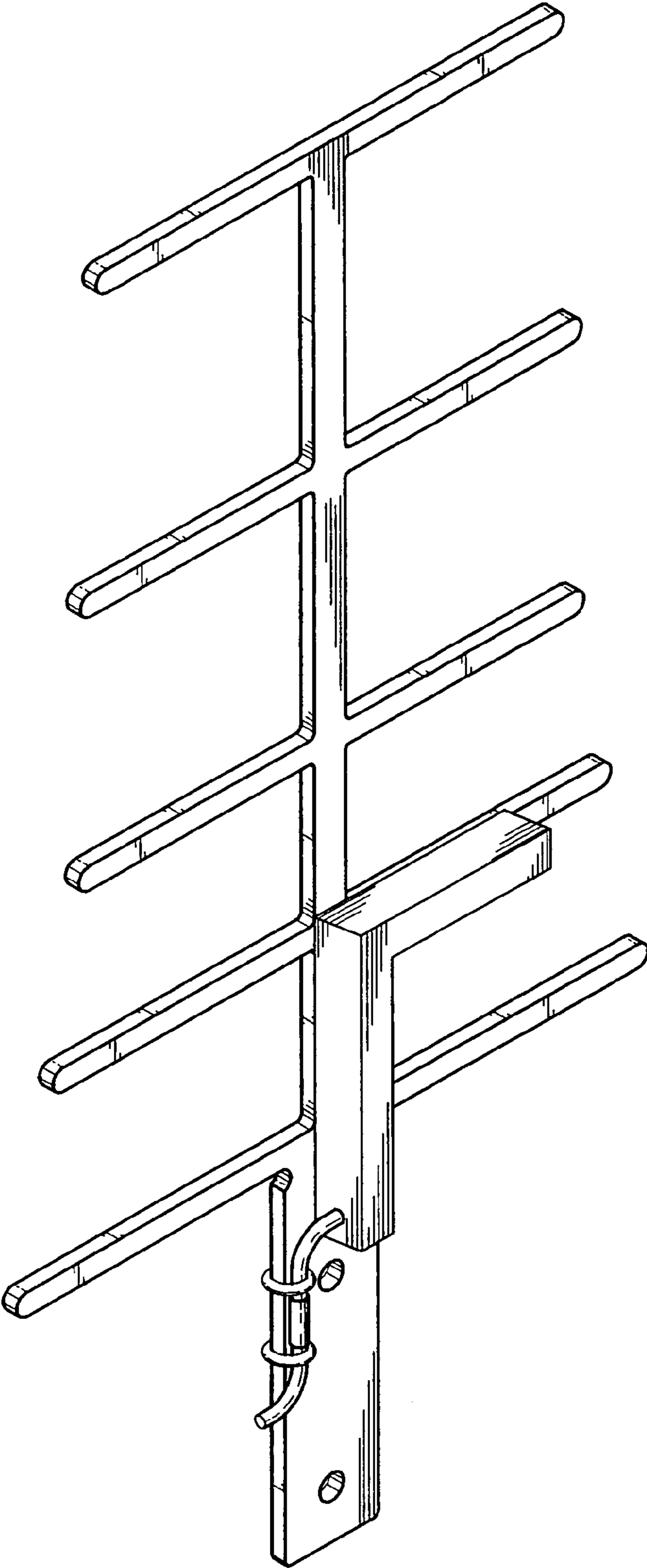


FIG. 1



*FIG. 2*



*FIG. 3*



FIG. 4



FIG. 5

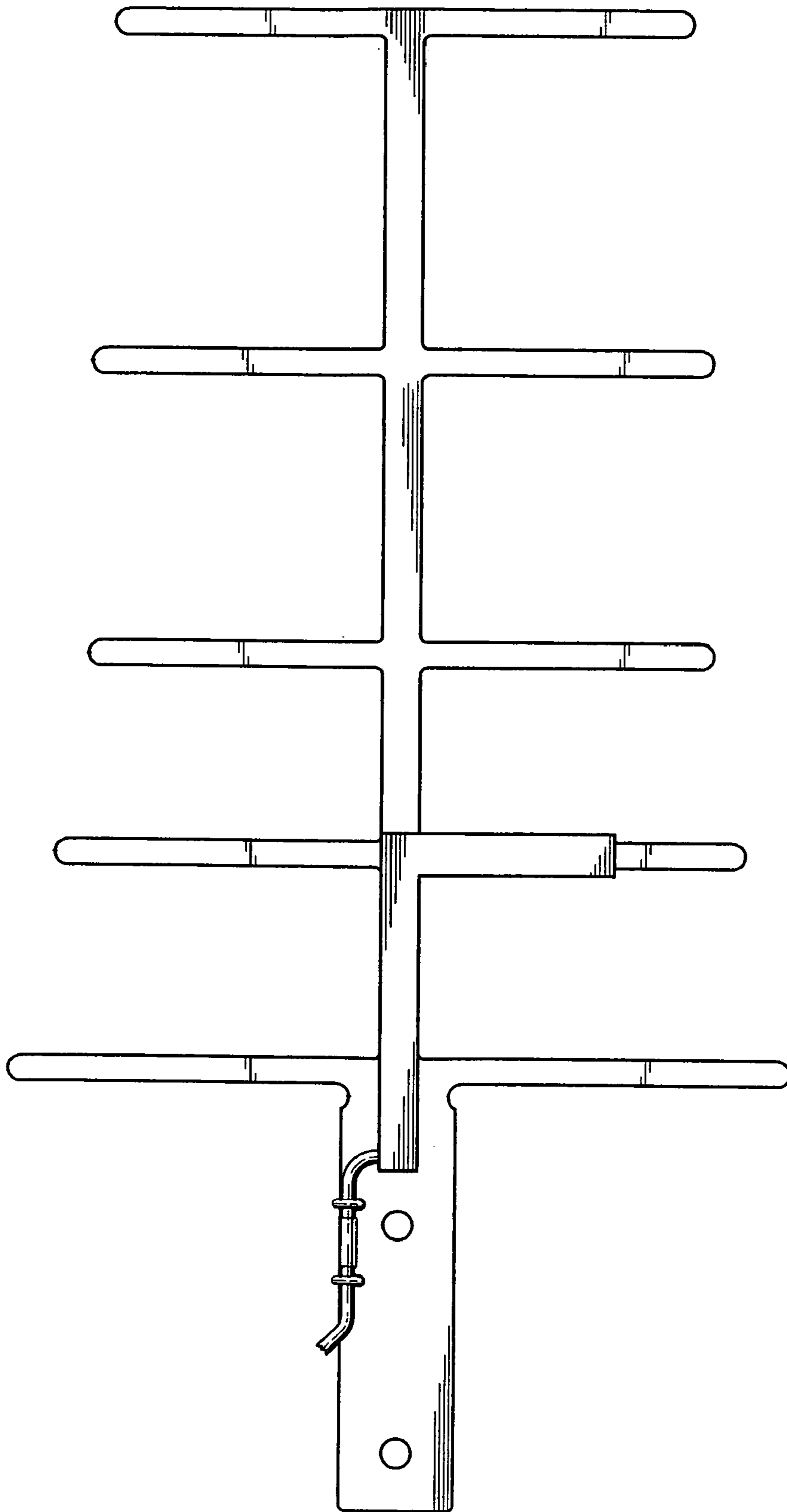


FIG. 6

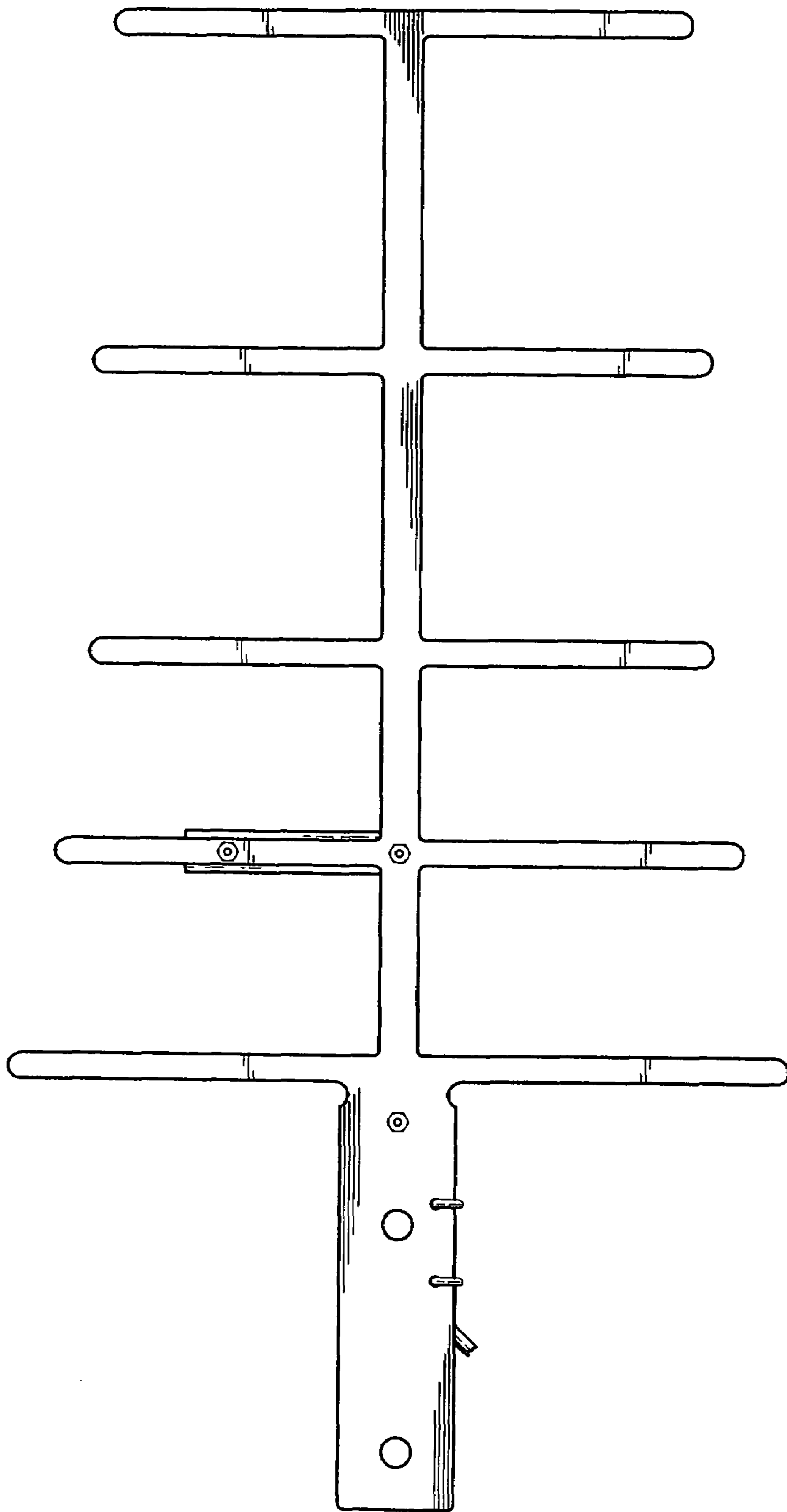


FIG. 7