

US00D546320S

(12) **United States Design Patent**  
**Choi**

(10) **Patent No.:** **US D546,320 S**

(45) **Date of Patent:** **\*\* Jul. 10, 2007**

(54) **REMOTE CONTROL**

(75) Inventor: **Jin Ho Choi**, Seoul (KR)

(73) Assignee: **Samsung Electronics Co., Ltd.** (KR)

(\*\*) Term: **14 Years**

(21) Appl. No.: **29/232,436**

(22) Filed: **Jun. 17, 2005**

(30) **Foreign Application Priority Data**

Apr. 28, 2005 (KR) ..... 30-2005-0014394

(51) **LOC (8) Cl.** ..... **14-03**

(52) **U.S. Cl.** ..... **D14/218**

(58) **Field of Classification Search** ..... D14/174,  
D14/217, 218, 137-139, 151, 191-193, 299,  
D14/167, 168; D13/168, 162-164; D21/512-517,  
D21/566; D10/104, 106; 455/352-355,  
455/151.1-151.4, 128, 347, 90.3; 348/114,  
348/734

See application file for complete search history.

(56) **References Cited**

**U.S. PATENT DOCUMENTS**

D436,098 S *	1/2001	Hormann	.....	D14/218
D506,191 S *	6/2005	Majanen	.....	D14/138
D508,035 S *	8/2005	Kim et al.	.....	D14/138
D509,493 S *	9/2005	Winebrenner et al.	.....	D14/138

\* cited by examiner

*Primary Examiner*—Louis S. Zarfes  
*Assistant Examiner*—John Windmuller  
(74) *Attorney, Agent, or Firm*—Irving Keschner

(57) **CLAIM**

The ornamental design for remote control, as shown.

**DESCRIPTION**

FIG. 1 is a perspective view of the ornamental design of the present invention;

FIG. 2 is a front elevational view of the ornamental design of the present invention;

FIG. 3 is a rear elevational view of the ornamental design of the present invention;

FIG. 4 is a left side elevational view of the ornamental design of the present invention, the right side elevational view being a mirror image thereof;

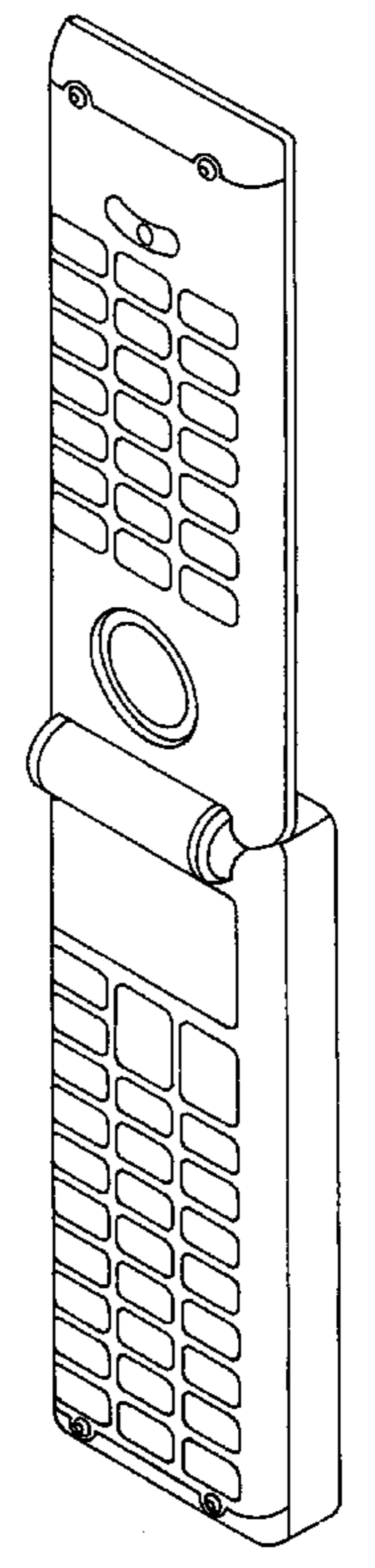
FIG. 5 is a right side elevational view of the ornamental design of the present invention;

FIG. 6 is a top plan view of the ornamental design of the present invention;

FIG. 7 is a bottom view of the ornamental design of the present invention; and,

FIG. 8 shows the remote control device of the present invention in the closed, or folded, position.

**1 Claim, 3 Drawing Sheets**



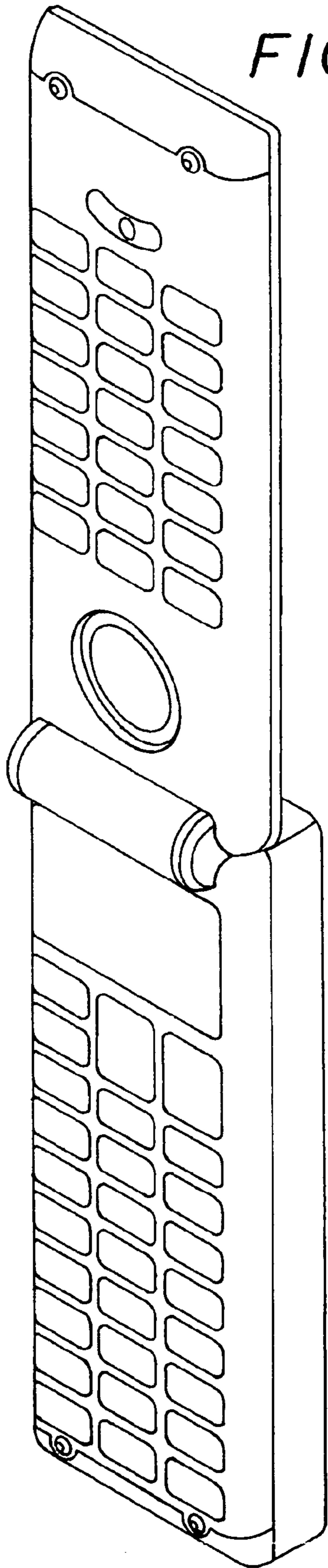


FIG. 1

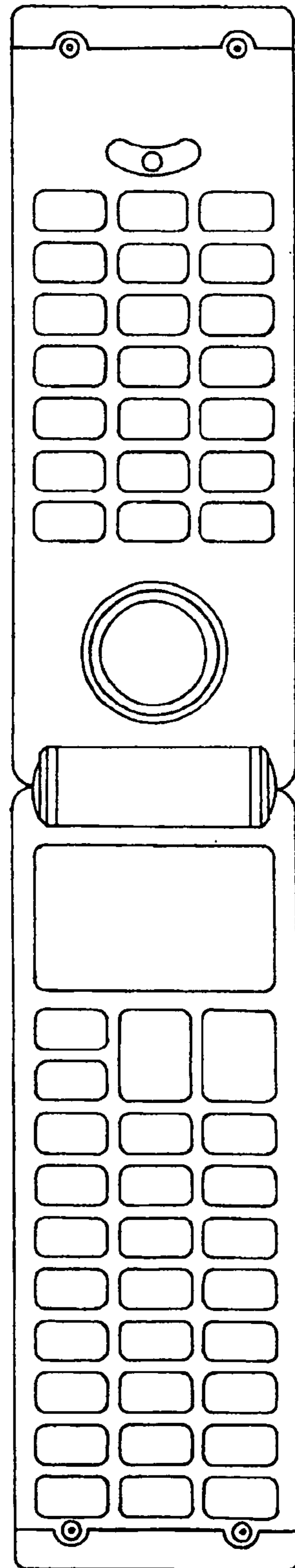
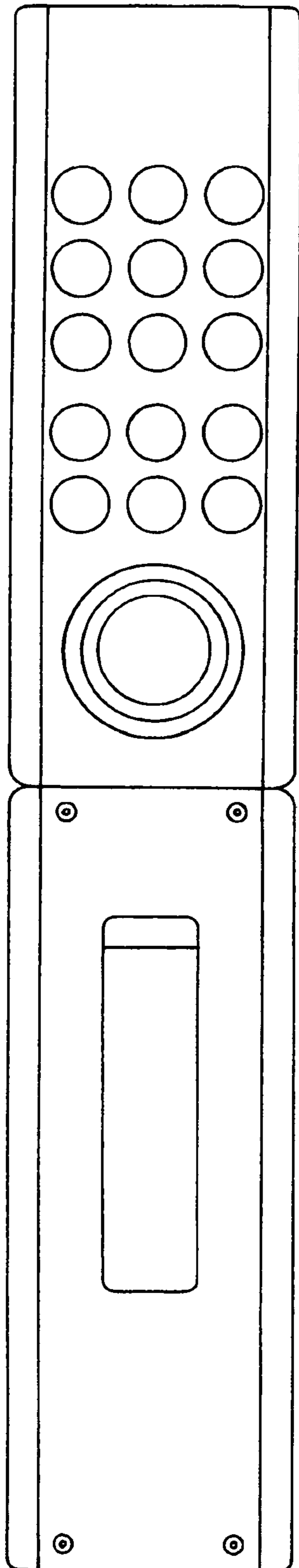
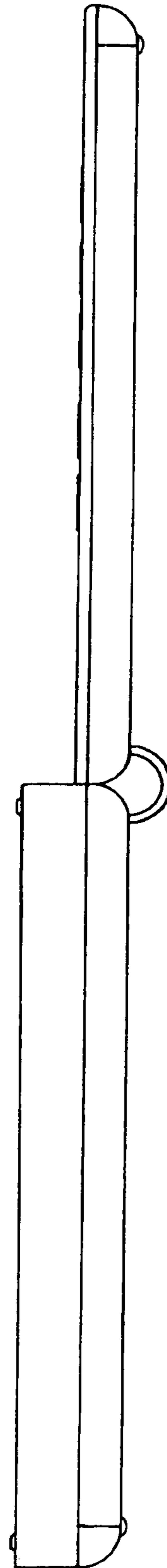


FIG. 2

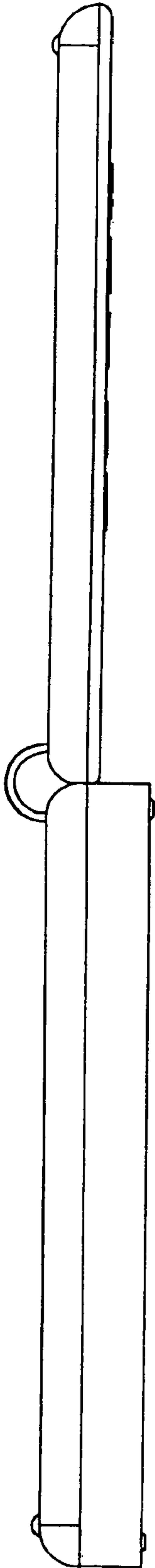
*FIG. 3*



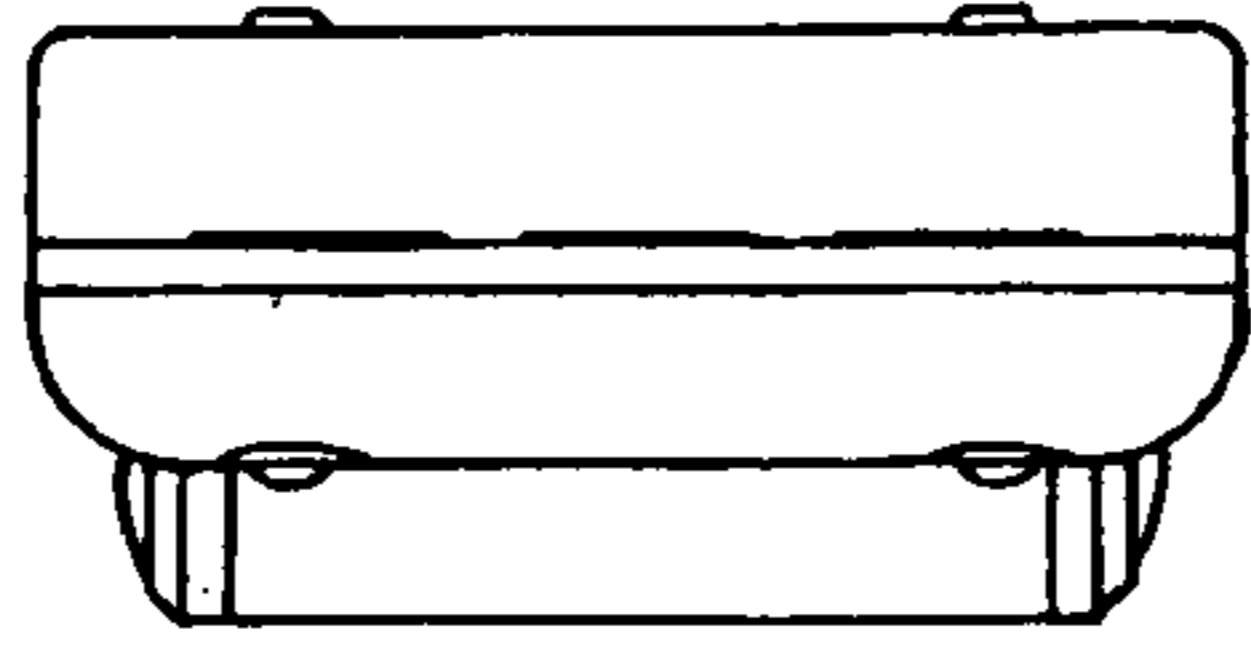
*FIG. 4*



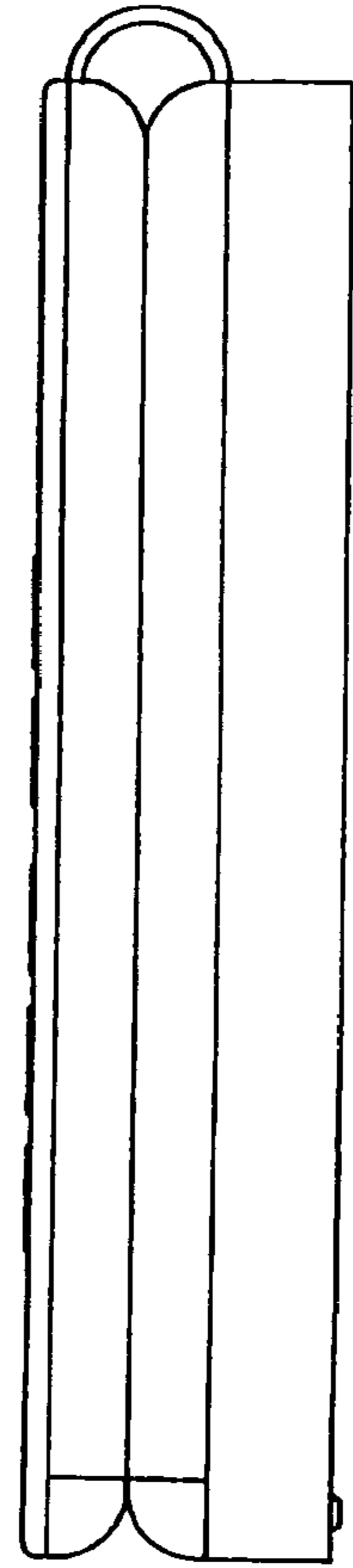
*FIG. 5*



*FIG. 6*



*FIG. 8*



*FIG. 7*

