



US00D546300S

(12) **United States Design Patent**
Yokota

(10) **Patent No.:** **US D546,300 S**

(45) **Date of Patent:** **** Jul. 10, 2007**

(54) **MONITOR TELEVISION RECEIVER**

(75) Inventor: **Hiroaki Yokota**, Tokyo (JP)

(73) Assignee: **Sony Corporation**, Tokyo (JP)

(**) Term: **14 Years**

(21) Appl. No.: **29/258,674**

(22) Filed: **Apr. 26, 2006**

(30) **Foreign Application Priority Data**

Feb. 8, 2006 (JP) D2006-002764

(51) **LOC (8) Cl.** **14-03**

(52) **U.S. Cl.** **D14/126**

(58) **Field of Classification Search** D14/125-134,
D14/239, 371, 136, 374-377; 312/7.2; 348/836,
348/838, 180, 184, 325, 739; 341/12; 248/917-924,
248/465; 345/104, 133, 156, 168, 87, 173;
720/605, 669, 600, 655; 369/99, 197; 455/344-347
See application file for complete search history.

(56) **References Cited**

U.S. PATENT DOCUMENTS

- D356,077 S * 3/1995 Harada et al. D14/126
- D388,077 S * 12/1997 Starck D14/126
- D402,979 S 12/1998 Ogasawara
- D407,074 S * 3/1999 Lee D14/375
- D434,763 S * 12/2000 Jobs et al. D14/375
- D452,488 S 12/2001 Ogasawara
- D462,074 S * 8/2002 Kim D14/375
- D483,367 S * 12/2003 Olson et al. D14/375
- D484,130 S * 12/2003 Olson et al. D14/375

- D484,133 S * 12/2003 Liu et al. D14/375
- D491,901 S * 6/2004 Chin et al. D14/126
- D494,970 S * 8/2004 Chen D14/371
- D523,828 S * 6/2006 Hoehn et al. D14/126
- D529,005 S * 9/2006 Hong D14/126
- D530,686 S * 10/2006 Reza D14/126

FOREIGN PATENT DOCUMENTS

JP D1123867 S 10/2001

* cited by examiner

Primary Examiner—Raphael Barkai

(74) *Attorney, Agent, or Firm*—Rader, Fishman & Grauer PLLC

(57) **CLAIM**

The ornamental design for a monitor television receiver, as shown and described.

DESCRIPTION

FIG. 1 is a perspective view of a monitor television receiver showing my new design;

FIG. 2 is a front elevational view thereof;

FIG. 3 is a rear elevational view thereof;

FIG. 4 is a left side elevational view thereof;

FIG. 5 is a right side elevational view thereof;

FIG. 6 is a top plan view thereof; and,

FIG. 7 is a bottom plan view thereof.

Portions that are shown by broken lines are illustrative purposes only and form no part of the claimed design.

1 Claim, 7 Drawing Sheets

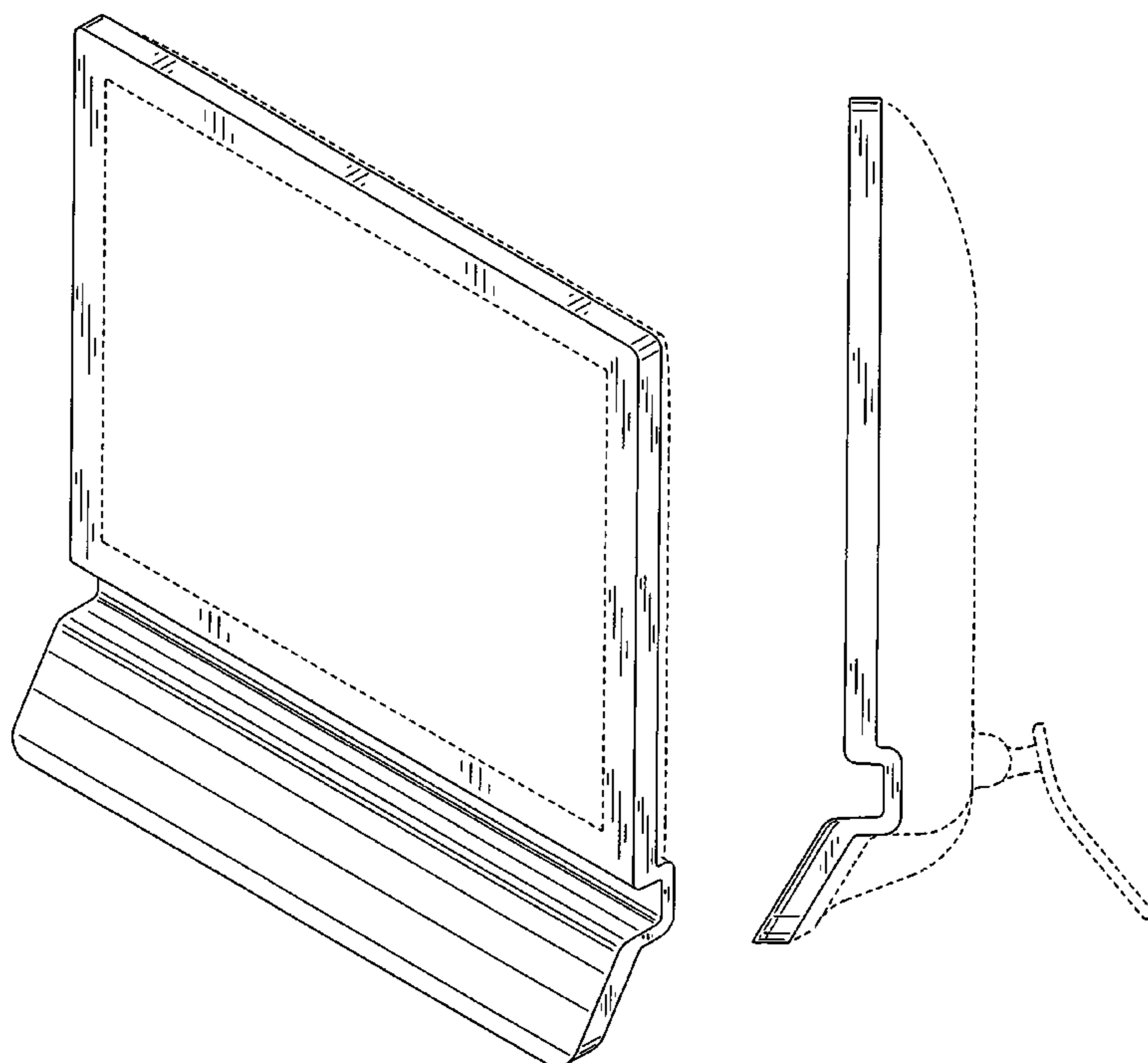


Fig. 1

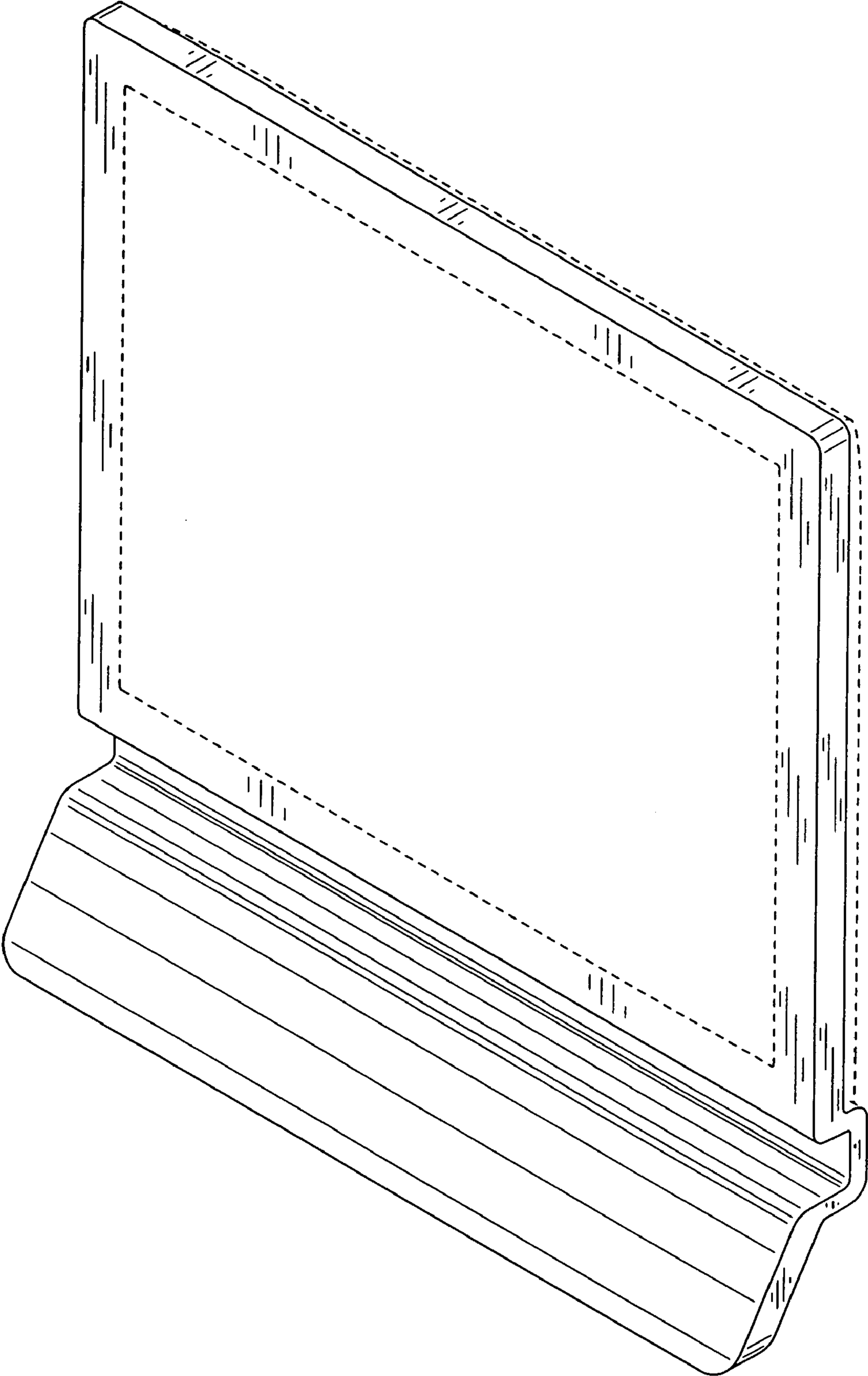


Fig.2

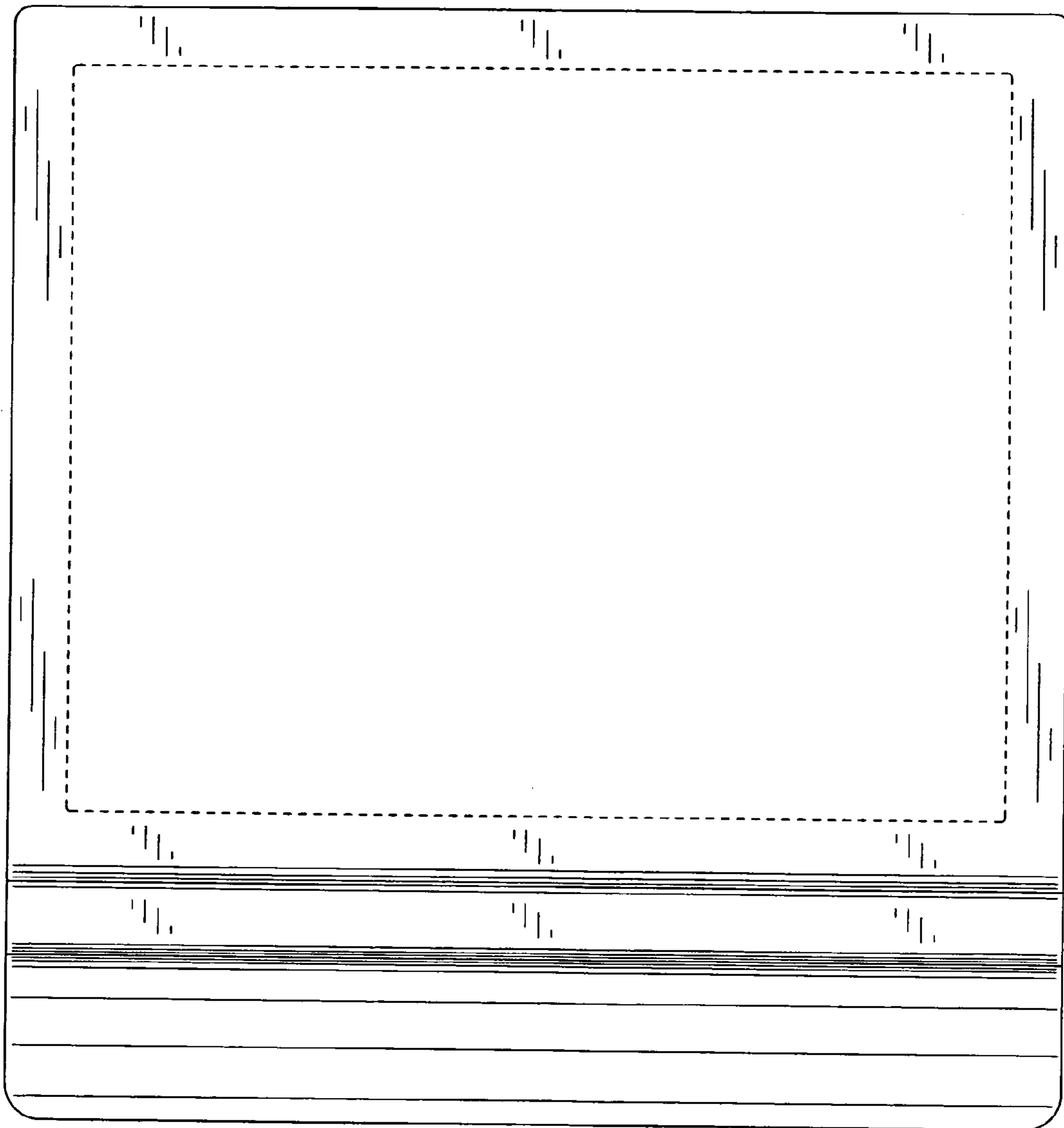


Fig.3

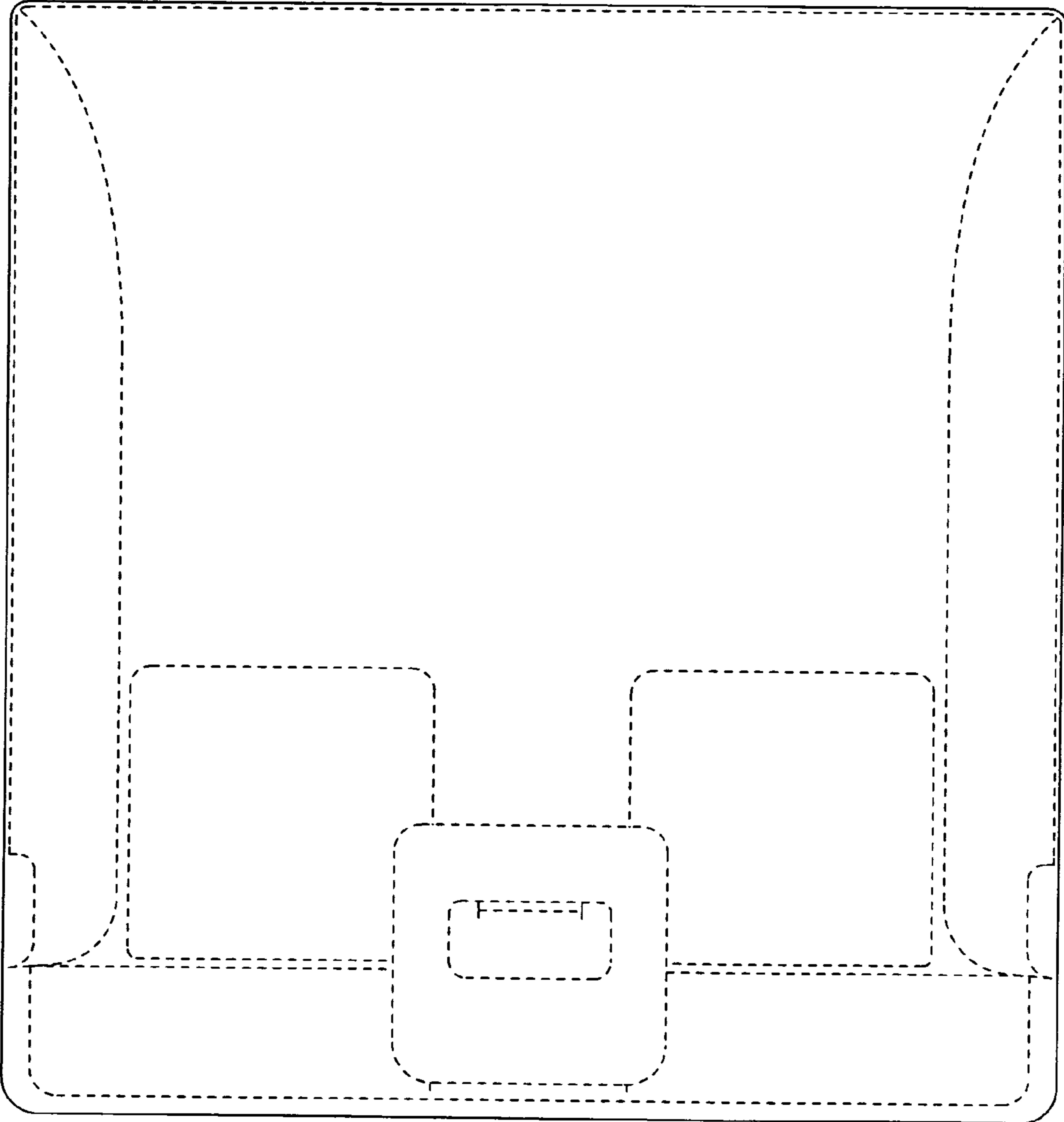


Fig.4

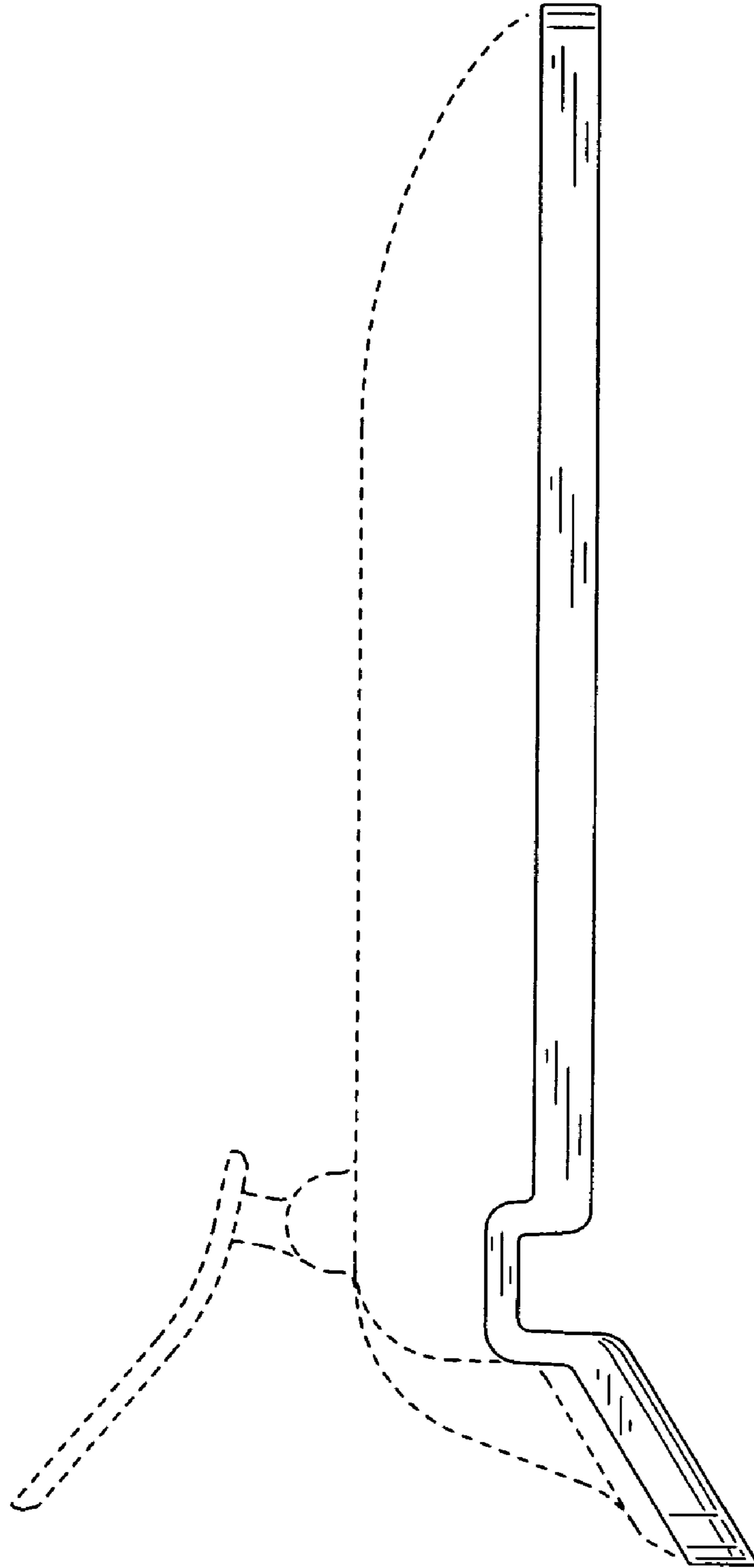


Fig.5

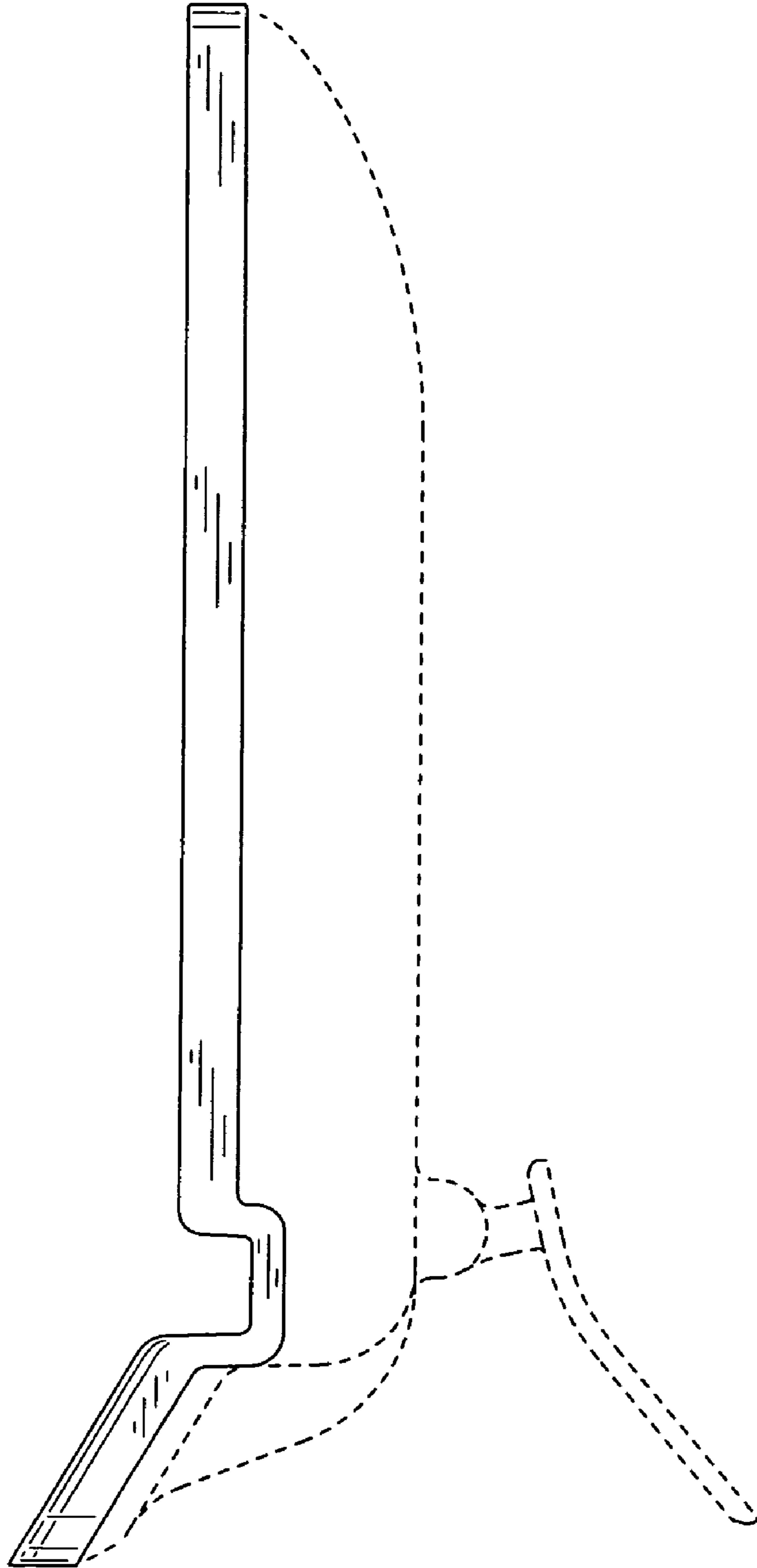


Fig.6

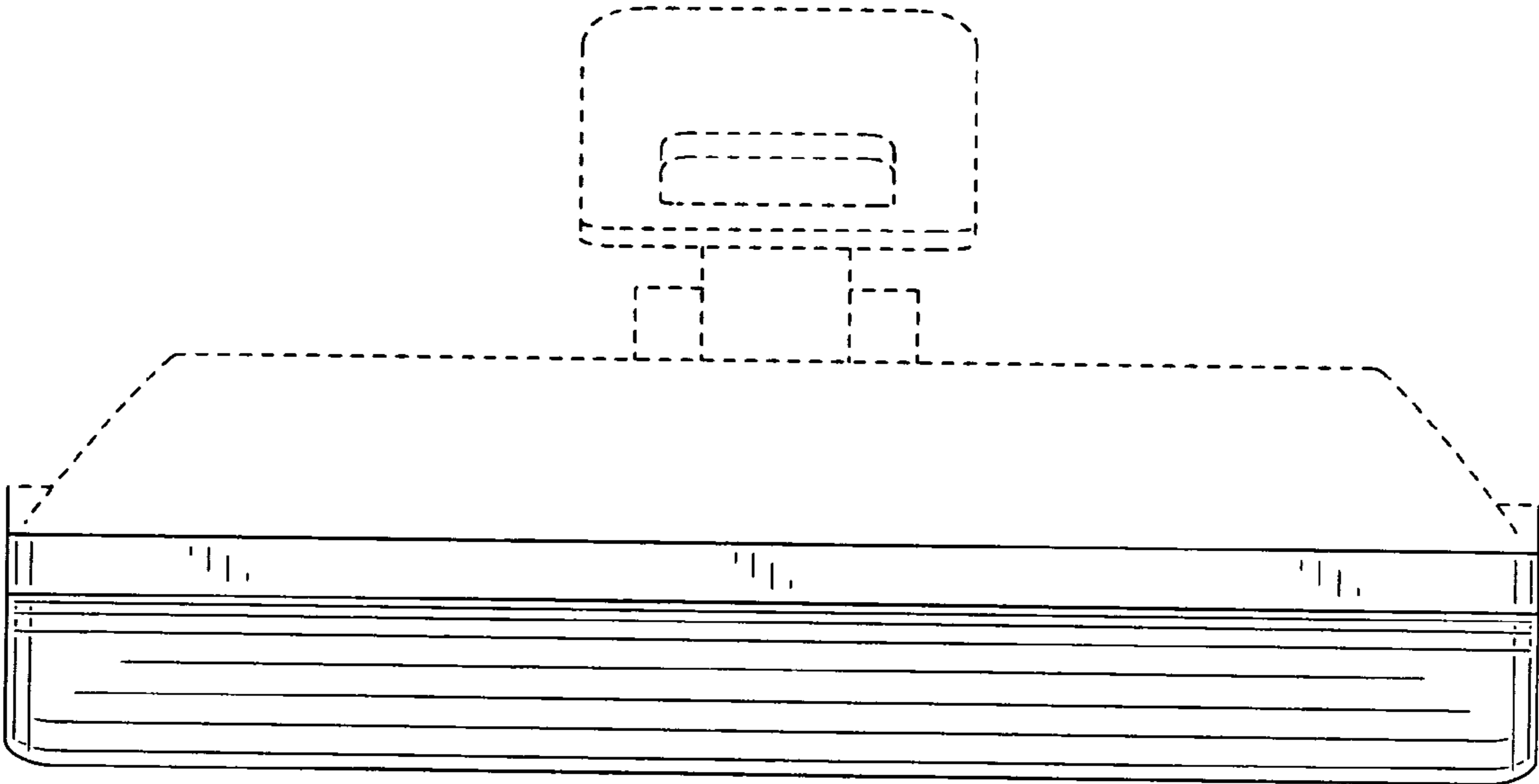


Fig.7

