

US00D546297S

(12) **United States Design Patent**
Jones

(10) **Patent No.:** **US D546,297 S**

(45) **Date of Patent:** **** Jul. 10, 2007**

(54) **ION EYE CIRCUIT BOARD**

(75) Inventor: **Danial Jones**, Latrobe, PA (US)

(73) Assignee: **Smart Parts, Inc.**, Latrobe, PA (US)

(**) Term: **14 Years**

(21) Appl. No.: **29/253,167**

(22) Filed: **Jan. 31, 2006**

(51) **LOC (8) Cl.** **13-03**

(52) **U.S. Cl.** **D13/182**

(58) **Field of Classification Search** D13/182;
174/252, 253, 255; 361/760, 820; 438/106
See application file for complete search history.

(56) **References Cited**

U.S. PATENT DOCUMENTS

6,492,598	B1 *	12/2002	Klein	174/256
6,979,595	B1 *	12/2005	James et al.	438/115
7,142,433	B2 *	11/2006	Lechner	361/797
2002/0007961	A1 *	1/2002	Yamato et al.	174/250
2006/0011188	A1 *	1/2006	Jones	124/77

* cited by examiner

Primary Examiner—Selina Sikder

(74) *Attorney, Agent, or Firm*—Marger Johnson & McCollom, PC

(57) **CLAIM**

The ornamental design for an ion eye circuit board, as shown and described.

DESCRIPTION

This Application is related to copending U.S. Utility patent application Ser. Nos. 10/869,829 and 11/056,938.

FIG. 1 is a perspective view of an ion eye circuit board;

FIG. 2 is a top plan view of an ion eye circuit board;

FIG. 3 is a side elevation view of an ion eye circuit board;

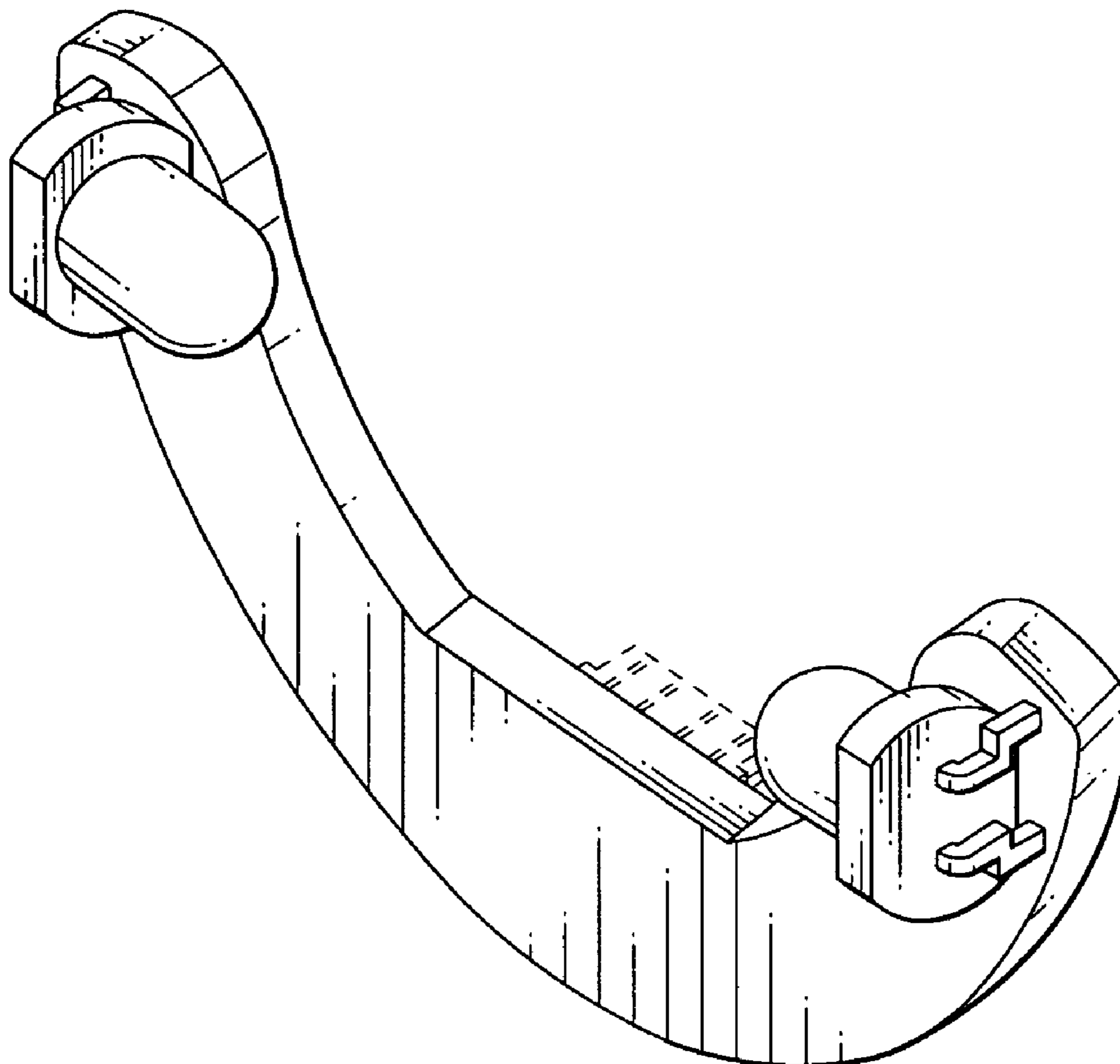
FIG. 4 is a front elevation view of an ion eye circuit board;

and,

FIG. 5 is a bottom plan view of an ion eye circuit board.

The broken line showing of the environment is for illustrative purpose only and forms no part of the claimed design.

1 Claim, 2 Drawing Sheets



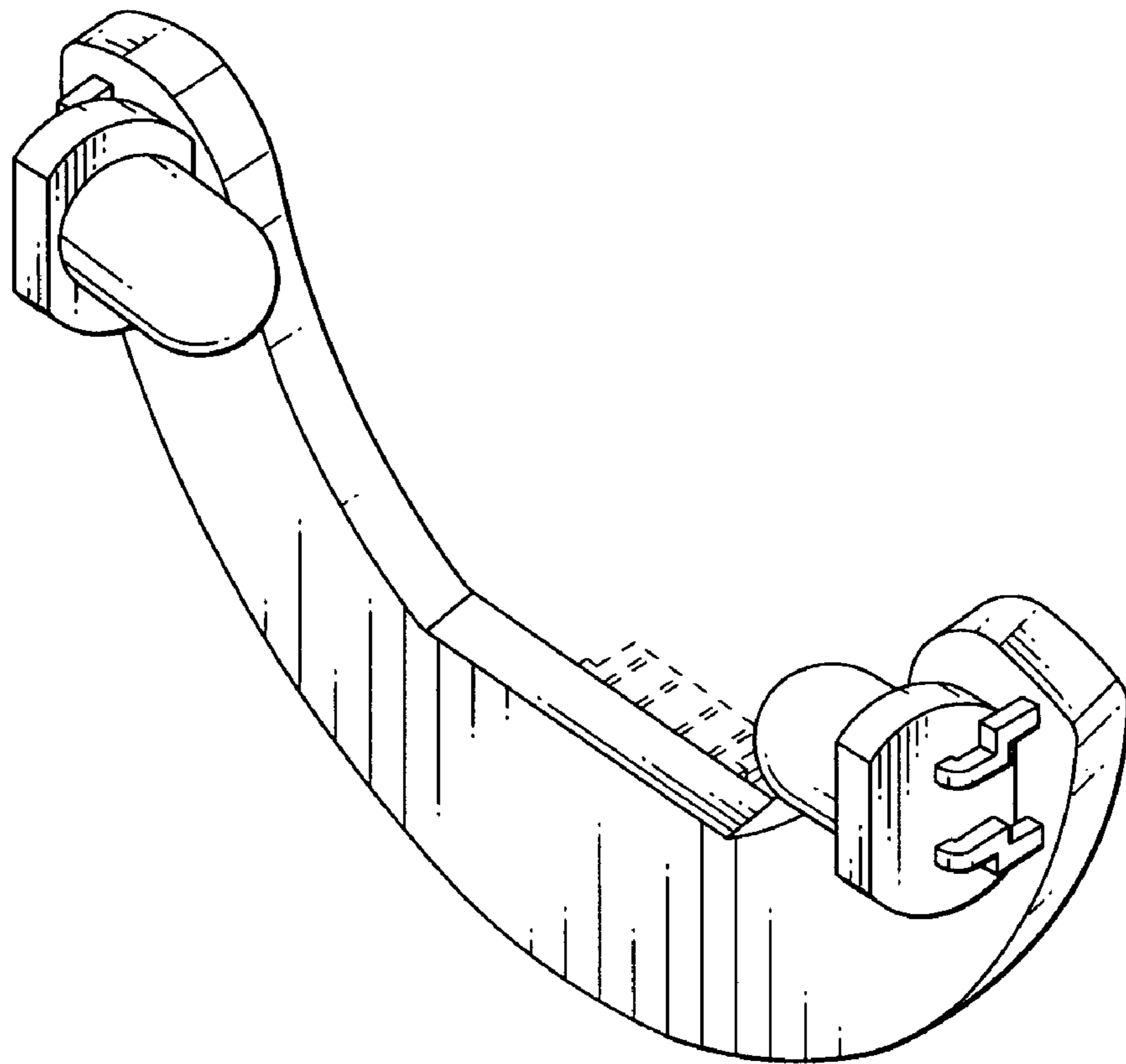


FIG. 1

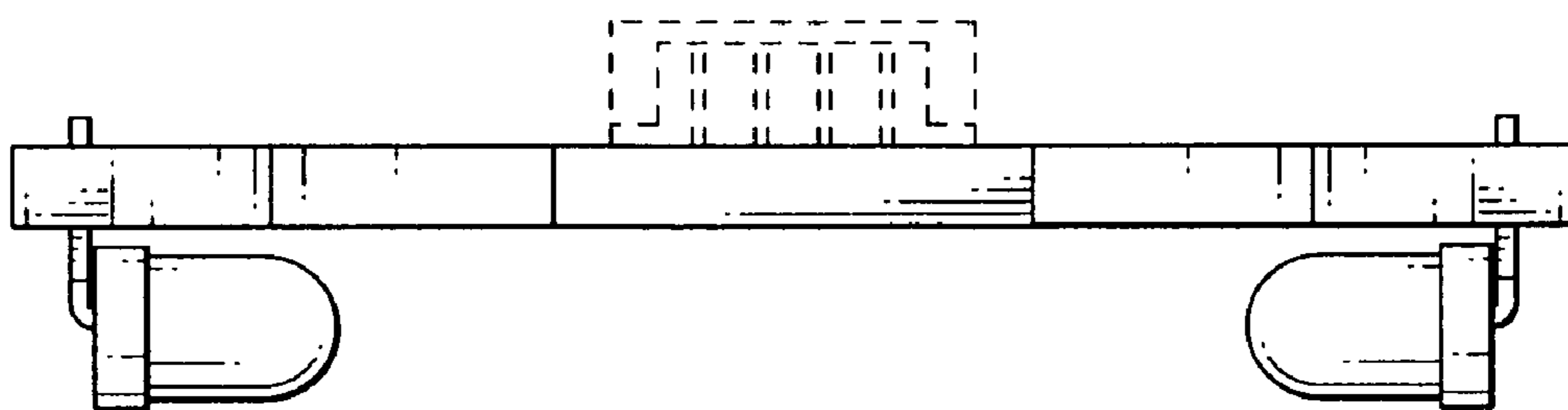


FIG. 2

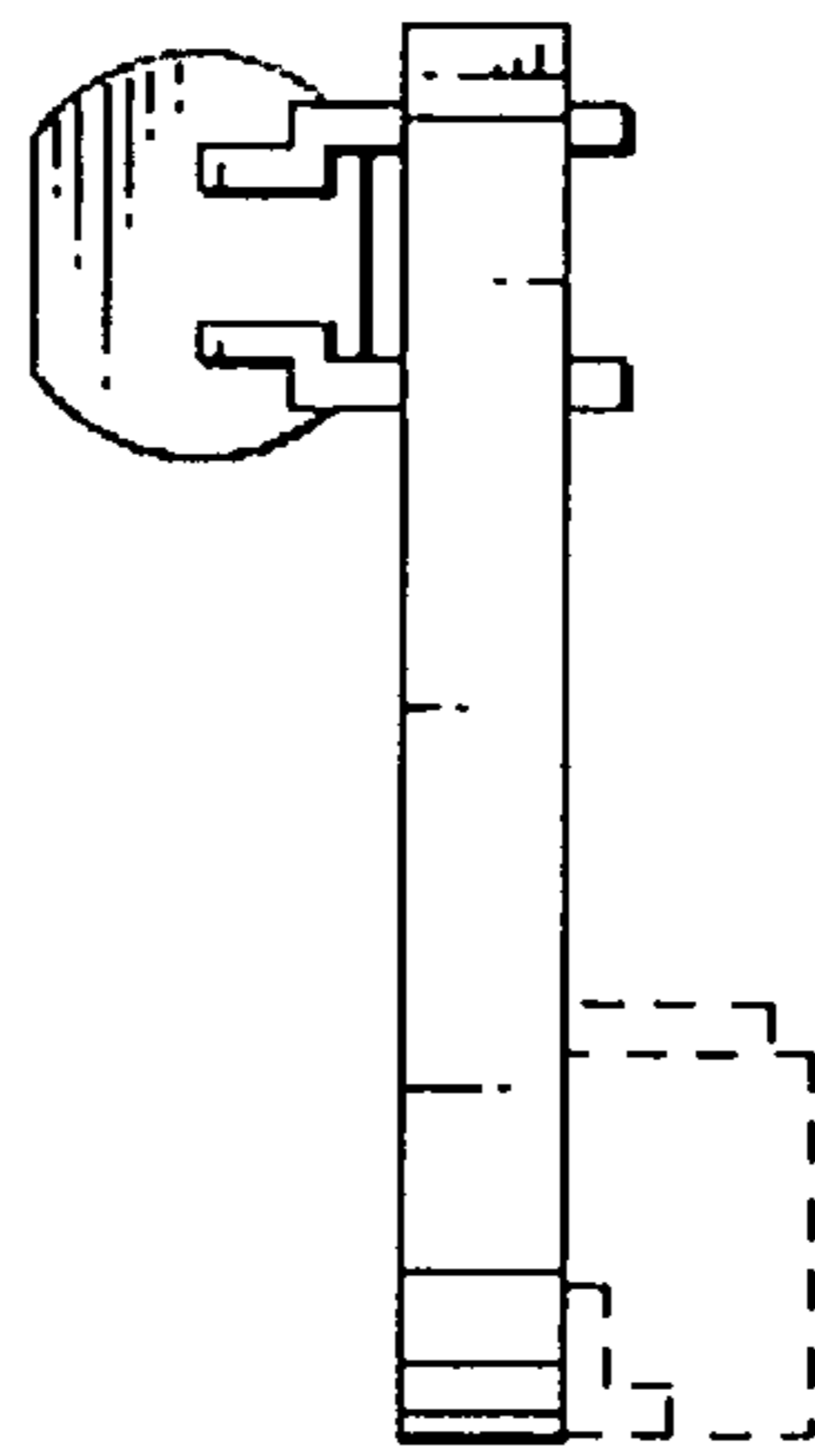


FIG. 3

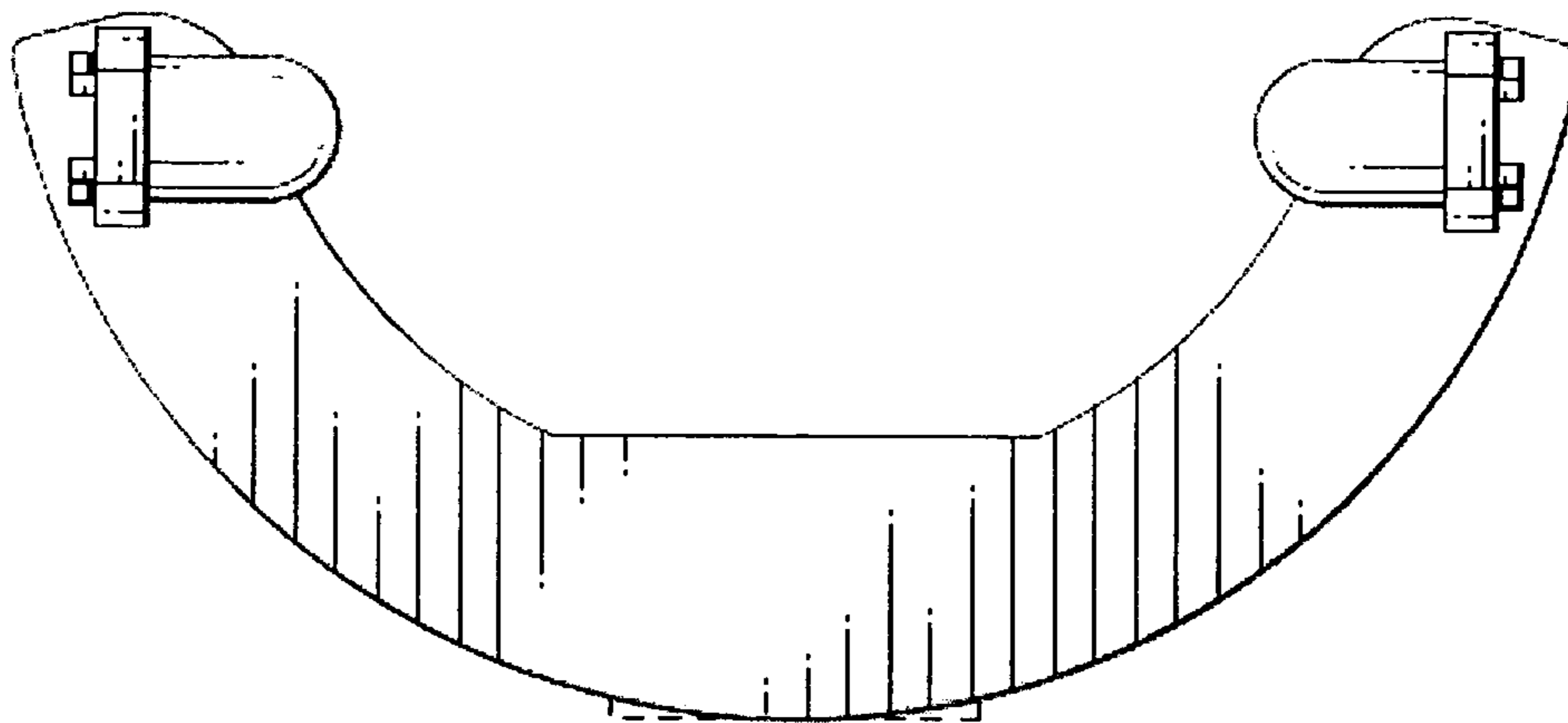


FIG. 4

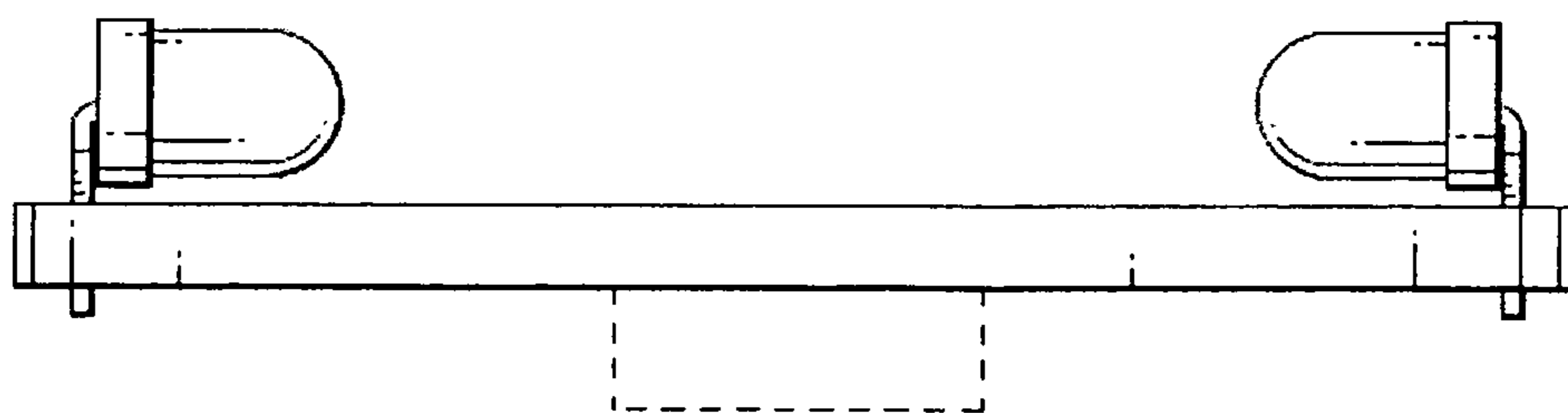


FIG. 5