



US00D546295S

(12) **United States Design Patent**
Marchetto et al.

(10) **Patent No.:** **US D546,295 S**
(45) **Date of Patent:** **** Jul. 10, 2007**

(54) **REMOTE CONTROL**

(75) Inventors: **Oscar Marchetto**, Oderzo (IT);
Roberto Gherlenda, Oderzo (IT)

(73) Assignee: **Nice SpA**, Oderzo (Treviso) (IT)

(**) Term: **14 Years**

(21) Appl. No.: **29/232,190**

(22) Filed: **Jun. 16, 2005**

(30) **Foreign Application Priority Data**

Dec. 17, 2004 (IT) TV2004O000036

(51) **LOC (8) Cl.** **13-03**

(52) **U.S. Cl.** **D13/168**

(58) **Field of Classification Search** D13/168;
D10/104, 106; D14/218, 247; 340/825.22,
340/825.24, 825.25, 825.31, 825.36, 825.69,
340/825.71, 825.72; 341/20, 22, 23, 34,
341/173, 174, 176; 345/156, 168, 169; 348/734;
455/92, 95, 100, 128, 151.1–151.4, 325–355;
463/39; 700/17, 19, 20, 281

See application file for complete search history.

(56) **References Cited**

U.S. PATENT DOCUMENTS

D219,028 S * 10/1970 Miller D14/218
4,878,055 A * 10/1989 Kasahara 341/23
D305,018 S * 12/1989 Pena et al. D13/164
D349,688 S * 8/1994 Holbrook D13/162
D354,489 S * 1/1995 Patton et al. D14/218
D373,998 S * 9/1996 Tutt et al. D13/168
D379,460 S * 5/1997 Chang et al. D14/218
D381,662 S * 7/1997 Weissberg et al. D14/218
D381,960 S * 8/1997 Chandler D13/164

D390,210 S * 2/1998 Bickford et al. D14/403
D397,996 S * 9/1998 Smith D13/168
D408,017 S * 4/1999 Matsuoka D13/168
D452,520 S * 12/2001 Gotham et al. D16/235
6,693,552 B1 * 2/2004 Herzig et al. 340/825.72

OTHER PUBLICATIONS

Oscar Marchetto et al., "Support for Remote Control", U.S. Appl. No. 29/232,188, filed Jun.16, 2005. Image File Wrapper available.
Oscar Marchetto et al., "Support for Remote Control", U.S. Appl. No. 29/232,187, filed Jun.16, 2005. Image File Wrapper available.
Oscar Marchetto et al., "Remote Control", U.S. Appl. No. 29/232,191, filed Jun.16, 2005. Image File Wrapper available.
Oscar Marchetto et al., "Remote Control", U.S. Appl. No. 29/232,189, filed Jun.16, 2005. Image File Wrapper available.

* cited by examiner

Primary Examiner—Selina Sikder

(74) *Attorney, Agent, or Firm*—Wenderoth, Lind & Ponack, L.L.P.

(57) **CLAIM**

The ornamental design for remote control, as shown and described.

DESCRIPTION

FIG. 1 is a perspective view of the remote control showing our new design;

FIG. 2 is a front view of FIG. 1 thereof;

FIG. 3 is a right lateral view of FIG. 1 thereof;

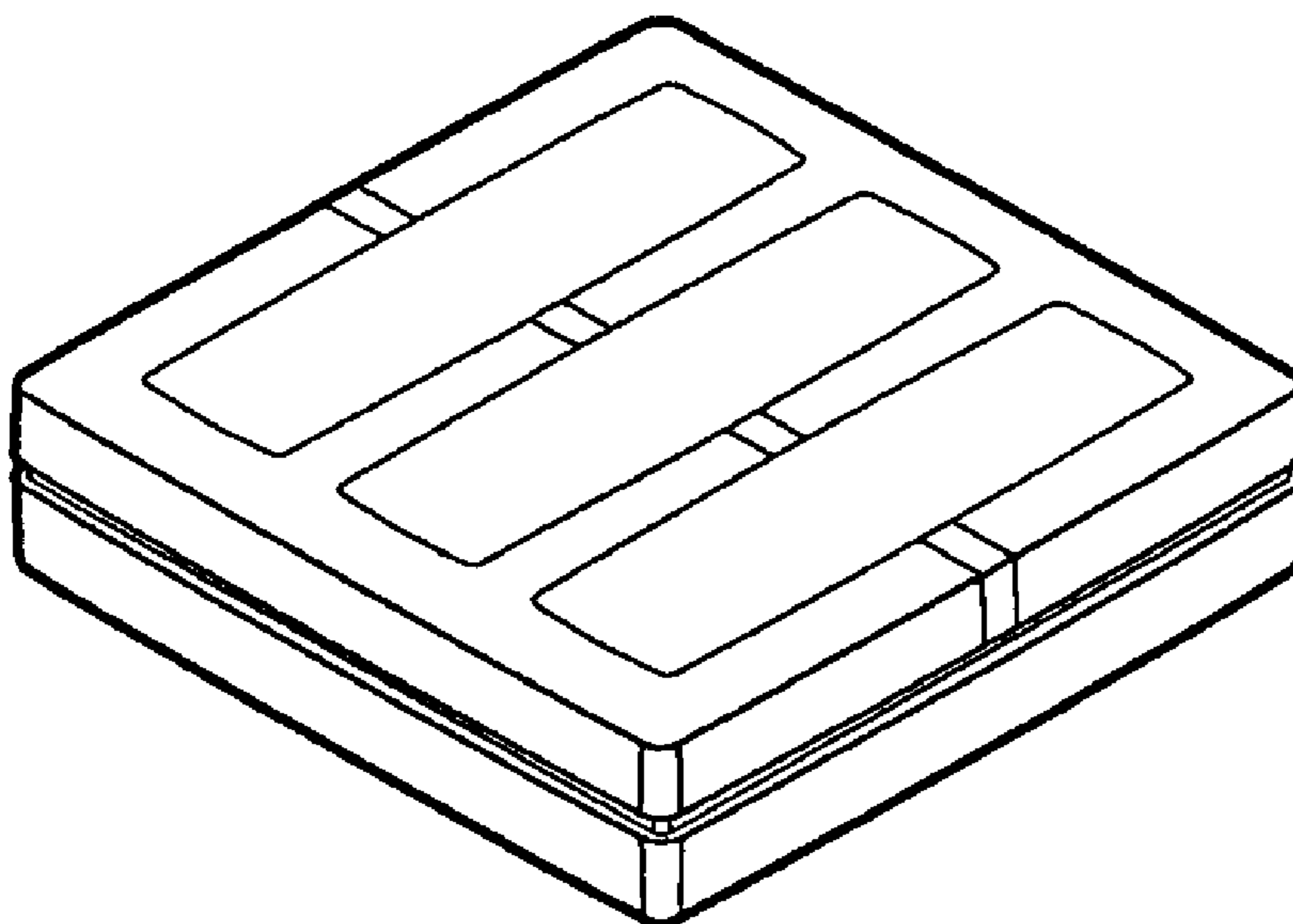
FIG. 4 is a bottom view of FIG. 1 thereof;

FIG. 5 is a top view of FIG. 1 thereof;

FIG. 6 is a left lateral view of FIG. 1 thereof; and,

FIG. 7 is rear view of FIG. 1 thereof.

1 Claim, 1 Drawing Sheet



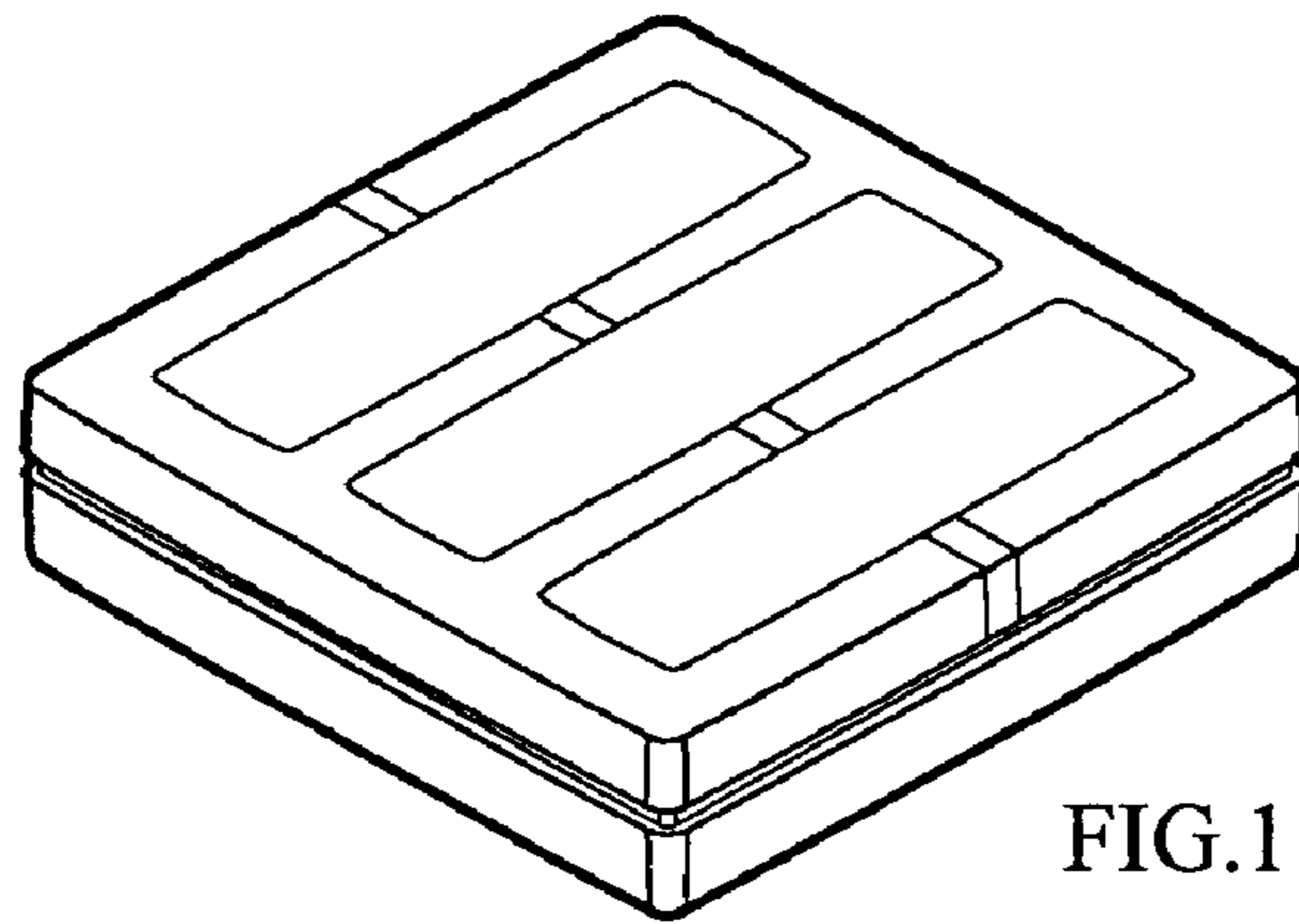


FIG.1

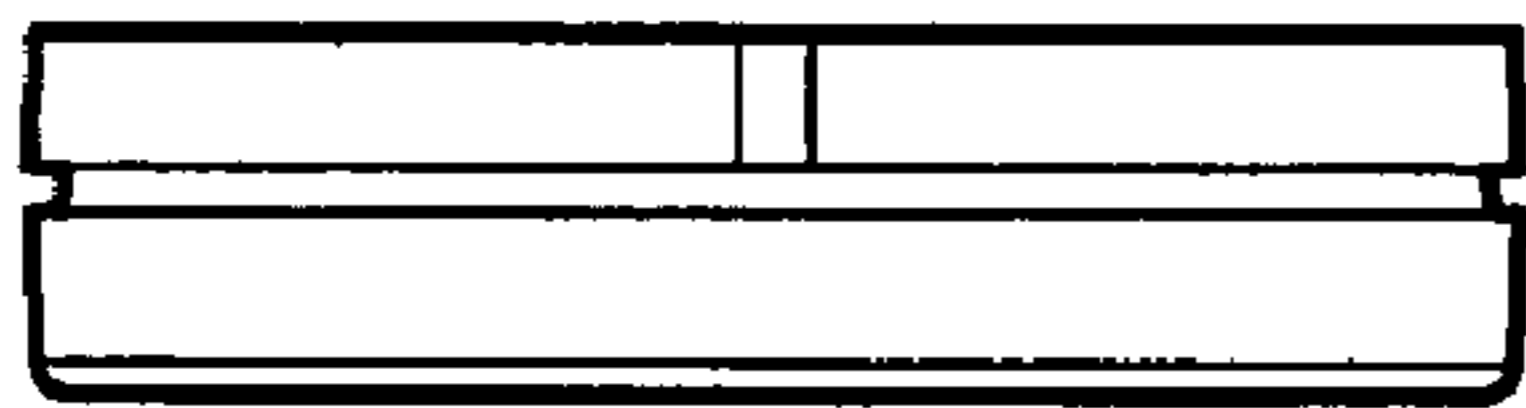


FIG.2

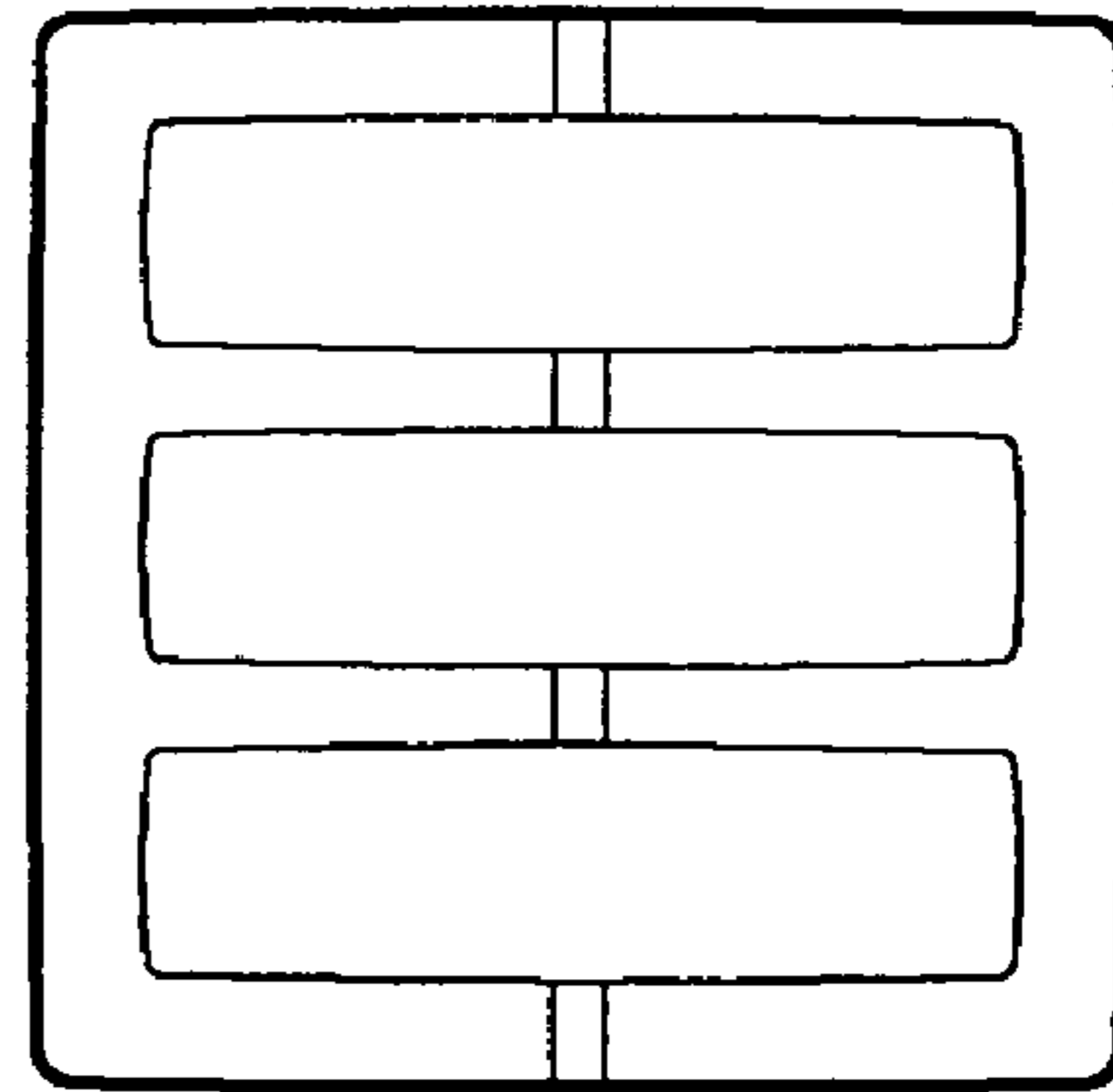


FIG.5

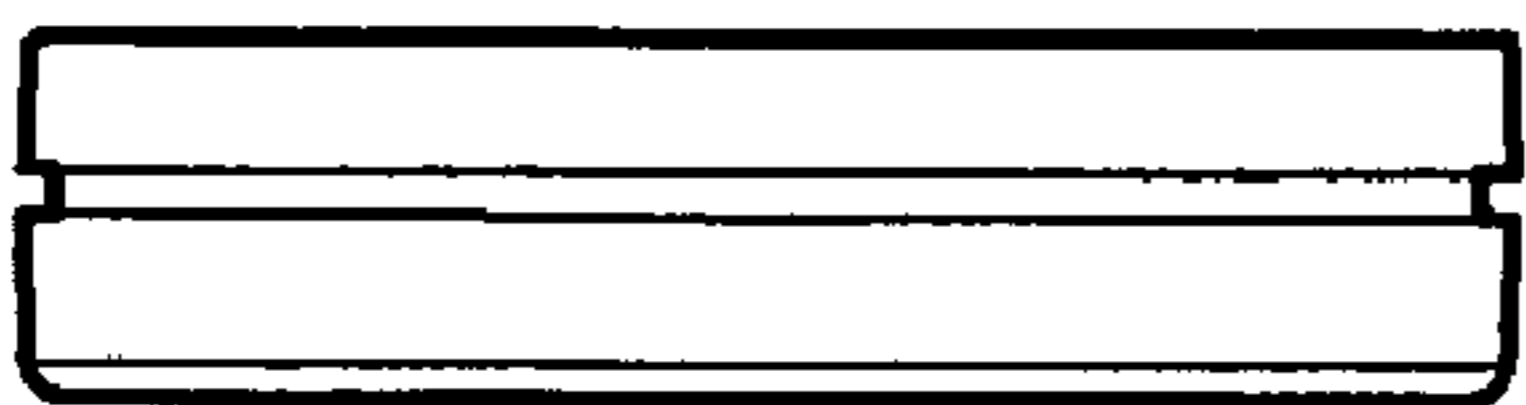


FIG.3

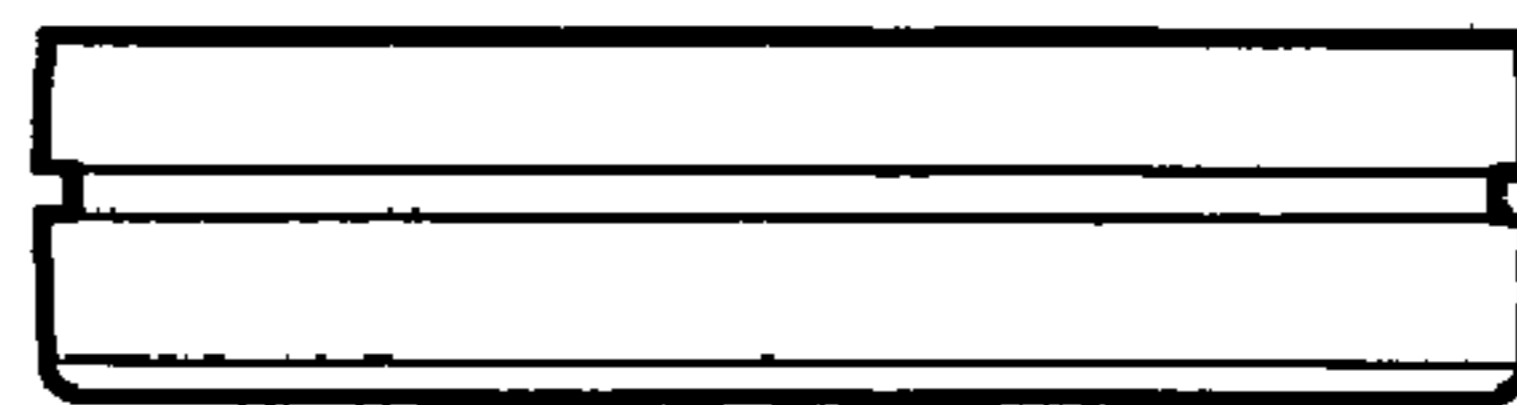


FIG.6

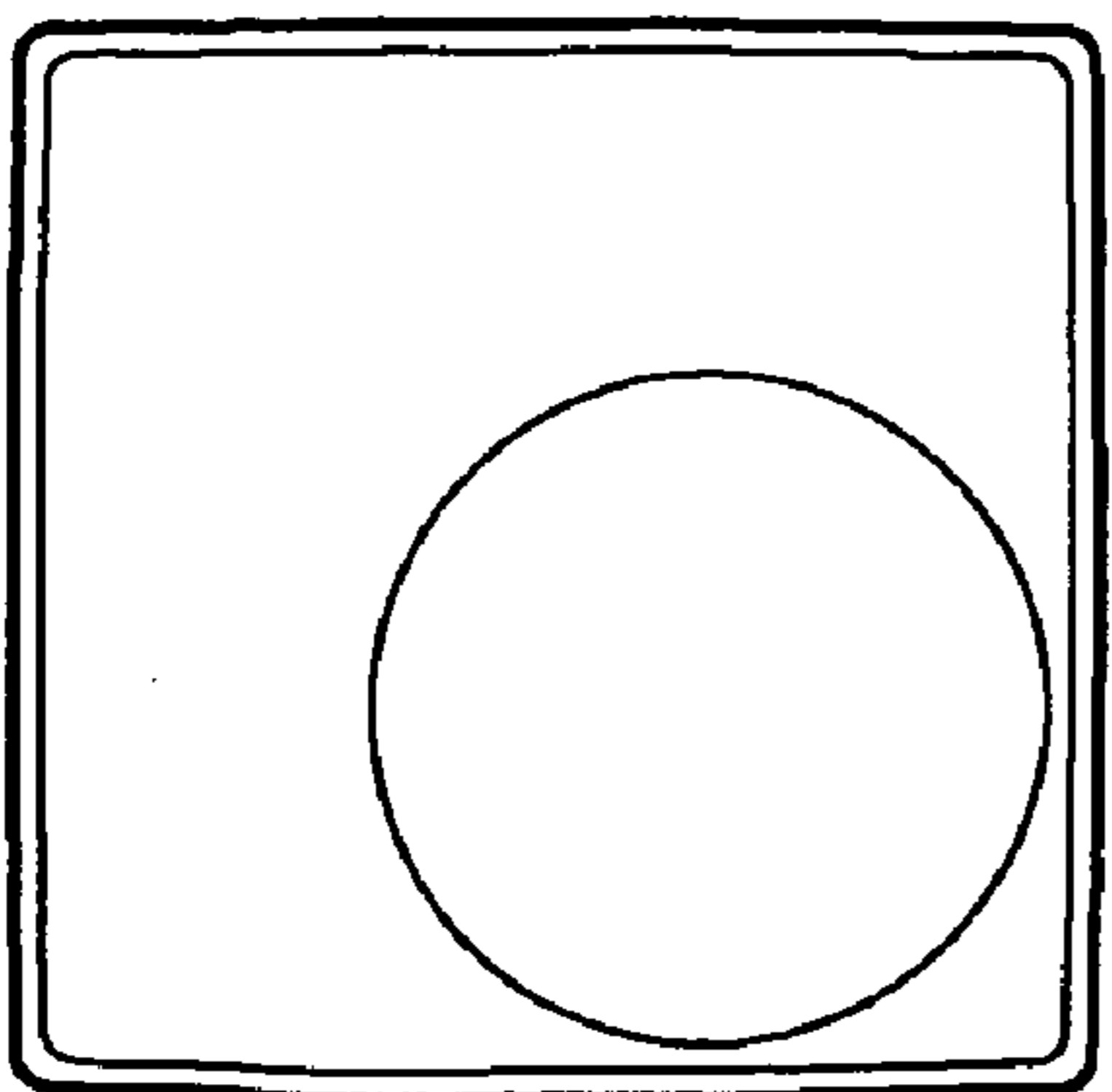


FIG.4

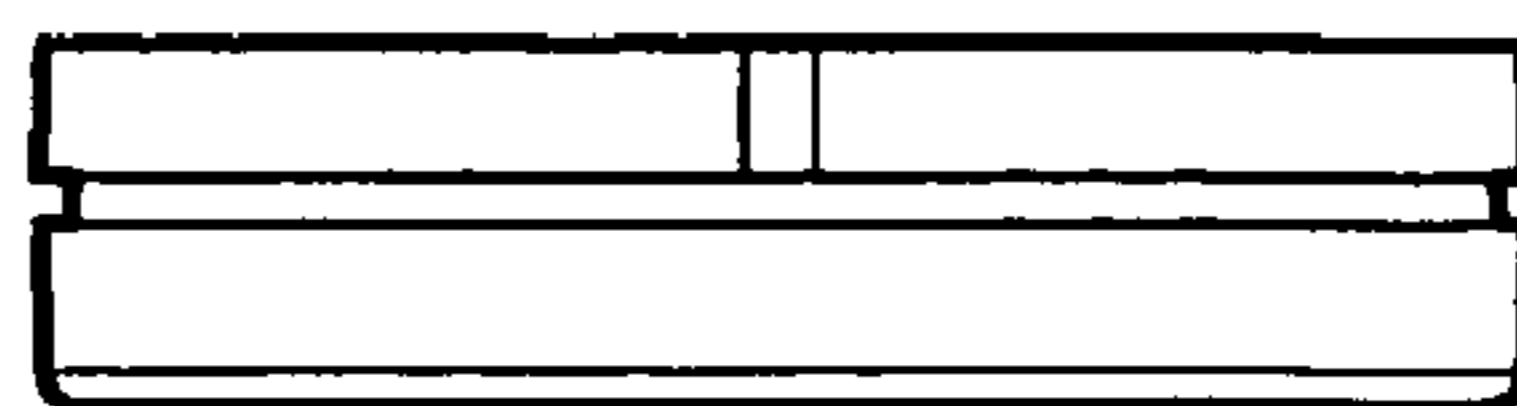


FIG.7