



US00D546289S

(12) **United States Design Patent** (10) **Patent No.:** **US D546,289 S**
Sasaki (45) **Date of Patent:** **** Jul. 10, 2007**

(54) **CONNECTOR FOR MEMORY CARDS**

2005/0118877 A1 * 6/2005 Hu et al. 439/630

(75) Inventor: **Ryo Sasaki**, Shinagawa-ku (JP)

FOREIGN PATENT DOCUMENTS

(73) Assignee: **SMK Corporation**, Tokyo (JP)

JP	1188367	7/1989
JP	1215550	8/1989
JP	1215553	8/1989
JP	1249702	10/1989

(**) Term: **14 Years**

OTHER PUBLICATIONS

(21) Appl. No.: **29/252,363**

Patent Abstracts of Japan for JP2003-297489 published Oct. 17, 2003.

(22) Filed: **Jan. 19, 2006**

Patent Abstracts of Japan for JP2003-317860 published Nov. 7, 2003.

Related U.S. Application Data

(63) Continuation of application No. 29/224,996, filed on Mar. 9, 2005, now abandoned.

Patent Abstracts of Japan for JP2003-317861 published Nov. 7, 2003.

(30) **Foreign Application Priority Data**

* cited by examiner

Sep. 9, 2004 (JP) 2004-027467

Primary Examiner—Daniel Bui

(51) **LOC (8) Cl.** **13-03**

(74) *Attorney, Agent, or Firm*—Darby & Darby

(52) **U.S. Cl.** **D13/147**

(57) **CLAIM**

(58) **Field of Classification Search** D13/133,
D13/146-147, 154, 184, 199; D14/432-433,
D14/435; 439/108, 607-610, 626, 629-630,
439/636, 638

The ornamental design for a connector for memory cards, as shown and described.

See application file for complete search history.

DESCRIPTION

(56) **References Cited**

FIG. 1 is a front view of my new design for a connector for memory cards;

U.S. PATENT DOCUMENTS

FIG. 2 is a rear view thereof;

D320,003 S *	9/1991	Komatsu	D13/147
D410,628 S *	6/1999	Wu	D13/147
D416,541 S *	11/1999	Hirai et al.	D13/147
D434,386 S *	11/2000	Wu	D13/147
6,390,836 B1 *	5/2002	Motegi et al.	439/159
D488,815 S *	4/2004	Hashimoto et al.	D14/433
6,716,066 B1 *	4/2004	Kuo	439/630
2005/0112947 A1 *	5/2005	Fan	439/630

FIG. 3 is a top plan view thereof;

FIG. 4 is a bottom plan view thereof;

FIG. 5 is a right elevational view thereof;

FIG. 6 is a left elevational view thereof;

FIG. 7 is a front, top perspective view thereof; and,

FIG. 8 is a rear, bottom perspective view thereof.

1 Claim, 3 Drawing Sheets

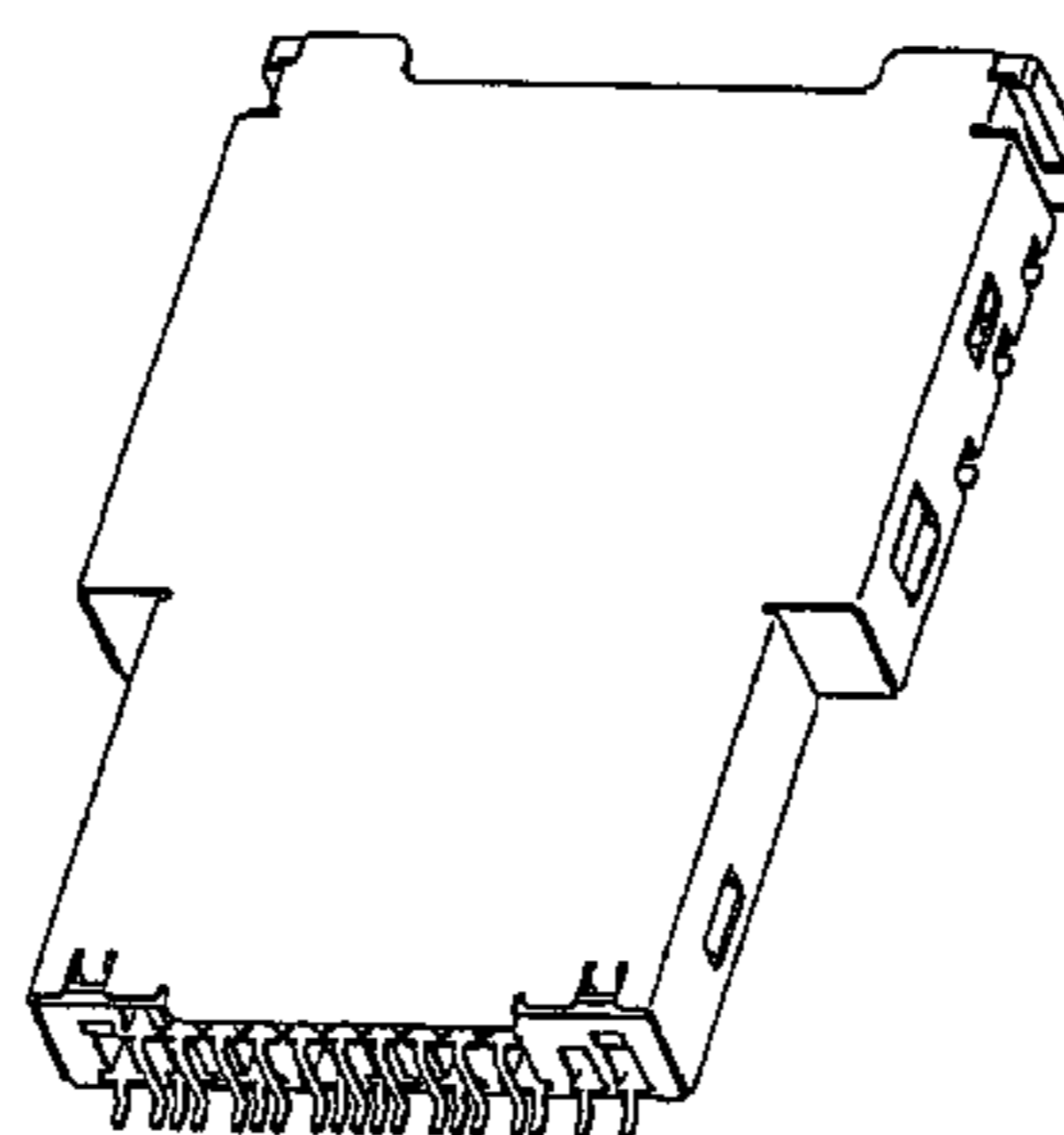
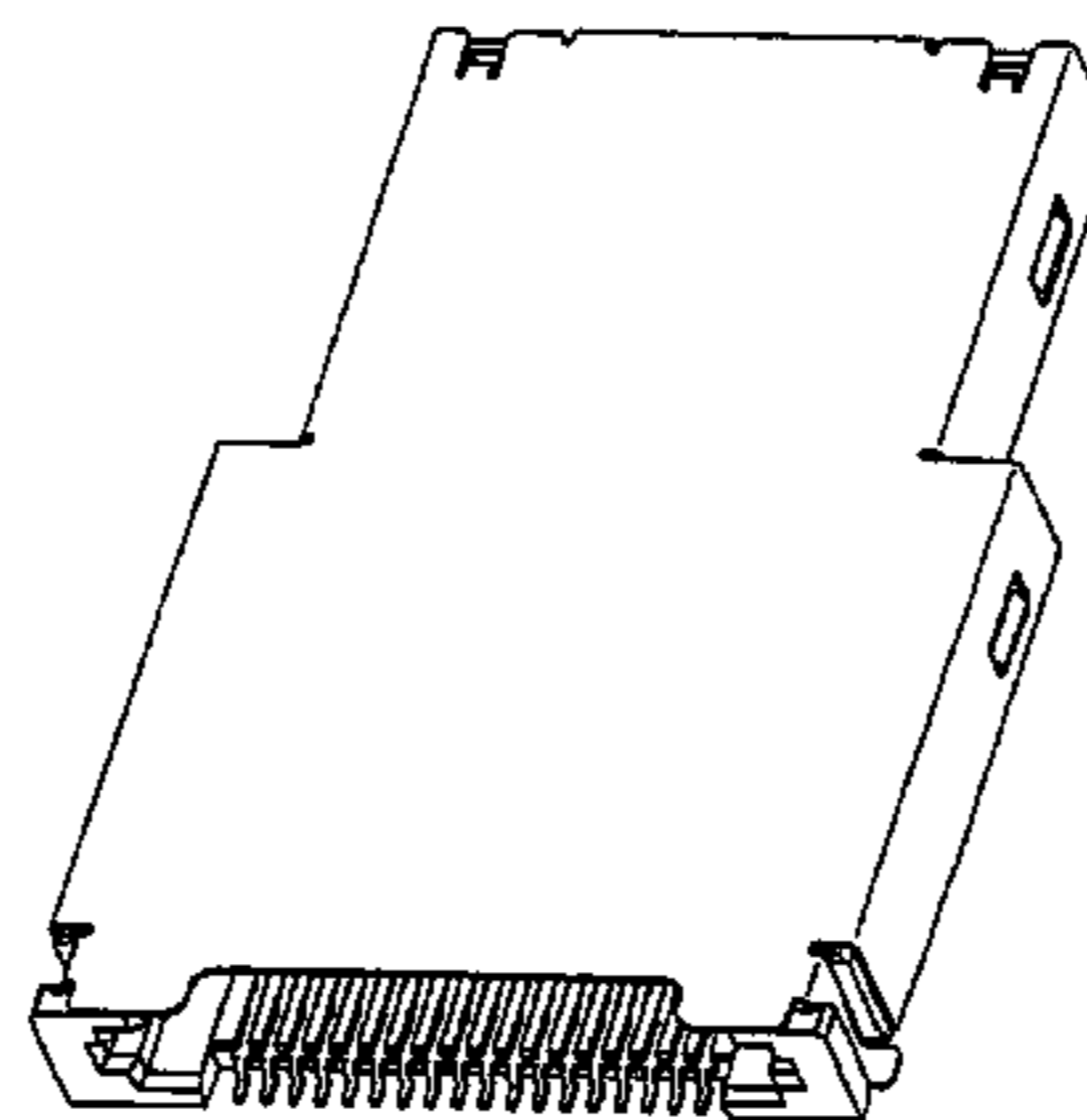


FIG. 1

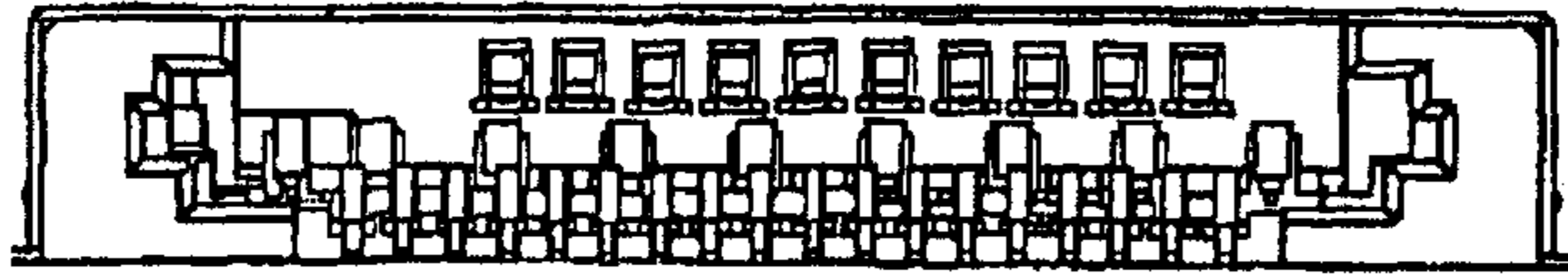


FIG. 2

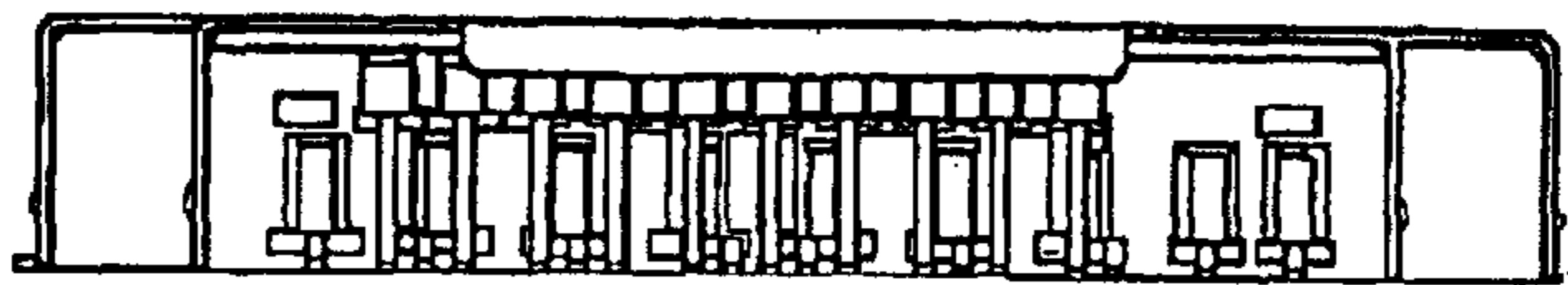


FIG. 3

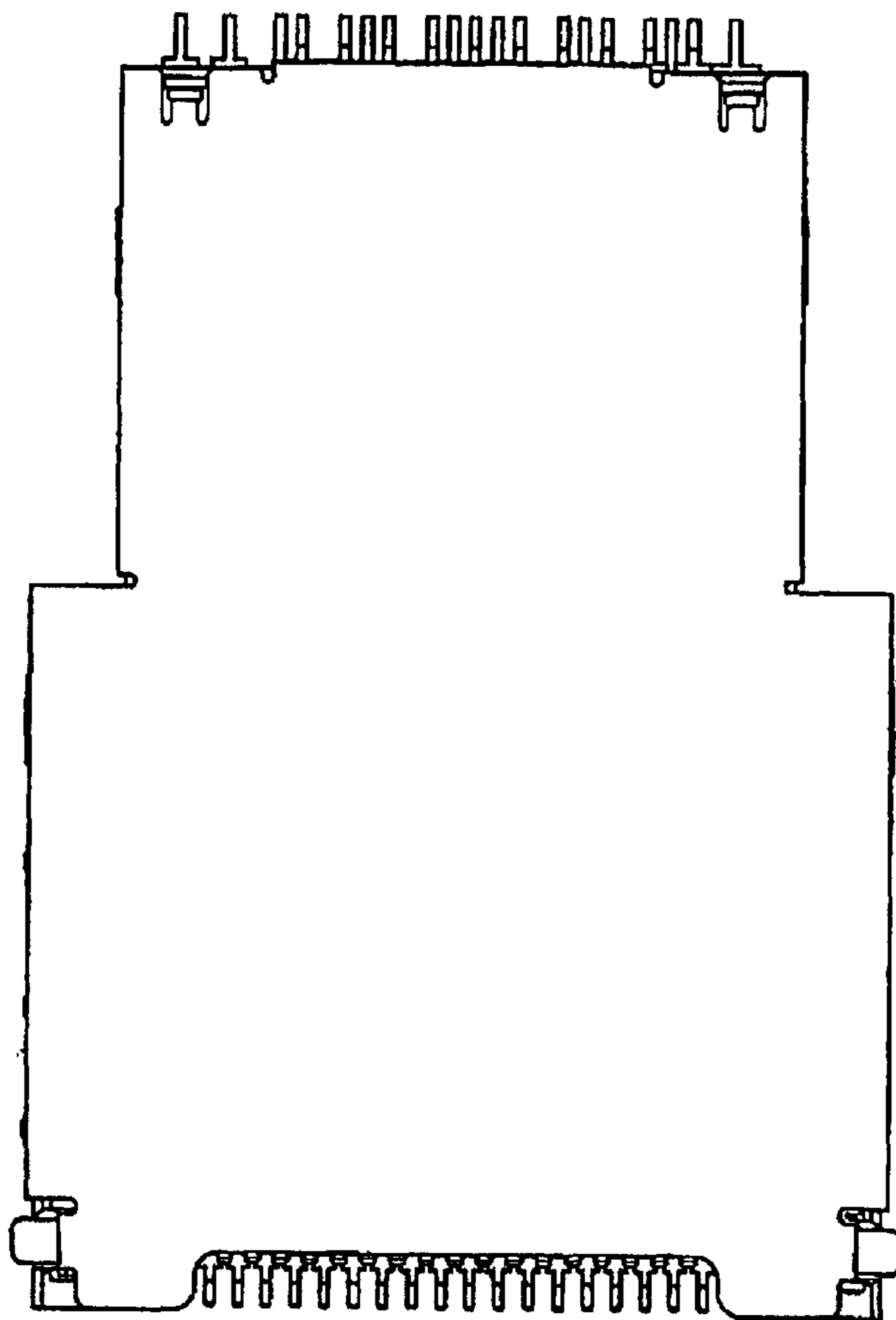


FIG. 4

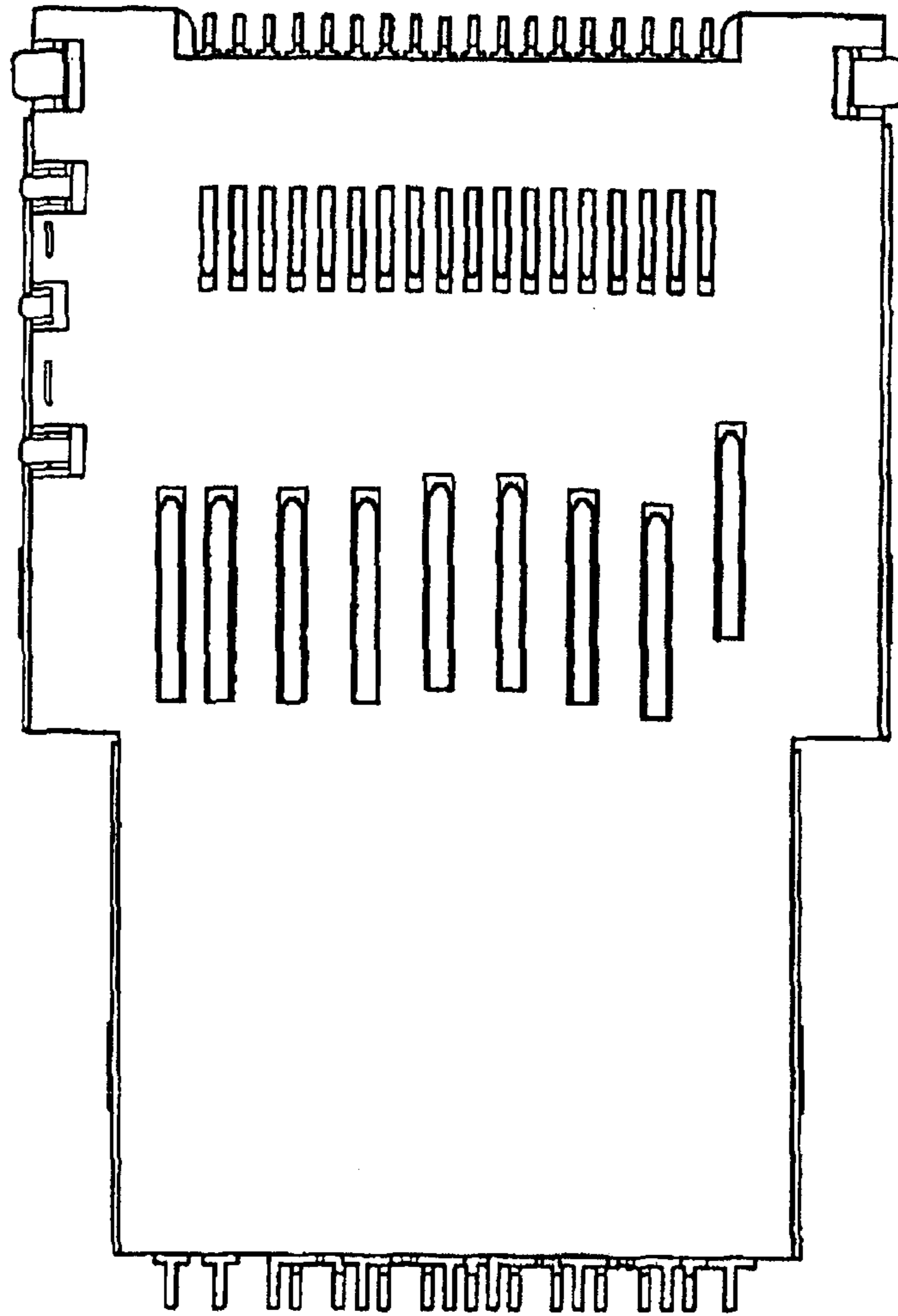


FIG. 5



FIG. 6



FIG. 7

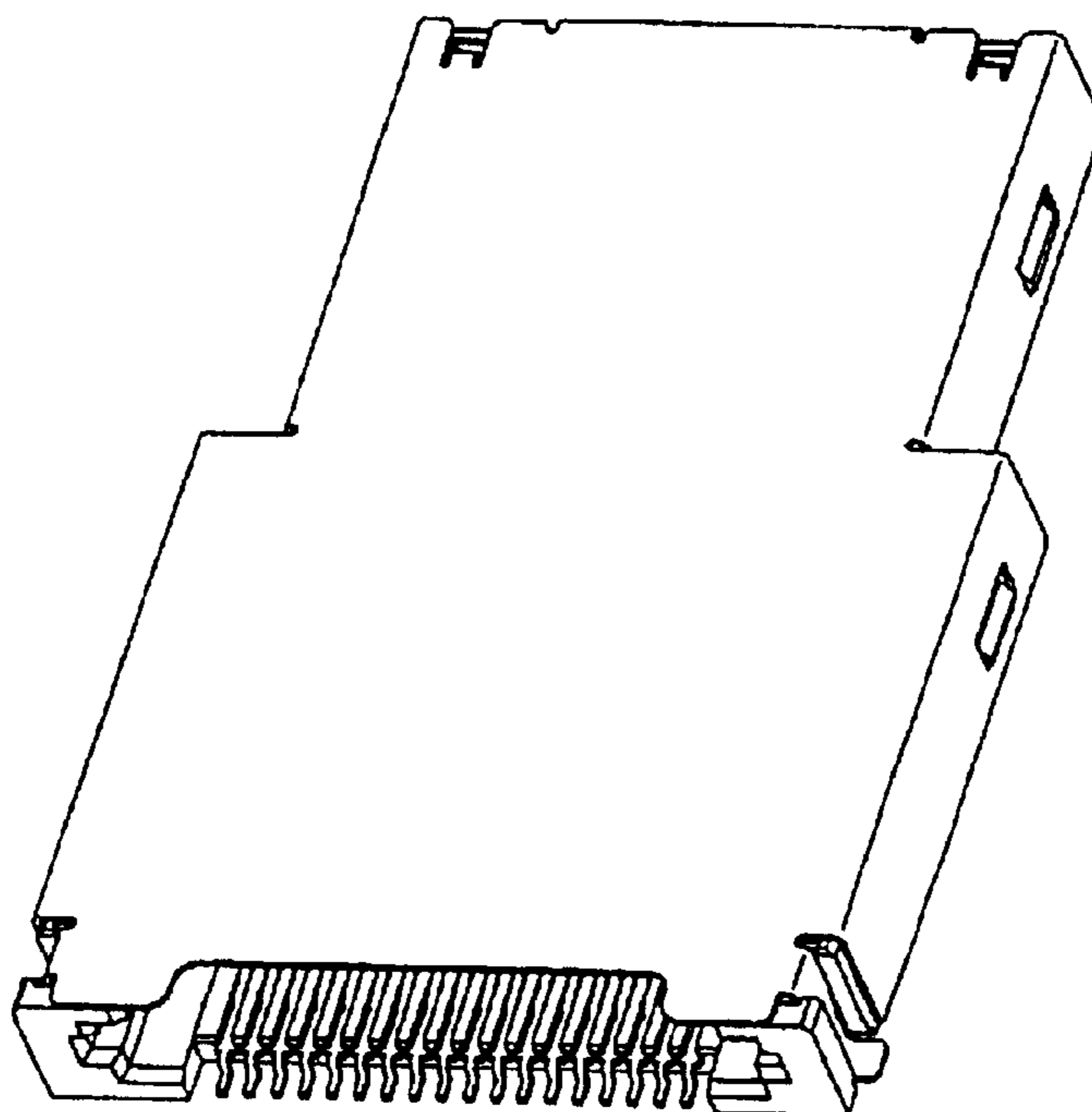


FIG. 8

