

US00D546288S

(12) **United States Design Patent**
Hsu et al.

(10) **Patent No.:** **US D546,288 S**

(45) **Date of Patent:** **** Jul. 10, 2007**

(54) **SIM CARD CONNECTOR**

(75) Inventors: **Chang-Hsin Hsu**, Tu-Chen (TW);
Wen-Qiang Ma, Kunsan (CN)

(73) Assignee: **Hon Hai Precision Ind. Co., Ltd.**,
Taipei Hsien (TW)

(**) Term: **14 Years**

(21) Appl. No.: **29/231,414**

(22) Filed: **Jun. 3, 2005**

(30) **Foreign Application Priority Data**

Dec. 4, 2004 (CN) 2004 3 0108962

(51) **LOC (8) Cl.** **13-03**

(52) **U.S. Cl.** **D13/147**

(58) **Field of Classification Search** D13/133,
D13/146-147, 149, 154, 184, 199; D14/432-433,
D14/435; 361/684, 754; 439/64, 79, 159-160,
439/108, 607-610, 629-630, 636, 638
See application file for complete search history.

(56) **References Cited**

U.S. PATENT DOCUMENTS

6,609,936 B2 * 8/2003 Bricaud et al. 439/630

D482,692 S * 11/2003 Nishio et al. D14/433
6,655,973 B2 * 12/2003 Ji et al. 439/159
6,835,100 B1 * 12/2004 Chen 439/630
D523,860 S * 6/2006 Xu et al. D14/436
D535,258 S * 1/2007 Sasaki D13/147

* cited by examiner

Primary Examiner—Daniel Bui

(74) *Attorney, Agent, or Firm*—Wei Te Chung

(57) **CLAIM**

The ornamental design for a SIM card connector, as shown.

DESCRIPTION

FIG. 1 is a perspective view of a SIM card connector showing our new design;

FIG. 2 is a front elevational view of FIG. 1;

FIG. 3 is a rear elevational view of FIG. 1;

FIG. 4 is a left side elevational view of FIG. 1;

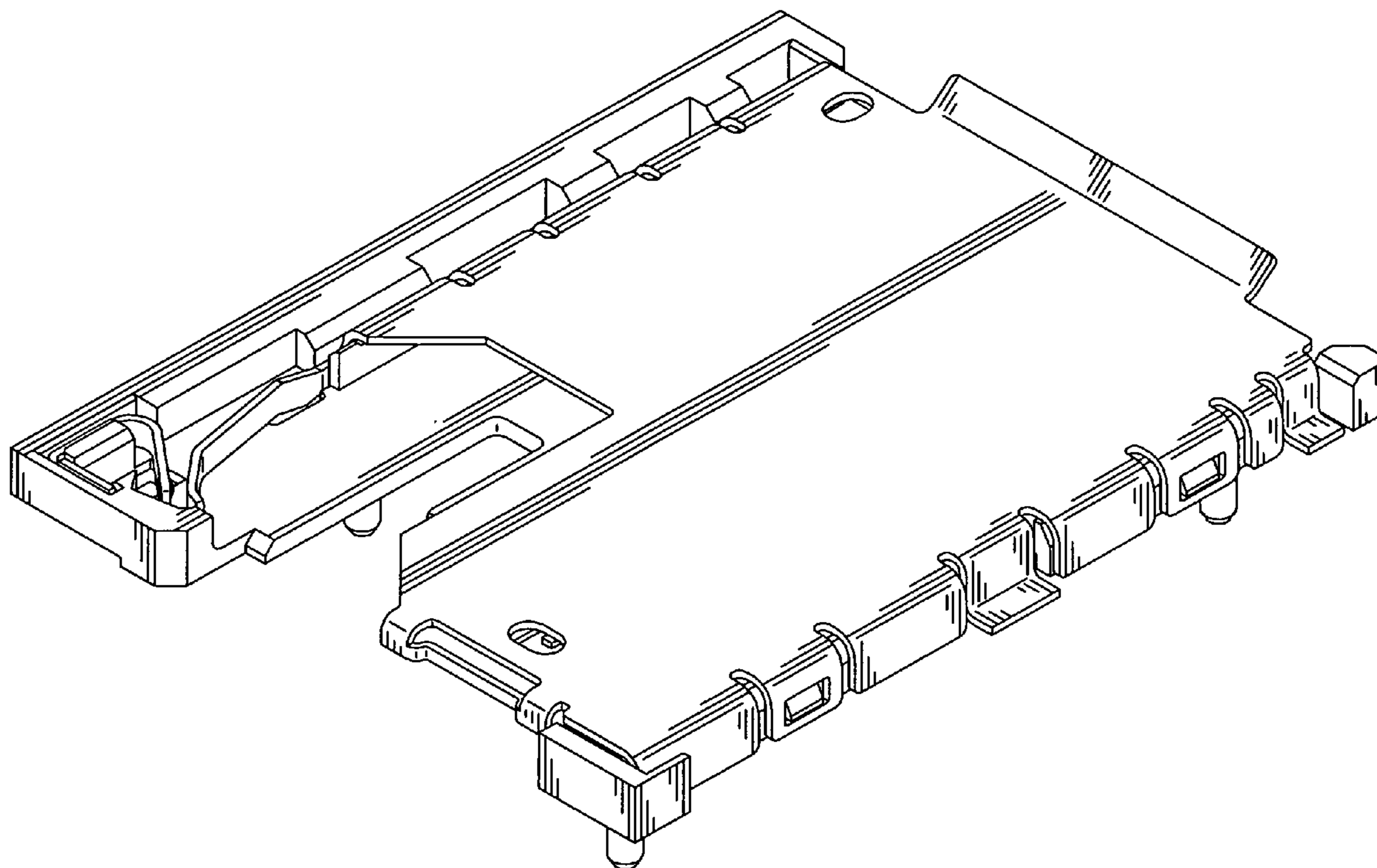
FIG. 5 is a right side elevational view of FIG. 1;

FIG. 6 is a top plan view of FIG. 1; and,

FIG. 7 is a bottom plan view of FIG. 1.

The broken line showing of the environment is for illustrative purposes only and forms no part of the claimed design.

1 Claim, 7 Drawing Sheets



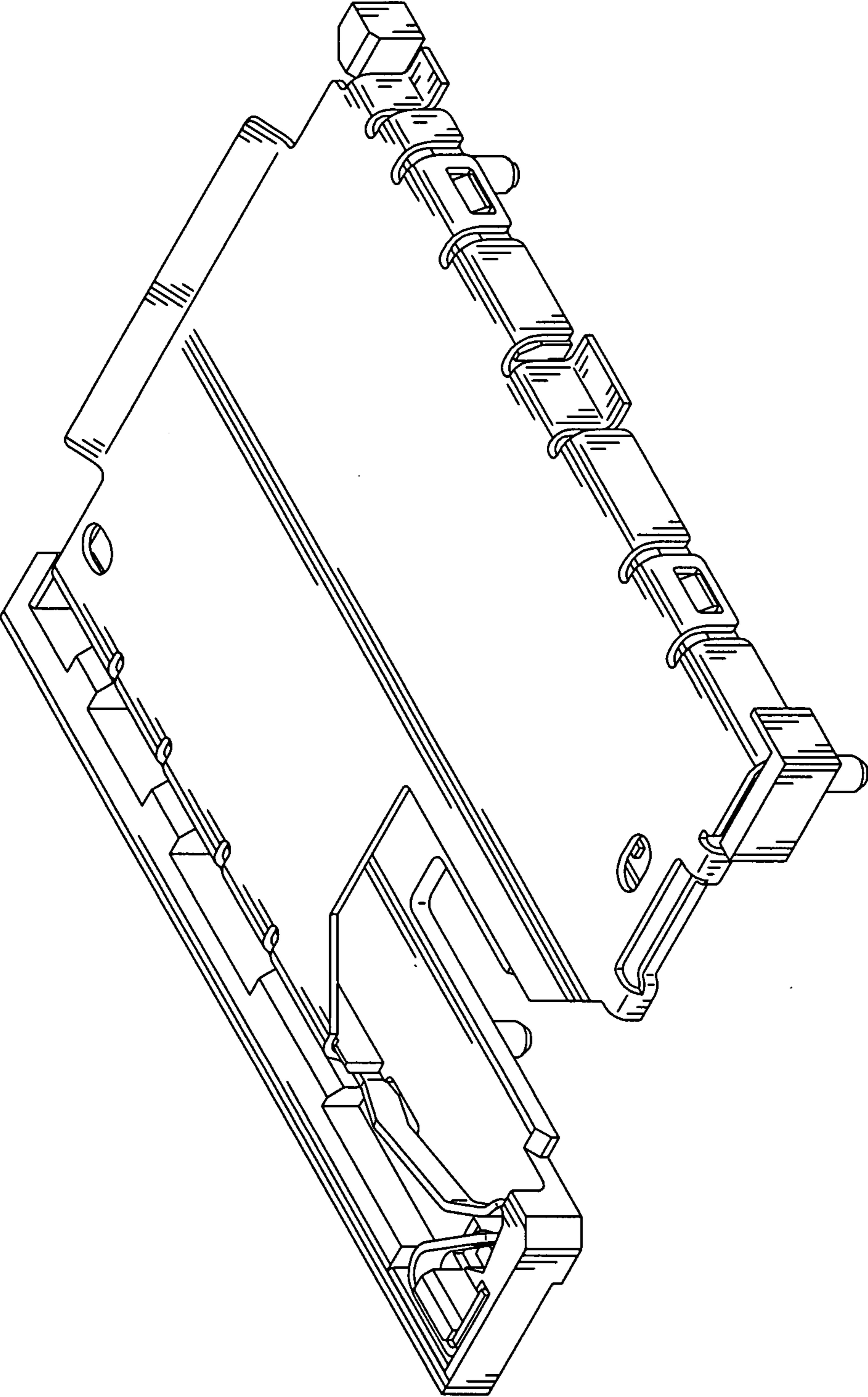


FIG. 1

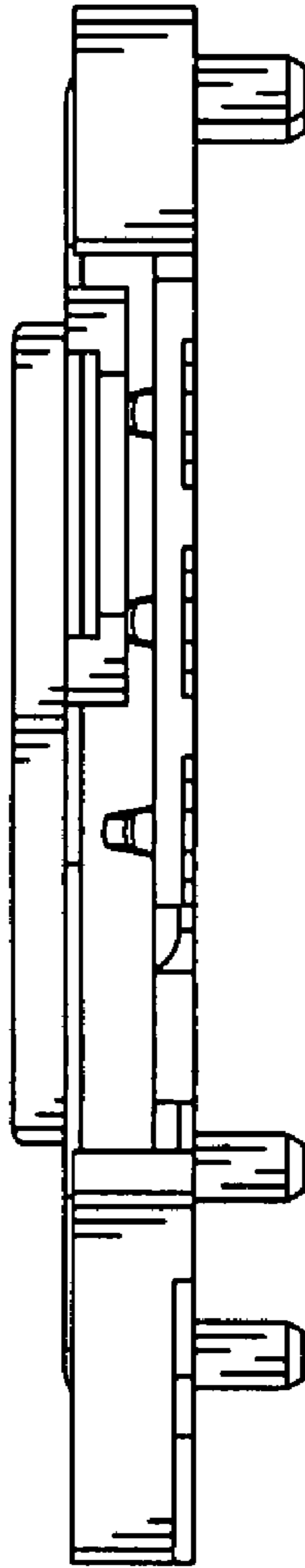


FIG. 2

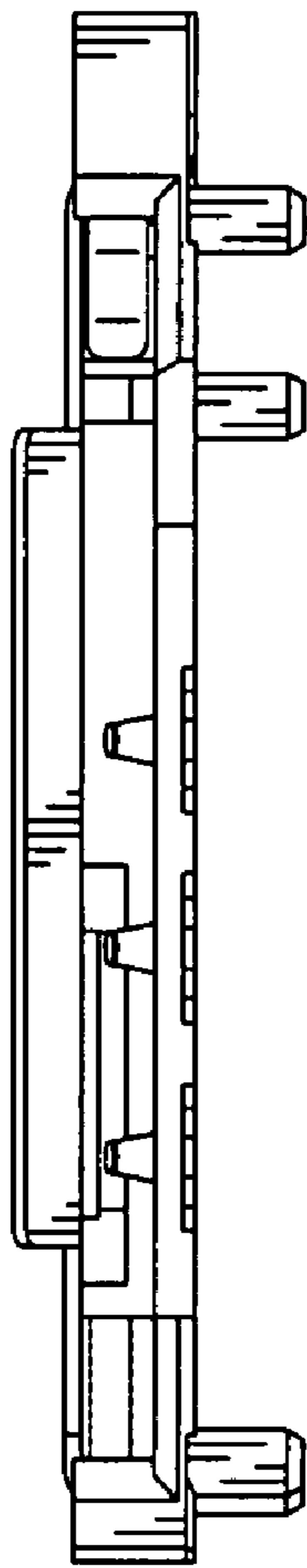


FIG. 3

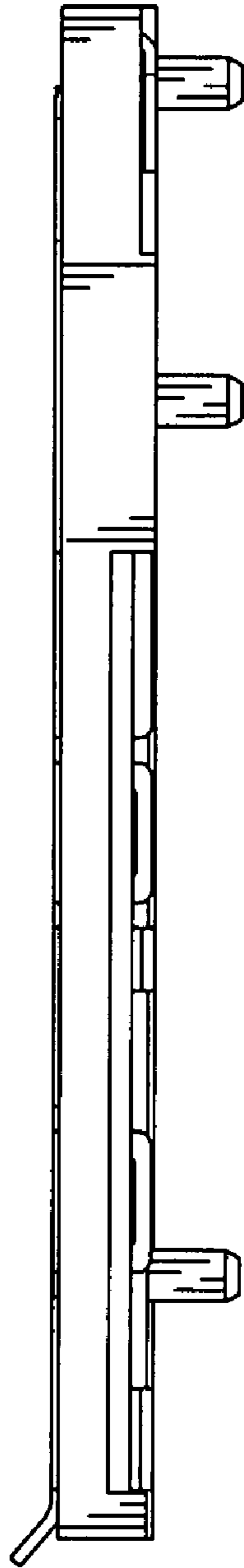


FIG. 4

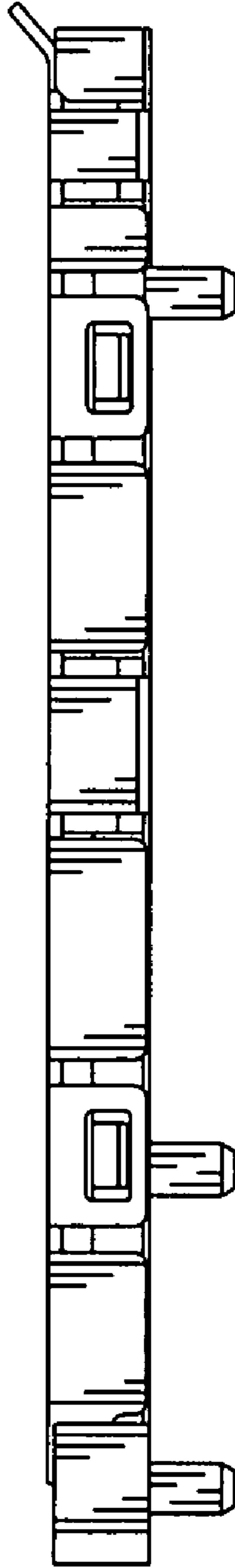


FIG. 5

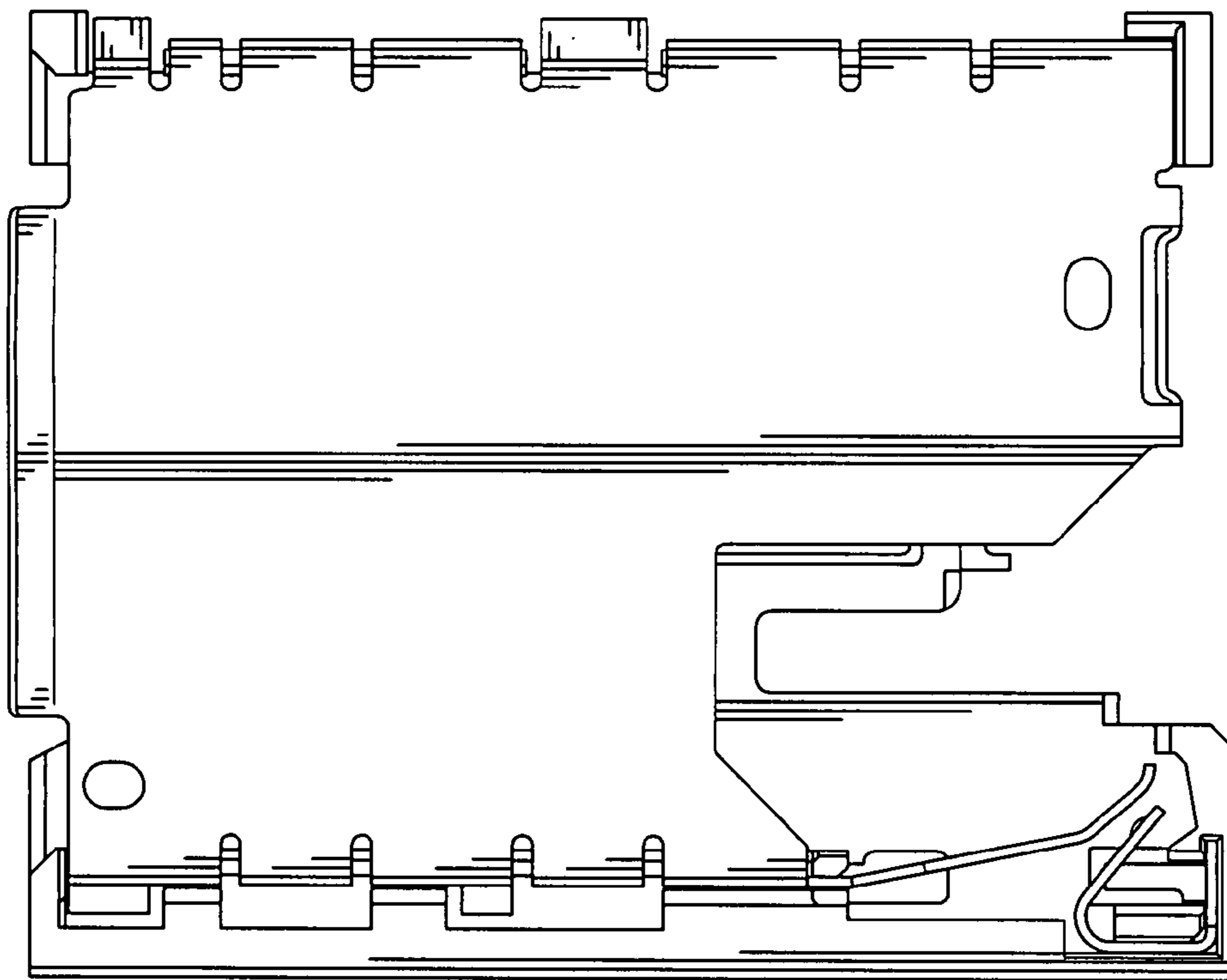


FIG. 6

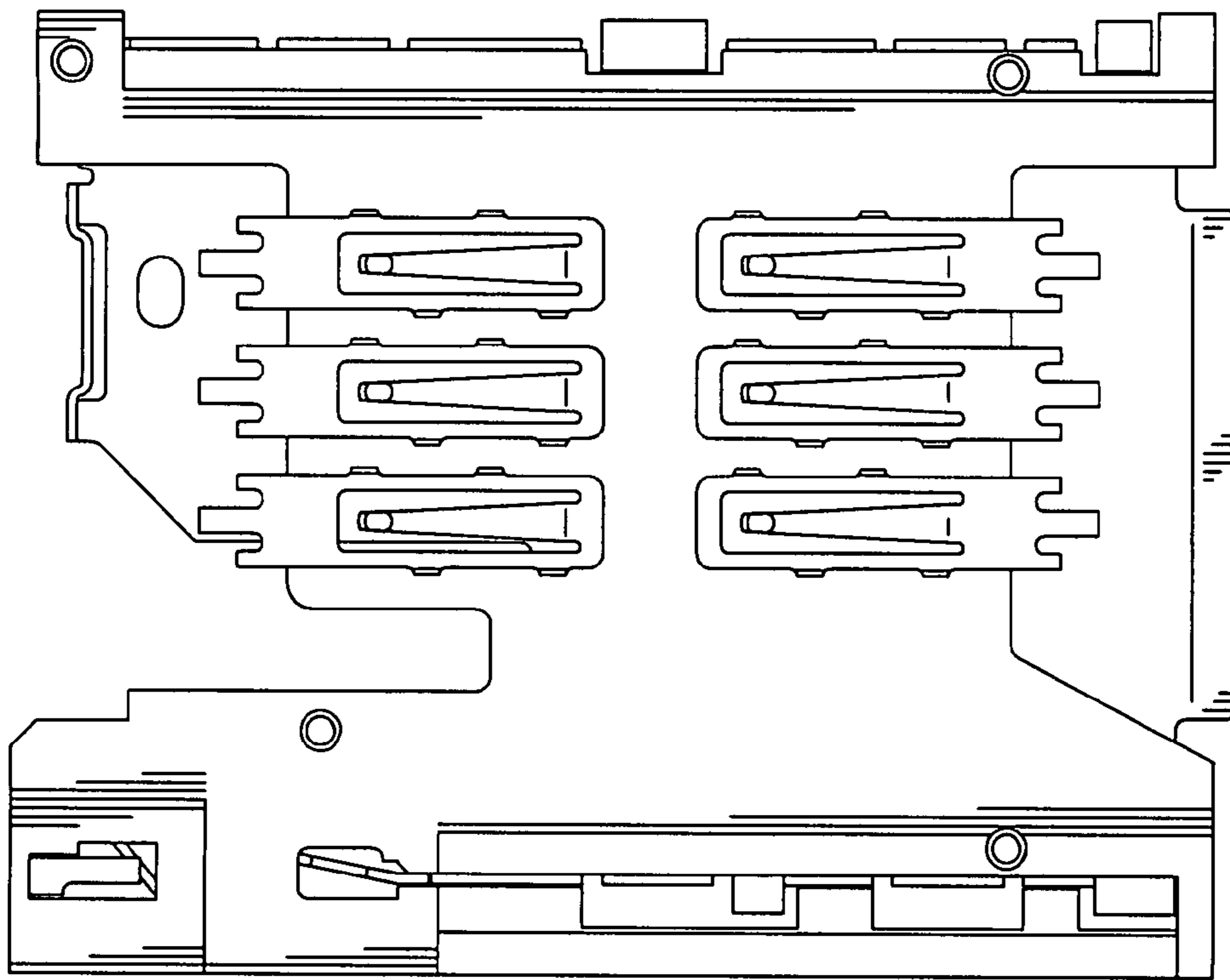


FIG. 7