



US00D546286S

(12) **United States Design Patent**  
**Lichtscheidl et al.**

(10) **Patent No.:** **US D546,286 S**  
(45) **Date of Patent:** **\*\* Jul. 10, 2007**

(54) **UTILITY CONNECTION STATION**

(75) Inventors: **Kristine E. Lichtscheidl**, St. Francis, MN (US); **Mark A. Schaffner**, Maple Grove, MN (US); **Thomas E. Kramer**, Coon Rapids, MN (US); **Fusu Thao**, St. Paul, MN (US)

(73) Assignee: **Koninklijke Philips Electronics N.V.**, Eindhoven (NL)

(\*\*) Term: **14 Years**

(21) Appl. No.: **29/235,843**

(22) Filed: **Aug. 8, 2005**

(51) **LOC (8) Cl.** ..... **13-03**

(52) **U.S. Cl.** ..... **D13/139.6**

(58) **Field of Classification Search** . D13/139.1-139.8,  
D13/124, 160, 162, 164, 178, 184; 361/118-119;  
439/106-108, 188, 535, 650-654

See application file for complete search history.

(56) **References Cited**

**U.S. PATENT DOCUMENTS**

2,196,842 A	4/1940	Strazzabosco	
4,245,873 A	1/1981	Markowitz	
4,911,652 A	3/1990	Savoca et al.	
5,072,330 A	12/1991	Fuqua	
5,122,069 A	6/1992	Brownlie et al.	
5,211,584 A	5/1993	Lee	
5,231,562 A	7/1993	Pierce et al.	
5,277,620 A	1/1994	Taylor	
5,364,289 A	11/1994	Noguchi et al.	
5,383,799 A	1/1995	Fladung	
5,575,668 A	11/1996	Timmerman	
5,658,152 A	8/1997	Selker	
5,899,761 A	5/1999	Crane et al.	
5,963,414 A *	10/1999	Bird	361/119
6,004,138 A	12/1999	Harbertson	

6,135,820 A	10/2000	Chiang	
6,179,665 B1	1/2001	Rossmann et al.	
D439,562 S *	3/2001	Veino et al.	D13/139.8
6,229,584 B1	5/2001	Chuo et al.	
D444,126 S *	6/2001	Chura et al.	D13/139.8
D446,503 S *	8/2001	Lee	D13/139.8
6,290,517 B1	9/2001	Anderson	
6,290,518 B1	9/2001	Byrne	
D450,656 S *	11/2001	Stekelenburg	D13/139.4
6,315,604 B1	11/2001	Lee	
D452,215 S *	12/2001	Stekelenburg	D13/139.4

(Continued)

*Primary Examiner*—Alan P. Douglas  
*Assistant Examiner*—Rosemary K. Tarcza

(57) **CLAIM**

We claim the ornamental design for a utility connection station, as shown and described.

**DESCRIPTION**

FIG. 1 is a front perspective view of the claimed design according to an exemplary embodiment;

FIG. 2 is a top view of the claimed design of FIG. 1;

FIG. 3 is a bottom view of the claimed design of FIG. 1;

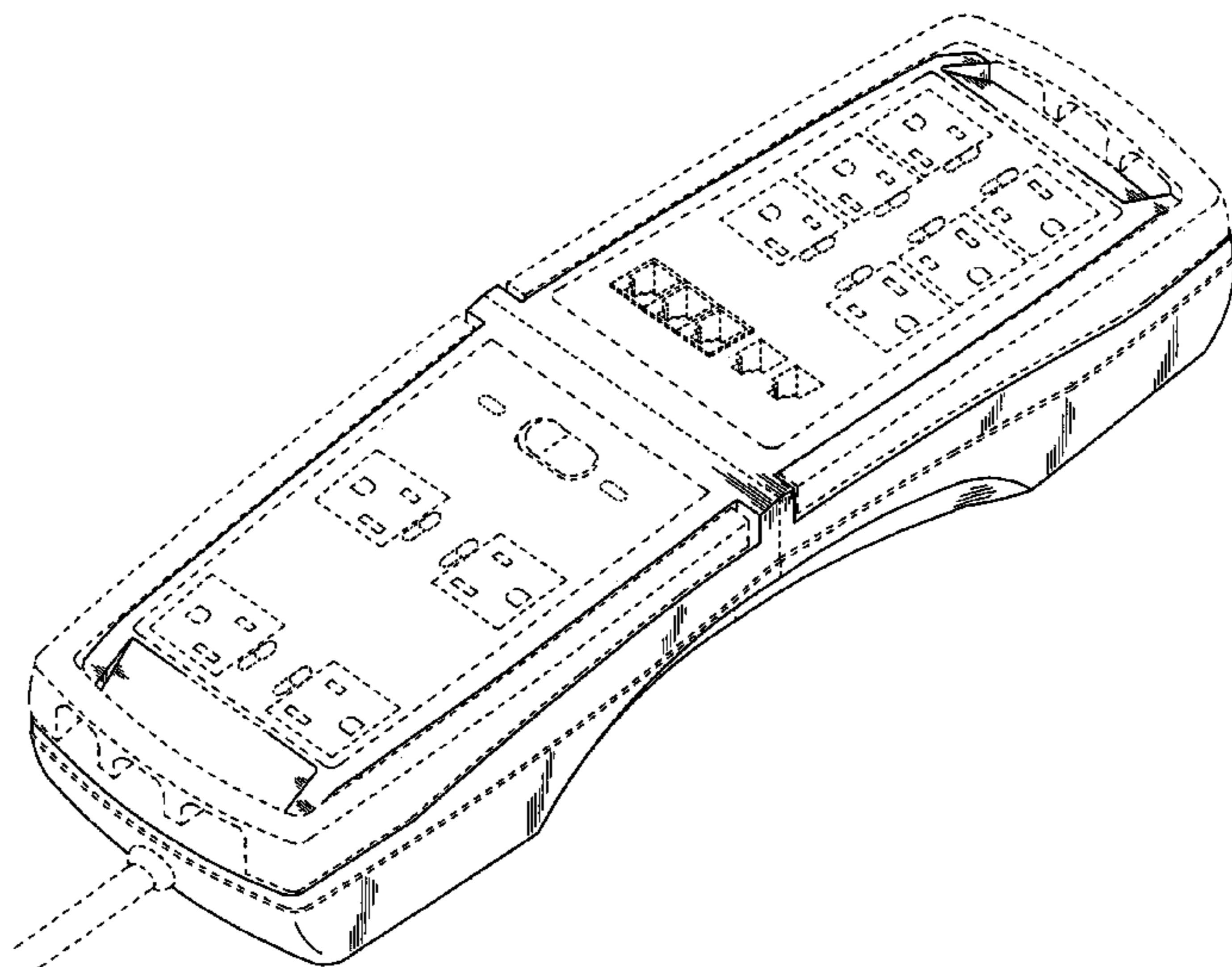
FIG. 4 is a front elevation view of the claimed design of FIG. 1;

FIG. 5 is a right side elevation view of the claimed design of FIG. 1; and,

FIG. 6 is a left side elevation view of the claimed design of FIG. 1.

The ornamental design which is claimed is shown in solid lines in the drawings. The broken lines in the drawings are for illustrative purposes only and form no part of the claimed design.

**1 Claim, 5 Drawing Sheets**



# US D546,286 S

Page 2

---

## U.S. PATENT DOCUMENTS

D458,225 S *	6/2002	Stekelenburg .....	D13/139.8	6,603,656 B2	8/2003	Cho et al.	
D458,590 S *	6/2002	Wilson et al. ....	D13/139.8	D484,098 S *	12/2003	Lee .....	D13/139.8
6,443,746 B1	9/2002	Yu		D484,099 S *	12/2003	Bettencourt .....	D13/139.8
6,443,772 B1	9/2002	Chen		6,748,707 B1	6/2004	Buchalter et al.	
6,478,587 B2	11/2002	Sharples		6,854,989 B2	2/2005	Milan	
6,483,028 B2	11/2002	DeBartolo, Jr. et al.		6,872,086 B2	3/2005	Milan	
6,492,591 B1	12/2002	Metcalf		D506,441 S *	6/2005	Lichtscheidl et al. ...	D13/139.1
6,568,946 B1	5/2003	Chou		6,940,015 B2 *	9/2005	Fang .....	174/53
6,593,528 B2	7/2003	Franklin-Lees et al.		D521,458 S *	5/2006	Wojciechowski et al. ..	D13/164

\* cited by examiner

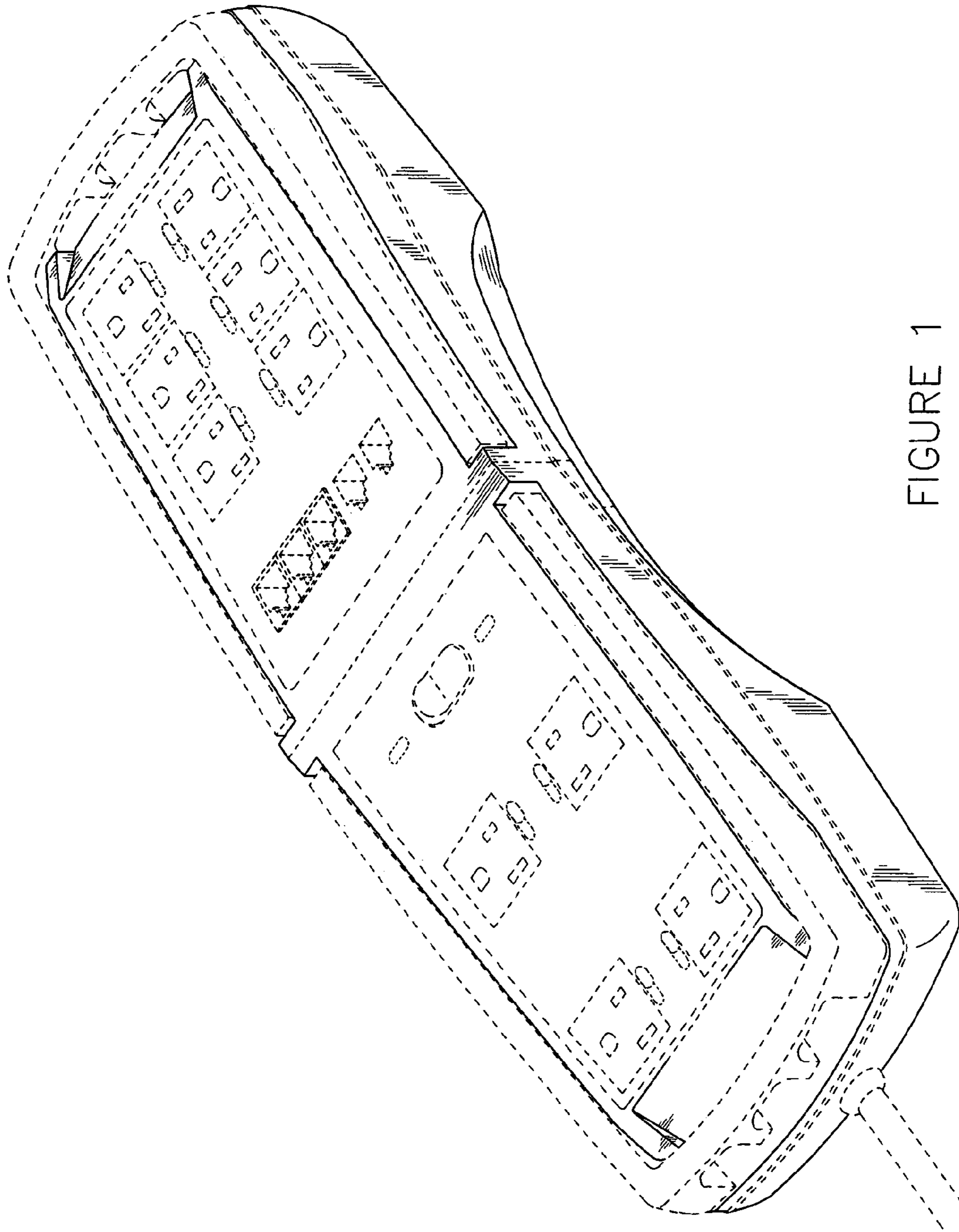


FIGURE 1

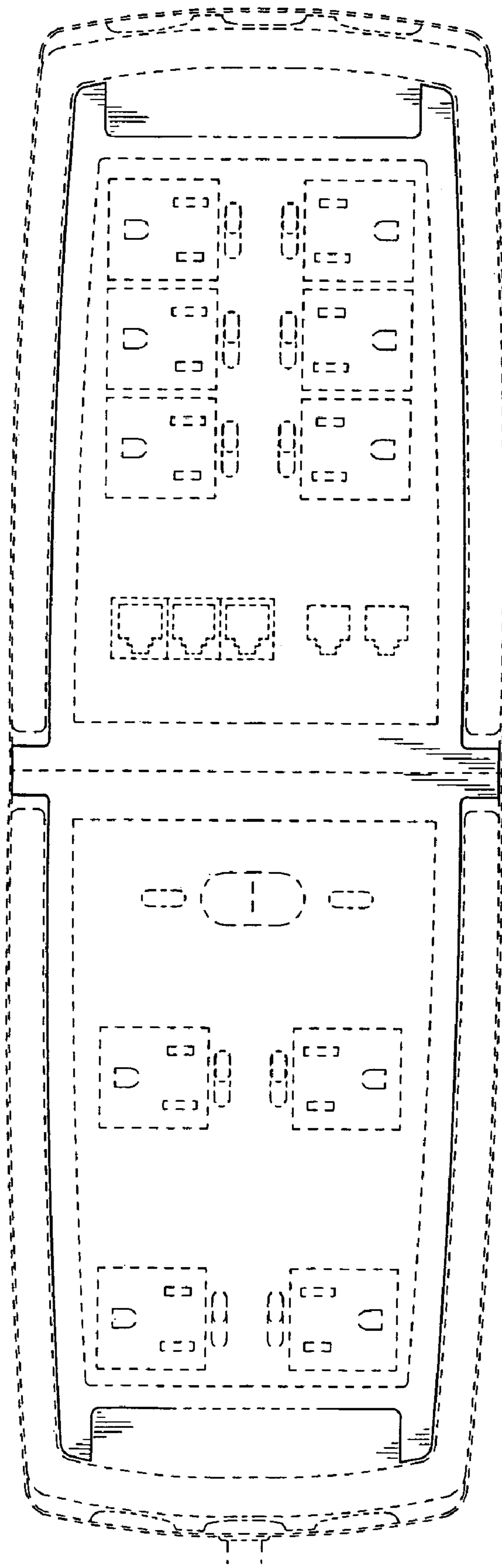


FIGURE 2

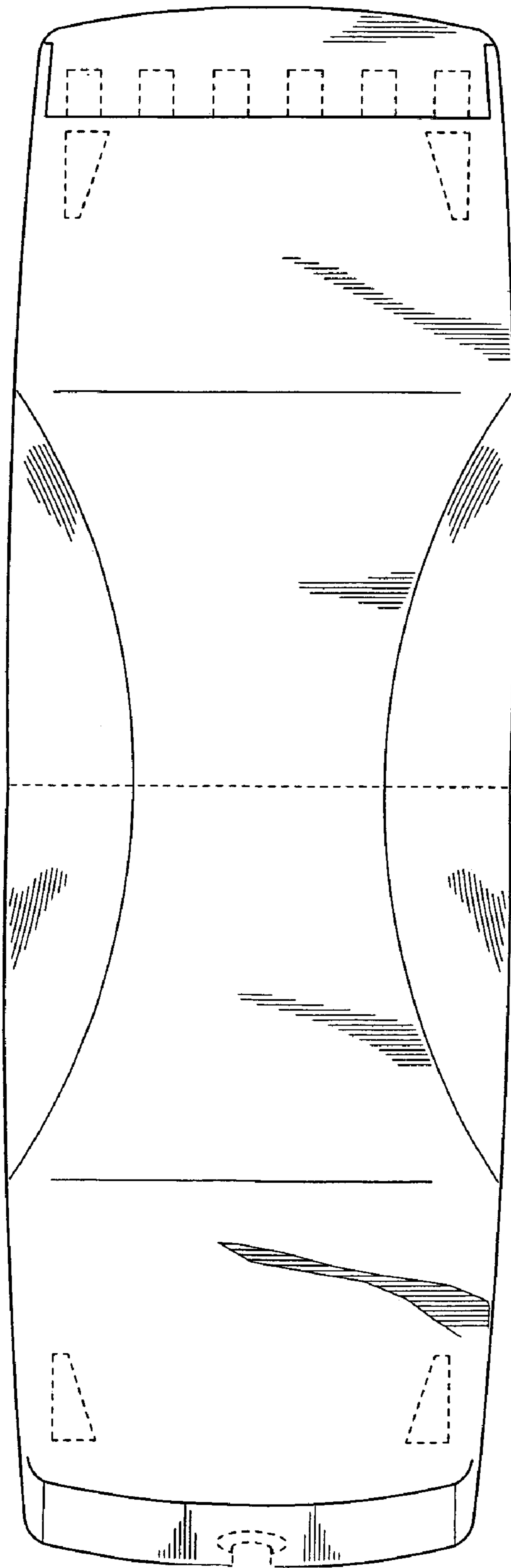


FIGURE 3



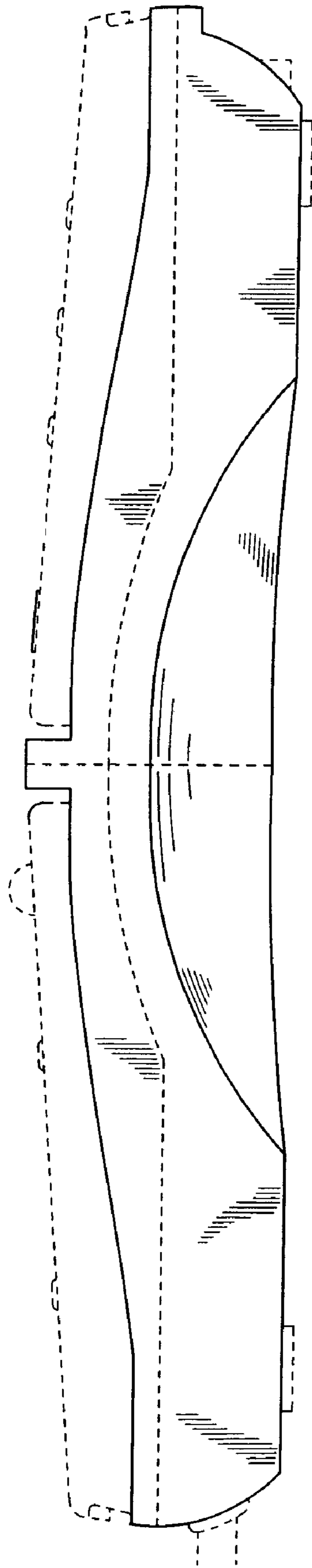


FIGURE 4

FIGURE 5

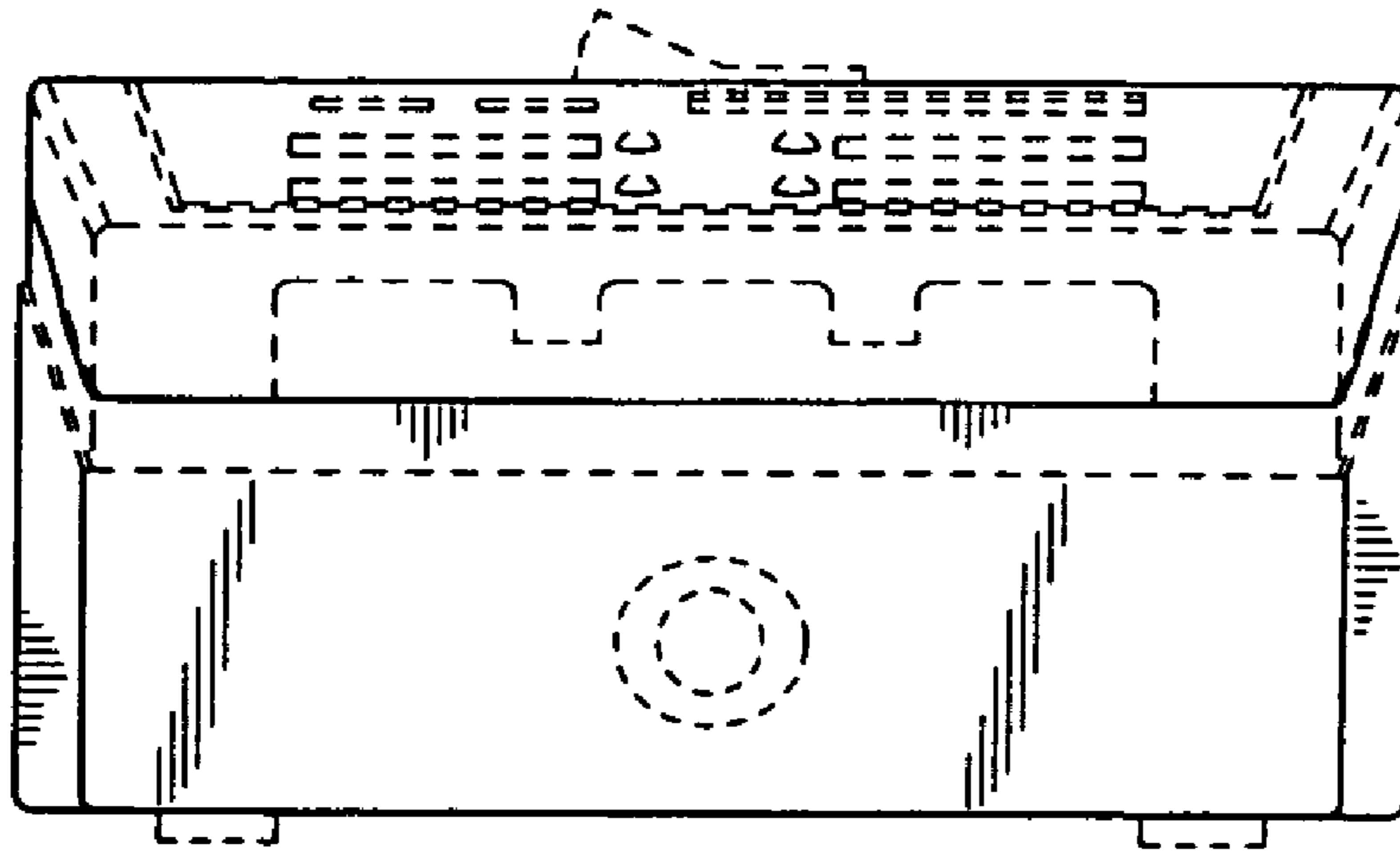


FIGURE 6

