



US00D546283S

(12) **United States Design Patent**
Cho

(10) **Patent No.:** **US D546,283 S**

(45) **Date of Patent:** **** Jul. 10, 2007**

(54) **LINER POWER SUPPLY**

D454,537 S * 3/2002 O'Connor et al. D13/110
D482,653 S * 11/2003 Cho D13/110

(75) Inventor: **Albert Cho**, Taipei (TW)

* cited by examiner

(73) Assignee: **Jui-Kai Tseng**, Taipei (TW)

Primary Examiner—Stella Reid

Assistant Examiner—Derrick Holland

(**) Term: **14 Years**

(74) *Attorney, Agent, or Firm*—Birch, Stewart, Kolasch & Birch, LLP

(21) Appl. No.: **29/239,449**

(22) Filed: **Sep. 30, 2005**

(57) **CLAIM**

(51) **LOC (8) Cl.** **13-02**

The ornamental design for a “liner power supply,” as shown and described.

(52) **U.S. Cl.** **D13/110**

(58) **Field of Classification Search** D13/110,
D13/101, 107, 123, 138.1, 199; 307/150;
320/111; 363/146

See application file for complete search history.

DESCRIPTION

(56) **References Cited**

U.S. PATENT DOCUMENTS

D338,188 S * 8/1993 Lee et al. D13/110
D350,113 S * 8/1994 Nagele D13/110
5,923,147 A * 7/1999 Martensson 320/111
5,998,964 A * 12/1999 Martensson 320/111
D430,848 S * 9/2000 Davi et al. D13/138.1
D432,497 S * 10/2000 Totsuka et al. D13/110

FIG. 1 is a perspective view of a “liner power supply” showing my new design thereof;

FIG. 2 is a right side elevational view thereof;

FIG. 3 is a top plan view thereof;

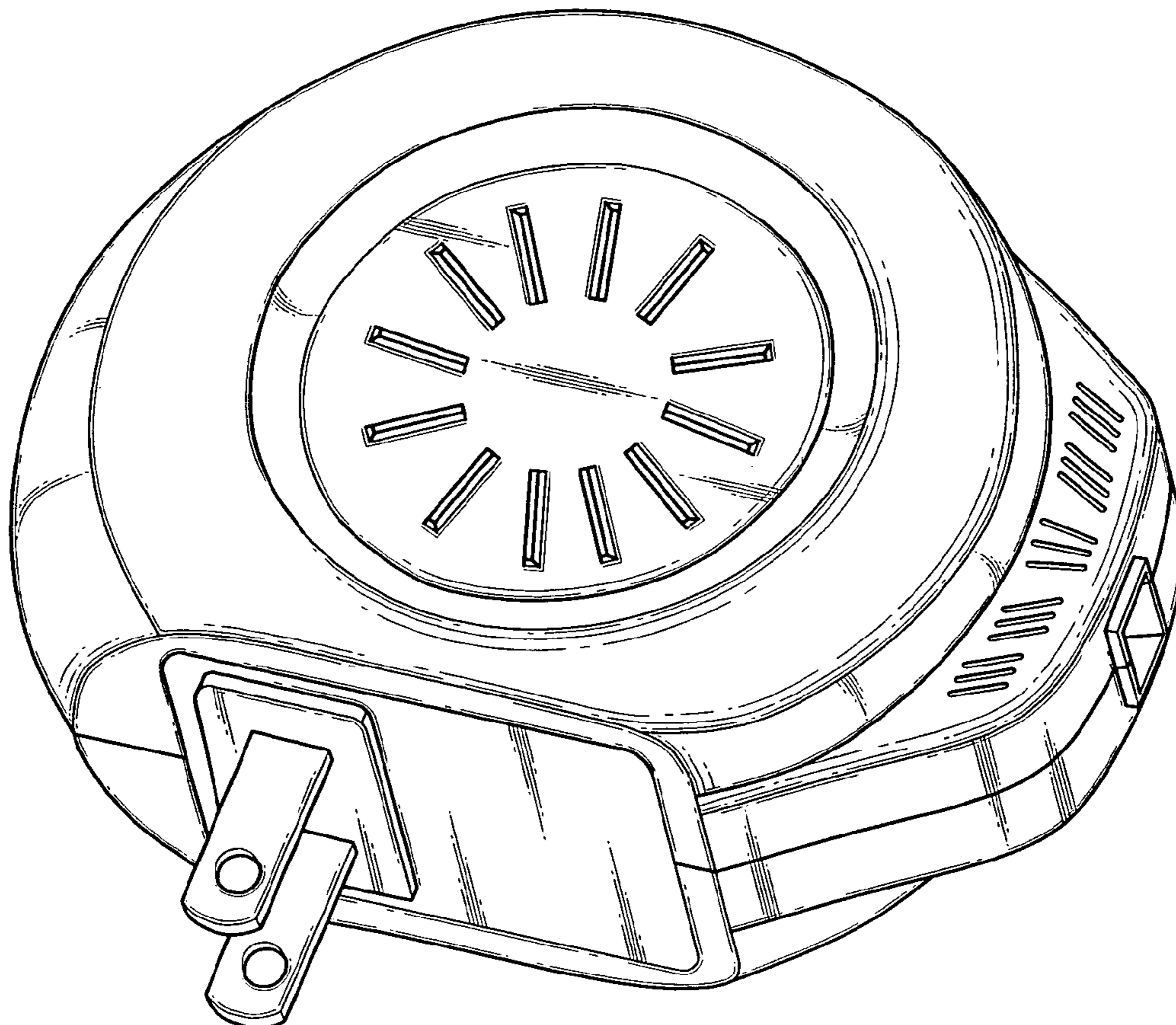
FIG. 4 is a front side elevational view thereof;

FIG. 5 is a bottom plan view thereof;

FIG. 6 is a left side elevational view thereof; and,

FIG. 7 is a rear side elevational view thereof.

1 Claim, 7 Drawing Sheets



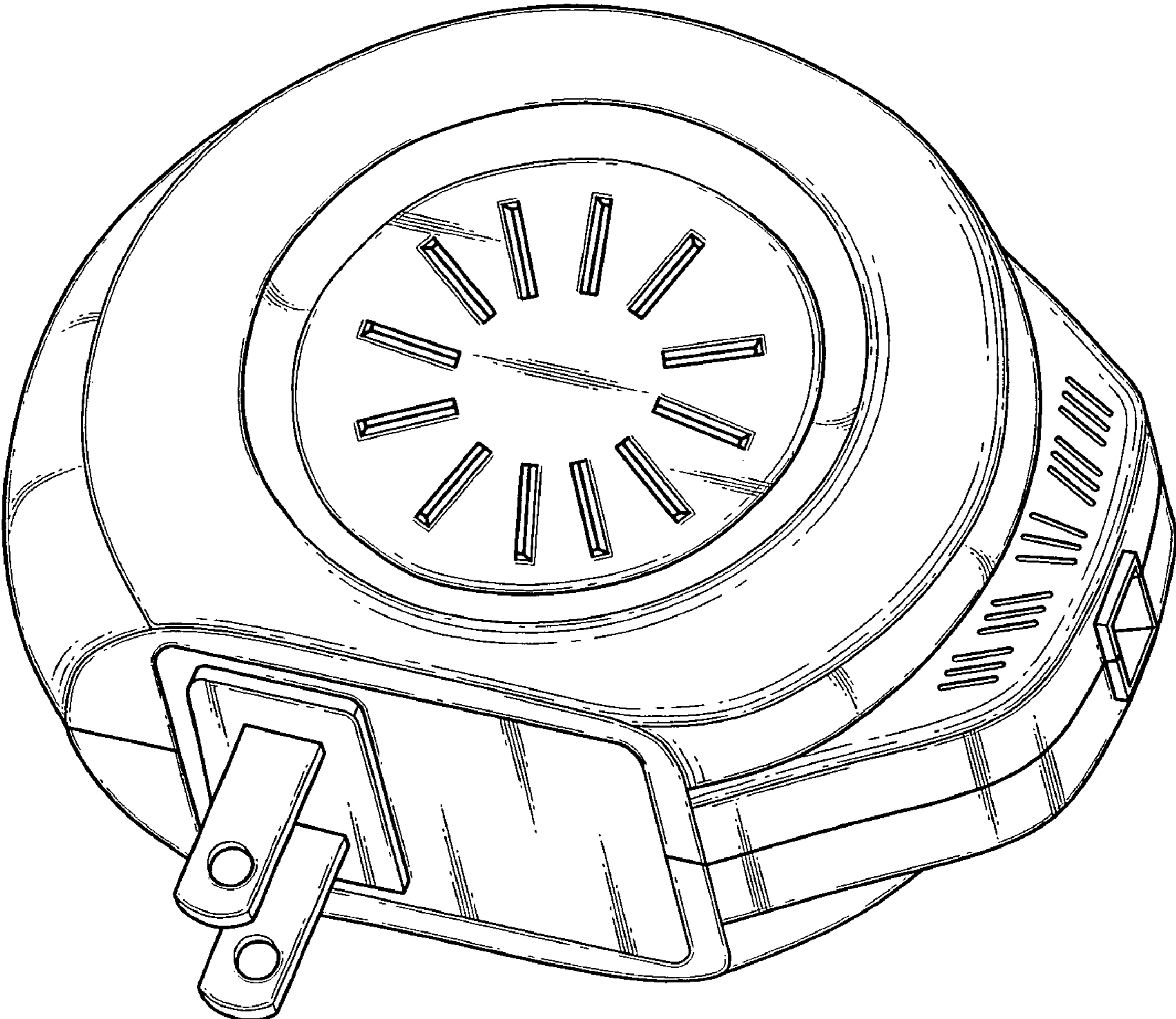


Fig. 1

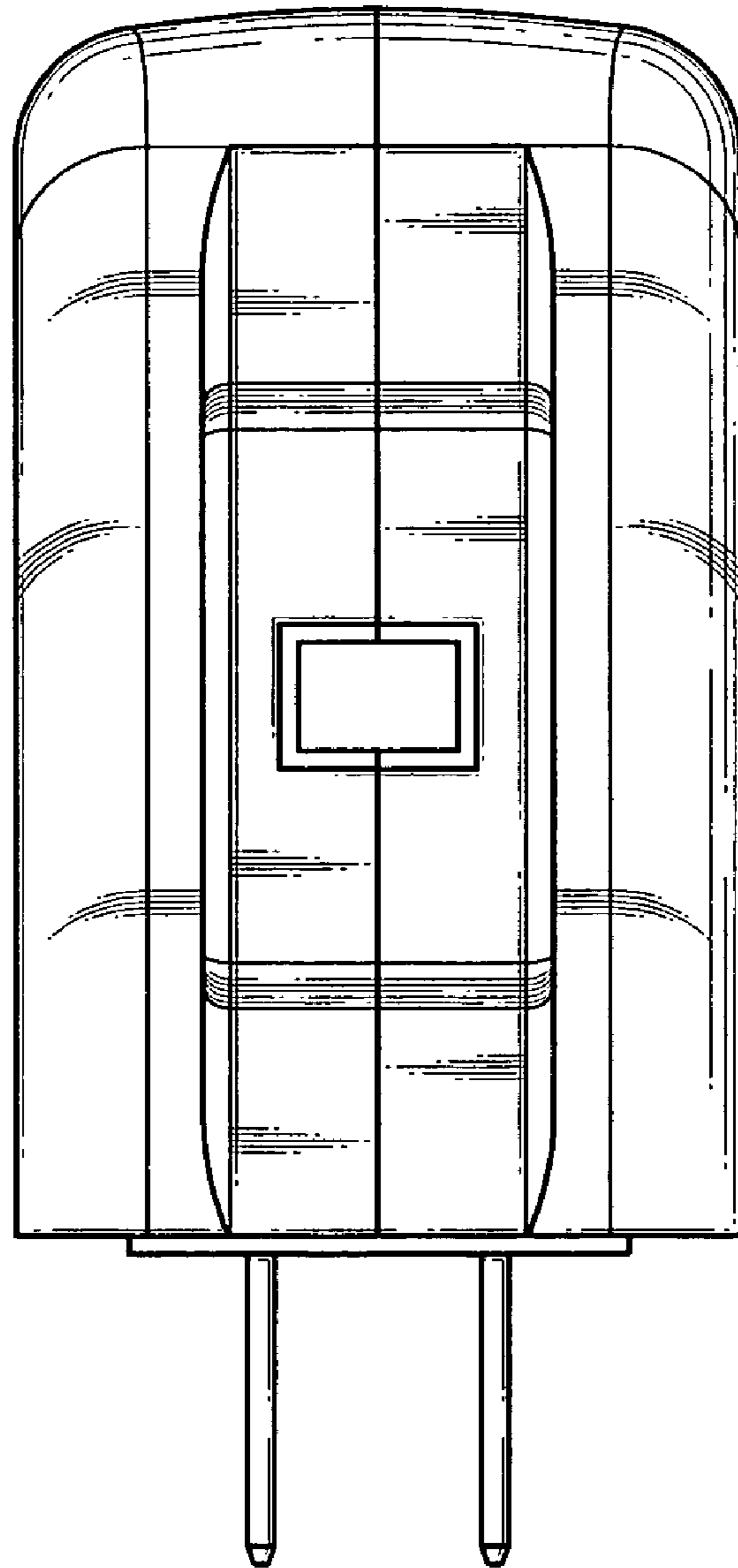


Fig. 2

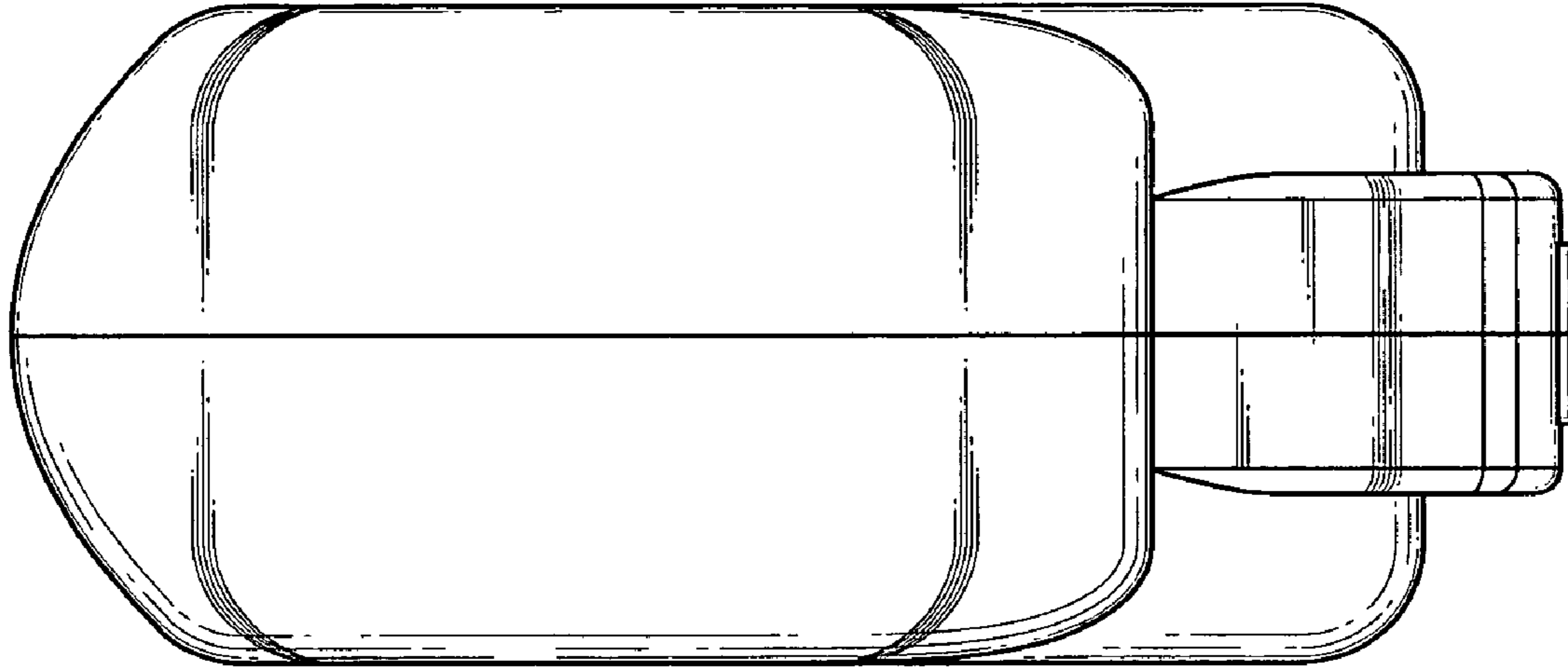


Fig. 3

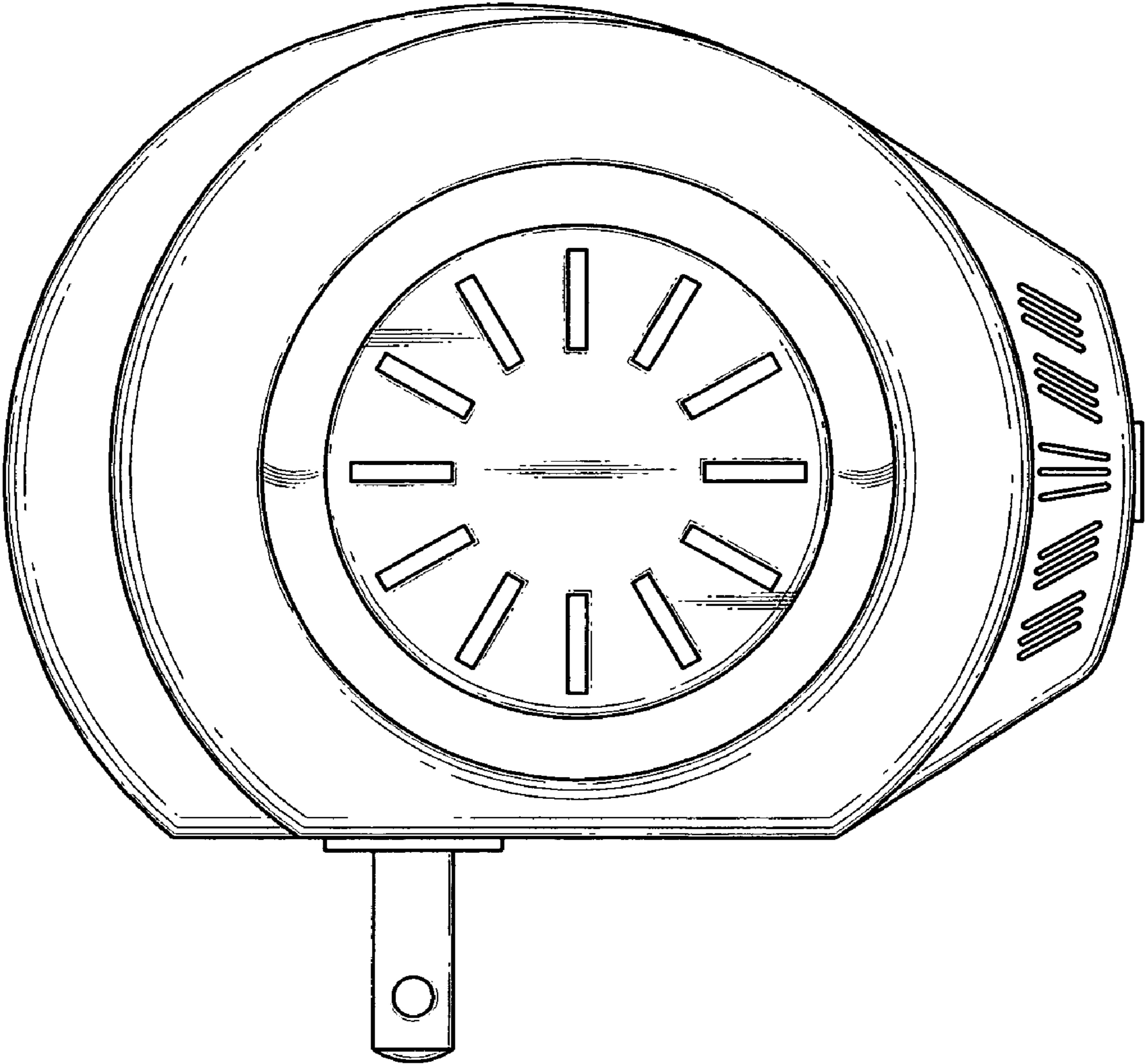


Fig. 4

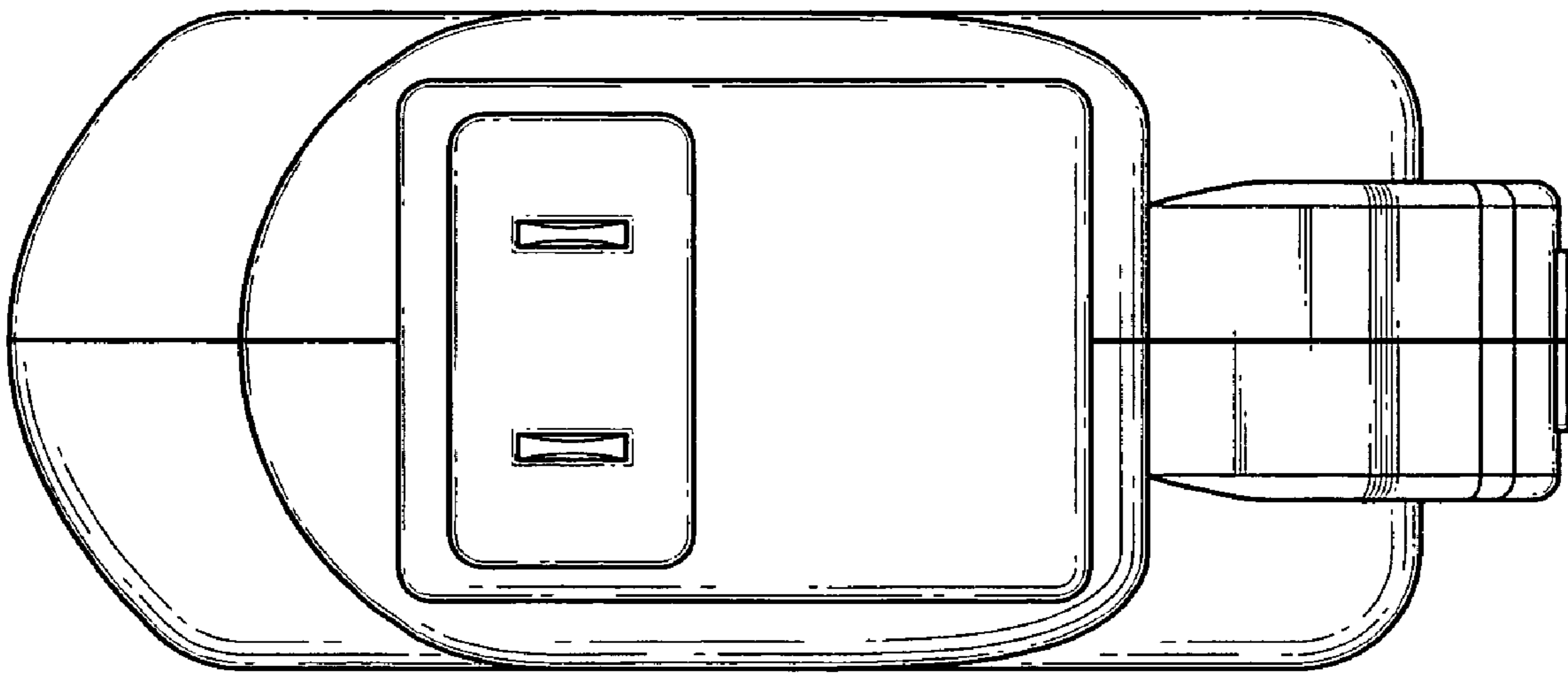


Fig. 5

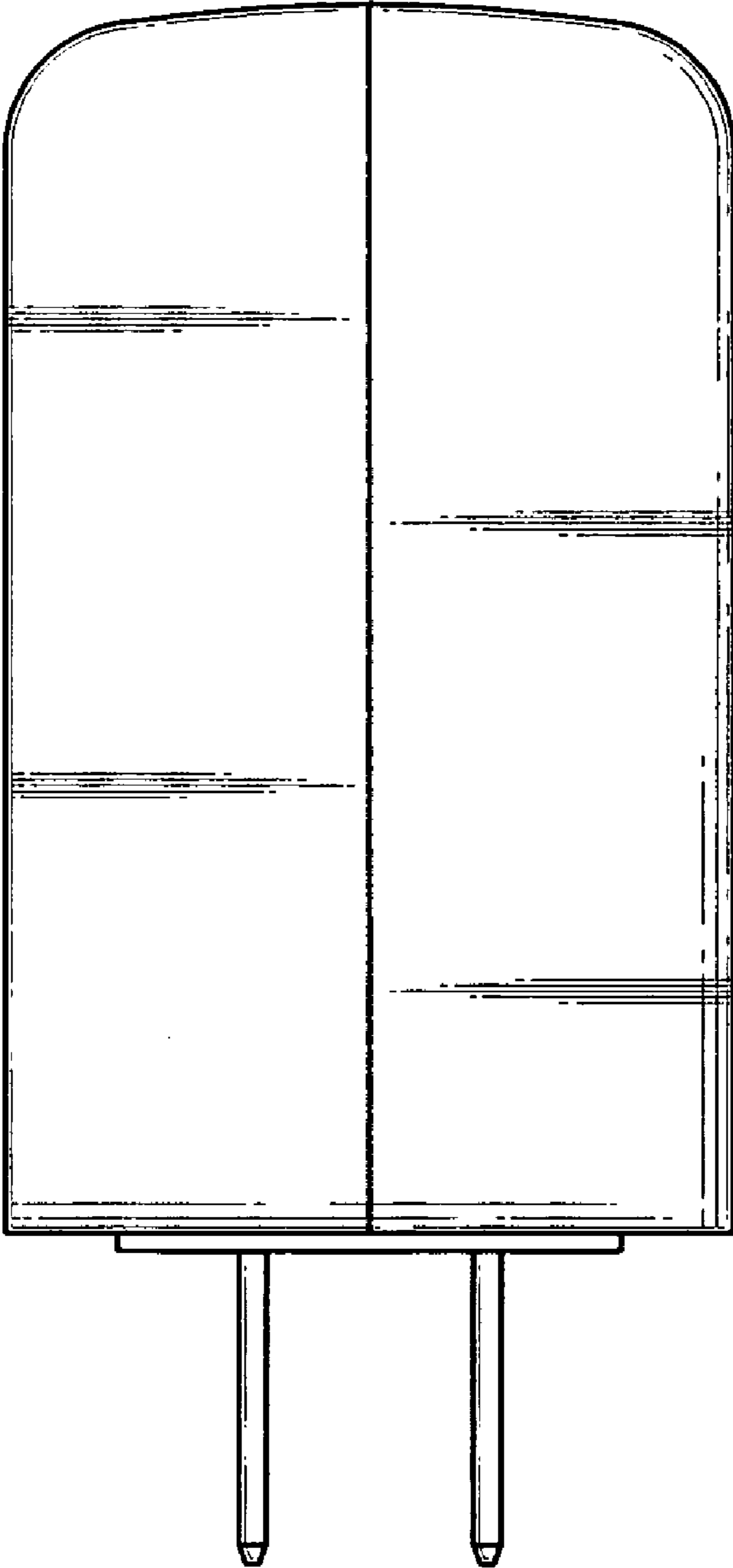


Fig. 6

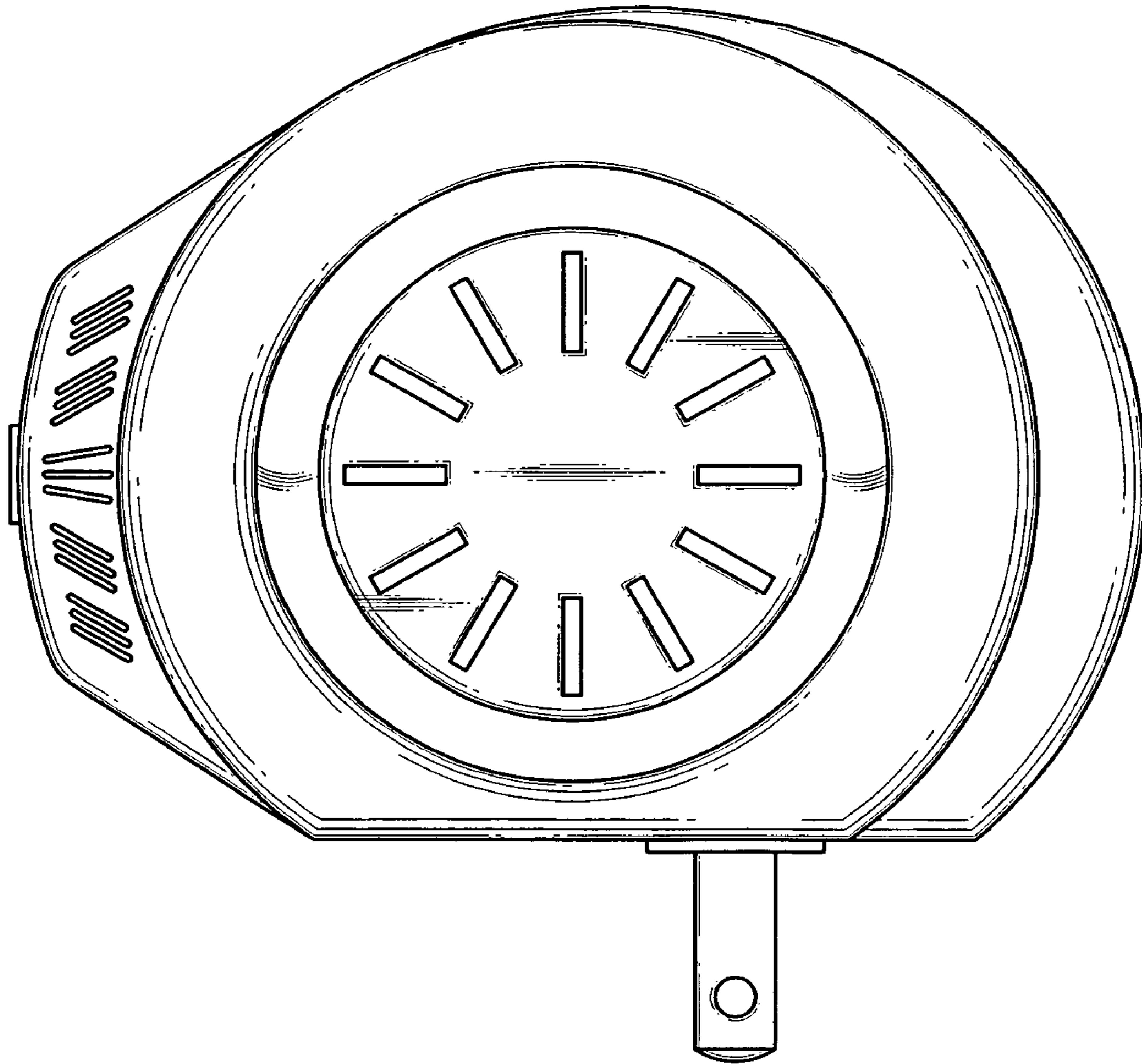


Fig. 7