

US00D546282S

(12) **United States Design Patent**  
**Wardenburg**

(10) **Patent No.:** **US D546,282 S**

(45) **Date of Patent:** **\*\* Jul. 10, 2007**

(54) **BALLAST BOX CONTAINER**

D456,938 S \* 5/2002 Wardenburg ..... D26/118

(75) Inventor: **Peter Wardenburg**, Petaluma, CA (US)

\* cited by examiner

(73) Assignee: **Hydrofarm, Inc.**, Petaluma, CA (US)

*Primary Examiner*—Prabhakar Deshmukh

*Assistant Examiner*—Derrick Holland

(\*\*) Term: **14 Years**

(74) *Attorney, Agent, or Firm*—Craig M. Stainbrook;  
Stainbrook & Stainbrook, LLP

(21) Appl. No.: **29/226,867**

(22) Filed: **Apr. 1, 2005**

(57) **CLAIM**

(51) **LOC (8) Cl.** ..... **13-02**

The ornamental design for a ballast box container, as shown and described.

(52) **U.S. Cl.** ..... **D13/110**

(58) **Field of Classification Search** ..... D13/110,  
D13/101, 122, 184, 199; D26/118; D34/1;  
174/50; 220/675; 336/90; 362/290, 368  
See application file for complete search history.

**DESCRIPTION**

FIG. 1 is an upper right front perspective view of a ballast box container showing my new design.

FIG. 2 is a front orthographic view.

FIG. 3 is a rear orthographic view.

FIG. 4 is a left orthographic view.

FIG. 5 is top orthographic view; and,

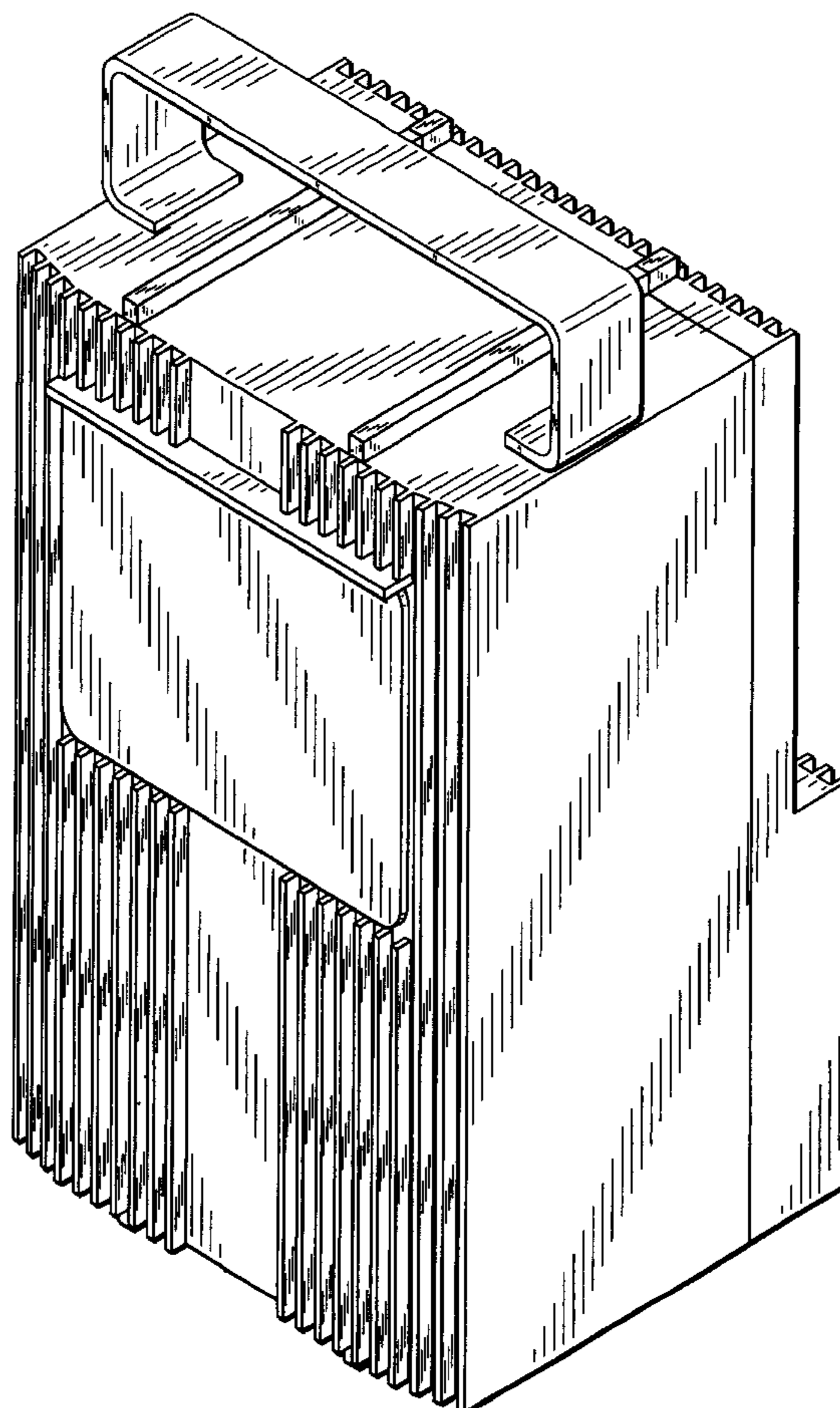
FIG. 6 is a bottom orthographic view.

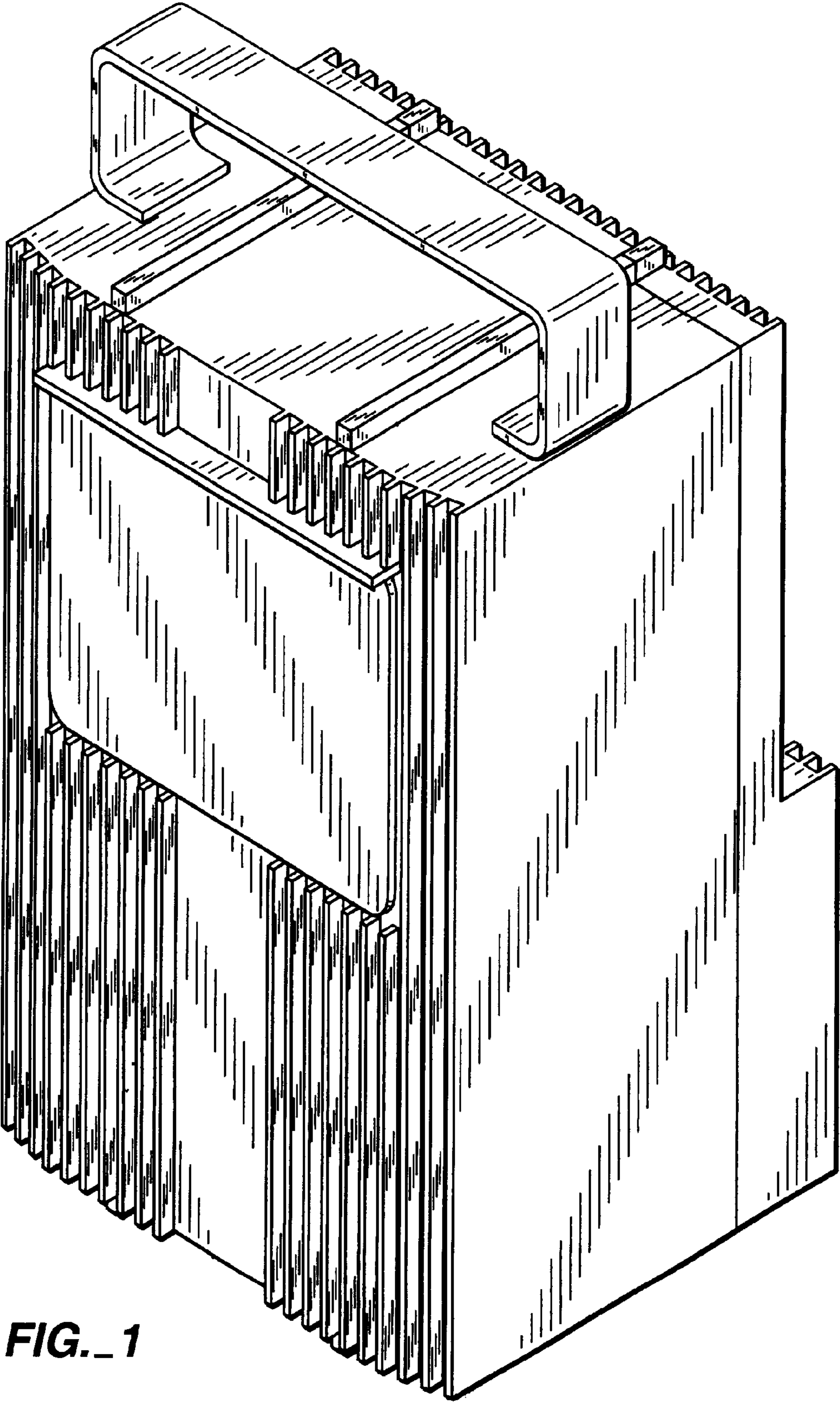
(56) **References Cited**

**U.S. PATENT DOCUMENTS**

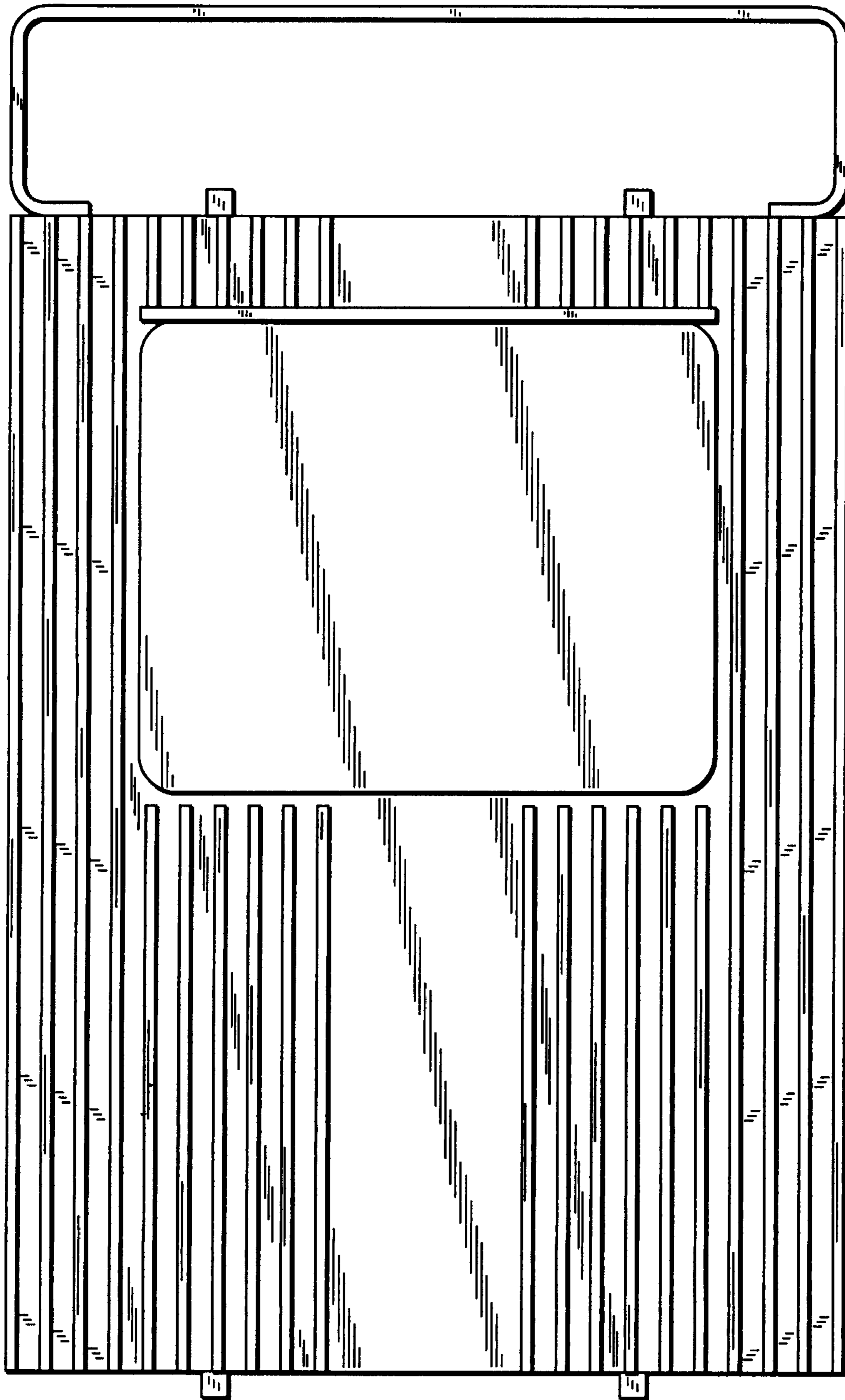
D332,678 S *	1/1993	Barclay et al.	.....	D34/1
D370,106 S *	5/1996	Ellis	.....	D34/1
D387,333 S *	12/1997	Pellow et al.	.....	D13/184
6,135,324 A *	10/2000	Schmitt	.....	222/143
6,290,375 B1 *	9/2001	LeVasseur	.....	362/368

**1 Claim, 6 Drawing Sheets**

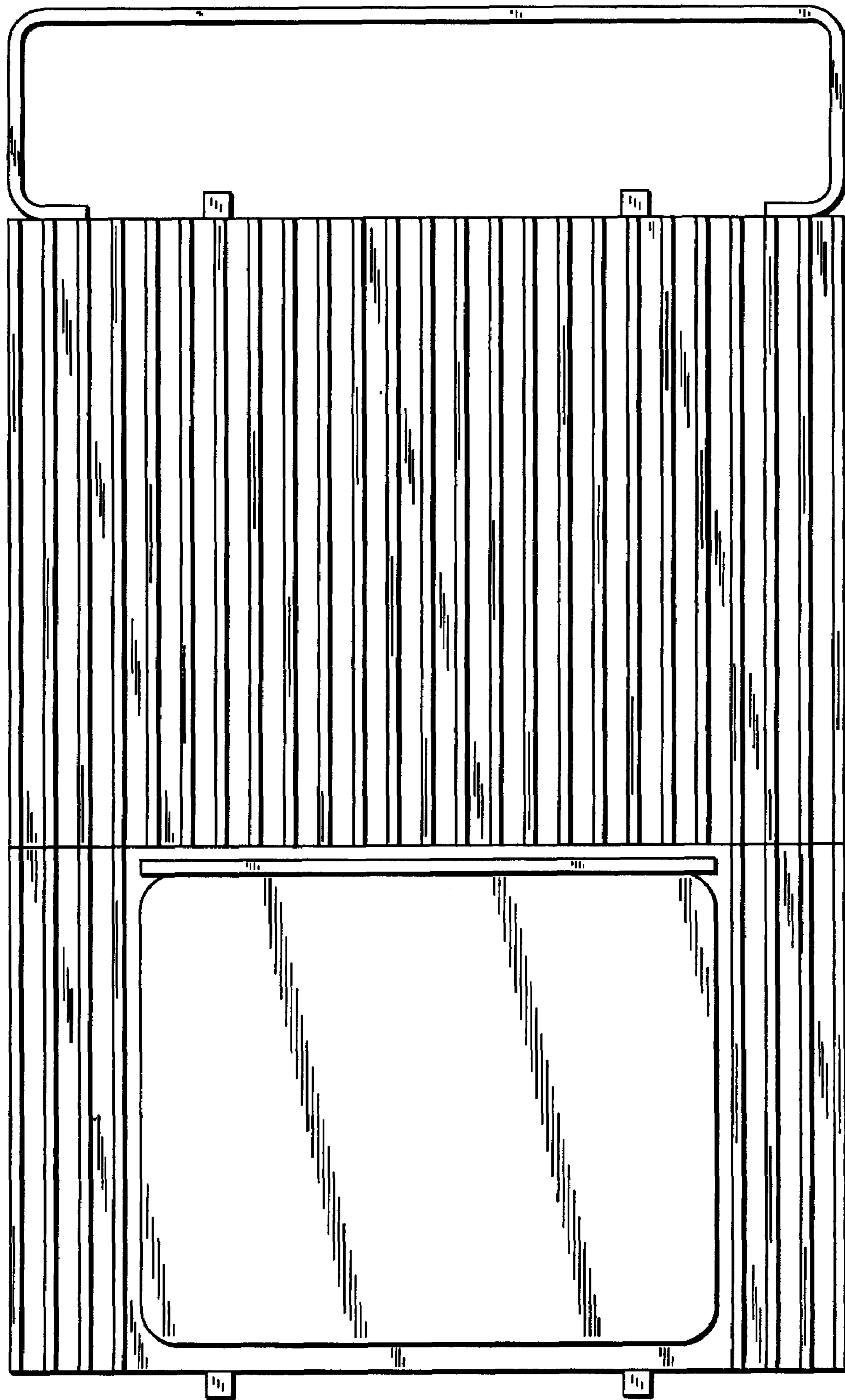




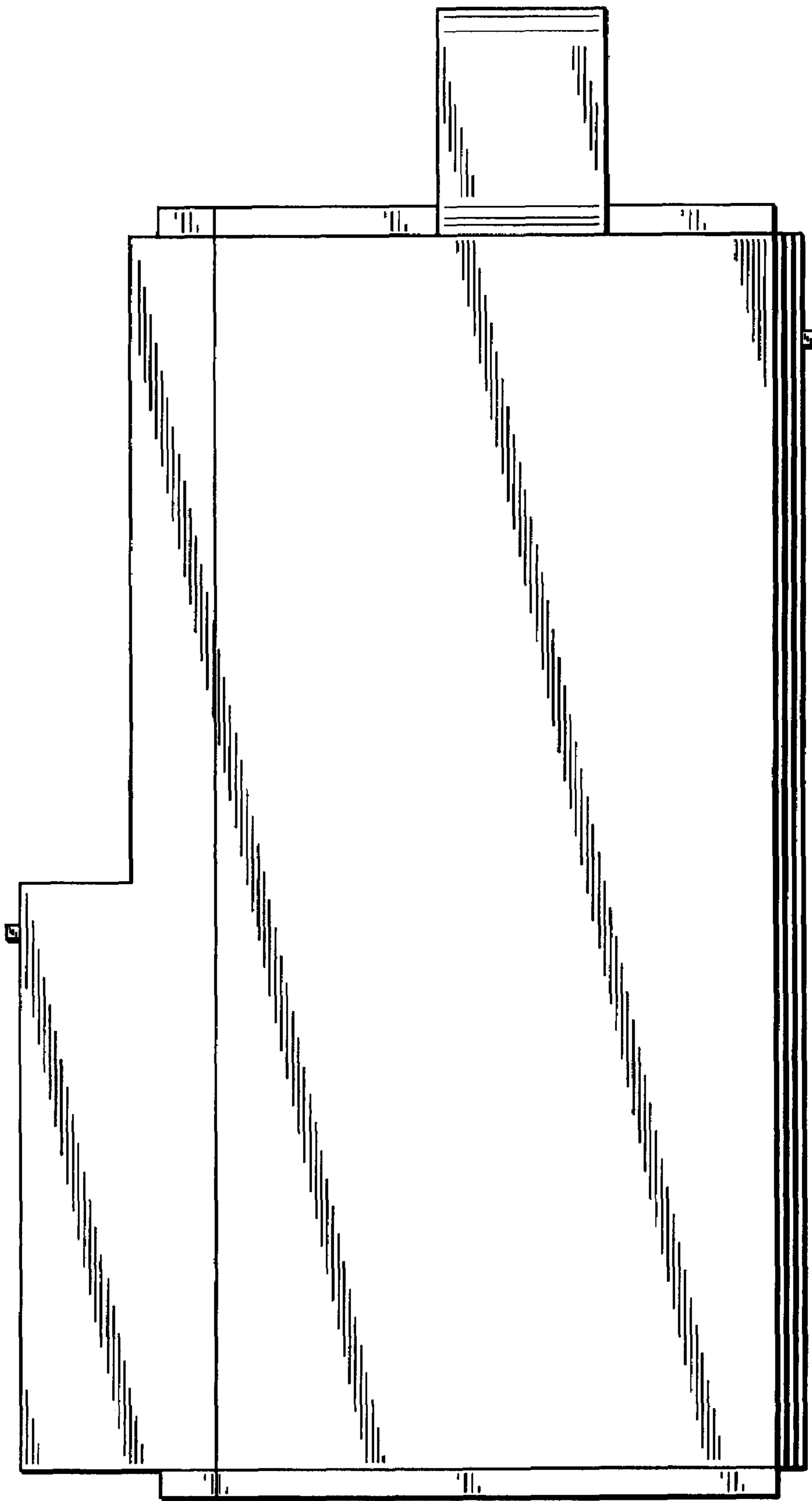
**FIG. 1**



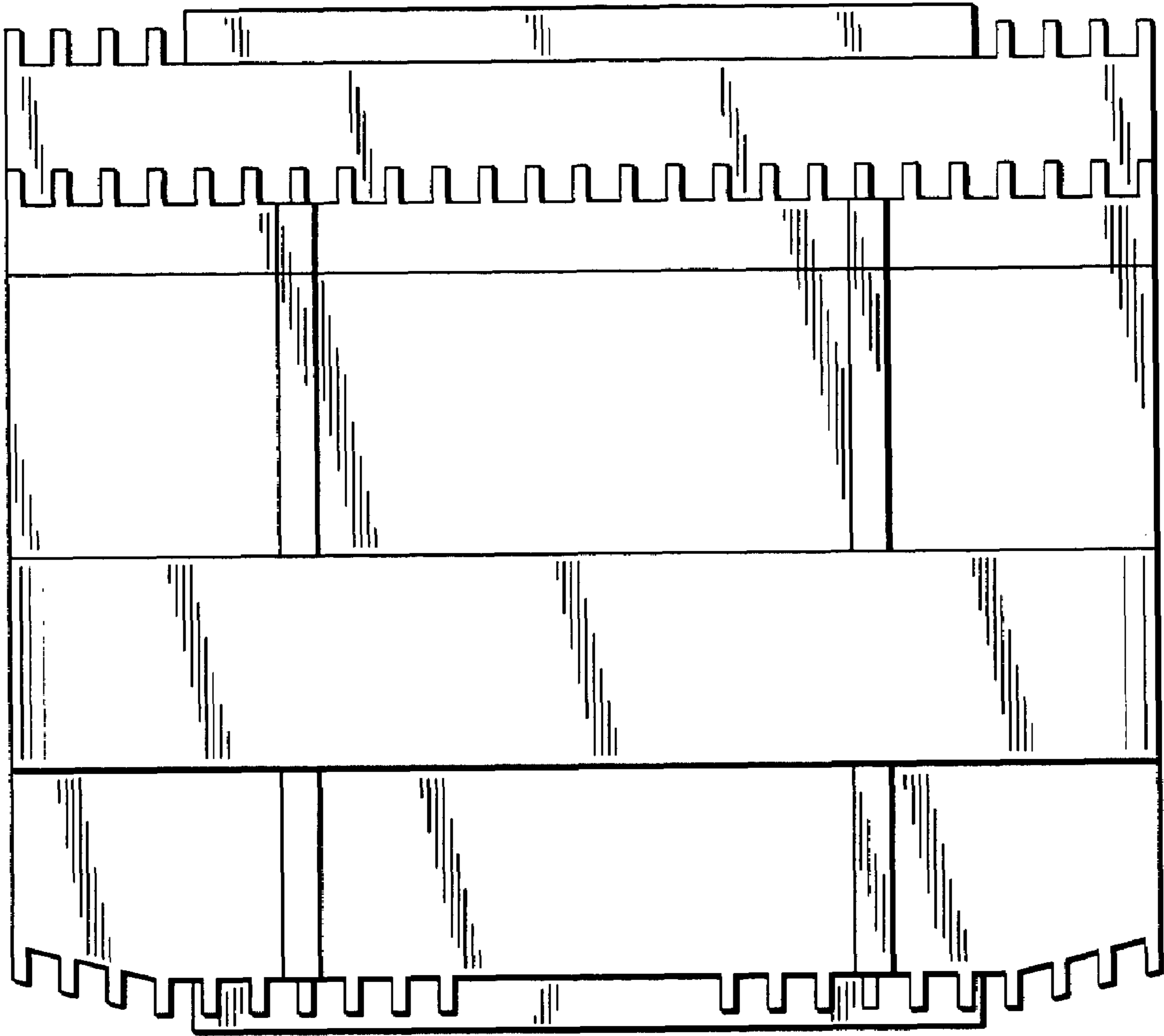
**FIG. 2**



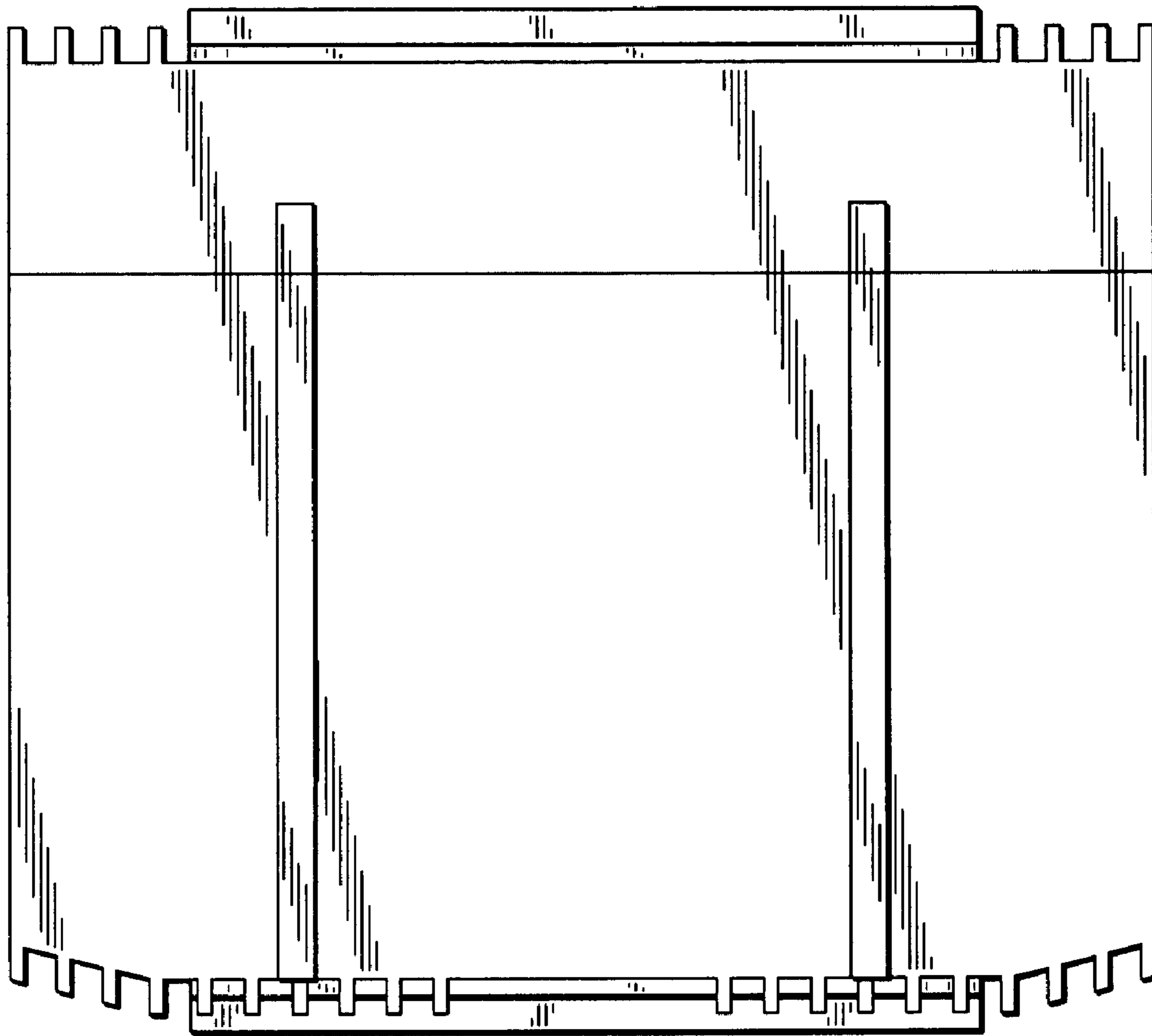
**FIG. 3**



**FIG. 4**



**FIG. 5**



**FIG. 6**