



US00D546281S

(12) **United States Design Patent**
Bell

(10) **Patent No.:** **US D546,281 S**

(45) **Date of Patent:** **** Jul. 10, 2007**

(54) **BATTERY CHARGER**

(75) Inventor: **Nicholas S. D. Bell**, Pasadena, CA (US)

(73) Assignee: **The Gillette Company**, Boston, MA (US)

(**) Term: **14 Years**

(21) Appl. No.: **29/260,943**

(22) Filed: **Jun. 5, 2006**

(51) **LOC (8) Cl.** **13-02**

(52) **U.S. Cl.** **D13/107**

(58) **Field of Classification Search** D13/107-110,
D13/118-119, 184; D14/251, 253, 432,
D14/434; 320/107-115

See application file for complete search history.

(56) **References Cited**

U.S. PATENT DOCUMENTS

D278,702 S *	5/1985	Chiodo et al.	D13/107
D278,703 S *	5/1985	Chiodo et al.	D13/107
D333,120 S *	2/1993	Shimoo et al.	D13/107
D336,281 S *	6/1993	Nakamura et al.	D13/107
D358,363 S *	5/1995	Usami	D13/107
D375,934 S *	11/1996	Rosen et al.	D13/107
D443,856 S *	6/2001	Lehtovaara	D13/107
D454,837 S *	3/2002	Ibuki et al.	D13/107
D478,557 S *	8/2003	Pfeiffer	D13/107
D532,370 S *	11/2006	Shimizu	D13/108
2002/0063550 A1 *	5/2002	Chen et al.	320/110

2004/0108832 A1 *	6/2004	Hsiao	320/107
2004/0130289 A1 *	7/2004	Lam et al.	320/107

* cited by examiner

Primary Examiner—Alan P. Douglas

Assistant Examiner—Rosemary K. Tarcza

(74) *Attorney, Agent, or Firm*—Barry D. Josephs; Thomas G. Krivulka

(57) **CLAIM**

The ornamental design for the battery charger, as shown and described.

DESCRIPTION

FIG. 1 is a perspective view of the battery charger of the invention;

FIG. 2 is a top plan view of FIG. 1;

FIG. 3 is a right side elevation view of FIG. 1; the opposite side being a mirror image;

FIG. 4 is a front end view of FIG. 1;

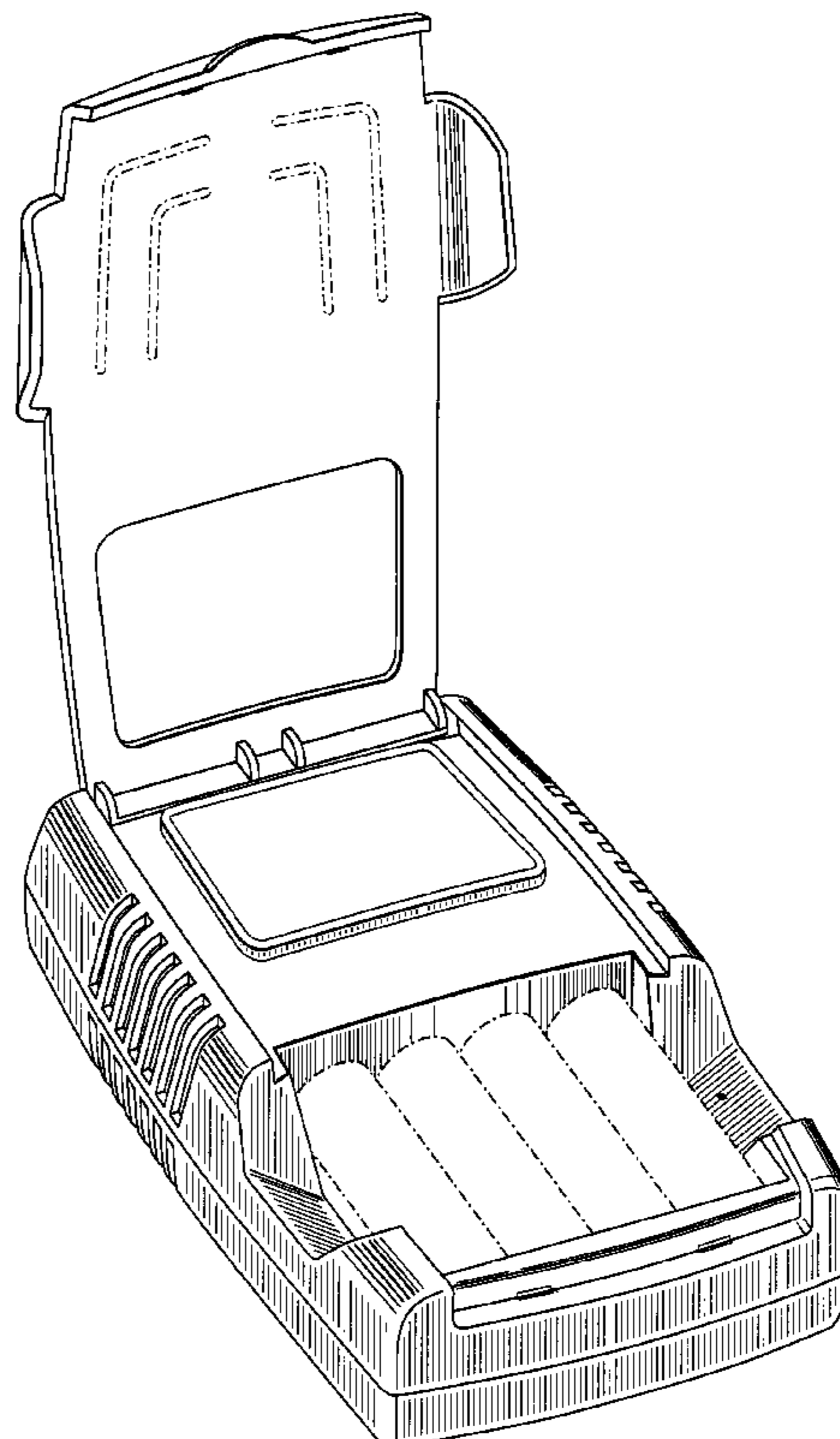
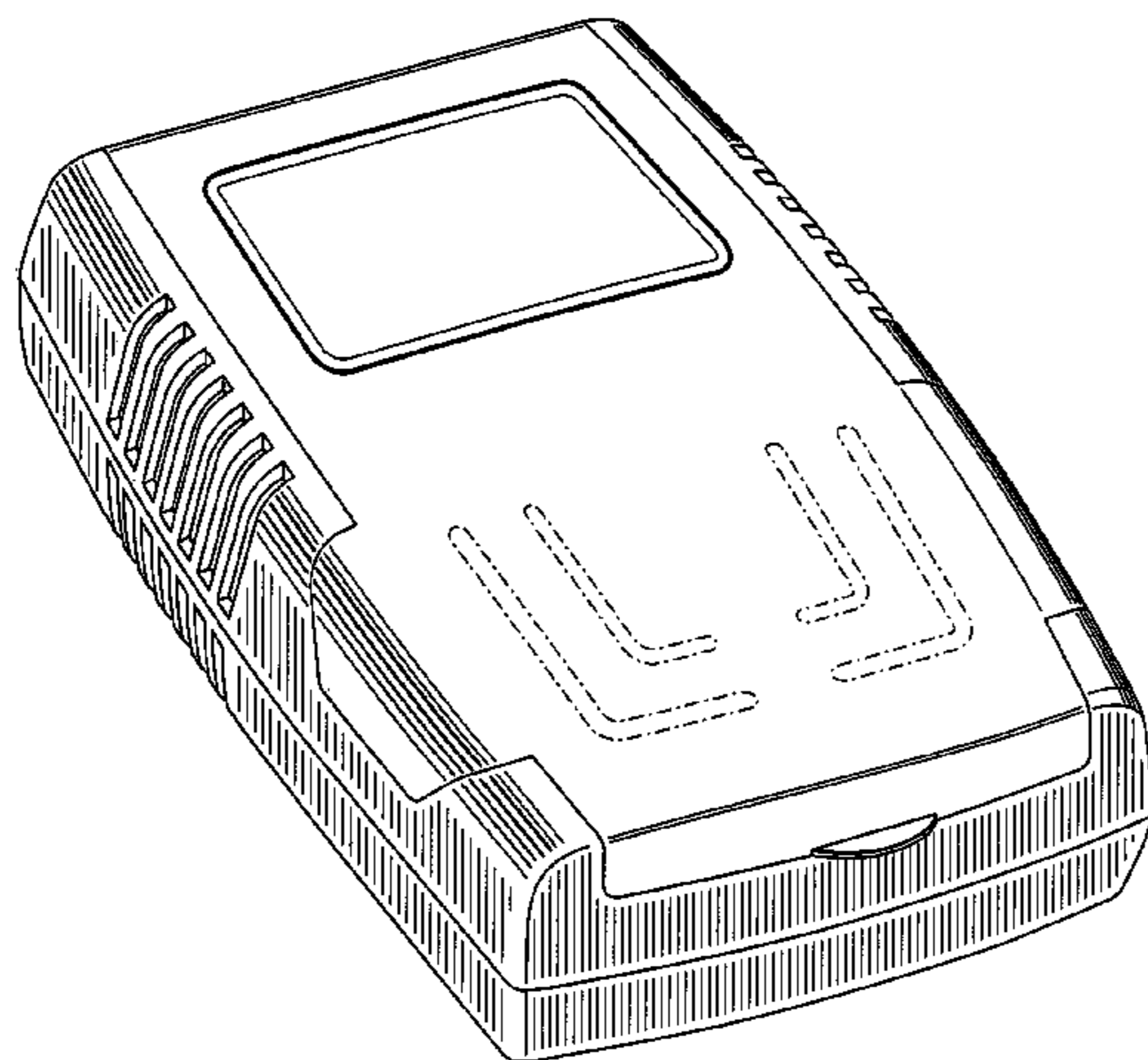
FIG. 5 is a back end view of FIG. 1;

FIG. 6 is a bottom plan view of FIG. 1; and,

FIG. 7 is a perspective view of the battery charger of the invention in open position.

The broken line disclosure of unclaimed environmental structure shown in the drawings is for illustrative purposes only and does not constitute a part of the claimed design.

1 Claim, 6 Drawing Sheets



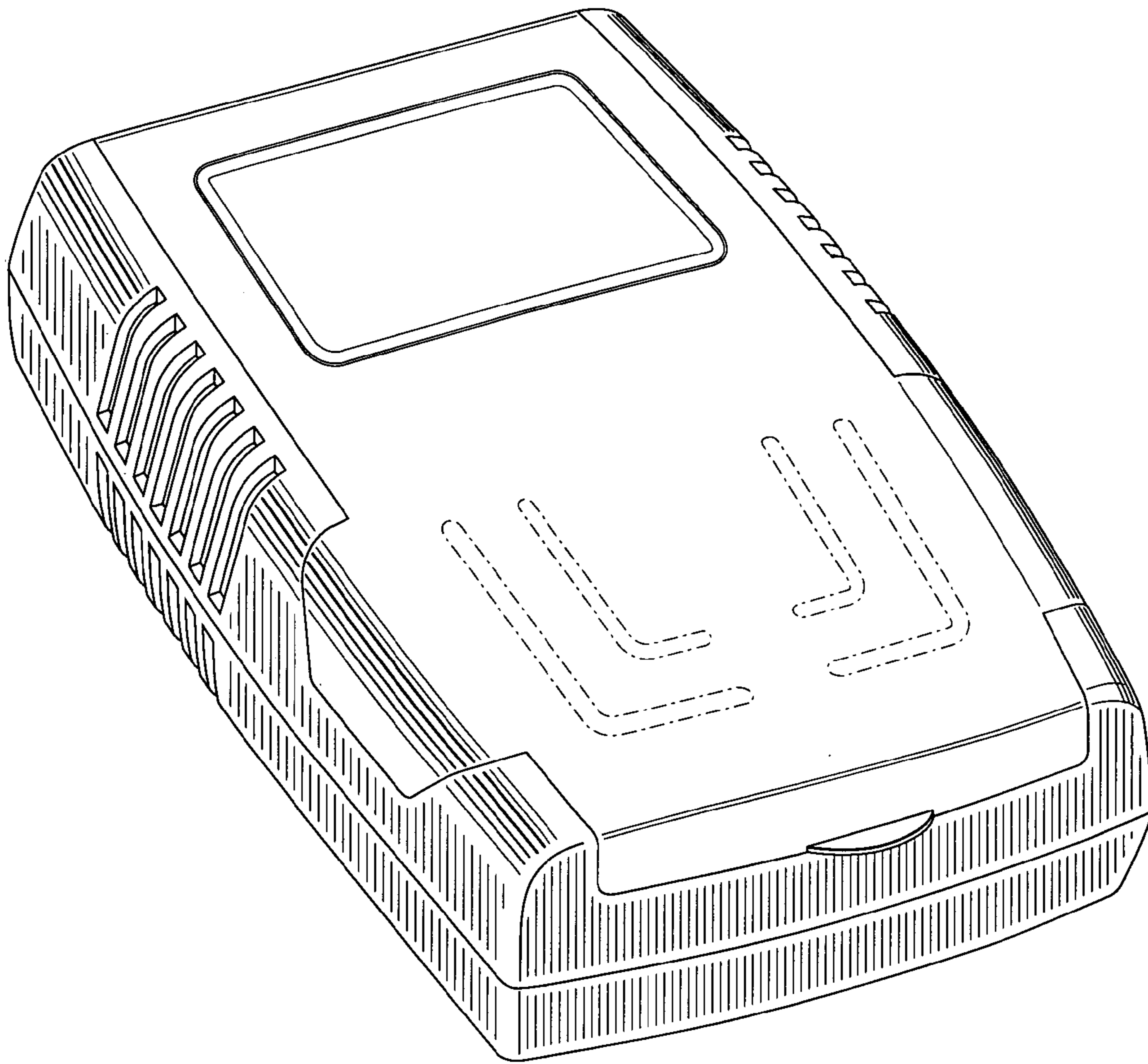


Fig. 1

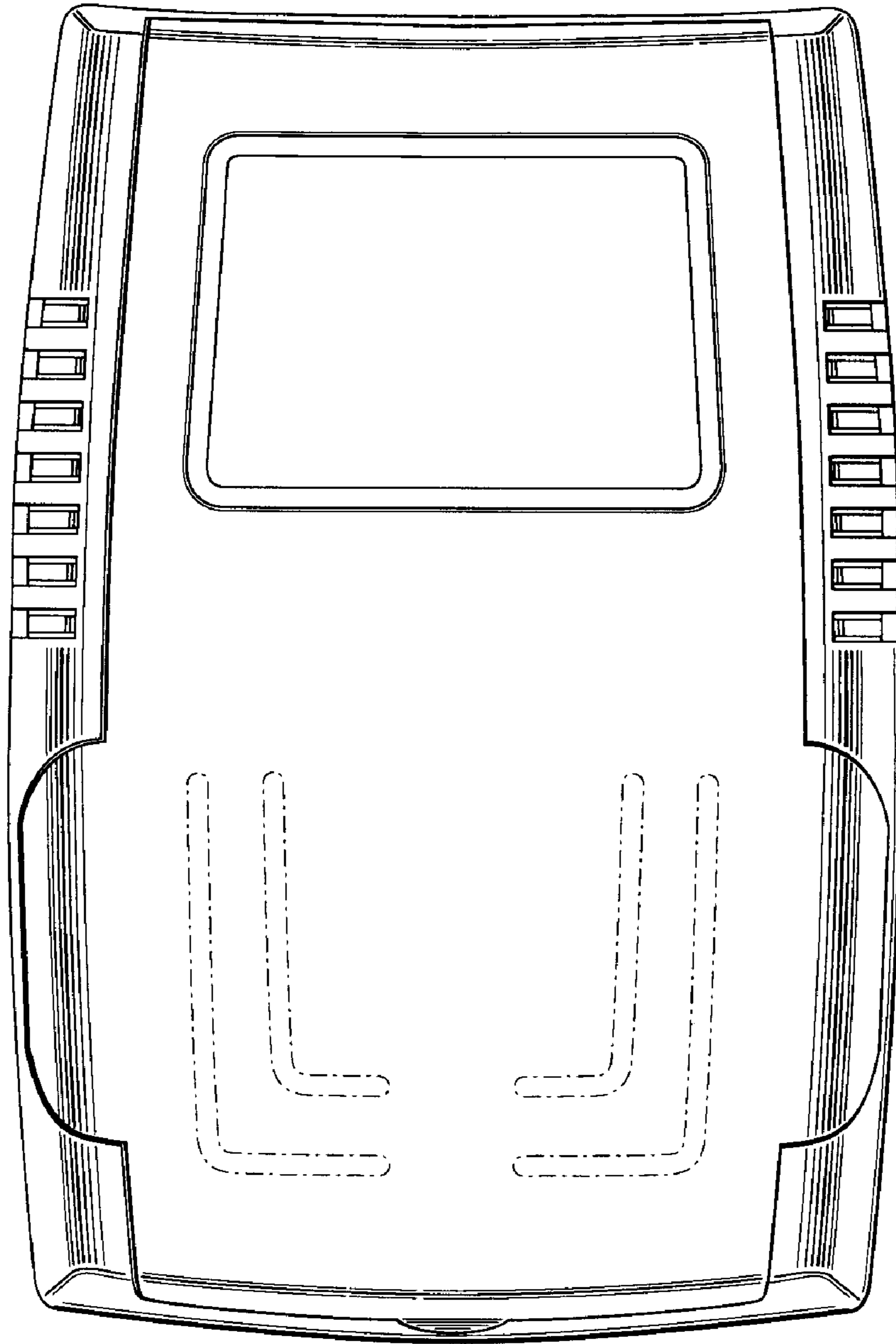


Fig. 2

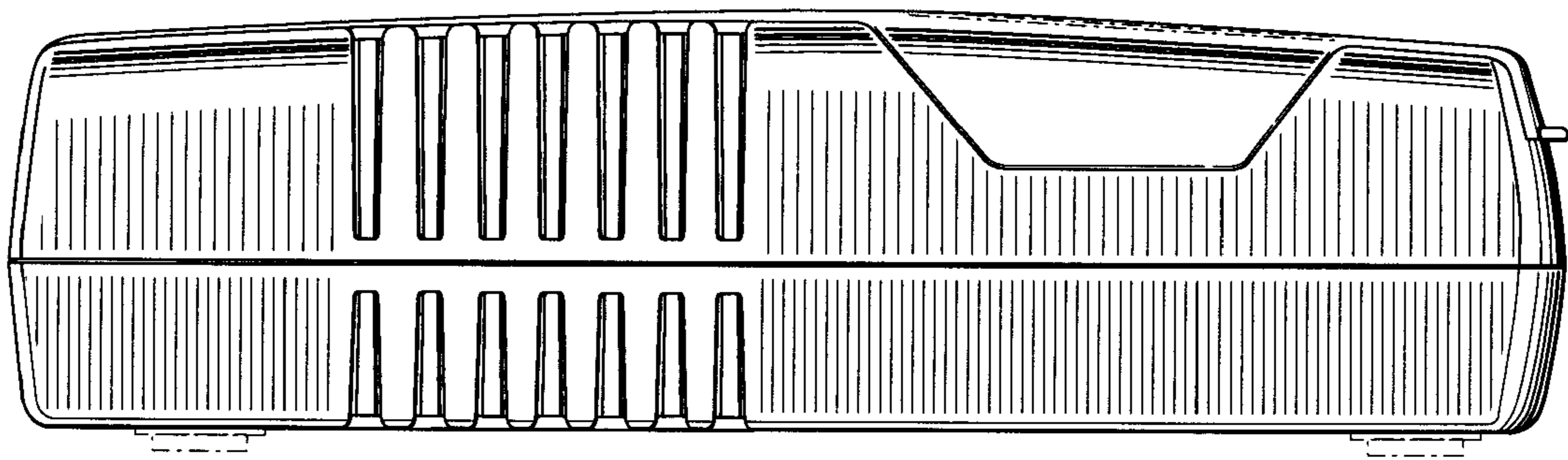


Fig. 3

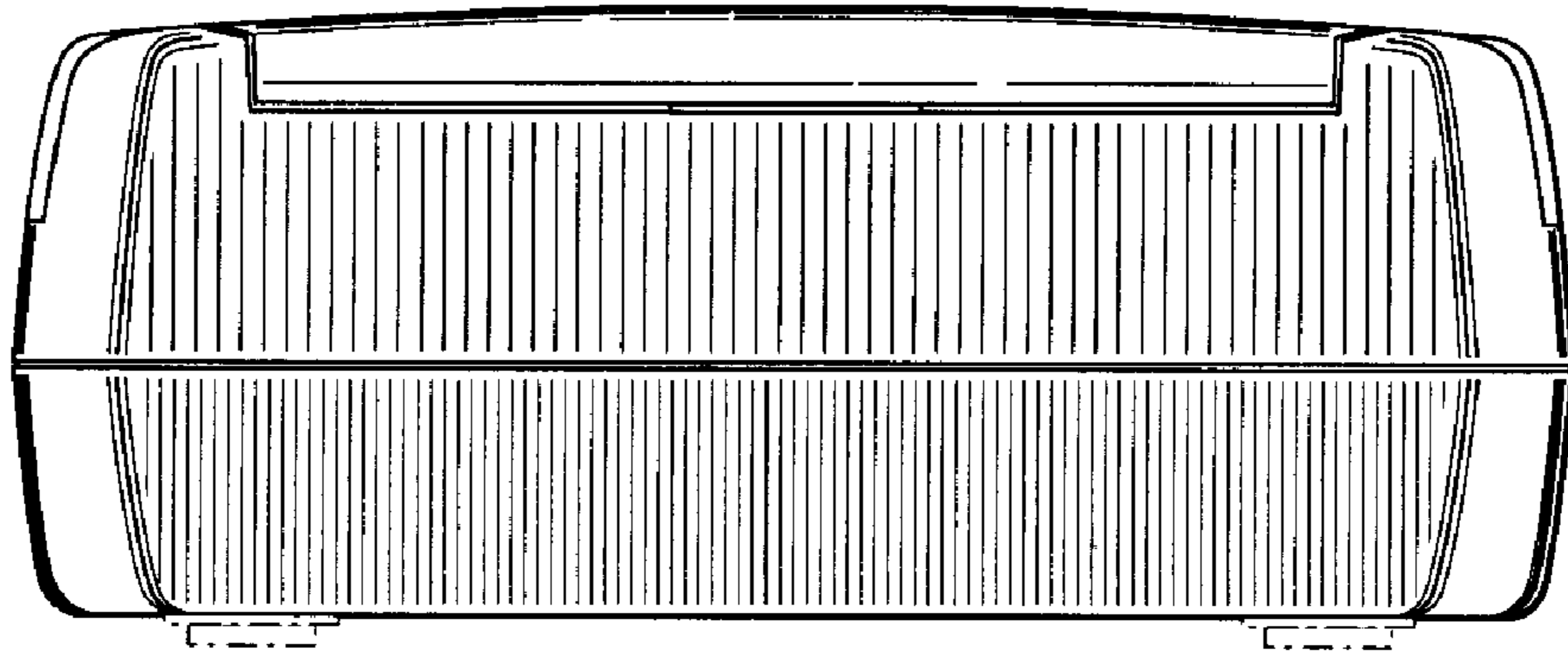


Fig. 4

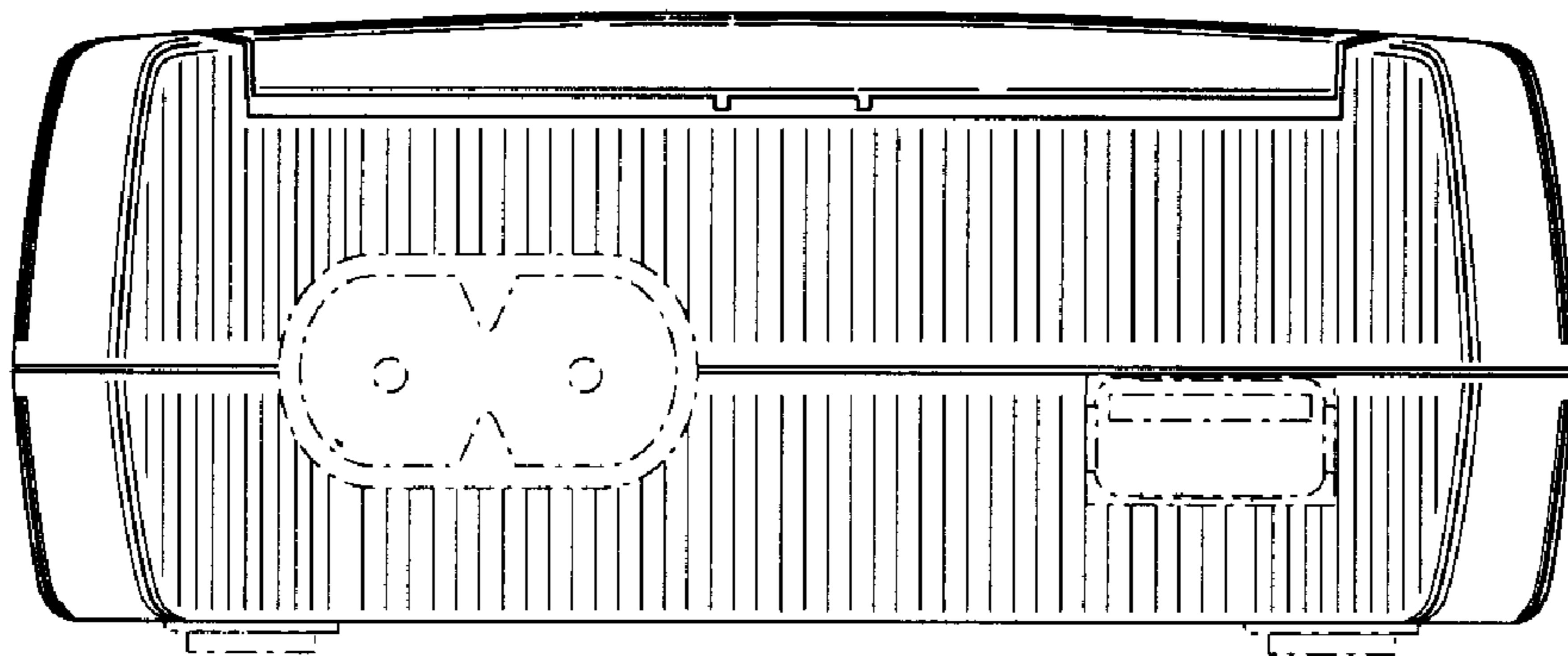


Fig. 5

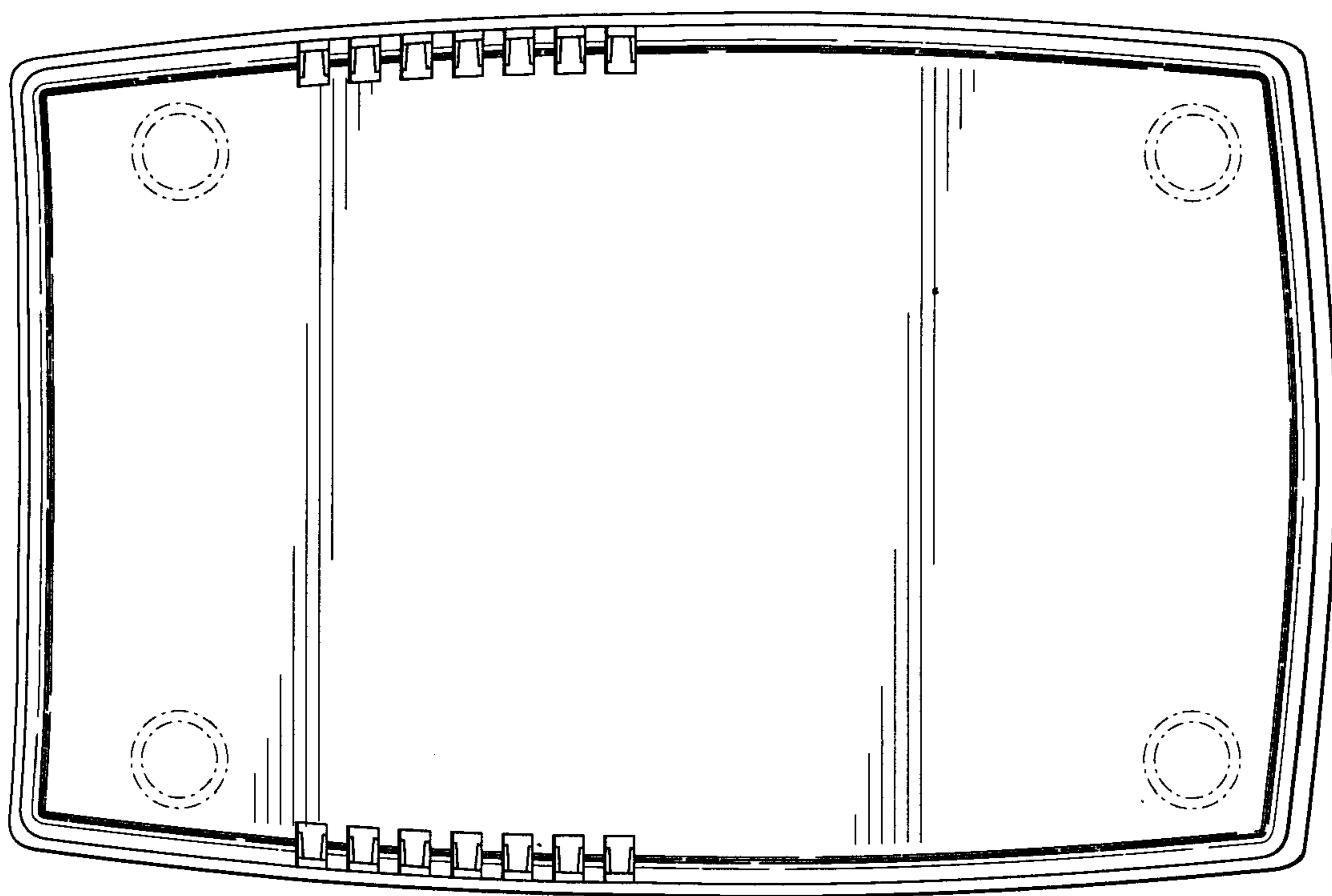


Fig. 6

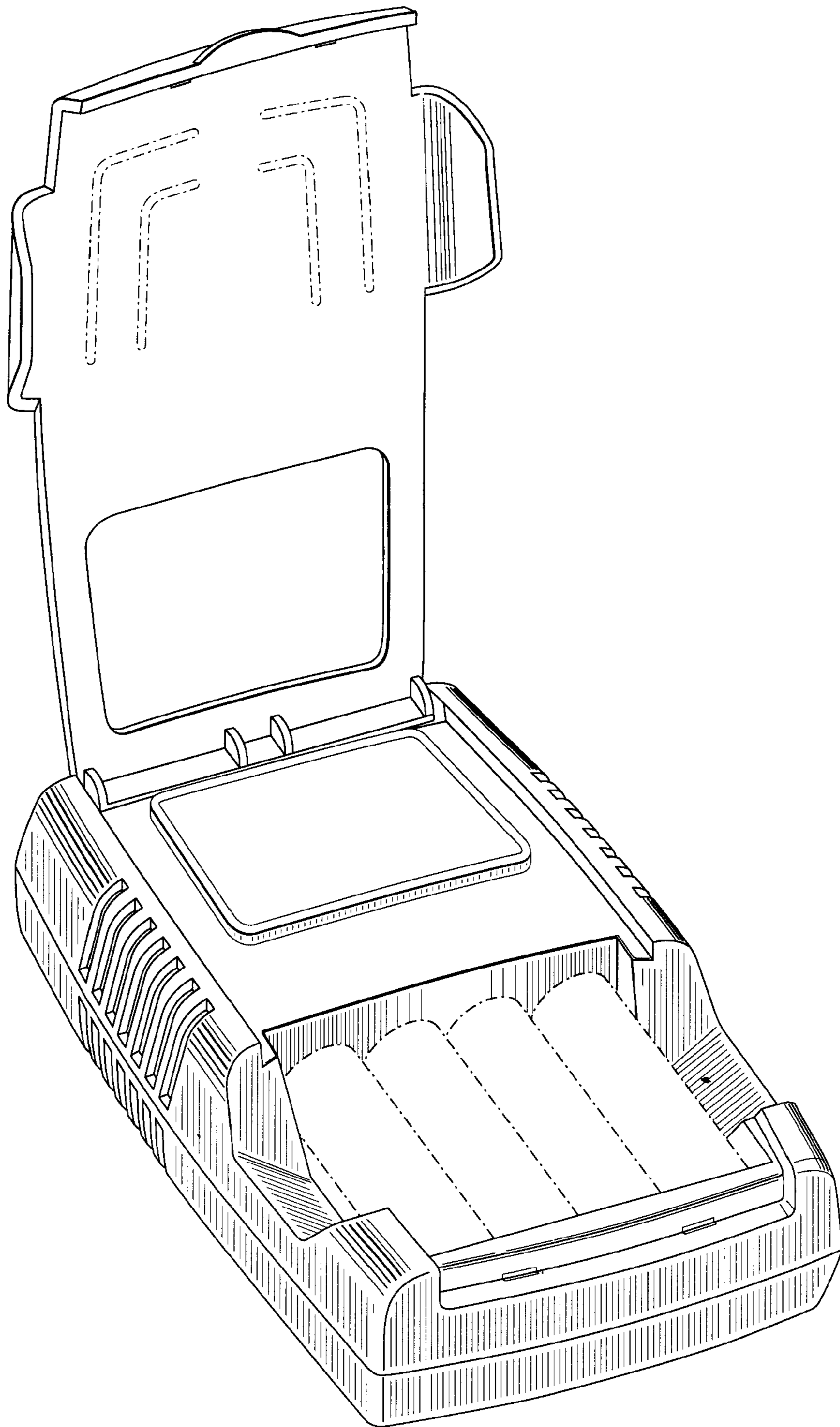


Fig. 7