



US00D546280S

(12) **United States Design Patent**
Marchetto et al.

(10) **Patent No.:** **US D546,280 S**
(45) **Date of Patent:** **** Jul. 10, 2007**

(54) **SUPPORT FOR REMOTE CONTROL**

D535,612 S * 1/2007 Chien D13/107

(75) Inventors: **Oscar Marchetto**, Oderzo (IT);
Roberto Gherlenda, Oderzo (IT)

(73) Assignee: **Nice SpA**, Oderzo (Treviso) (IT)

(**) Term: **14 Years**

(21) Appl. No.: **29/232,187**

(22) Filed: **Jun. 16, 2005**

(30) **Foreign Application Priority Data**

Dec. 17, 2004 (IT) TV 2004O0036

(51) **LOC (8) Cl.** **13-02**

(52) **U.S. Cl.** **D13/107**

(58) **Field of Classification Search** D13/168,
D13/184, 107-108; D14/432-434, 251-253,
D14/329-330; 361/679-682, 724-727, 683,
361/686; 320/107-115

See application file for complete search history.

(56) **References Cited**

U.S. PATENT DOCUMENTS

- D361,979 S * 9/1995 Shirakawa et al. D13/108
- D448,724 S * 10/2001 Hsiao D13/107
- D459,299 S * 6/2002 Hughes et al. D13/108
- D469,073 S * 1/2003 Muenscher et al. D14/149
- 6,711,005 B2 * 3/2004 Martin 361/686
- D515,502 S * 2/2006 Wen D13/108
- D519,446 S * 4/2006 Helin D13/107
- D519,449 S * 4/2006 Luneau D13/108

OTHER PUBLICATIONS

Oscar Marchetto et al., "Support For Remote Control", U.S. Appl. No. 29/232,188, filed Jun. 16, 2005. Image File Wrapper available.
 Oscar Marchetto et al., "Remote Control", U.S. Appl. No. 29/232,190, filed Jun. 16, 2005. Image File Wrapper available.
 Oscar Marchetto et al., "Remote Control", U.S. Appl. No. 29/232,191, filed Jun. 16, 2005. Image File Wrapper available.
 Oscar Marchetto et al., "Remote Control", U.S. Appl. No. 29/232,189, filed Jun. 16, 2005. Image File Wrapper available.

* cited by examiner

Primary Examiner—Brian N Vinson

(74) *Attorney, Agent, or Firm*—Wenderoth, Lind & Ponack, L.L.P.

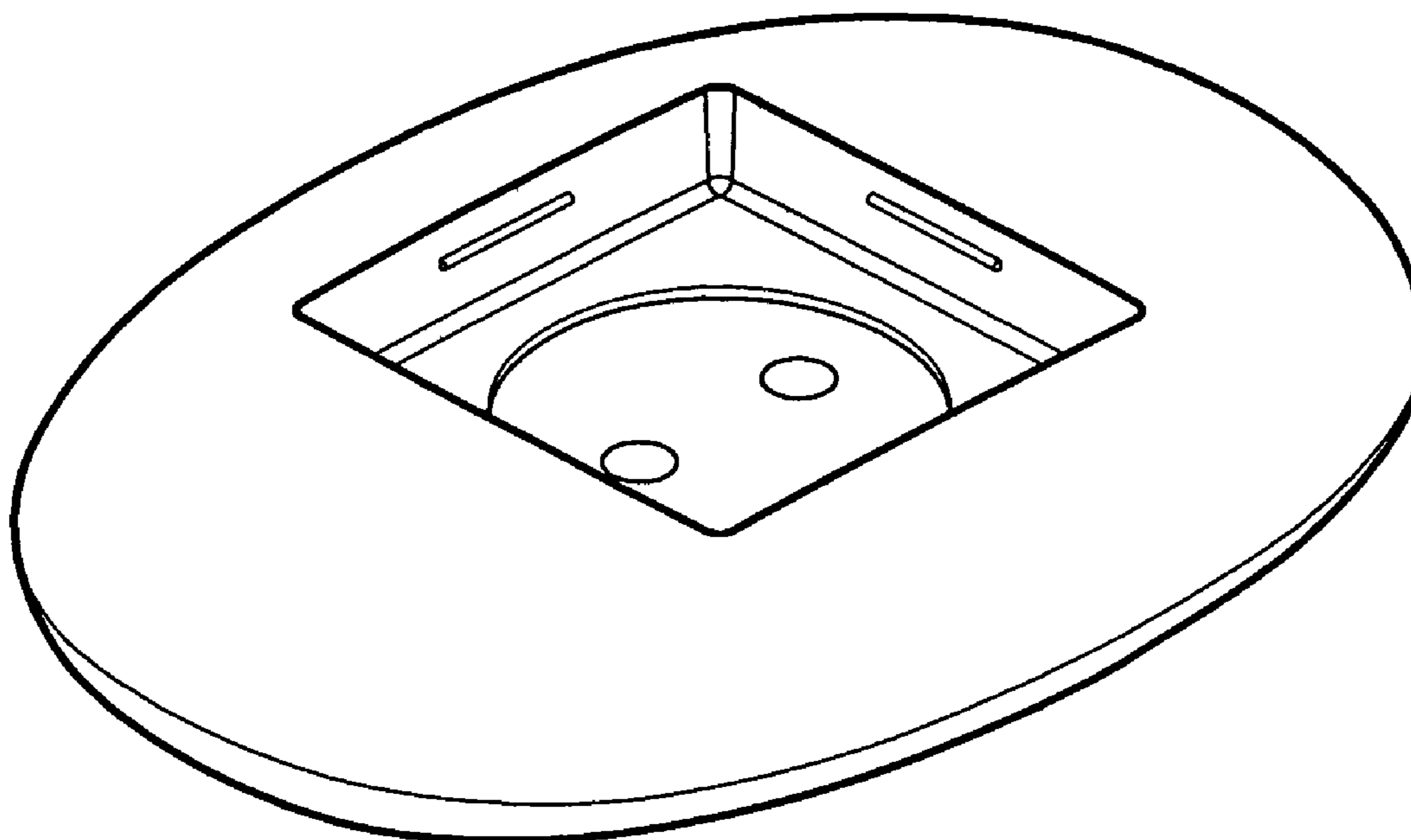
(57) **CLAIM**

The ornamental design for support for remote control, as shown and described.

DESCRIPTION

FIG. 1 is a perspective view thereof;
 FIG. 2 is a bottom view thereof;
 FIG. 3 is a front view thereof;
 FIG. 4 is a top view thereof;
 FIG. 5 is a rear view thereof;
 FIG. 6 is a right lateral view thereof; and,
 FIG. 7 is left lateral view thereof.

1 Claim, 2 Drawing Sheets



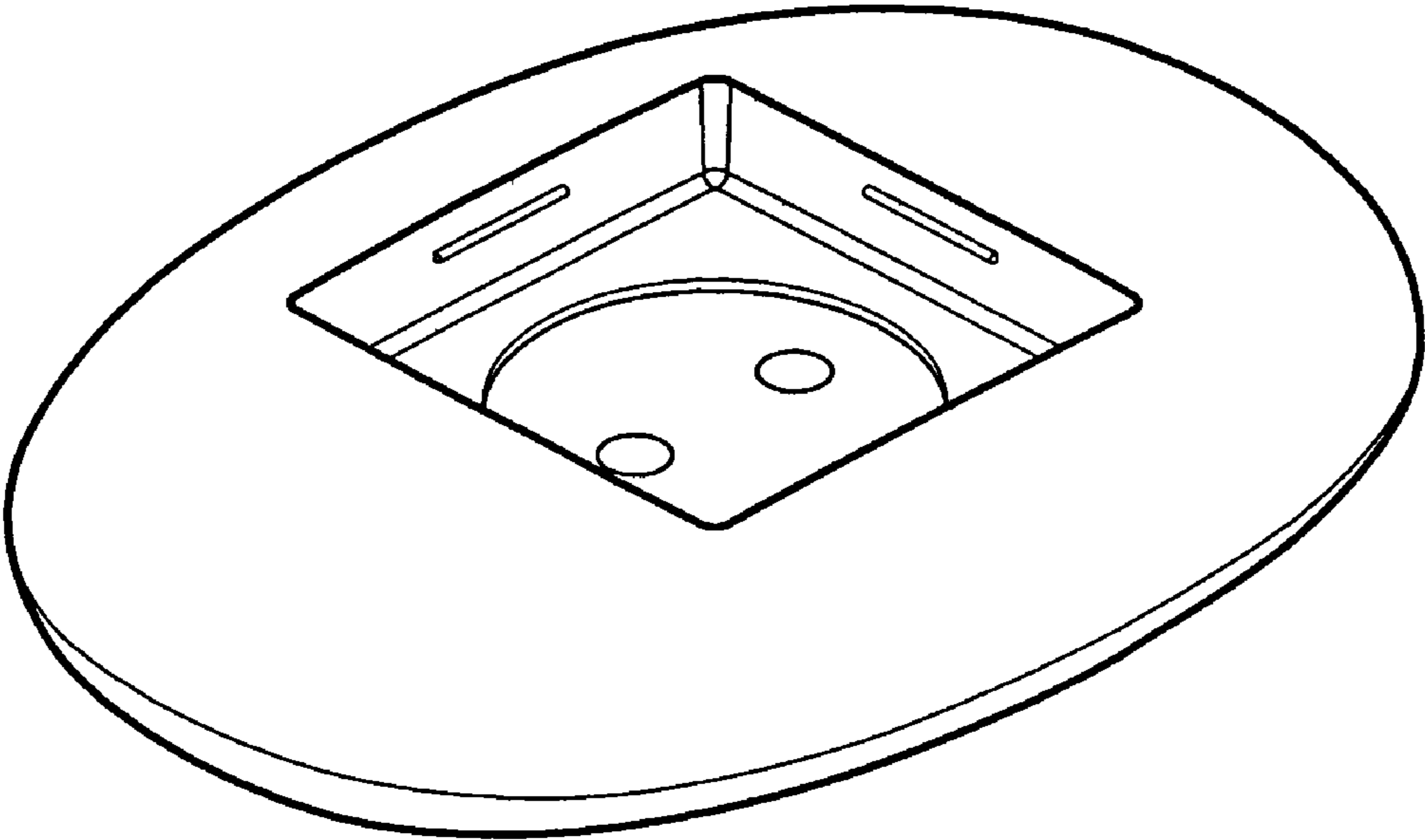
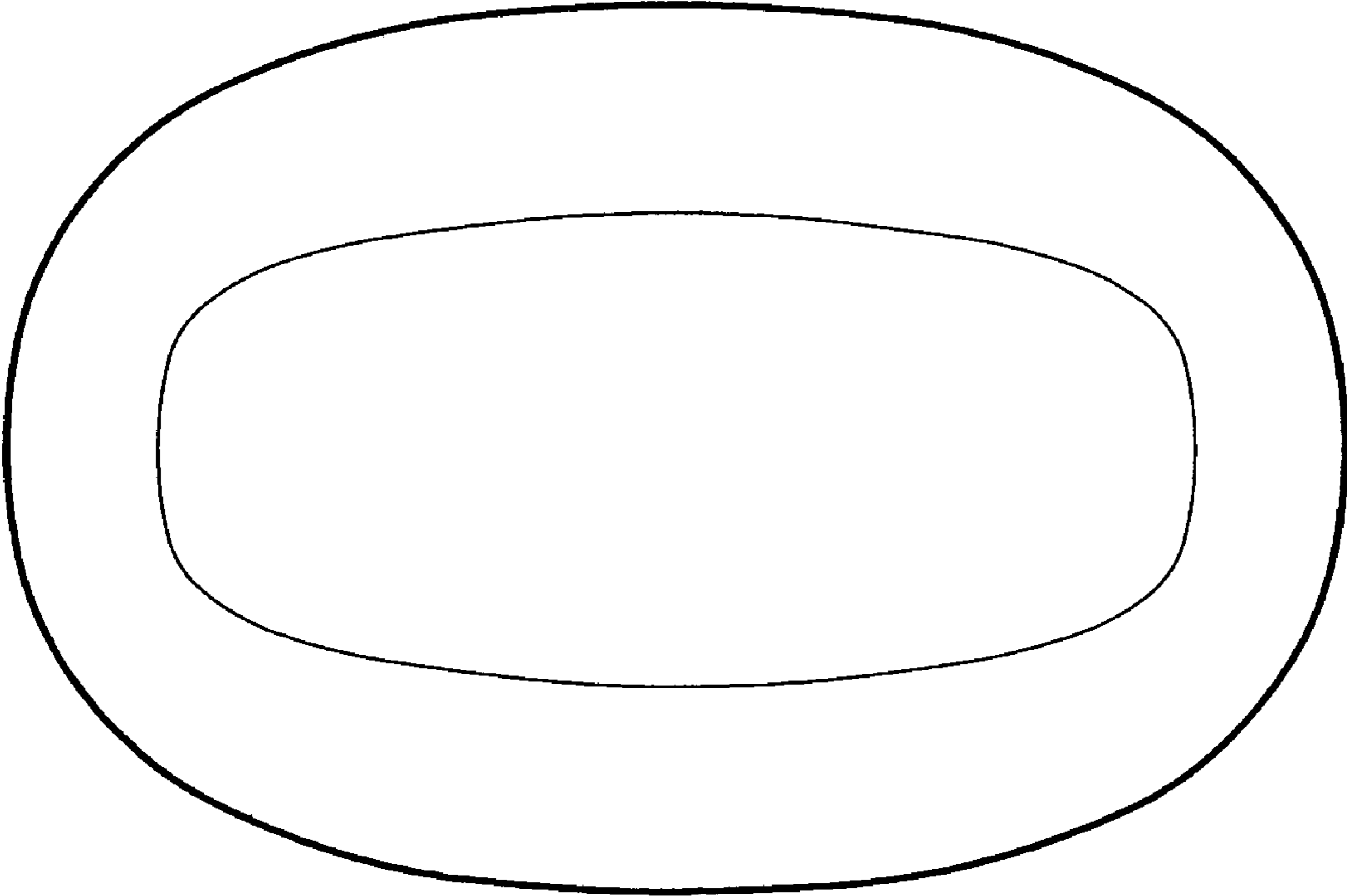


FIG. 1

FIG. 2



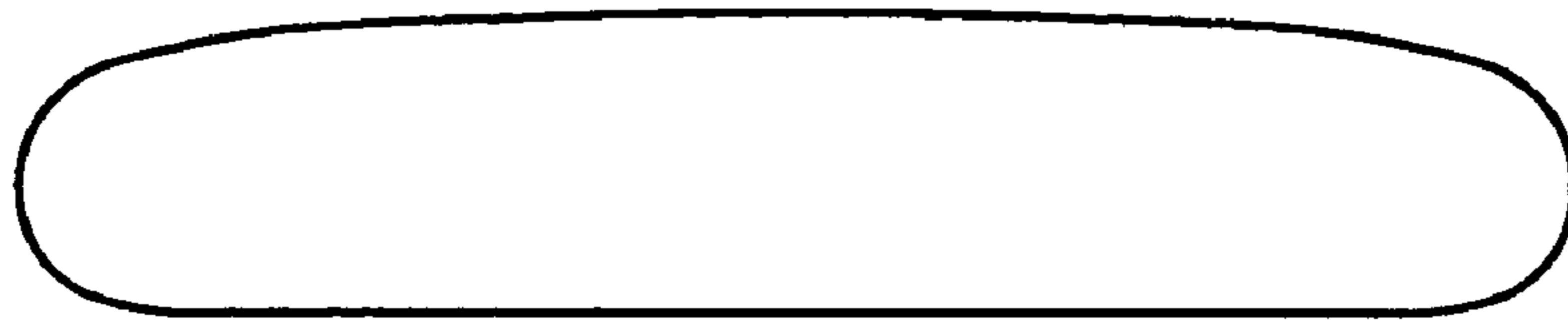


FIG.3

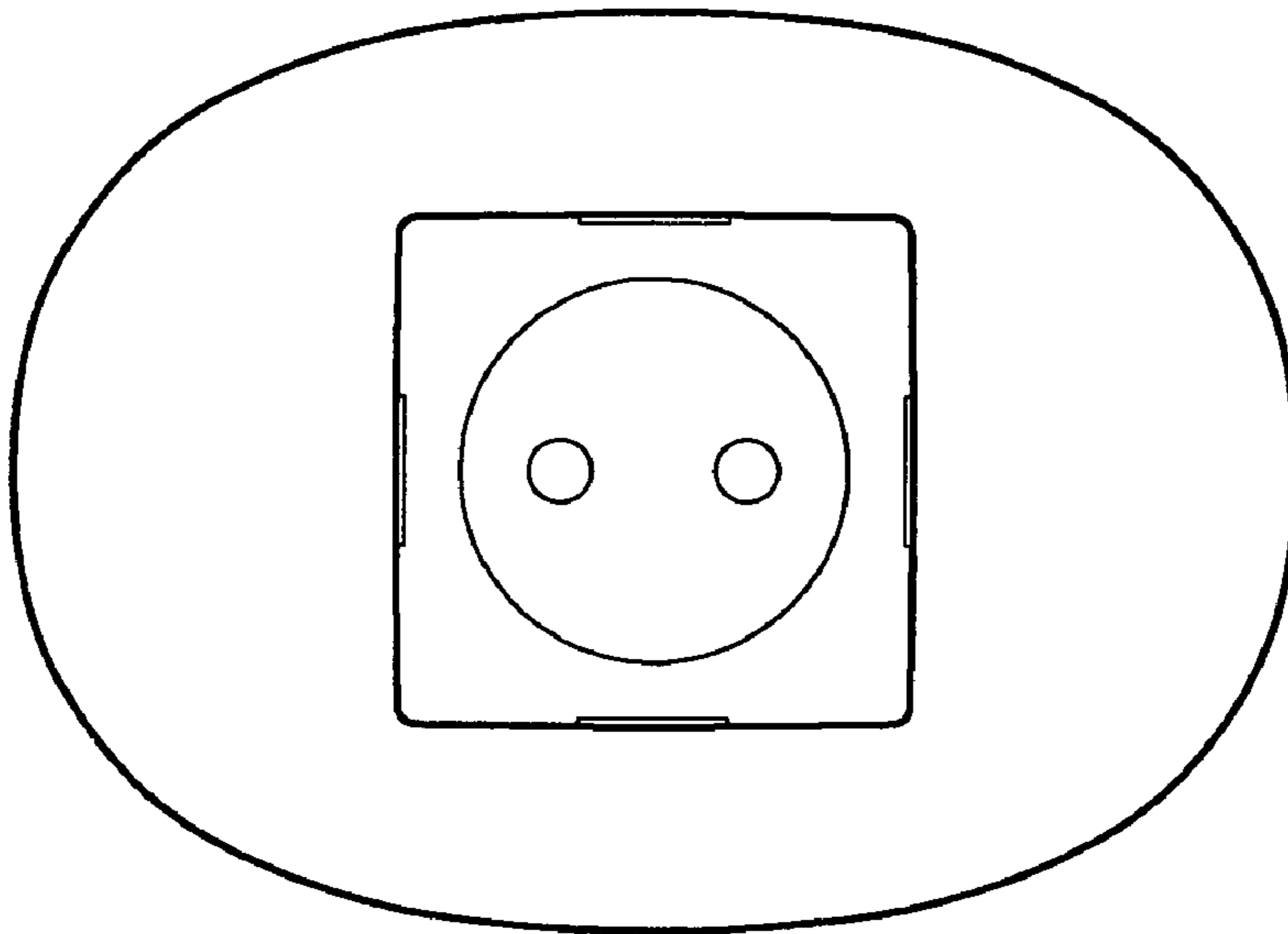


FIG.4



FIG.5



FIG.6



FIG.7