



US00D546277S

(12) **United States Design Patent**  
**Andre et al.**

(10) **Patent No.:** **US D546,277 S**  
(45) **Date of Patent:** **\*\* Jul. 10, 2007**

(54) **BATTERY PACK**

(75) Inventors: **Bartley K. Andre**, Menlo Park, CA (US); **Daniel J. Coster**, San Francisco, CA (US); **Daniele De Iuliis**, San Francisco, CA (US); **Richard P. Howarth**, San Francisco, CA (US); **Jonathan P. Ive**, San Francisco, CA (US); **Duncan Robert Kerr**, San Francisco, CA (US); **Shin Nishibori**, San Francisco, CA (US); **Matthew Dean Rohrbach**, San Francisco, CA (US); **Douglas B. Satzger**, Menlo Park, CA (US); **Calvin Q. Seid**, Palo Alto, CA (US); **Christopher J. Stringer**, Portola Valley, CA (US); **Eugene Antony Whang**, San Francisco, CA (US); **Rico Zörkendörfer**, San Francisco, CA (US)

(73) Assignee: **Apple Inc.**, Cupertino, CA (US)

(\*\*) Term: **14 Years**

(21) Appl. No.: **29/220,037**

(22) Filed: **Dec. 23, 2004**

(51) **LOC (8) Cl.** ..... **13-02**

(52) **U.S. Cl.** ..... **D13/103**

(58) **Field of Classification Search** ..... D13/102–106,  
D13/110, 118–119, 184; 429/96–100, 163,  
429/176

See application file for complete search history.

(56) **References Cited**

**U.S. PATENT DOCUMENTS**

D310,367 S \* 9/1990 Dockery ..... D14/217  
(Continued)

**OTHER PUBLICATIONS**

“Apacer Audio Steno AV220 1GB All in one Handy Drive + MP3 Player”, [www.supermediastore.com/apacer-audio-steno-av220-1gb.html](http://www.supermediastore.com/apacer-audio-steno-av220-1gb.html), downloaded Nov. 22, 2005.

(Continued)

*Primary Examiner*—Alan P. Douglas  
*Assistant Examiner*—Rosemary K. Tarcza  
(74) *Attorney, Agent, or Firm*—Beyer Weaver LLP

(57) **CLAIM**

We claim the ornamental design for a battery pack, substantially as shown and described.

**DESCRIPTION**

FIG. 1 is a front perspective view of a battery pack in accordance with the present design.

FIG. 2 is a rear perspective view of the battery pack.

FIG. 3 is a front view for the battery pack.

FIG. 4 is a rear view for the battery pack.

FIG. 5 is a right side view for the battery pack.

FIG. 6 is a left side view for the battery pack.

FIG. 7 is a top view for the battery pack.

FIG. 8 is a bottom view for the battery pack.

FIG. 9 is a front view of an electronic device being attached to the battery pack.

FIG. 10 is another front view of an electronic device being attached to the battery pack.

FIG. 11 is a side view of an electronic device being attached to the battery pack.

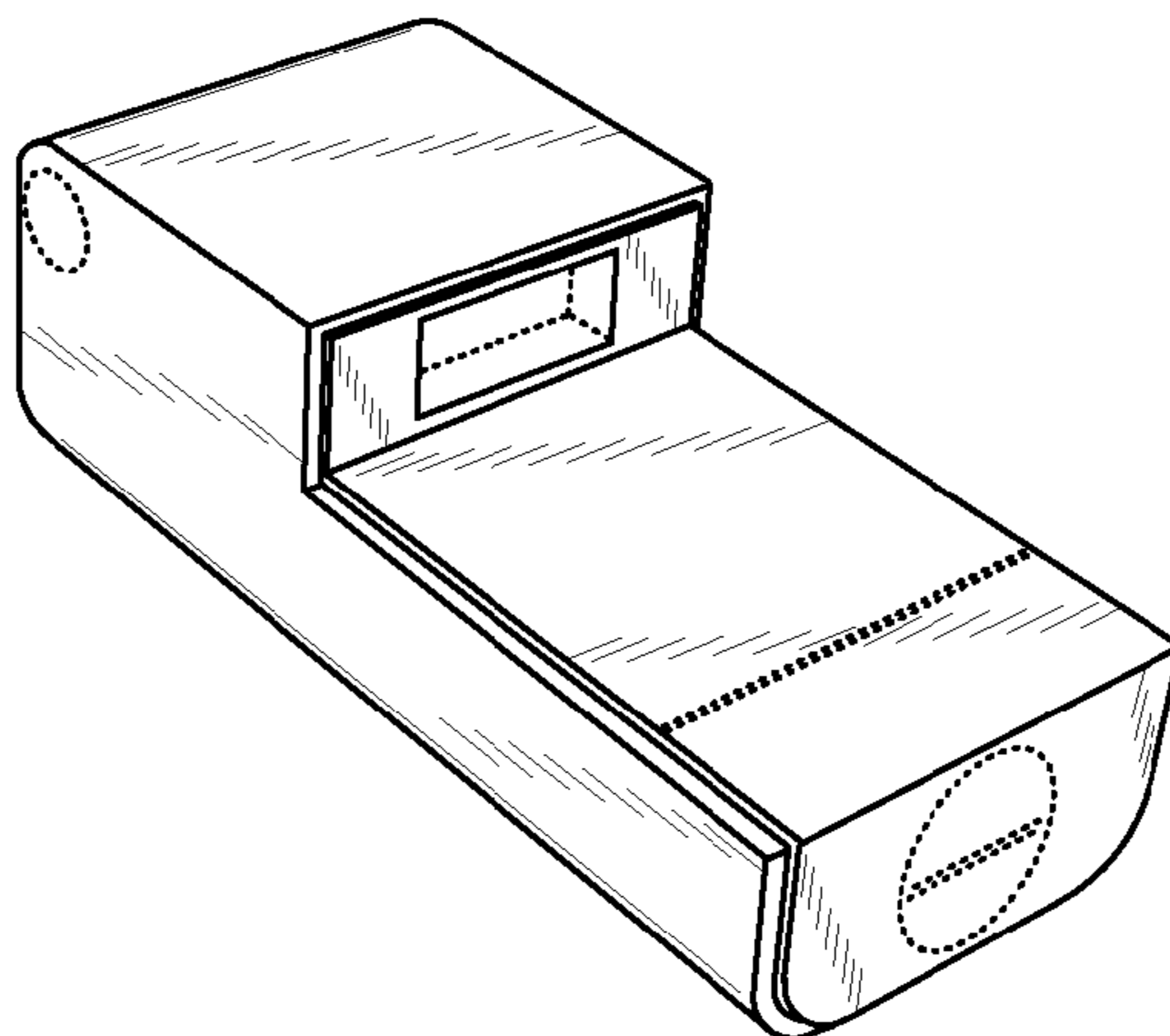
FIG. 12 is another side view of an electronic device being attached to the battery pack.

FIG. 13 is a top view of the battery pack with a cord connected thereto in accordance with the present design. The battery pack with the cord connected thereto may for example be worn around the neck.

FIG. 14 is a perspective view of the battery pack with a cord connected thereto; and,

FIG. 15 is another perspective view of the battery pack with a cord connected thereto.

**1 Claim, 5 Drawing Sheets**



U.S. PATENT DOCUMENTS

D327,868	S	*	7/1992	Oka	.....	D13/110
D337,984	S	*	8/1993	Lindahl	.....	D13/103
D407,063	S	*	3/1999	Reis et al.	.....	D13/103
D435,827	S	*	1/2001	Rausch et al.	.....	D13/103
D460,411	S	*	7/2002	Wang	.....	D13/103
D489,325	S	*	5/2004	Nakamura	.....	D13/110
D495,992	S	*	9/2004	Lim	.....	D13/103
D516,026	S	*	2/2006	Barrett et al.	.....	D13/108
D517,478	S	*	3/2006	Bayat et al.	.....	D13/108

OTHER PUBLICATIONS

“MuVo TX FM, MP3 Player with sports armband and case, FM radio, FM recorder, voice recorder and direct USB connection”, <http://us.creative.com/products/product.asp?category=213&subcategory=215&product=9...>, downloaded Nov. 22, 2005.

“MP3 Players—Zen, MuVo, Digital MP3 Player, Spice up your MuVo”, <http://us.creative.com/products/products.asp?category=213&subcategory=&product=9217>, downloaded Nov. 22, 2005.

“MuVo TX, Easy to use MP3 player with LCD display, playback options, voice recorder and direct USB connection”, <http://us.creative.com/products/product.asp?category=213&subcategory=215&product=9...>, downloaded Nov. 22, 2005.

“MuVo NX—Trim & ultra-light MP3 player, USB, flash drive & voice recorder, MP3 player with LCD display, playback options, voice recorder and direct USB 1.1 connection”, <http://us.creative.com/products/product.asp?category=213&subcategory=215&product=4...>, downloaded Nov. 22, 2005.

“iPod Batteries—The iPod Accessory Store, iPod PowerStick—Exteneral Battery for iPod Connectors”, <http://www.audio-outfitters.com/page40.html>, downloaded Nov. 22, 2005.

“IPOD Battery by Battery Technology Inc.”, [http://www.batterytech.com/ipod\\_infor/iPod\\_info.htm](http://www.batterytech.com/ipod_infor/iPod_info.htm), downloaded Nov. 22, 2005.

Advanced MP3 Players—iRiver External Battery Pack (iMP-500/iMP-350), [http://www.advancedmp3players.co.uk/shop/product\\_info.php?cPath=7\\_10&products\\_id...](http://www.advancedmp3players.co.uk/shop/product_info.php?cPath=7_10&products_id...), downloaded Nov. 22, 2005.

M-UPS-D External battery pack, M-UPS-L External Battery Pack, Charger for SONY PSP . . . , <http://win-top.en.alibaba.com/group/0.html>, downloaded Nov. 22, 2005.

“Digital Audio Player, Wearable MP3, Go Gear”, Philips, May 24, 2004.

“Beklin iPod Backup Battery Pack with Dock Connector” [http://www.walmart.com/catalog/product.do?dest=9999999997&product\\_id=2569426&s...](http://www.walmart.com/catalog/product.do?dest=9999999997&product_id=2569426&s...), downloaded Nov. 22, 2005.

myPower Rechargeable Battery and Dock Combo for Ipod: Compare Price, <http://shopping.msn.com/prices/shp/?itemID=22040716>, downloaded Nov. 22, 2005.

“Batteries products at MSN Shopping”, <http://shopping.msn.com/results/shp/?bCatOd=4658,av=2124-4545256>, downloaded Nov. 22, 2005.

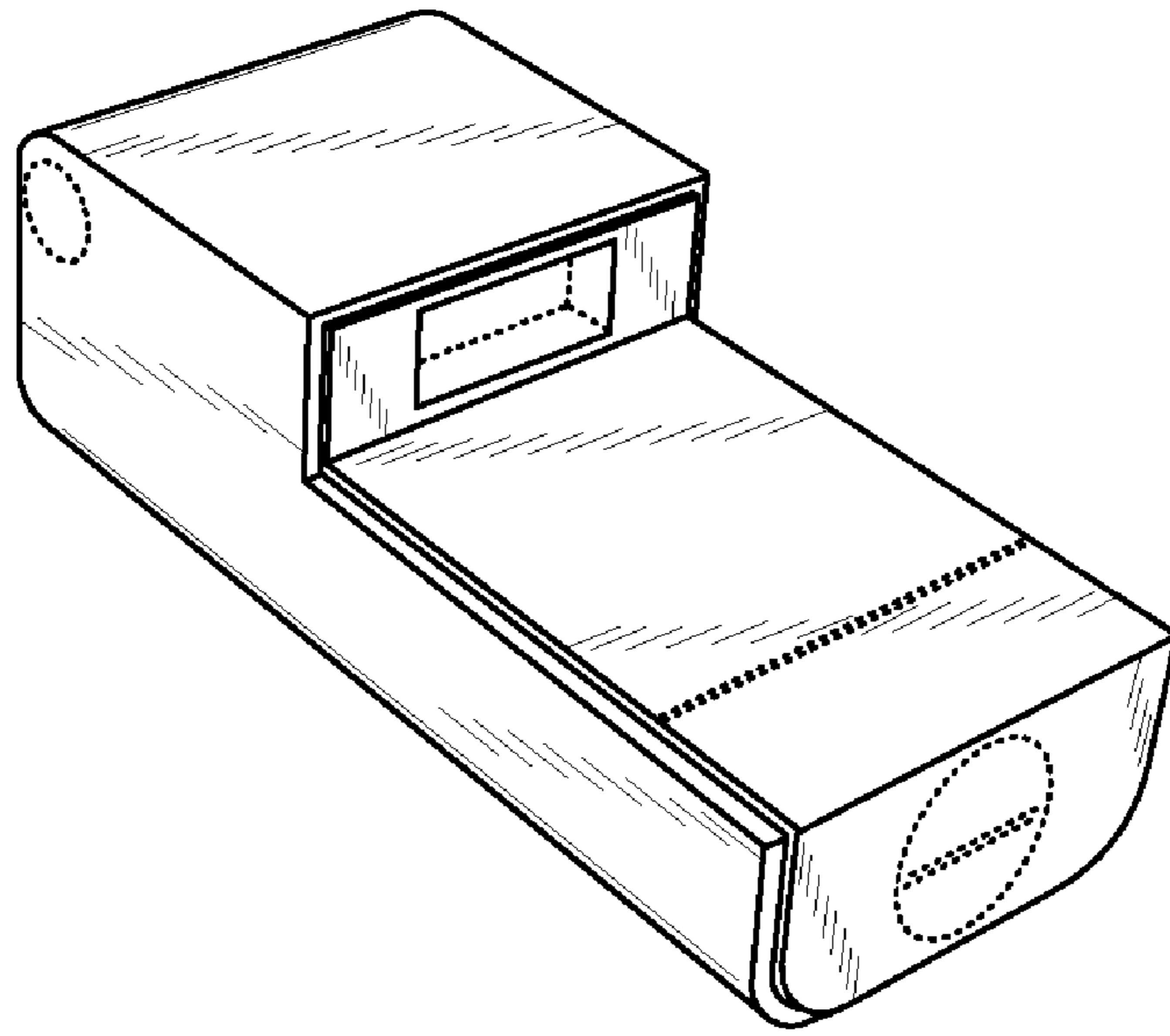
“Belkin TunePower Rechargeable Battery Pack for iPod”, <http://www.bhphotovideo.cim/bnh/controller/home?A=details&kw=BETPBIPM&is=RE...>, downloaded Nov. 22, 2005.

“RadioShack.com—Power & Batteries: Unique/hard-to-find batteries: 40-Hour External Li-Ion Battery for iPod” <http://www.radioshack.com/product.index.jsp?productId=2111089>, downloaded Nov. 22, 2005.

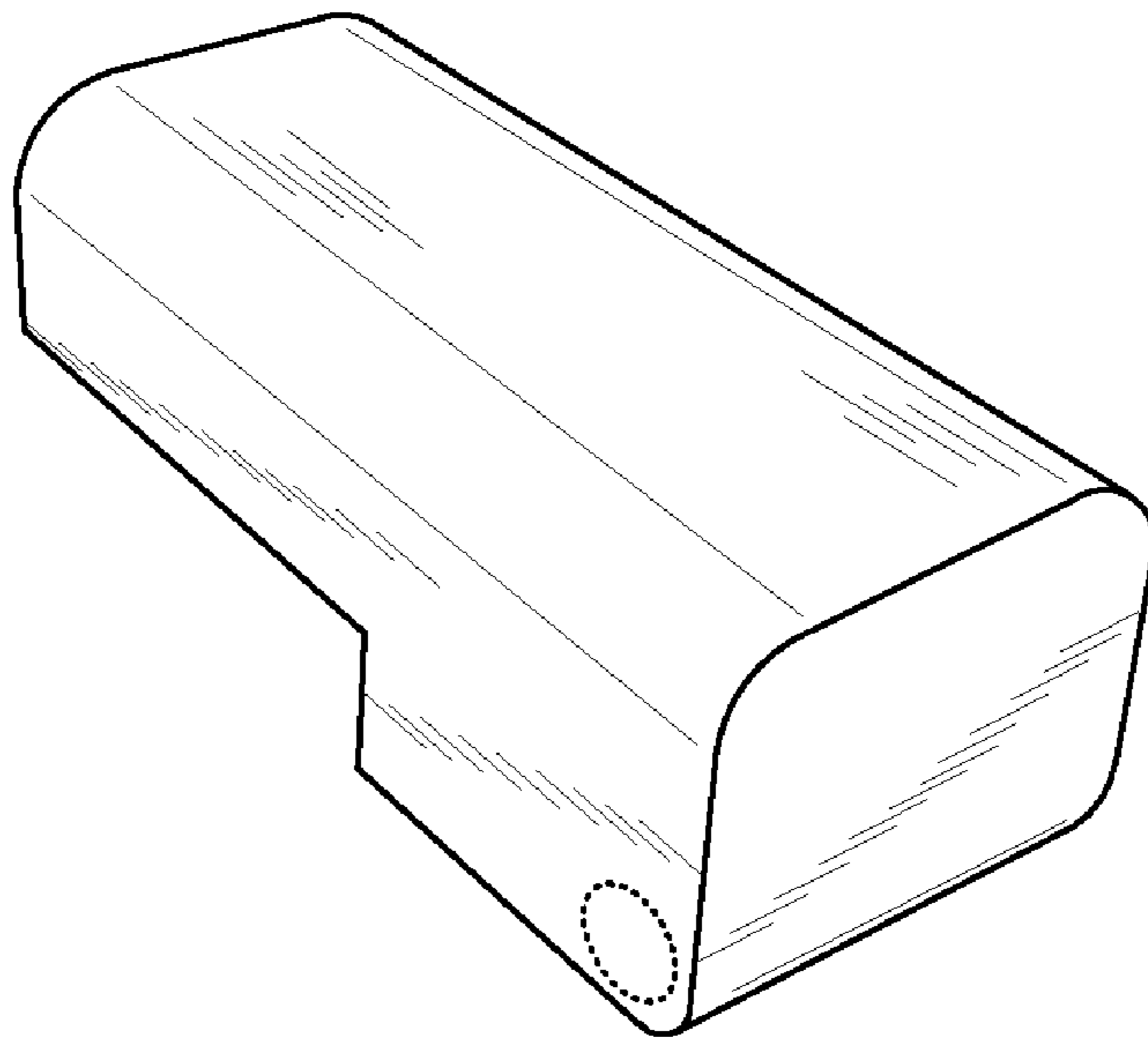
“iBoost Battery Pack for iPod Mini”, <http://electronics.smartbargains.com/go.sb?pagename=prod&fcloc=cat&deptid=2&catid=...>, downloaded Nov. 22, 2005.

“iBoost Battery Pack for iPod”, <http://electronics.smartbargains.com/go.sb?pagename=prod&fcloc=cat&deptid=2&catid=...>, downloaded Nov. 22, 2005.

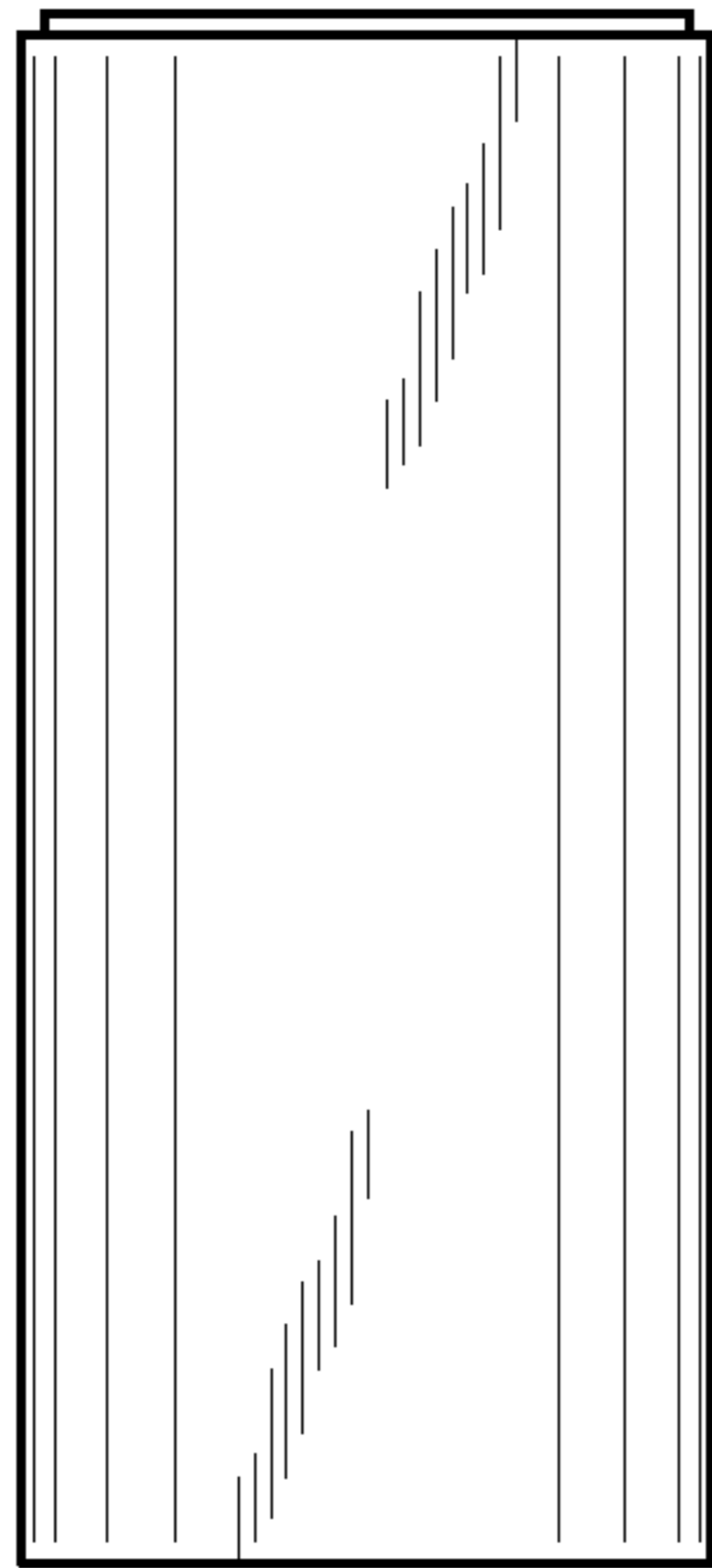
\* cited by examiner



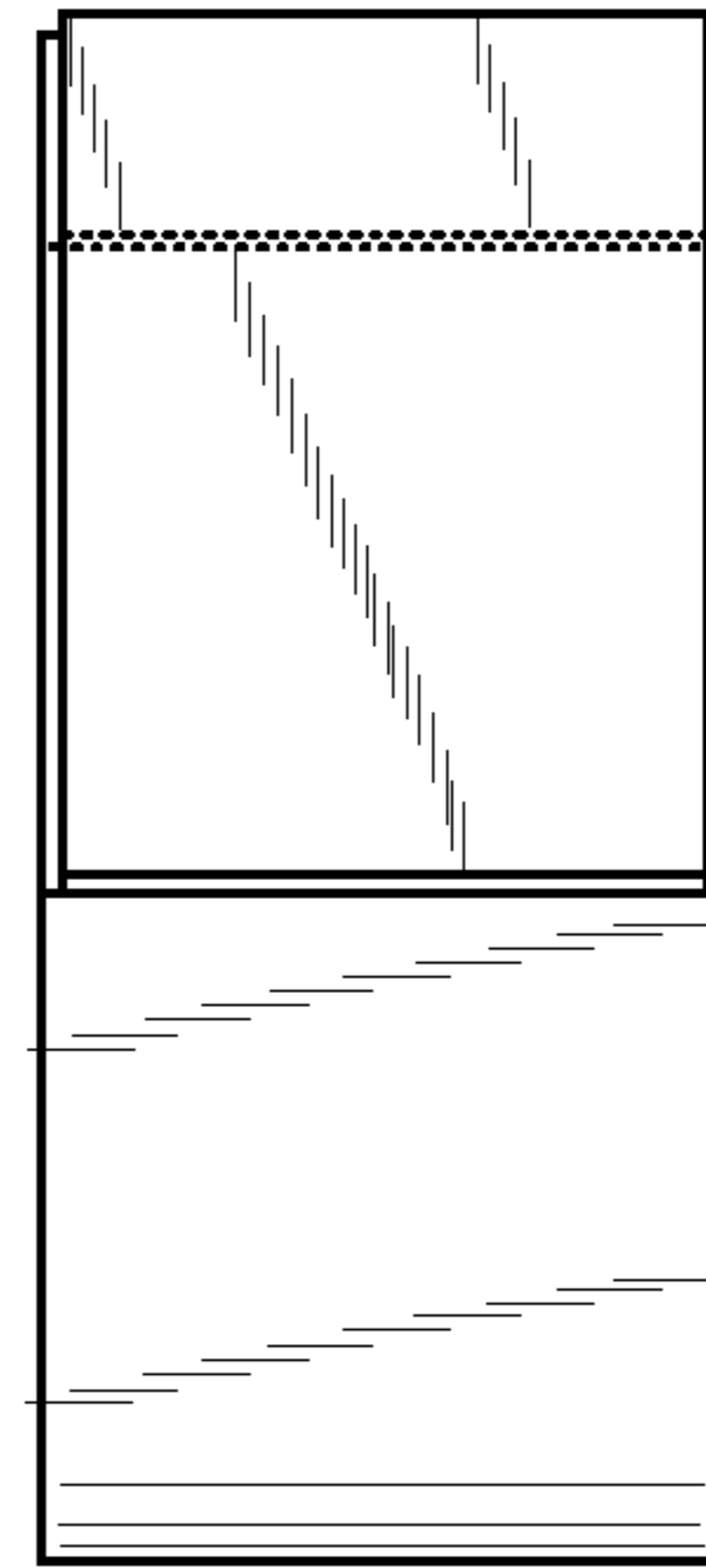
**FIG. 1**



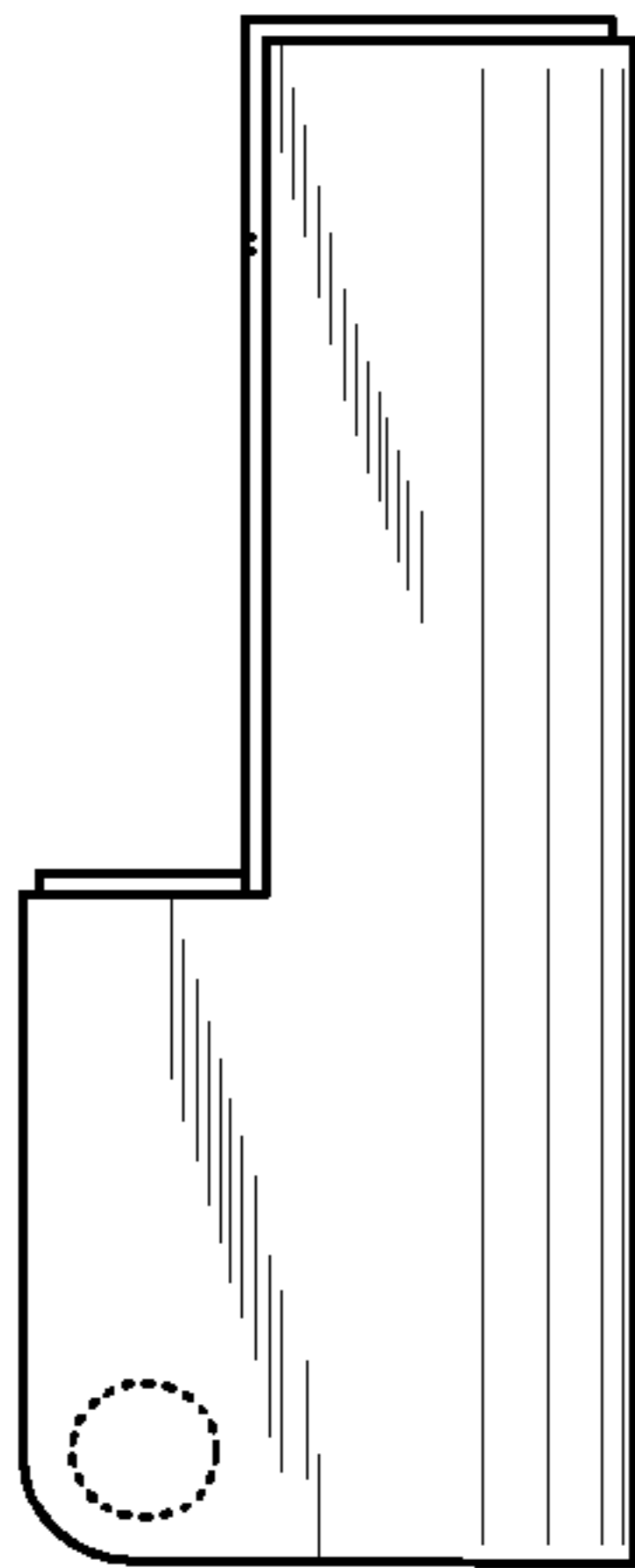
**FIG. 2**



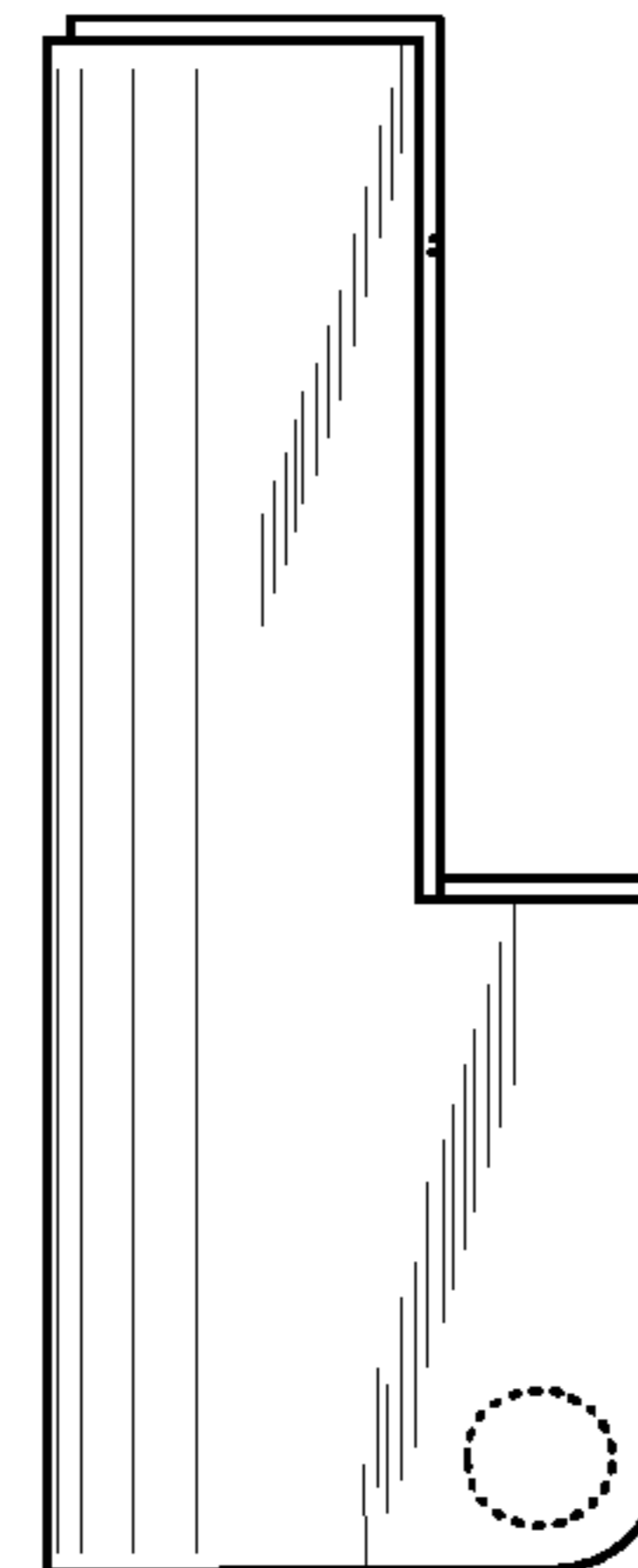
**FIG. 4**



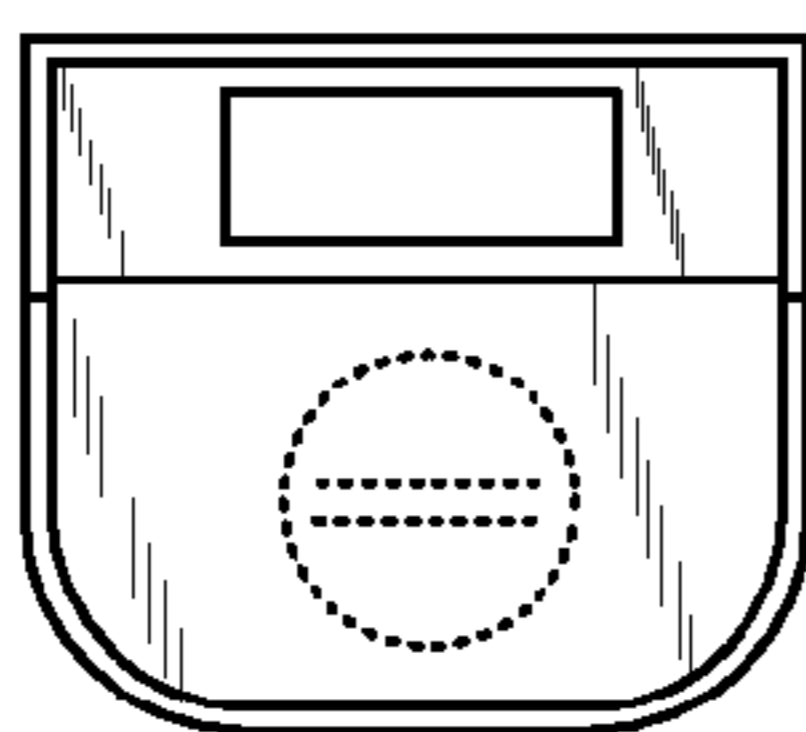
**FIG. 3**



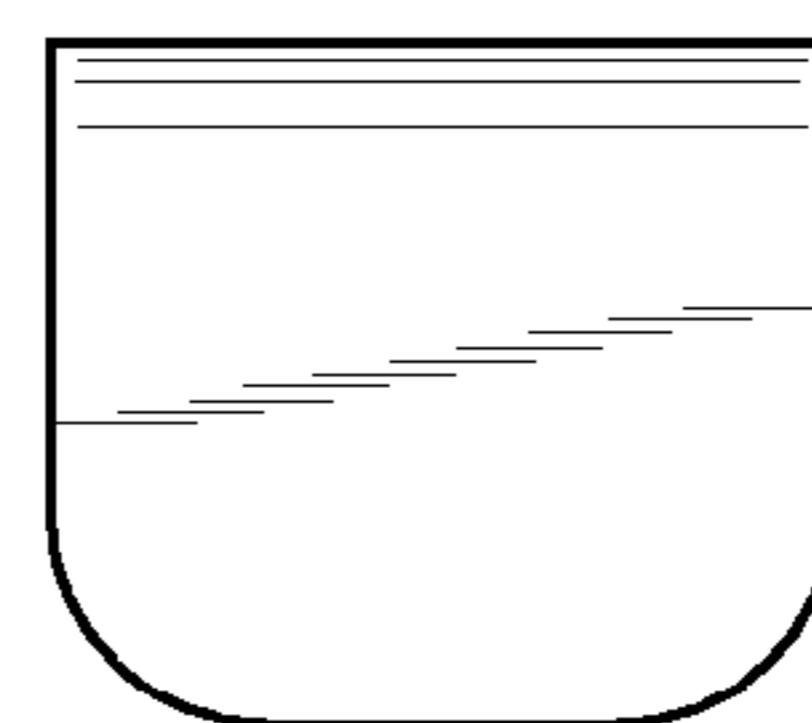
**FIG. 5**



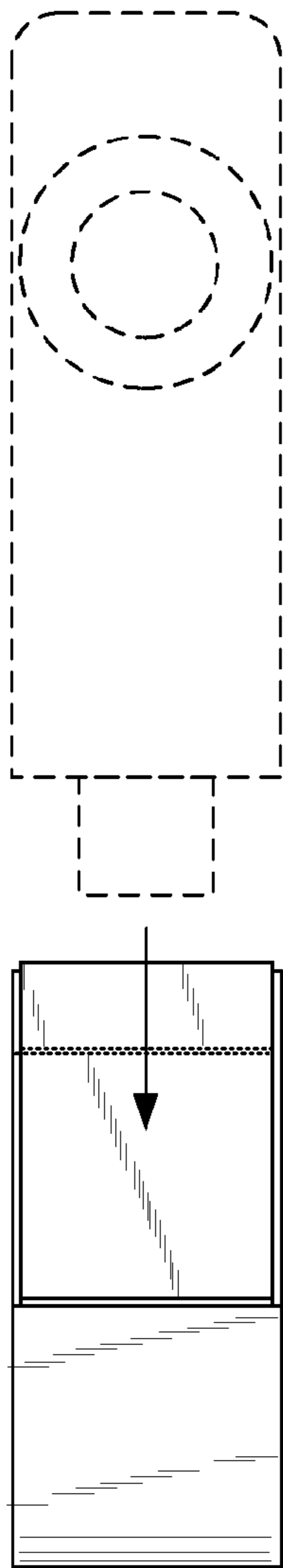
**FIG. 6**



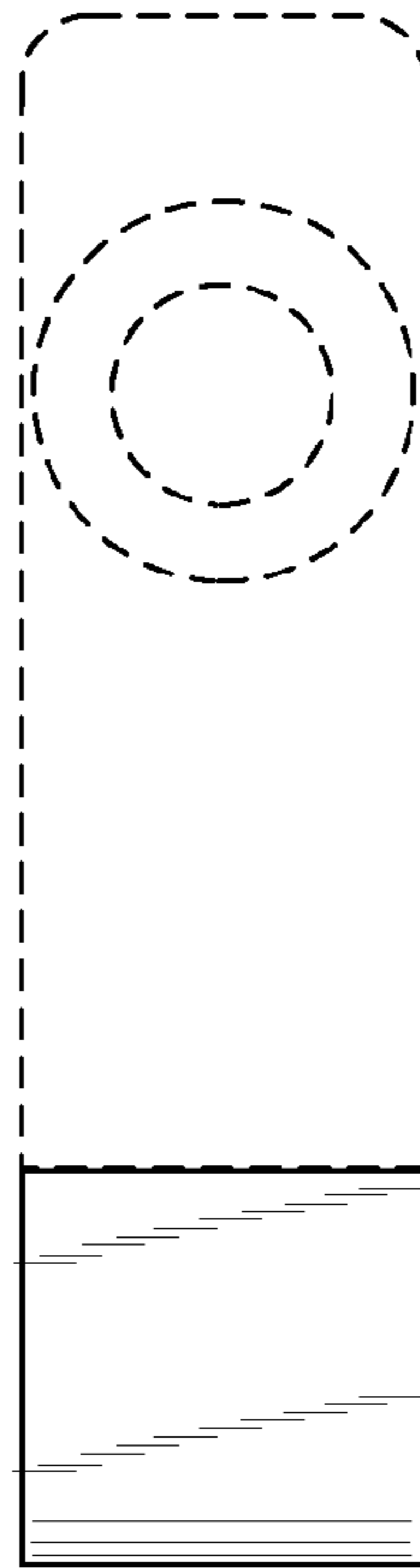
**FIG. 7**



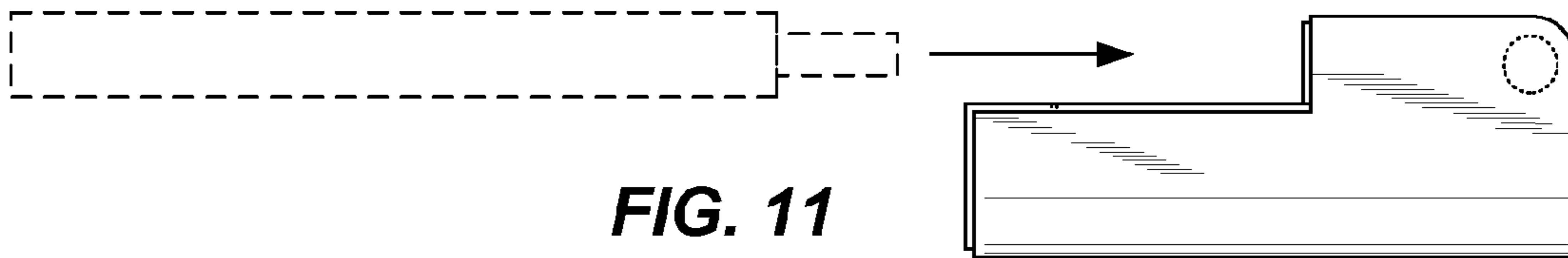
**FIG. 8**



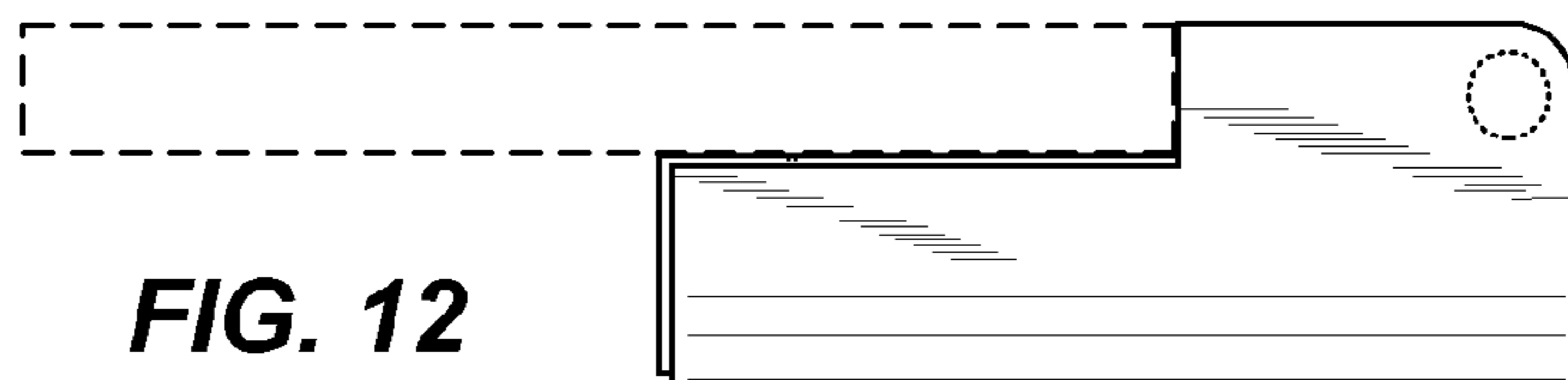
**FIG. 9**



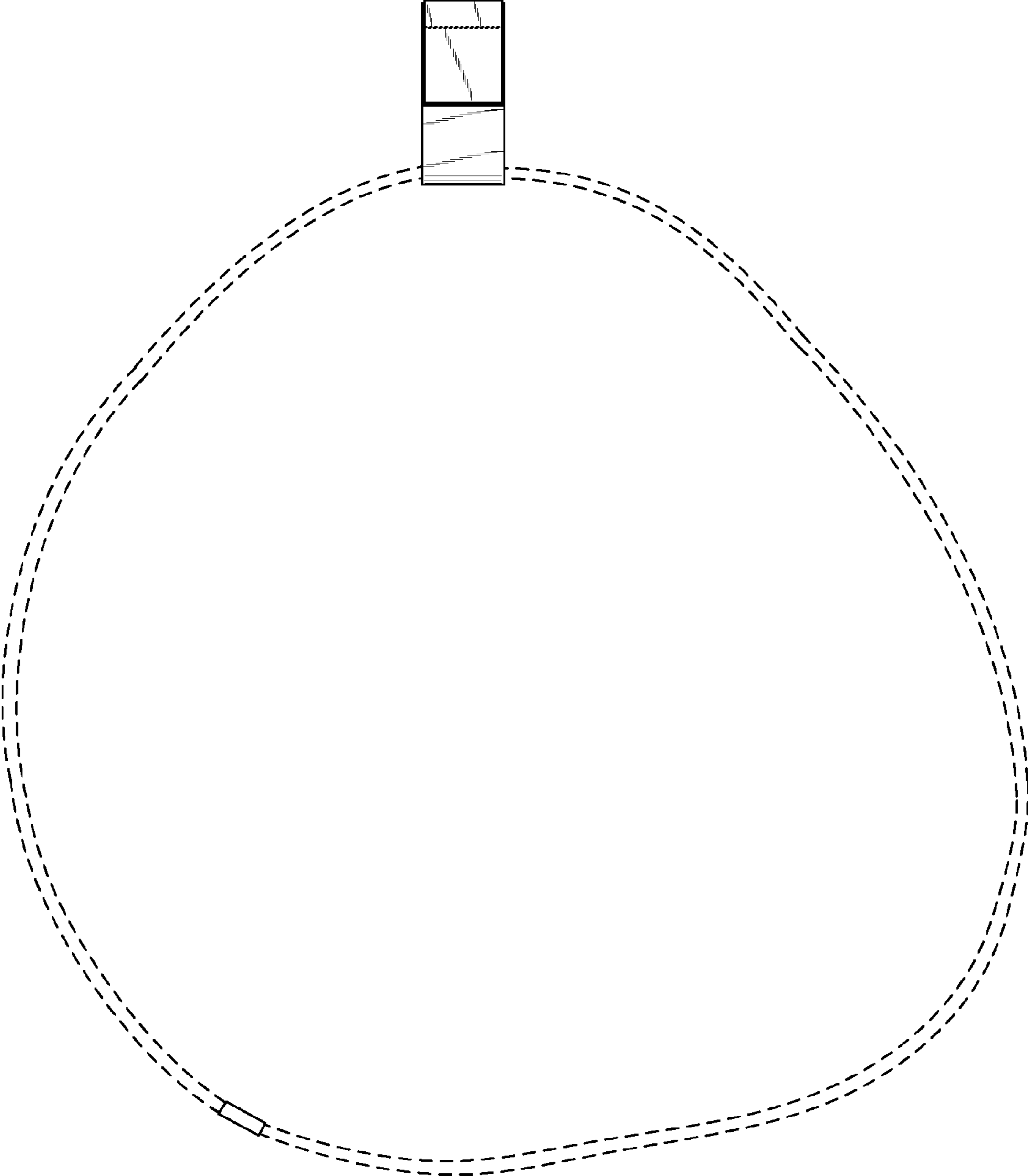
**FIG. 10**



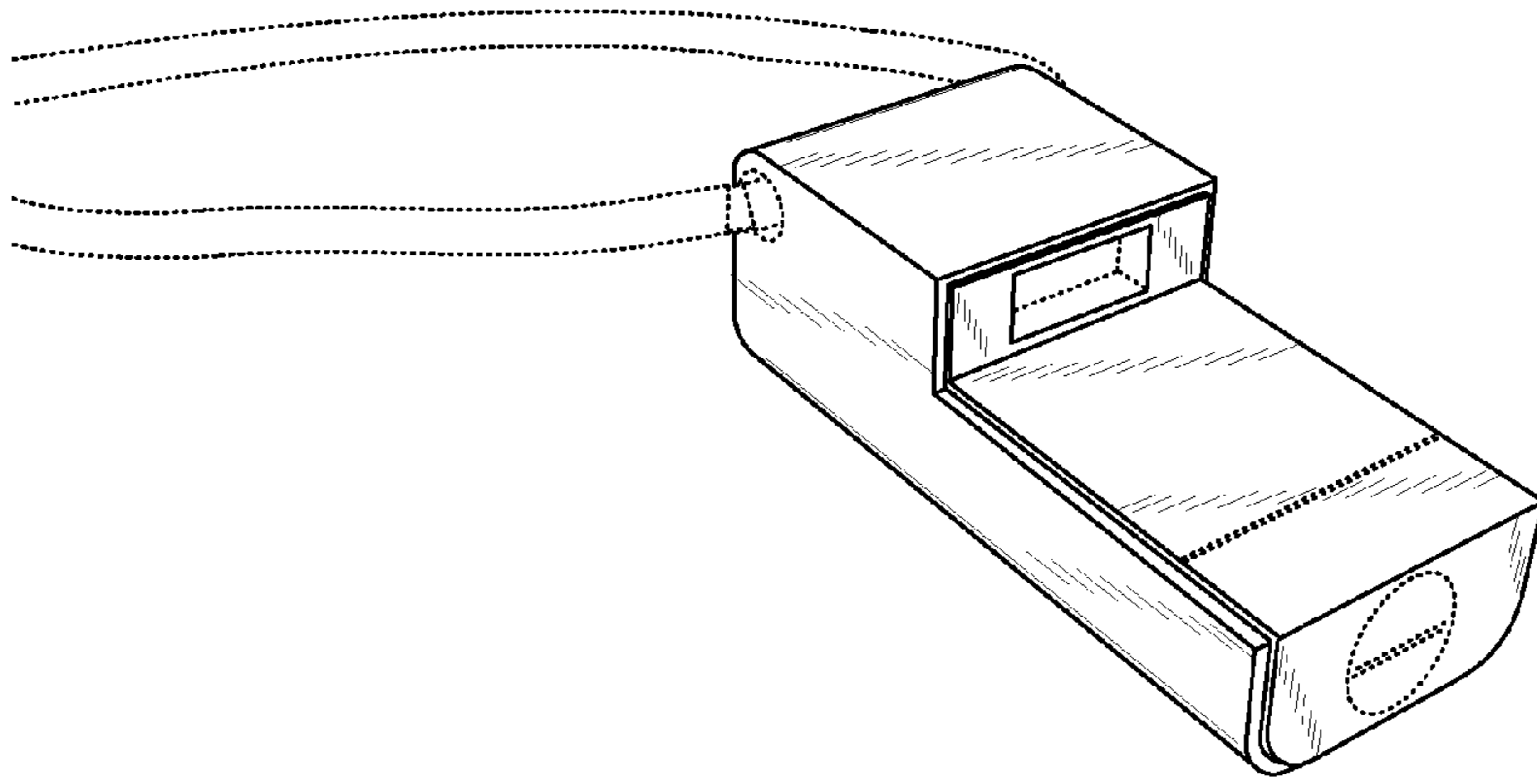
**FIG. 11**



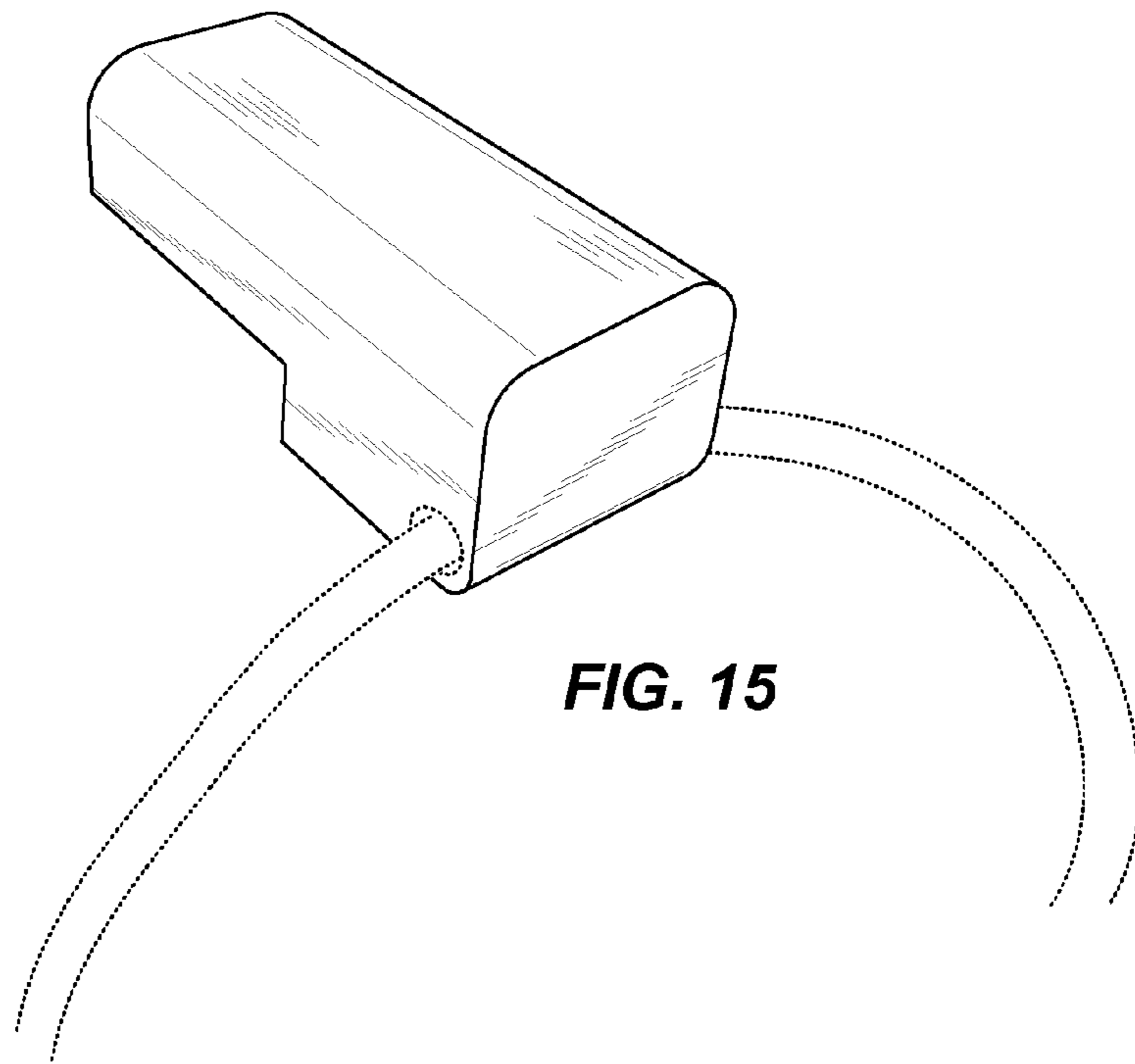
**FIG. 12**



**FIG. 13**



**FIG. 14**



**FIG. 15**