

US00D546274S

(12) **United States Design Patent**
Yonehara et al.

(10) **Patent No.:** **US D546,274 S**
(45) **Date of Patent:** **** Jul. 10, 2007**

(54) **ELECTROACOUSTIC TRANSDUCER**

(75) Inventors: **Kentaro Yonehara**, Shizuoka (JP);
Yoshio Imahori, Shizuoka (JP);
Hiroshi Fujinami, Shizuoka (JP);
Yasunori Tsukuda, Shizuoka (JP);
Motoaki Ito, Shizuoka (JP)

(73) Assignee: **Star Micronics Co., Ltd.**, Shizuoka (JP)

(**) Term: **14 Years**

(21) Appl. No.: **29/234,215**

(22) Filed: **Jul. 15, 2005**

(30) **Foreign Application Priority Data**

Feb. 2, 2005 (JP) 2005-002662

(51) **LOC (8) Cl.** **13-02**

(52) **U.S. Cl.** **D13/101; D14/222**

(58) **Field of Classification Search** D13/101,
D13/184, 199; D10/116, 121; D14/214,
D14/222, 229; 367/181; 381/113, 174, 337,
381/396, 398, 412, 417, 423, 431
See application file for complete search history.

(56) **References Cited**

U.S. PATENT DOCUMENTS

4,621,171 A * 11/1986 Wada et al. 381/113
4,730,283 A * 3/1988 Carlson et al. 367/181
D348,042 S * 6/1994 Cook et al. D13/101
5,471,437 A * 11/1995 Schutter et al. 367/175

D387,767 S * 12/1997 Tajima et al. D14/222
D402,275 S * 12/1998 Korhonen D13/184
D405,451 S * 2/1999 Sone D14/222
D408,822 S * 4/1999 Tajima et al. D14/222
6,169,810 B1 * 1/2001 van Halteren et al. 381/174

OTHER PUBLICATIONS

U.S. Appl. No. 29/234,216, filed Jul. 15, 2005, Kentaro Yonehara, et al.

* cited by examiner

Primary Examiner—Stella Reid

Assistant Examiner—Derrick Holland

(74) *Attorney, Agent, or Firm*—Sughrue Mion, PLLC

(57) **CLAIM**

The ornamental design for an electroacoustic transducer, as shown and described.

DESCRIPTION

FIG. 1 is a perspective view of the top, front and left side of an electroacoustic transducer showing our new design;

FIG. 2 is a top plan view thereof;

FIG. 3 is a front elevational view thereof, the rear view being a mirror image;

FIG. 4 is a left side elevational view thereof, the right side being a mirror image; and,

FIG. 5 is a bottom plan view thereof.

The portions shown in broken lines are for illustrative purposed only and form no part of the claimed design.

1 Claim, 3 Drawing Sheets

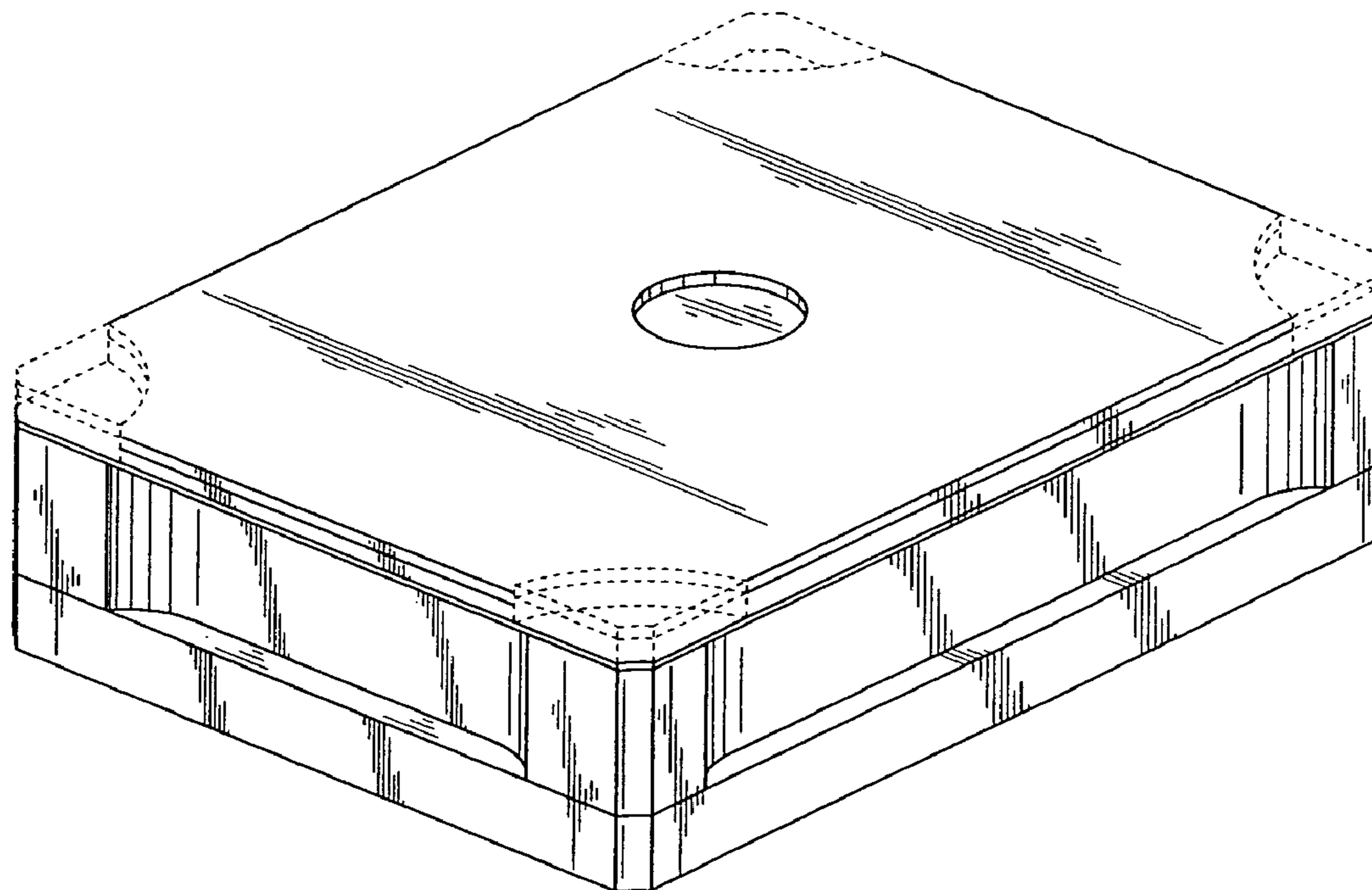


FIG. 1

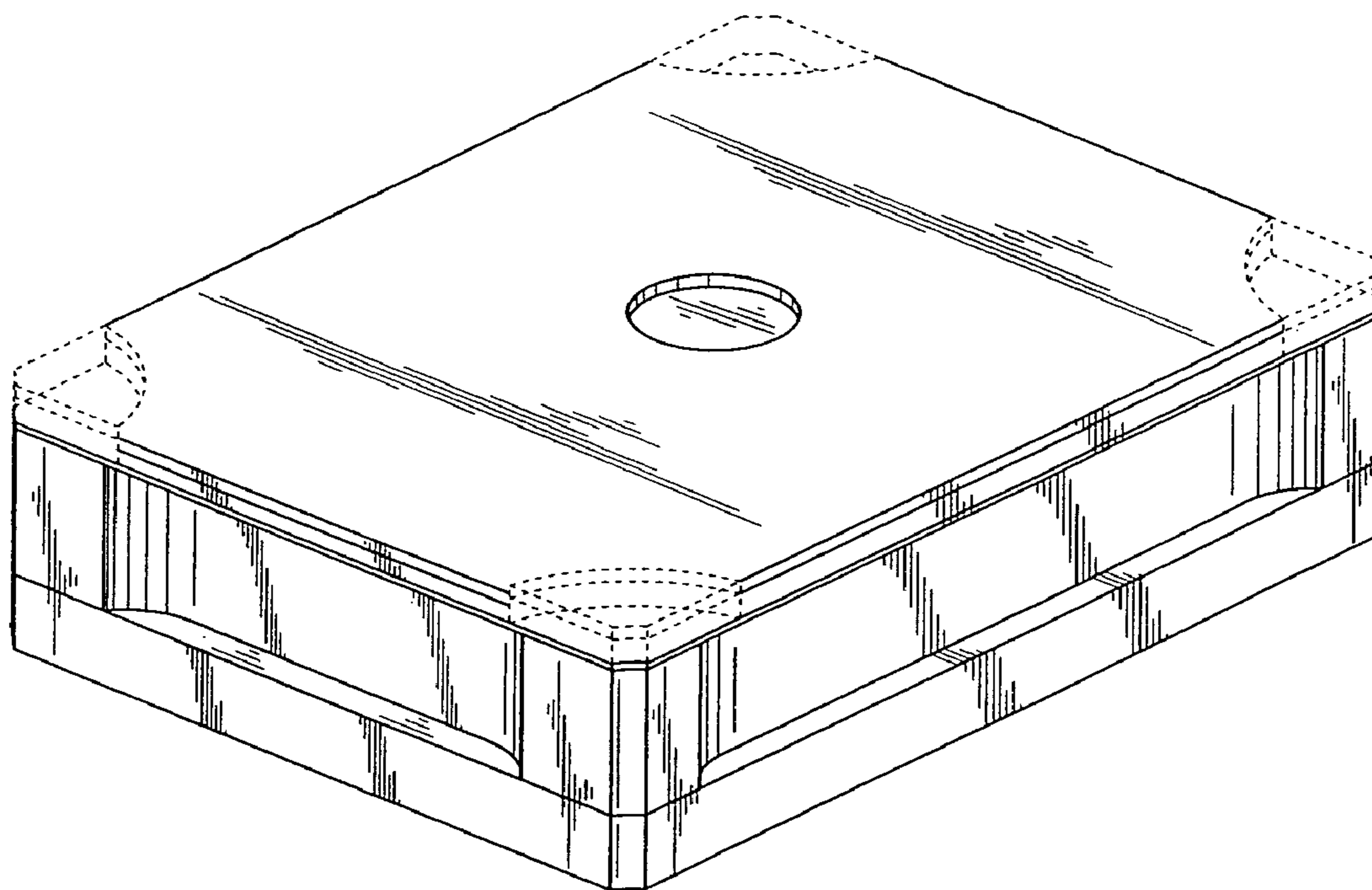


FIG. 2

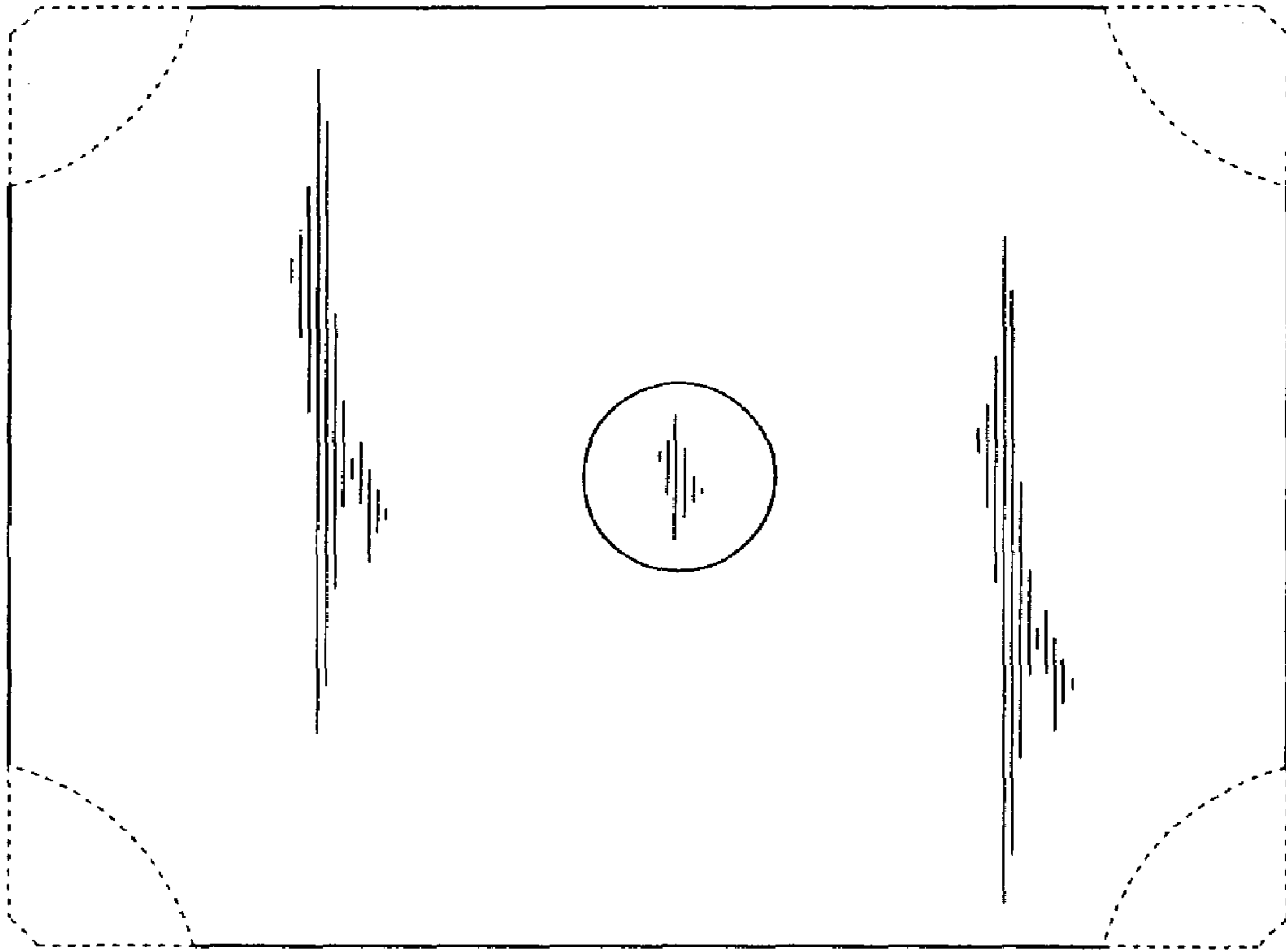


FIG. 3

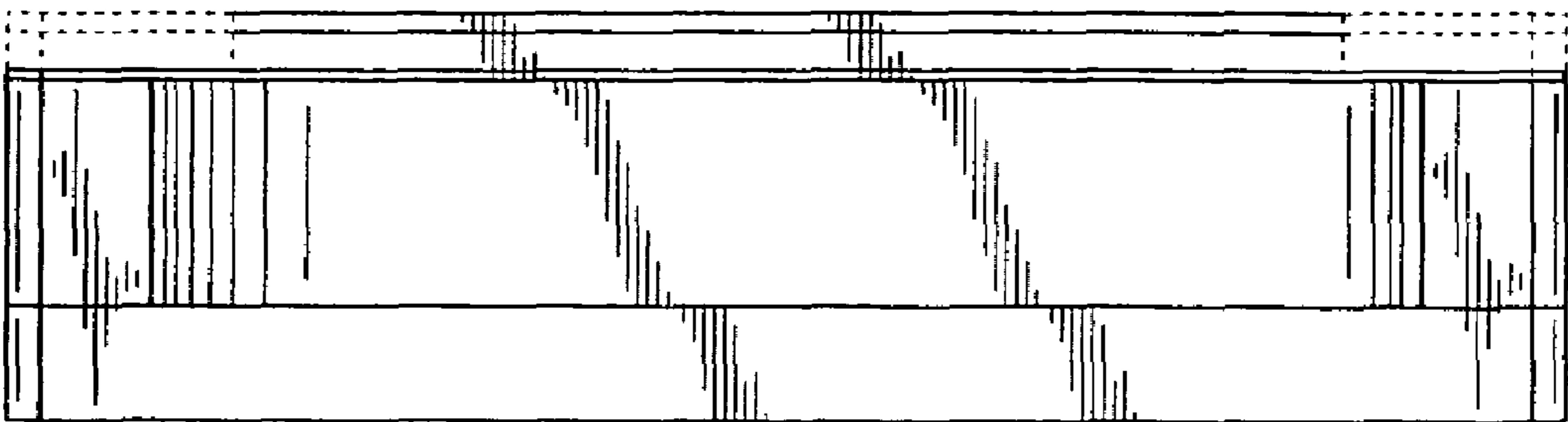


FIG. 4

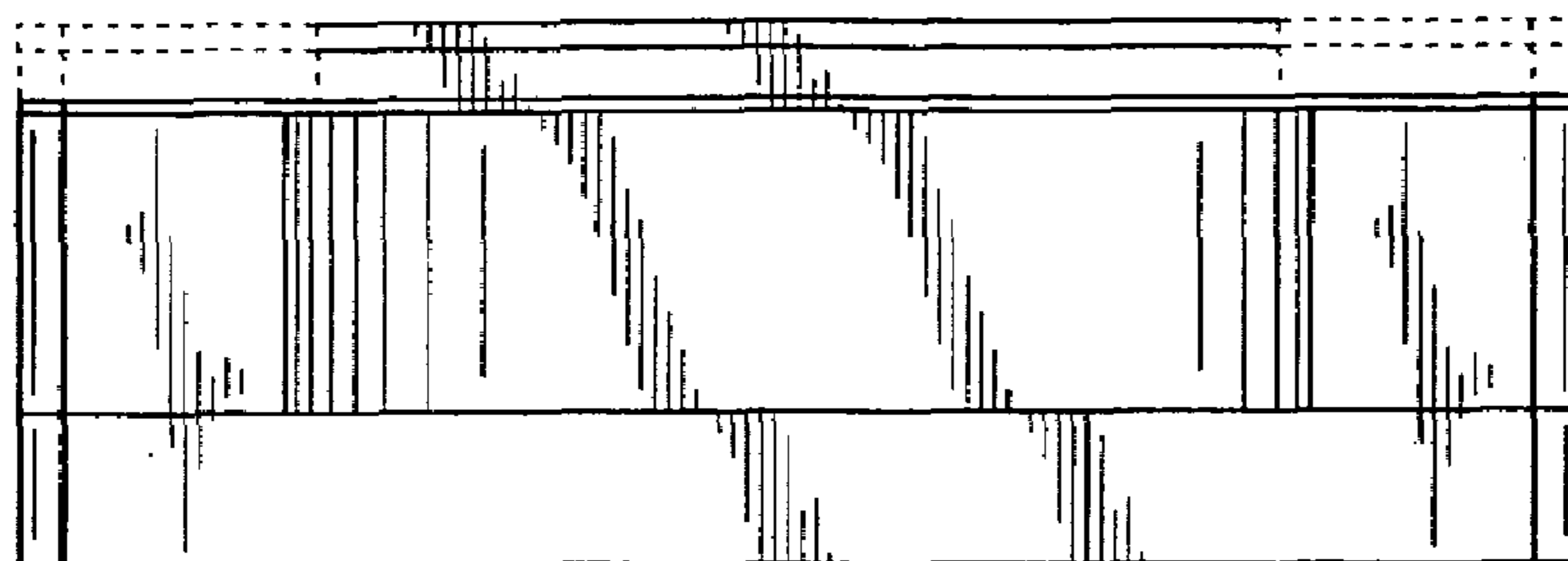


FIG. 5

