



US00D546271S

(12) **United States Design Patent**
Hanson et al.

(10) **Patent No.:** **US D546,271 S**
(45) **Date of Patent:** **** Jul. 10, 2007**

(54) **UNIVERSAL BAG WELL**

(75) Inventors: **Bradley J. Hanson**, North Augusta, SC (US); **Warren Clark**, Evans, GA (US)

(73) Assignee: **Textron Inc.**, Providence, RI (US)

(**) Term: **14 Years**

(21) Appl. No.: **29/246,907**

(22) Filed: **May 19, 2006**

(51) **LOC (8) Cl.** **12-16**

(52) **U.S. Cl.** **D12/426**

(58) **Field of Classification Search** D12/423-426, D12/414, 414.1; 211/187, 85.18; 108/110, 108/44; 224/498, 543, 275, 404, 539, 564, 224/925; 296/37.14, 191, 37.16, 37.5, 24.33
See application file for complete search history.

(56) **References Cited**

U.S. PATENT DOCUMENTS

D312,604 S *	12/1990	Barnes et al.	D12/425
5,025,935 A *	6/1991	Hadachek	211/85.18
D347,419 S *	5/1994	Jackson	D12/414.1
D372,016 S *	7/1996	Wolford	D12/414.1
D373,754 S *	9/1996	Pinterpe	D12/424
D373,990 S *	9/1996	Loehnis	D12/423
D376,578 S *	12/1996	Redford	D12/424
D397,322 S *	8/1998	Tobin	D12/414
D412,151 S *	7/1999	Ferrigan	D12/423

D450,291 S *	11/2001	Wang	D12/426
6,386,412 B1 *	5/2002	Konechne	224/543
D466,074 S *	11/2002	Hoy	D12/426
6,481,773 B1 *	11/2002	Salani et al.	296/37.16
D485,227 S *	1/2004	Graham	D12/426
6,676,185 B2 *	1/2004	Gehring et al.	296/37.5
6,682,118 B2 *	1/2004	Ryan	296/39.1
6,733,060 B1 *	5/2004	Pavkov et al.	296/37.16
D498,704 S	11/2004	Bonner et al.		
6,874,667 B2 *	4/2005	Dykstra et al.	224/498
7,090,274 B1 *	8/2006	Khan et al.	296/37.16
2004/0067360 A1	4/2004	Steenblik et al.		

* cited by examiner

Primary Examiner—Stacia Cadmus

(74) *Attorney, Agent, or Firm*—Harness, Dickey & Pierce, P.L.C.

(57) **CLAIM**

The ornamental design for a universal bag well, as shown and described.

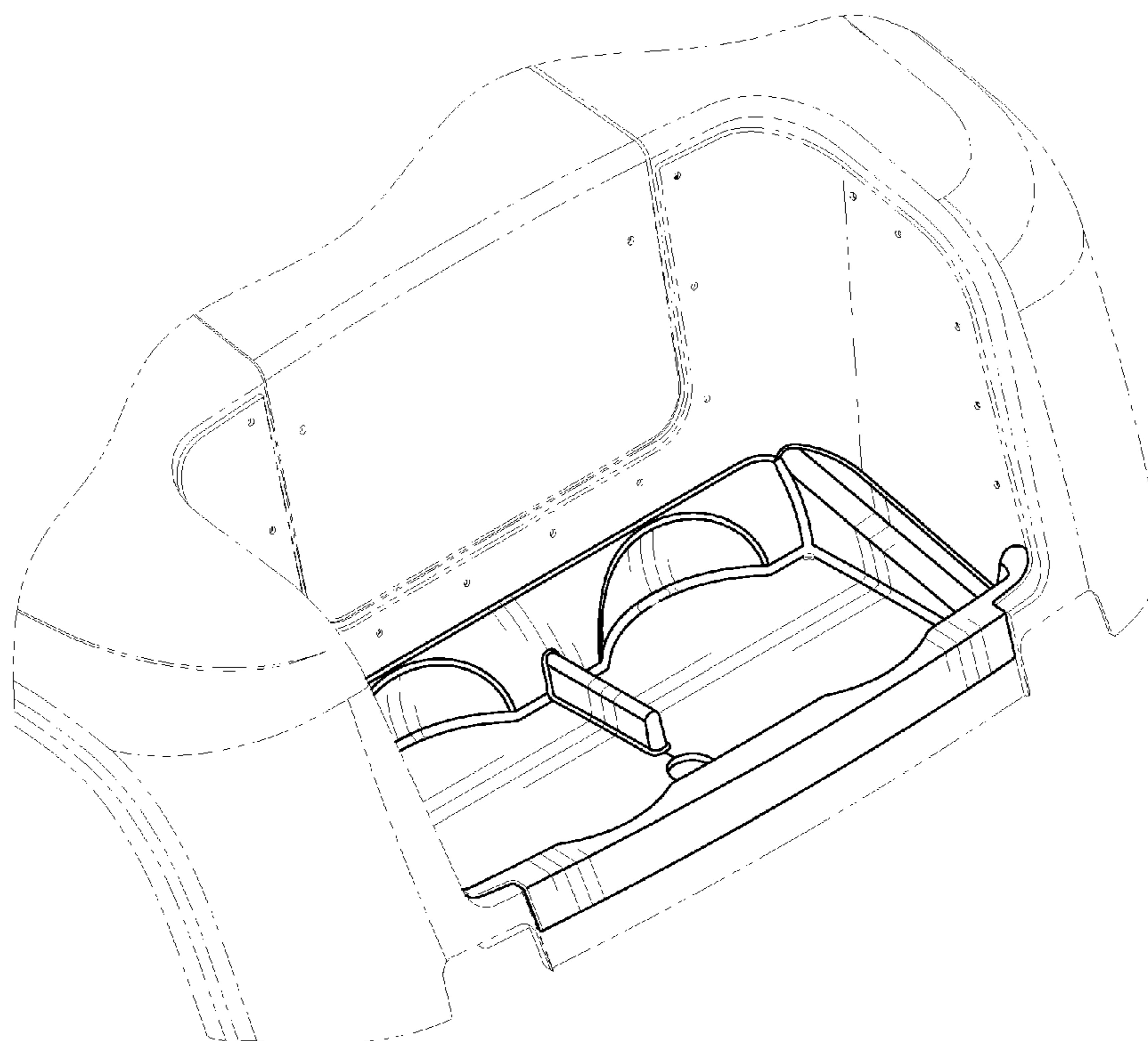
DESCRIPTION

FIG. 1 is a front perspective view of a universal bag well; and,

FIG. 2 is a top view thereof.

The lines shown in phantom are for illustrative purposes only and do not form part of the invention.

1 Claim, 1 Drawing Sheet



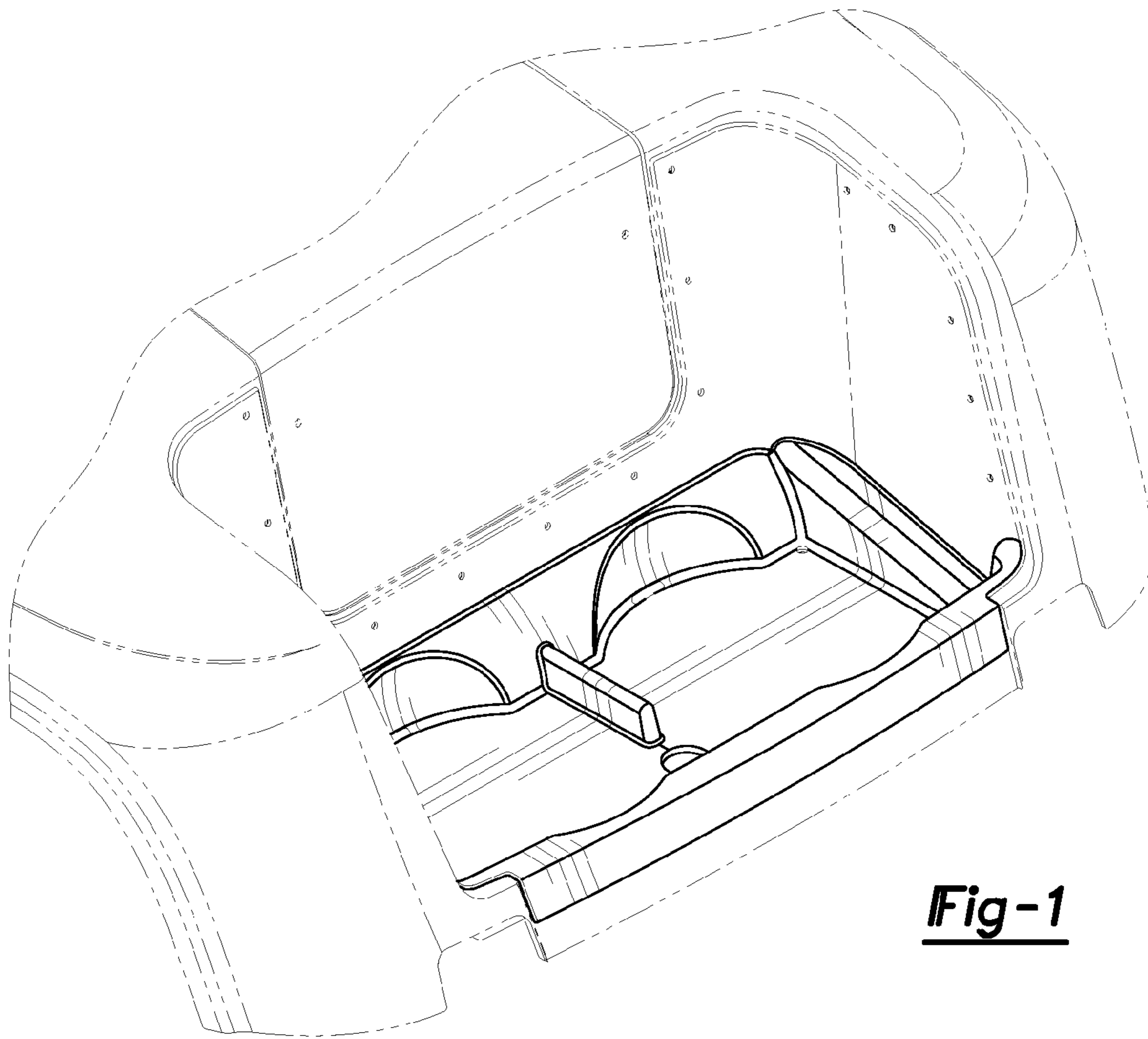


Fig-1

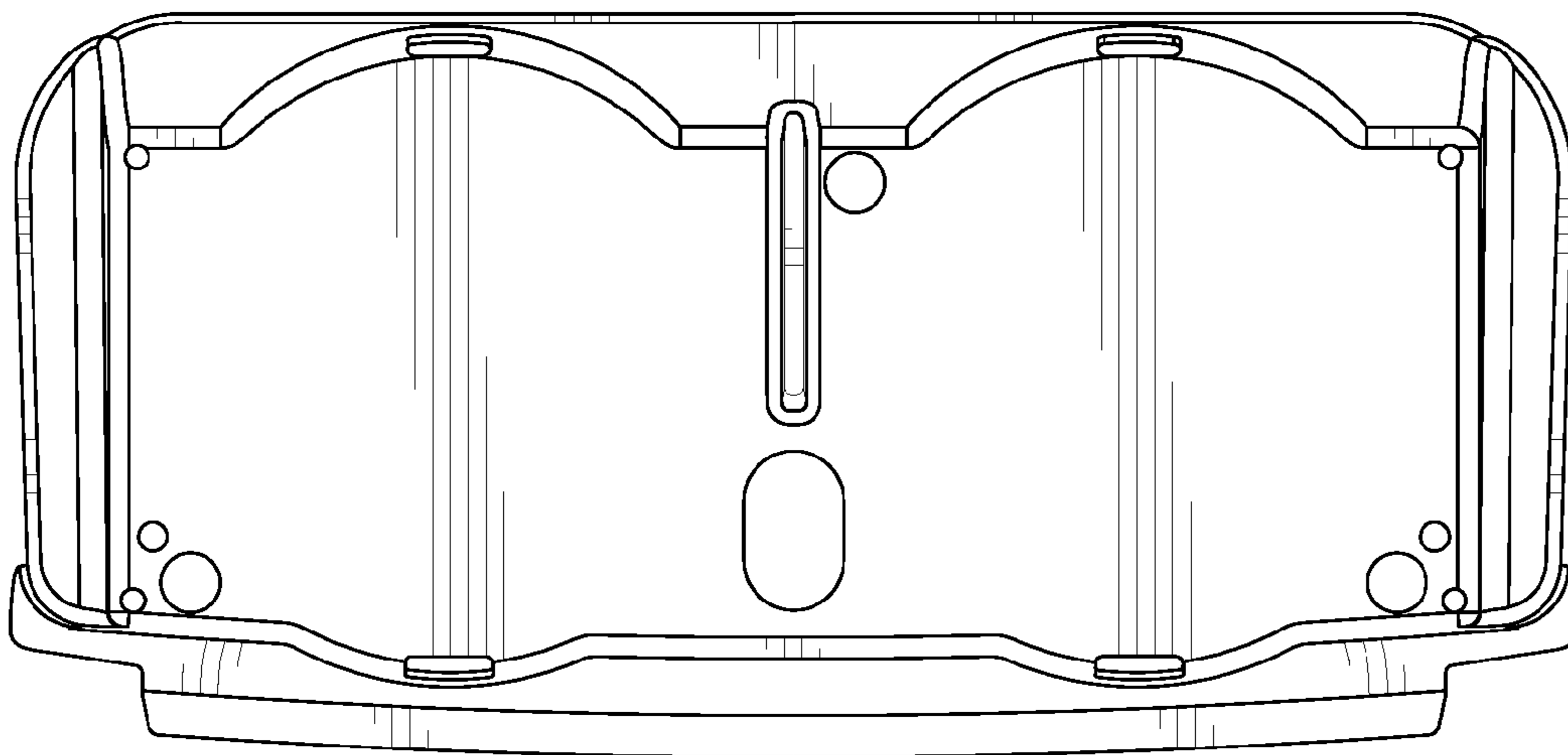


Fig-2