

US00D546269S

(12) **United States Design Patent** (10) **Patent No.:** **US D546,269 S**  
**Van de Rostyne et al.** (45) **Date of Patent:** **\*\* Jul. 10, 2007**

(54) **HELICOPTER PROPELLER**

(75) Inventors: **Alexander Jozef Magdalena Van de Rostyne**, Bornem (BE); **Chi Pok Billy Wai**, Quarry Bay (HK)

(73) Assignee: **Silverlit Toys Manufactory, Ltd.**, Hong Kong (HK)

(\*\*) Term: **14 Years**

(21) Appl. No.: **29/275,322**

(22) Filed: **Dec. 20, 2006**

**Related U.S. Application Data**

(63) Continuation-in-part of application No. 11/462,177, filed on Aug. 3, 2006, which is a continuation-in-part of application No. 11/465,781, filed on Aug. 18, 2006.

(30) **Foreign Application Priority Data**

Jan. 19, 2006 (BE) ..... 2006/0043

(51) **LOC (8) Cl.** ..... **12-07**

(52) **U.S. Cl.** ..... **D12/345; D21/453**

(58) **Field of Classification Search** ..... D12/326-329, D12/345; D21/441-442, 450, 453; 446/36-45, 446/230, 232; 244/17.11, 217.27

See application file for complete search history.

(56) **References Cited**

**U.S. PATENT DOCUMENTS**

1,403,909 A 1/1922 Moir  
1,773,281 A 8/1930 Scott  
D163,938 S 7/1951 Douglas  
D171,569 S 3/1954 Apostolescu  
D178,081 S 6/1956 Papadakos  
D294,605 S \* 3/1988 Matsumoto ..... D21/583  
5,240,204 A 8/1993 Kunz

D357,894 S 5/1995 Arnold et al.  
5,609,312 A 3/1997 Arlton et al.  
D388,048 S 12/1997 Collins et al.  
5,879,131 A 3/1999 Arlton et al.  
D421,279 S \* 2/2000 Tsai ..... D21/442  
6,039,541 A 3/2000 Parker et al.  
D425,853 S \* 5/2000 Caporaletti ..... D12/327  
D467,861 S 12/2002 Lee  
6,659,721 B1 12/2003 Parker et al.  
6,884,034 B1 4/2005 Parker et al.  
6,929,215 B2 8/2005 Arlton et al.  
D524,229 S \* 7/2006 Stille et al. .... D12/327  
2006/0231677 A1 10/2006 Zimet et al.

**FOREIGN PATENT DOCUMENTS**

JP 2005193905 A 7/2005  
JP 2004121798 A 12/2006

\* cited by examiner

*Primary Examiner*—Ian Simmons

*Assistant Examiner*—Maurice Stevens

(74) *Attorney, Agent, or Firm*—Greenberg Traurig, LLP

(57) **CLAIM**

The ornamental design for a helicopter propeller, as shown and described.

**DESCRIPTION**

FIG. 1 is a top view of a helicopter propeller;

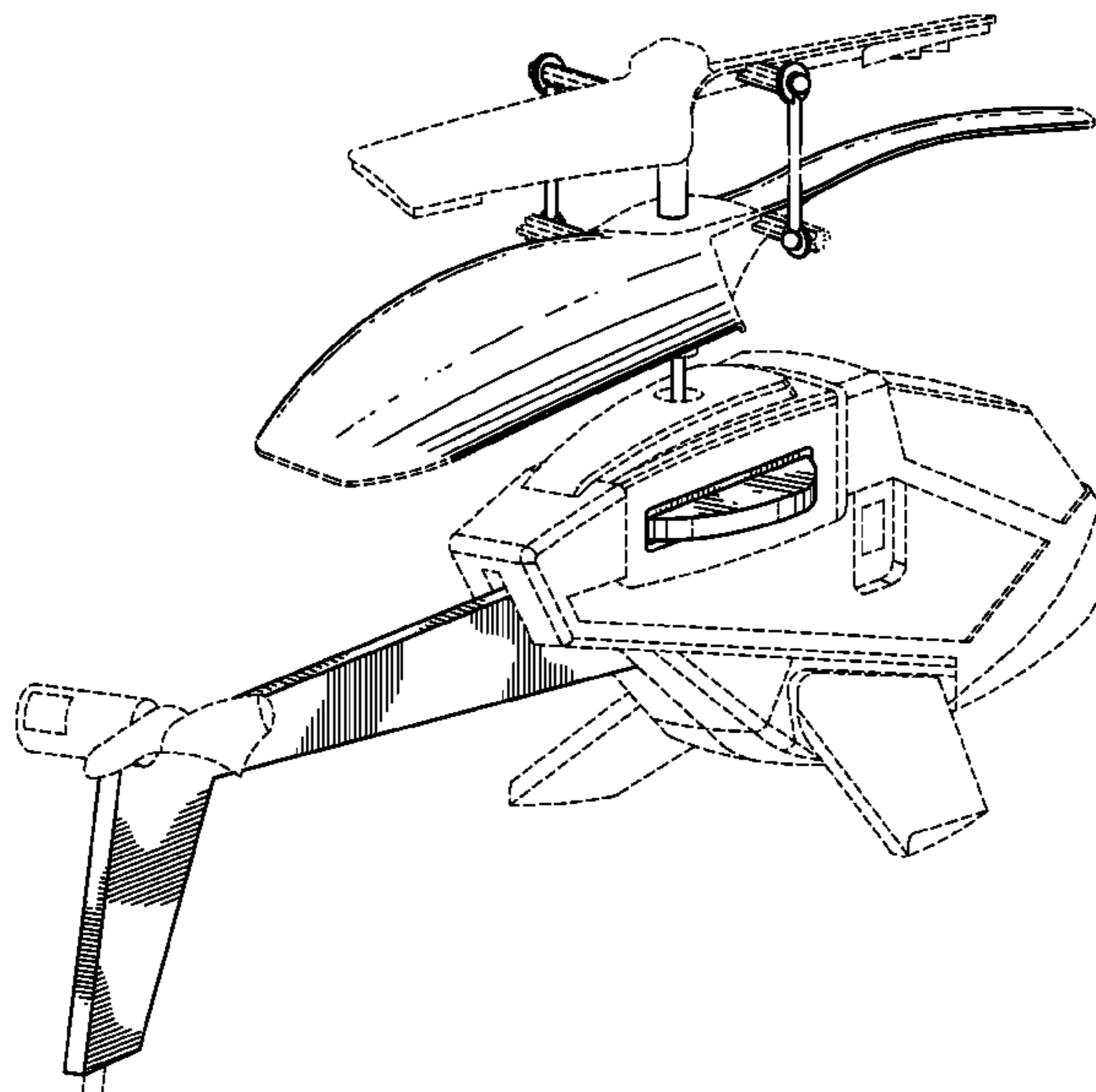
FIG. 2 is a side view of the helicopter propeller;

FIG. 3 is a perspective side view of the helicopter propeller; and,

FIG. 4 is an opposite perspective side view of the helicopter propeller.

Broken lines are for illustrative purposes only and form no part of the claimed design.

**1 Claim, 4 Drawing Sheets**



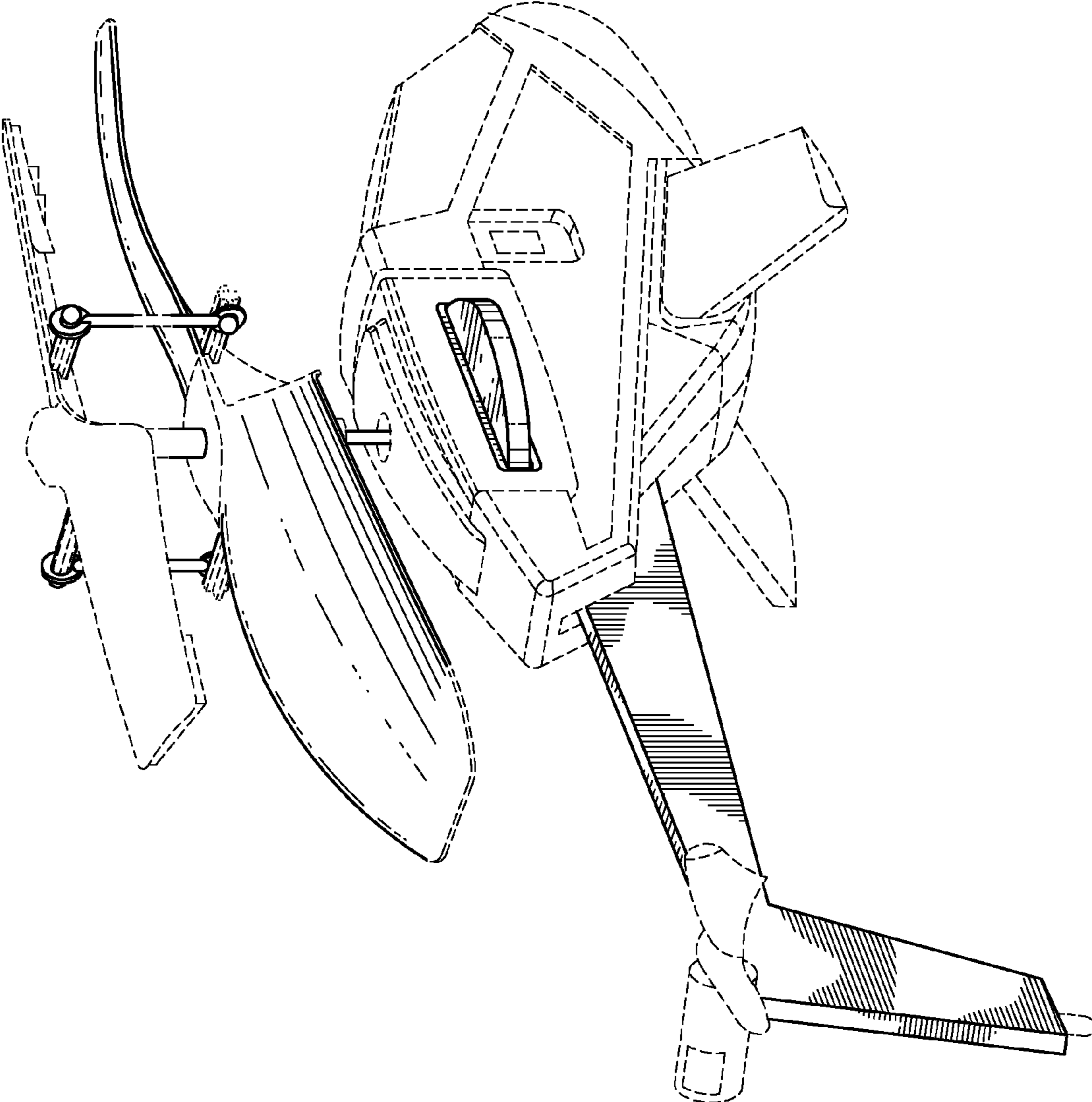


FIG. 1

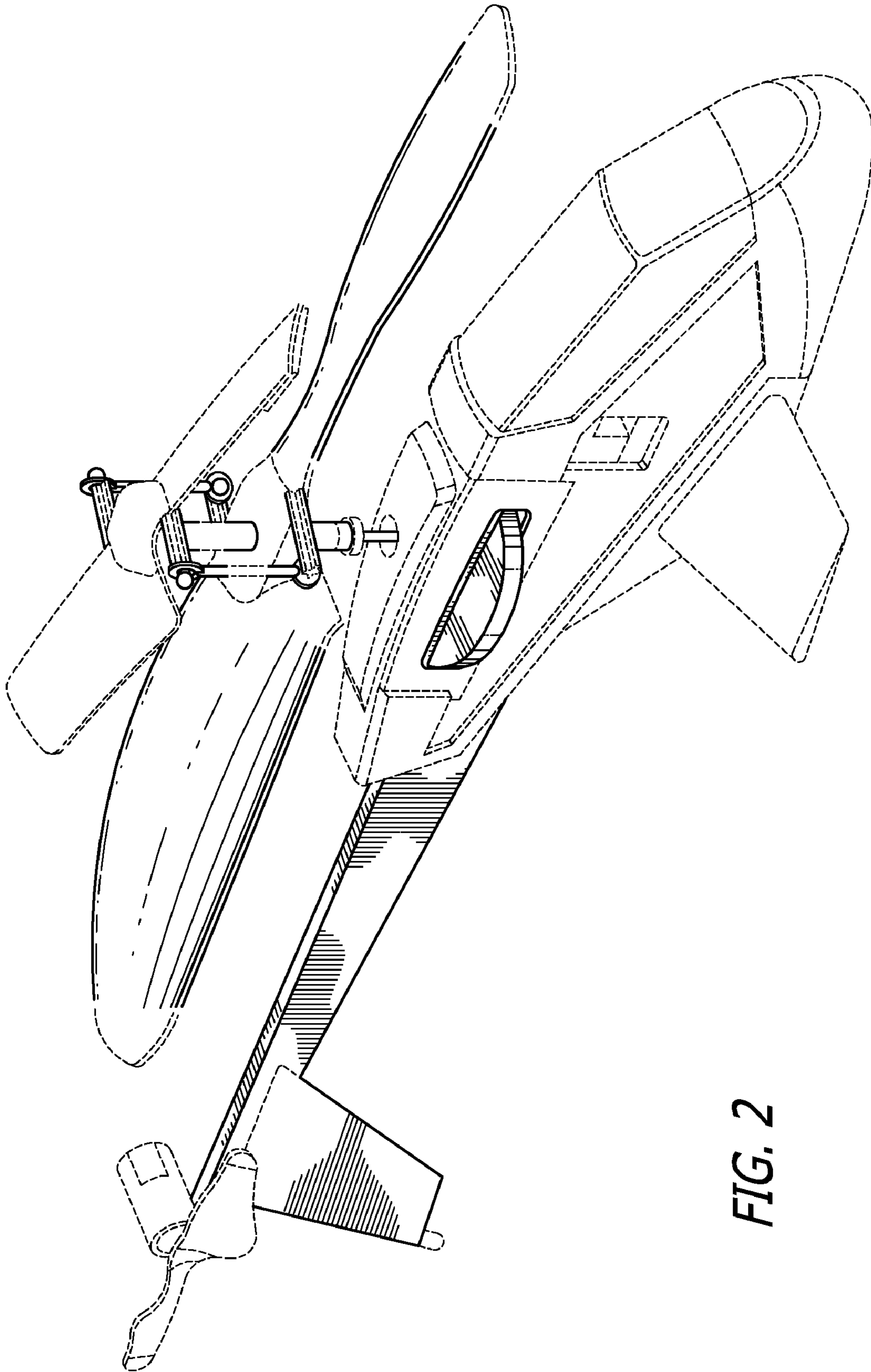


FIG. 2

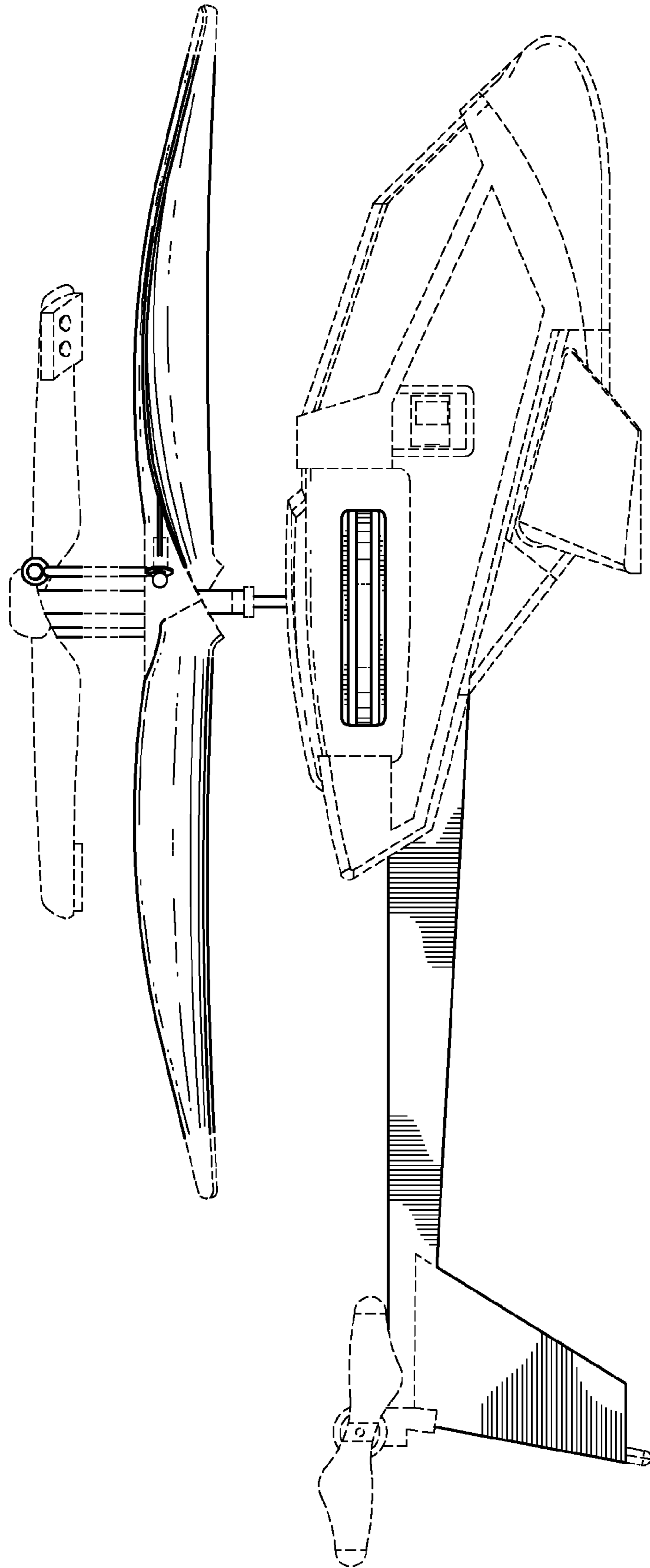


FIG. 3

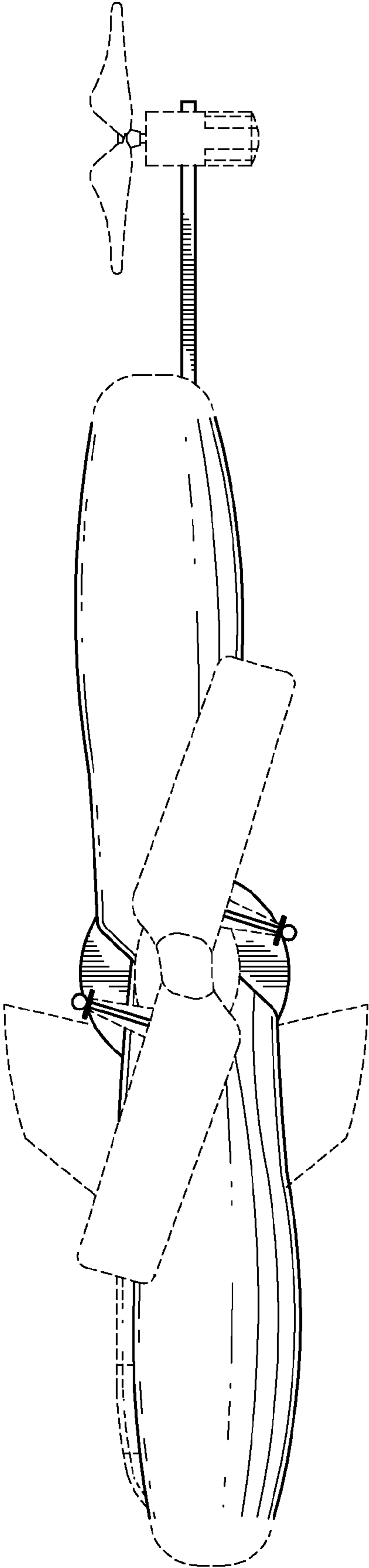


FIG. 4

UNITED STATES PATENT AND TRADEMARK OFFICE  
**CERTIFICATE OF CORRECTION**

PATENT NO. : Des. 546,269 S  
APPLICATION NO. : 29/275322  
DATED : July 10, 2007  
INVENTOR(S) : Alexander Jozef Magdalena Van De Rostyne et al.

Page 1 of 1

It is certified that error appears in the above-identified patent and that said Letters Patent is hereby corrected as shown below:

On the title page Descriptions "Description", at line 1, please delete "1" and insert --4-- therefor.

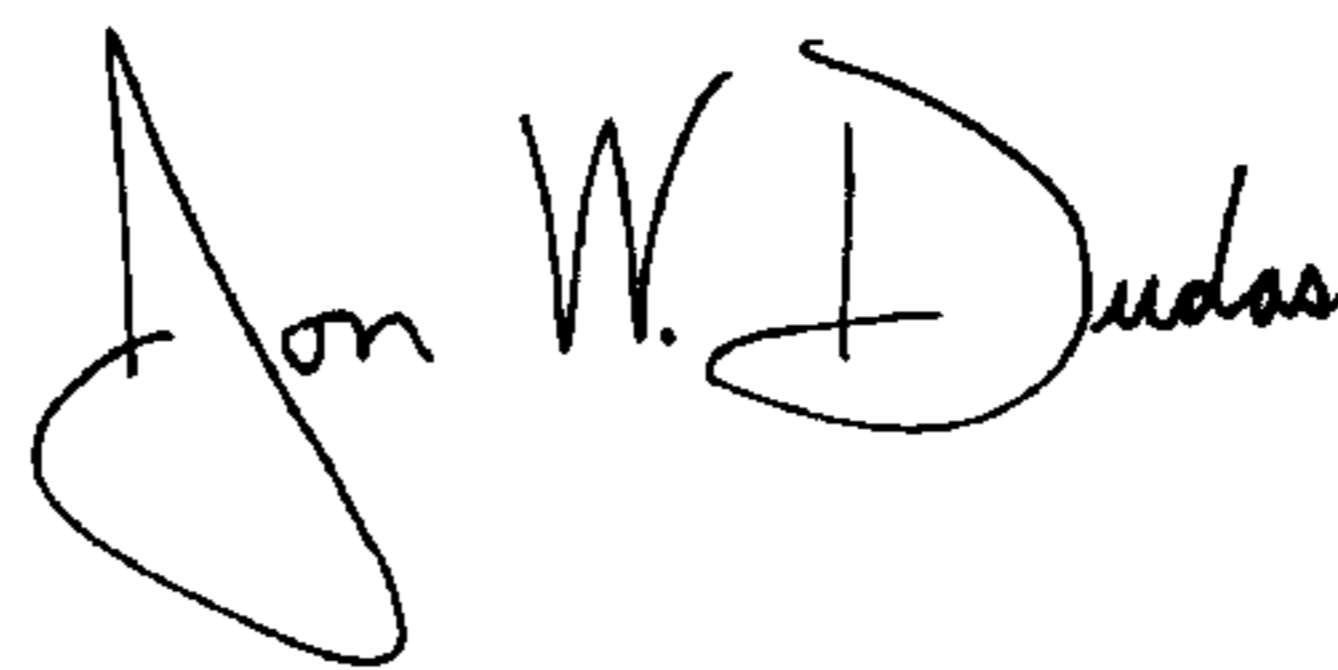
On the title page Descriptions "Description", at line 2, please delete "2" and insert --3-- therefor.

On the title page Descriptions "Description", at line 3, please delete "3" and insert --1-- therefor.

On the title page Descriptions "Description", at line 4, please delete "4" and insert --2-- therefor.

Signed and Sealed this

Twelfth Day of February, 2008



JON W. DUDAS

*Director of the United States Patent and Trademark Office*