



US00D546266S

(12) **United States Design Patent**  
**Young**

(10) **Patent No.:** **US D546,266 S**

(45) **Date of Patent:** **\*\* Jul. 10, 2007**

(54) **AUTOMOTIVE WHEEL**

(75) Inventor: **Philip B. Young**, Industry, CA (US)

(73) Assignee: **Master Pacific**, Shanghai (CN)

(\*\*) Term: **14 Years**

(21) Appl. No.: **29/270,352**

(22) Filed: **Dec. 21, 2006**

(51) **LOC (8) Cl.** ..... **12-16**

(52) **U.S. Cl.** ..... **D12/211**

(58) **Field of Classification Search** ..... D12/204-213;  
301/37.101, 64.101, 65

See application file for complete search history.

(56) **References Cited**

U.S. PATENT DOCUMENTS

D461,440 S *	8/2002	Koch	.....	D12/211
D500,277 S *	12/2004	Kataoka	.....	D12/209
D509,175 S *	9/2005	Marji	.....	D12/209
D519,905 S *	5/2006	Muzzarelli	.....	D12/209
D520,433 S *	5/2006	Hosoi	.....	D12/211
D527,334 S *	8/2006	Hettler	.....	D12/211

D528,960 S *	9/2006	Kim	.....	D12/211
D530,258 S *	10/2006	Schell	.....	D12/211
D531,104 S *	10/2006	Kim	.....	D12/209
D531,567 S *	11/2006	Walbey, Jr.	.....	D12/211
D532,735 S *	11/2006	Looho	.....	D12/209
D532,738 S *	11/2006	Ettensberger	.....	D12/211
D534,474 S *	1/2007	Kim	.....	D12/211

\* cited by examiner

*Primary Examiner*—Stacia Cadmus

(57) **CLAIM**

The ornamental design for an automotive wheel, as shown and described.

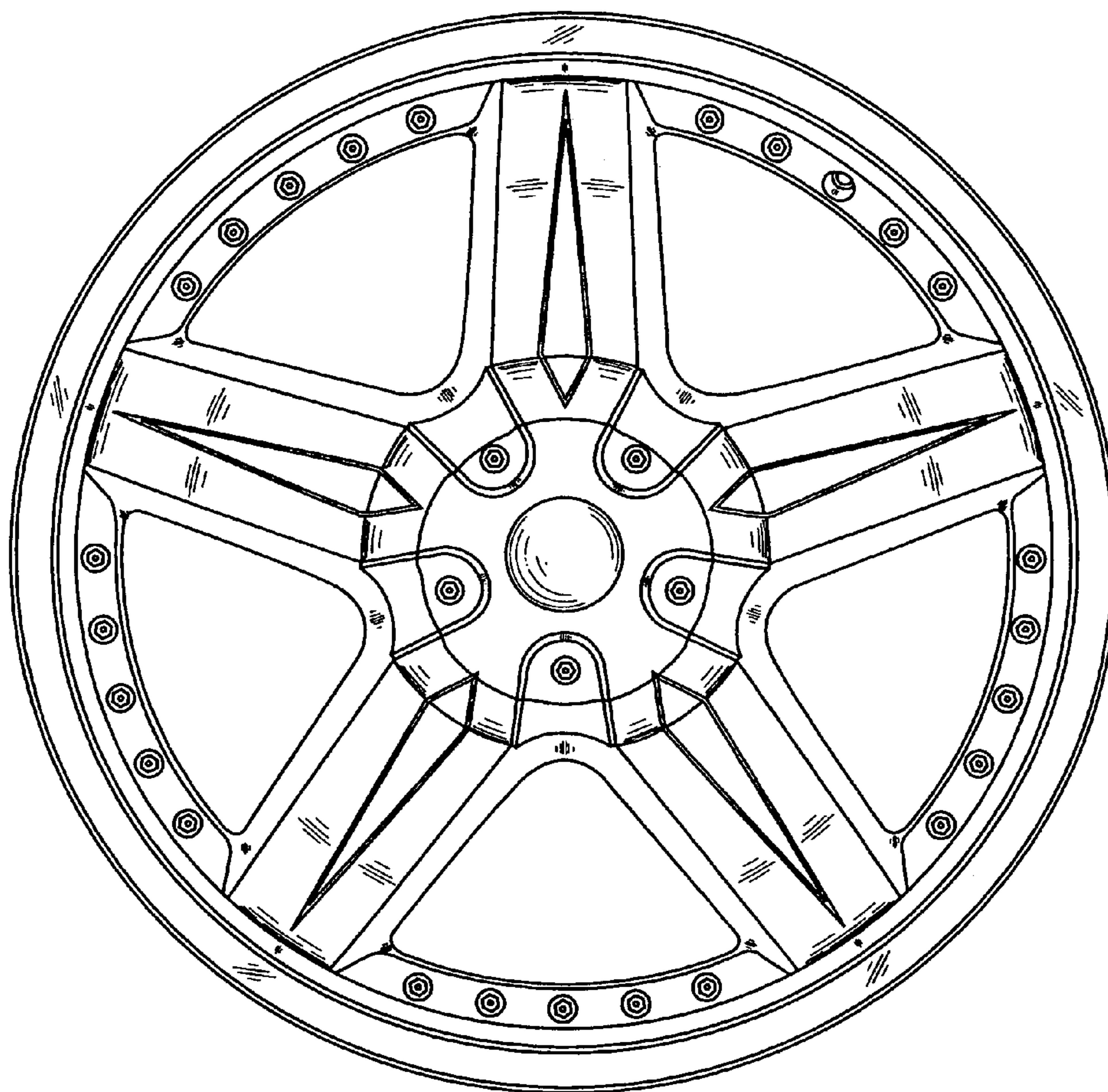
**DESCRIPTION**

FIG. 1 is a perspective view of an automotive wheel showing my new design; and,

FIG. 2 is a front elevational view of an automotive wheel showing the design herein described.

The broken lines showing the environment are for illustrative purposes only, and form no part of the claimed design.

**1 Claim, 2 Drawing Sheets**



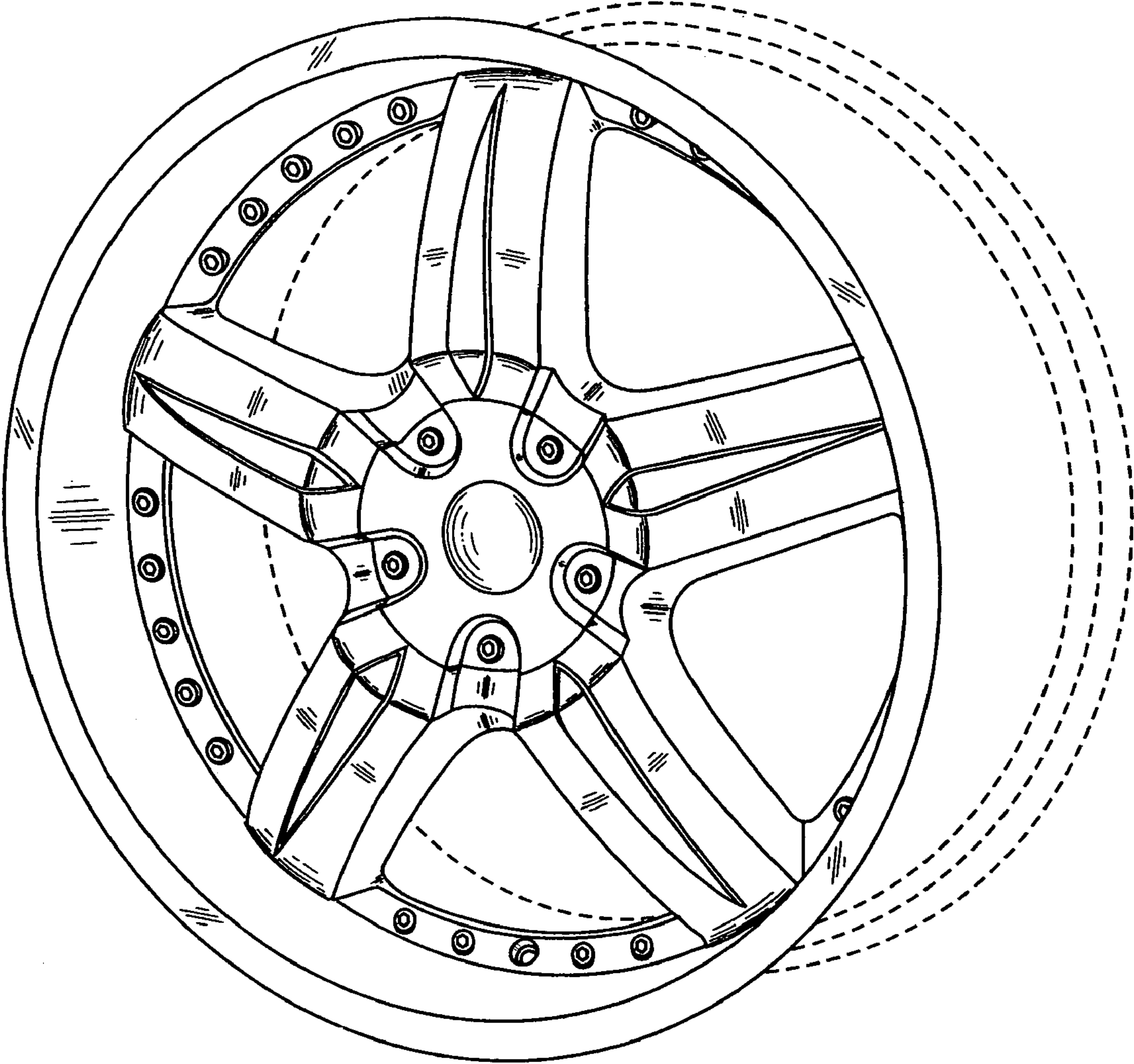


Fig. 1



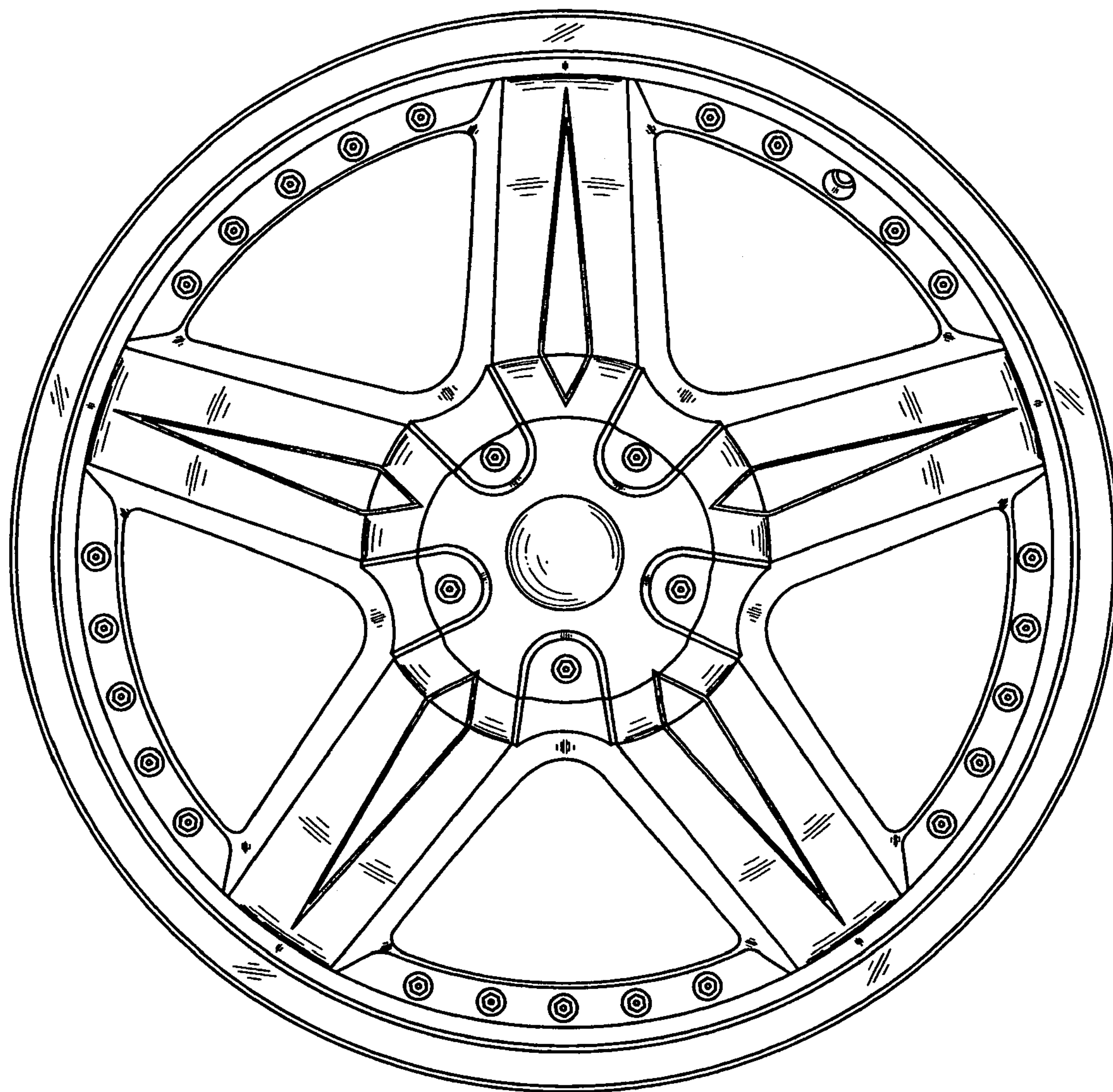


Fig. 2