



US00D546265S

(12) **United States Design Patent**
Young

(10) **Patent No.:** **US D546,265 S**

(45) **Date of Patent:** **** Jul. 10, 2007**

(54) **AUTOMOTIVE WHEEL**

(75) Inventor: **Philip B. Young**, Industry, CA (US)

(73) Assignee: **Master Pacific**, Shanghai (CN)

(**) Term: **14 Years**

(21) Appl. No.: **29/269,997**

(22) Filed: **Dec. 14, 2006**

(51) **LOC (8) Cl.** **12-16**

(52) **U.S. Cl.** **D12/211**

(58) **Field of Classification Search** D12/204-213;
301/37.101, 64.101, 65

See application file for complete search history.

(56) **References Cited**

U.S. PATENT DOCUMENTS

D258,503 S *	3/1981	Semple	D12/211
D451,463 S *	12/2001	Murkett et al.	D12/209
D456,333 S *	4/2002	Pollmann	D12/211
D459,688 S *	7/2002	Wiesinger	D12/211
D466,854 S *	12/2002	Kern	D12/211
D475,337 S *	6/2003	Kataoka	D12/209

D494,917 S *	8/2004	Pollmann	D12/211
D495,289 S *	8/2004	Kataoka	D12/211
D497,866 S *	11/2004	Walbey, Jr.	D12/209
D499,371 S *	12/2004	Koch	D12/211
D513,222 S *	12/2005	Pohanka	D12/211
D526,264 S *	8/2006	Marji	D12/209
D535,241 S *	1/2007	Kim	D12/211

* cited by examiner

Primary Examiner—Stacia Cadmus

(57) **CLAIM**

The ornamental design for an automotive wheel, as shown and described.

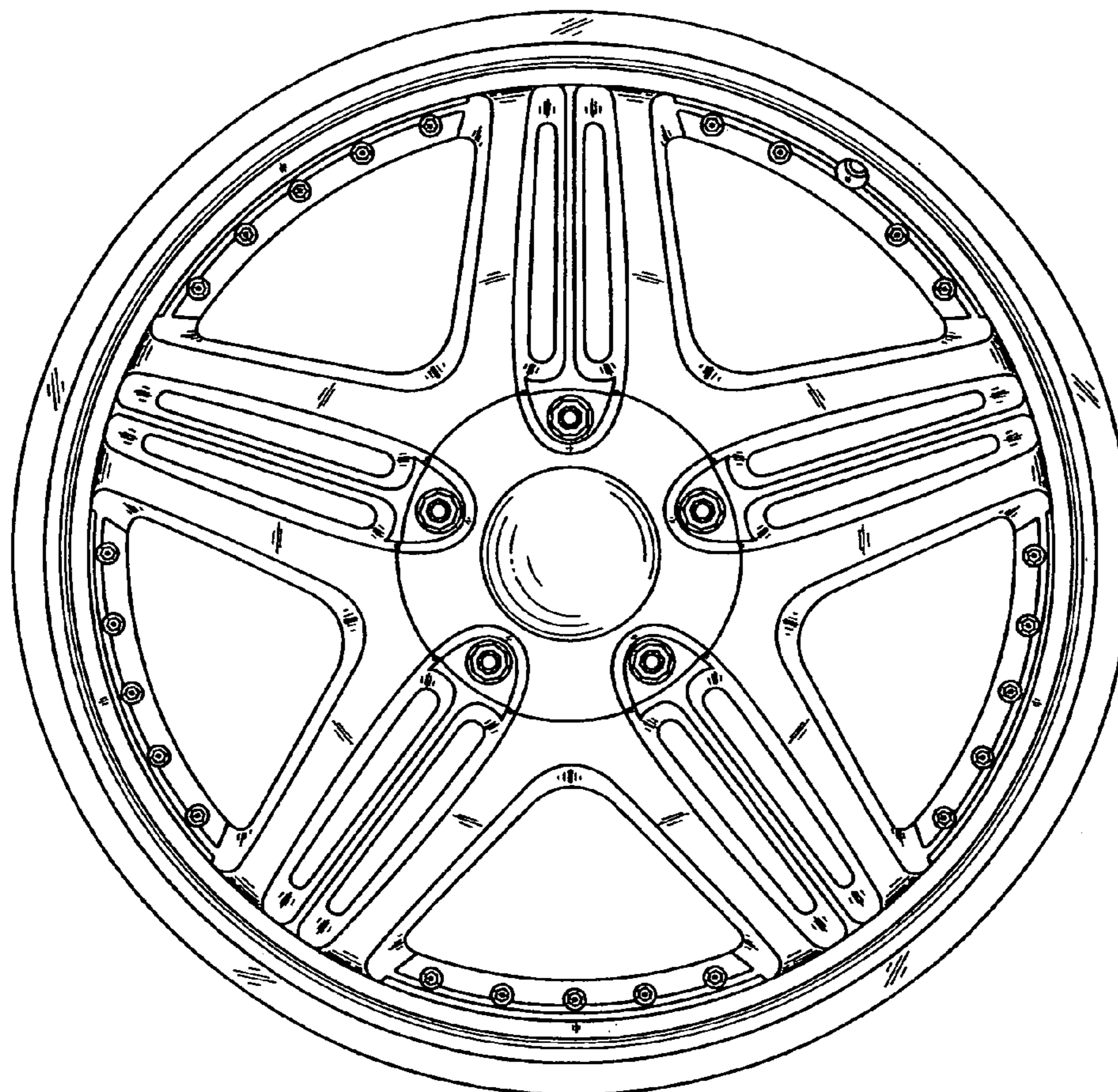
DESCRIPTION

FIG. 1 is a perspective view of an automotive wheel showing my new design; and,

FIG. 2 is a front elevational view of an automotive wheel showing the design herein described.

The broken lines showing the environment are for illustrative purposes only, and form no part of the claimed design.

1 Claim, 2 Drawing Sheets



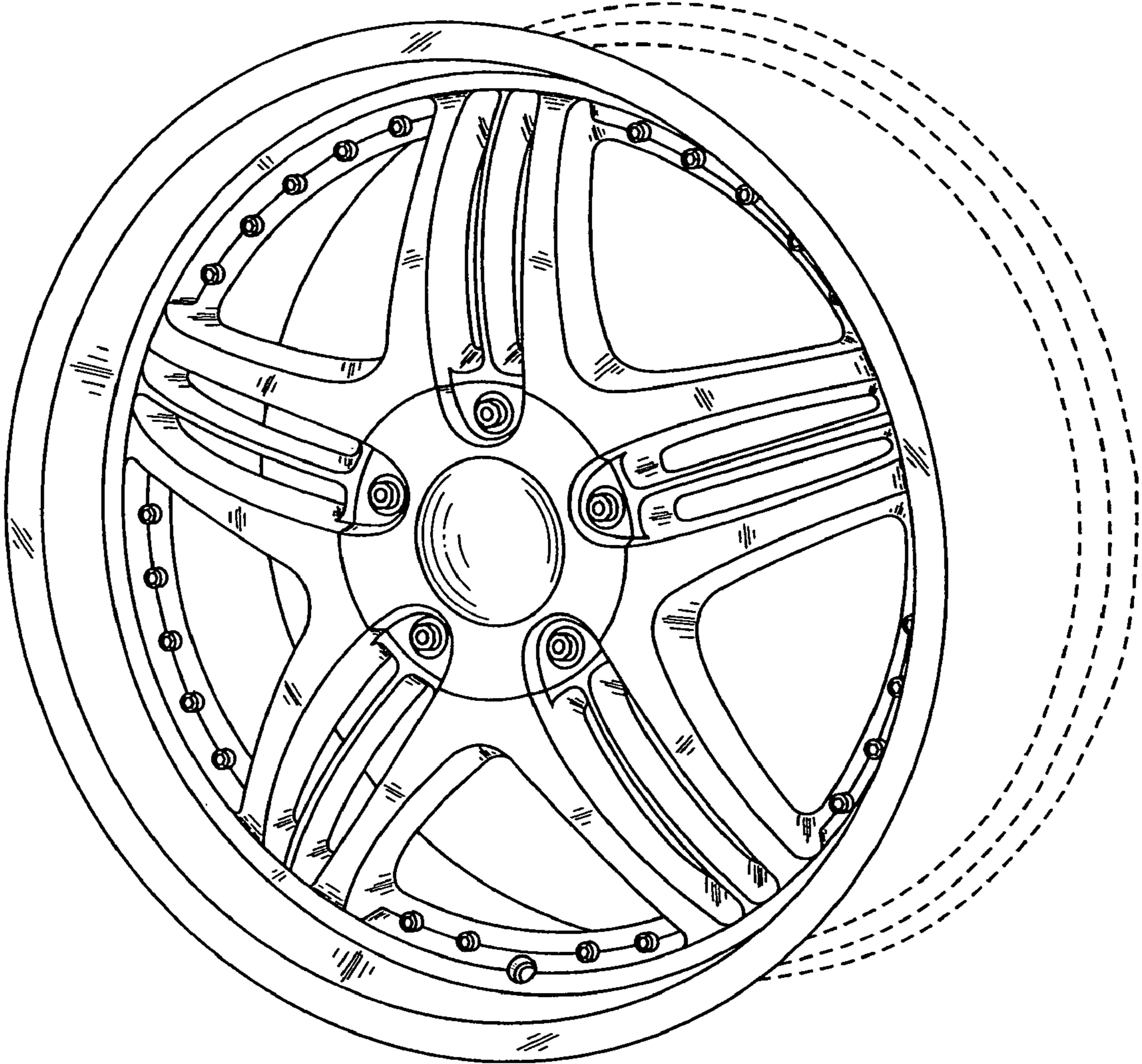


Fig. 1

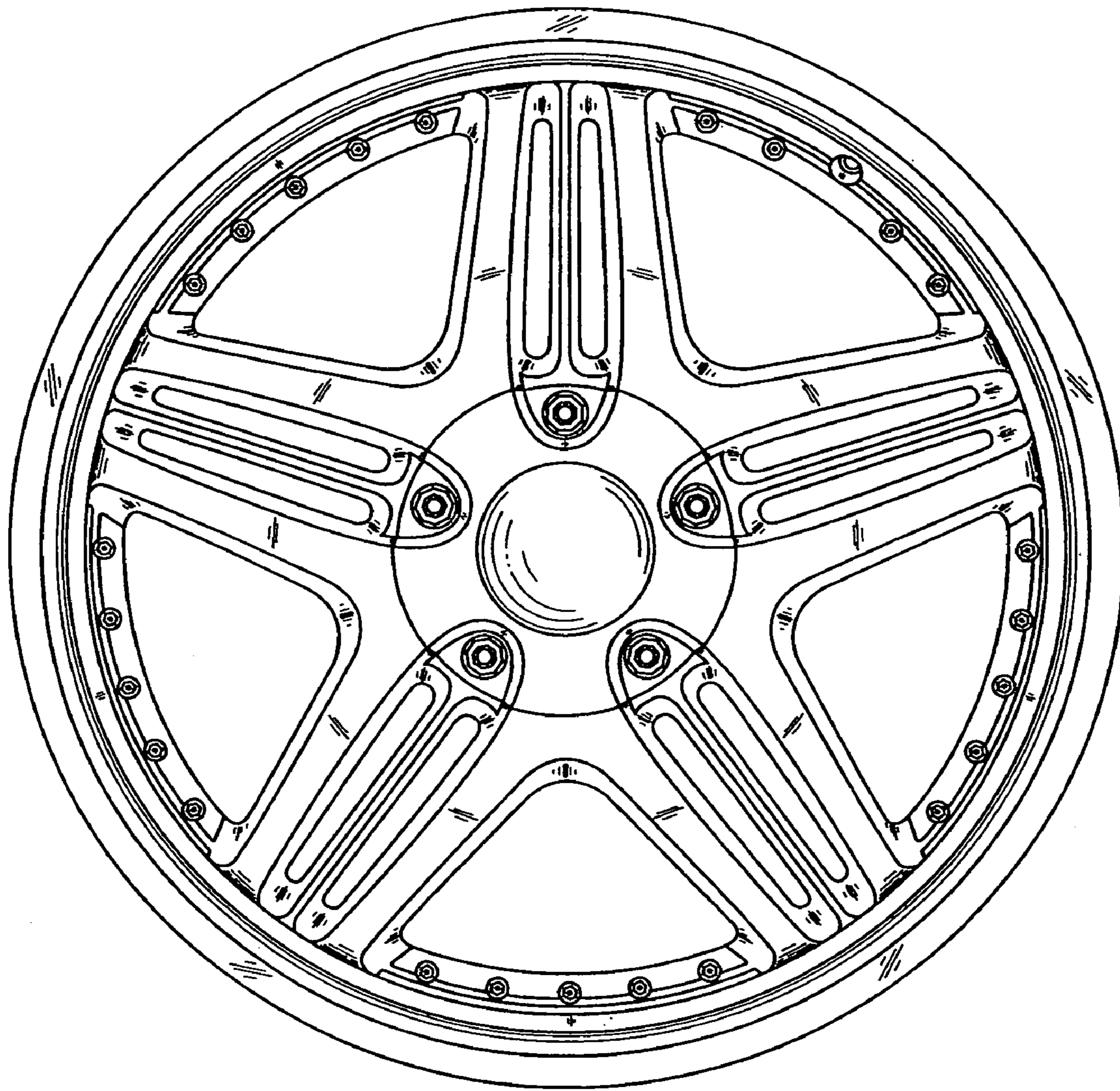


Fig. 2