

US00D546260S

(12) **United States Design Patent**
Aoki

(10) **Patent No.:** **US D546,260 S**

(45) **Date of Patent:** **** Jul. 10, 2007**

(54) **WHEEL**

D453,724 S * 2/2002 Hodges D12/209
D477,800 S * 7/2003 Brown et al. D12/209

(75) Inventor: **Masafumi Aoki**, Toyota (JP)

OTHER PUBLICATIONS

(73) Assignee: **Kosei Aluminum Co., Ltd.**, Toyota, Aichi (JP)

Kosei Company Profile—Working in Harmony with the Environment—circa. 2003.

(**) Term: **14 Years**

* cited by examiner

(21) Appl. No.: **29/212,806**

Primary Examiner—Stacia Cadmus

(22) Filed: **Sep. 8, 2004**

(74) *Attorney, Agent, or Firm*—Cook, Alex, McFarron, Manzo, Cummings & Mehler Ltd.

(51) **LOC (8) Cl.** **12-16**

(52) **U.S. Cl.** **D12/209**

(58) **Field of Classification Search** D12/204–213;
301/37.101, 64.101, 65

See application file for complete search history.

(57) **CLAIM**

The ornamental design for a wheel, as shown and described.

(56) **References Cited**

DESCRIPTION

U.S. PATENT DOCUMENTS

D364,844 S	*	12/1995	Chien	D12/209
D391,544 S	*	3/1998	Noriega	D12/209
D403,647 S	*	1/1999	Rotundo	D12/209
D406,090 S	*	2/1999	Nishida	D12/209
D406,091 S	*	2/1999	Nishida	D12/209
D415,462 S	*	10/1999	Hussaini et al.	D12/209
D418,796 S	*	1/2000	Flueckiger	D12/209
D419,515 S	*	1/2000	Brown	D12/209
D426,803 S	*	6/2000	Brown et al.	D12/209
D444,755 S	*	7/2001	Azuma et al.	D12/209

FIG. 1 is a front perspective view of a wheel showing the new design;

FIG. 2 is a front elevational view thereof;

FIG. 3 is a top plan view thereof, the bottom plan view being identical thereto;

FIG. 4 is a front perspective view of a second embodiment of a wheel showing the new design;

FIG. 5 is a front elevational view thereof; and,

FIG. 6 is a top plan view thereof, the bottom plan view being identical thereto.

1 Claim, 4 Drawing Sheets

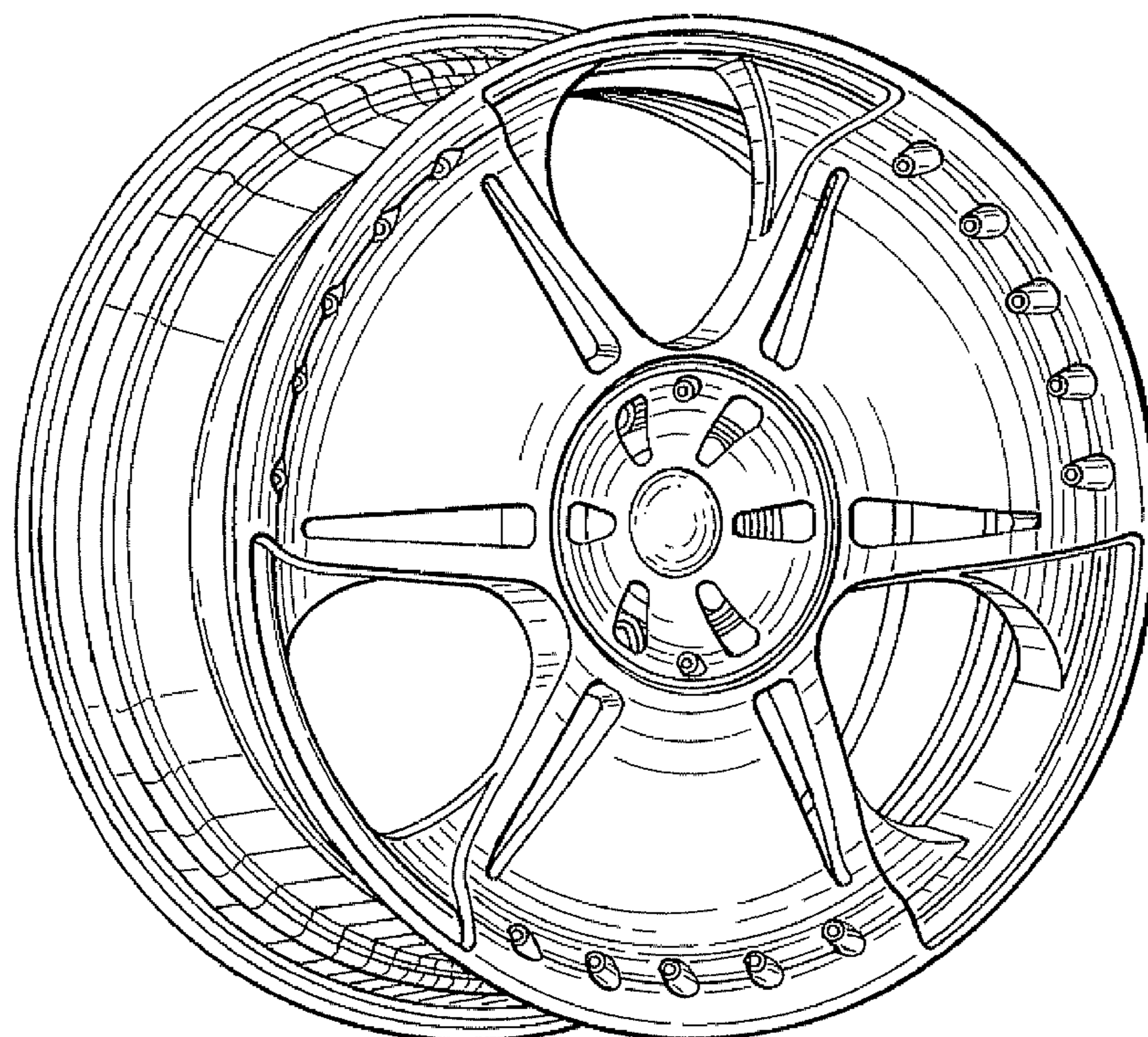
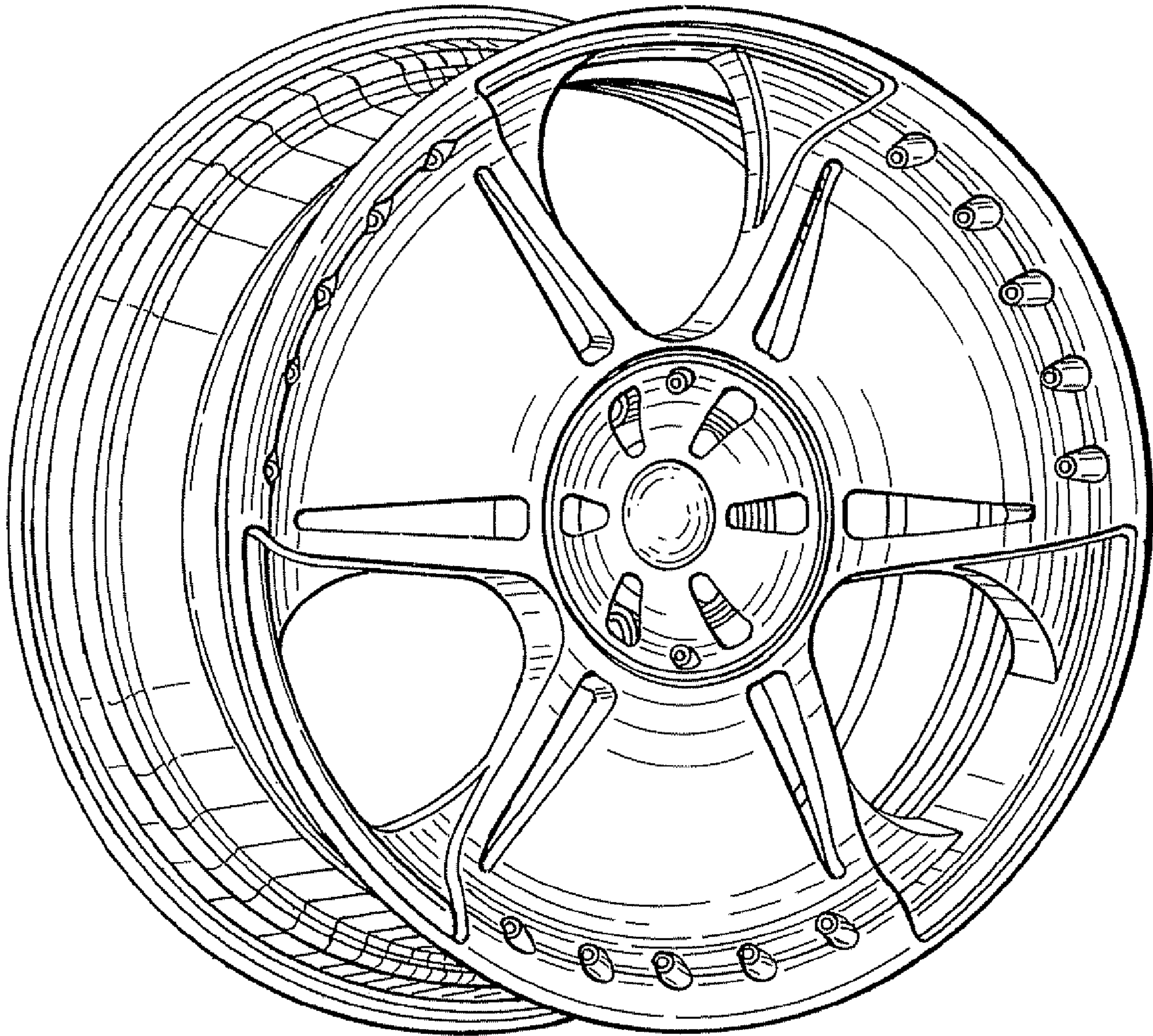


FIG. 1



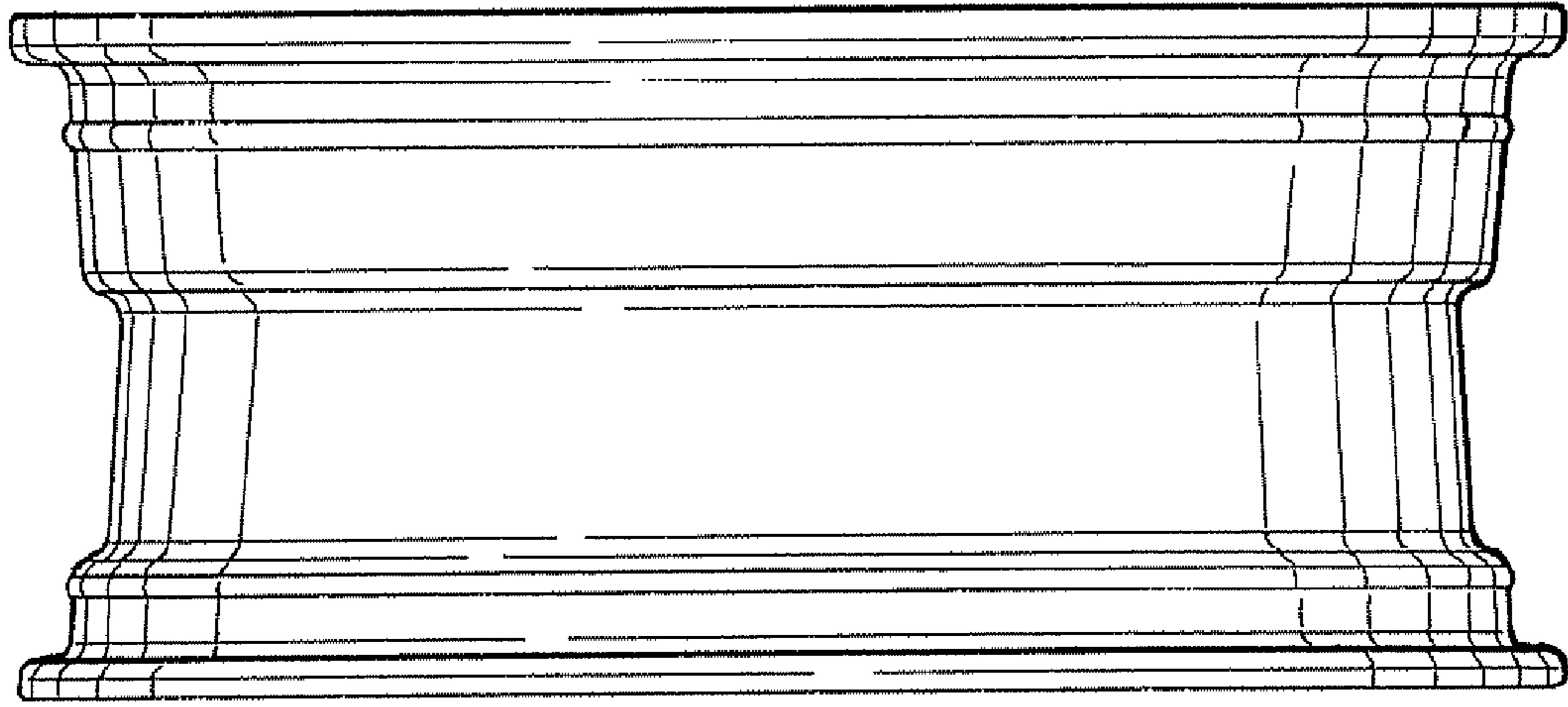


FIG.3

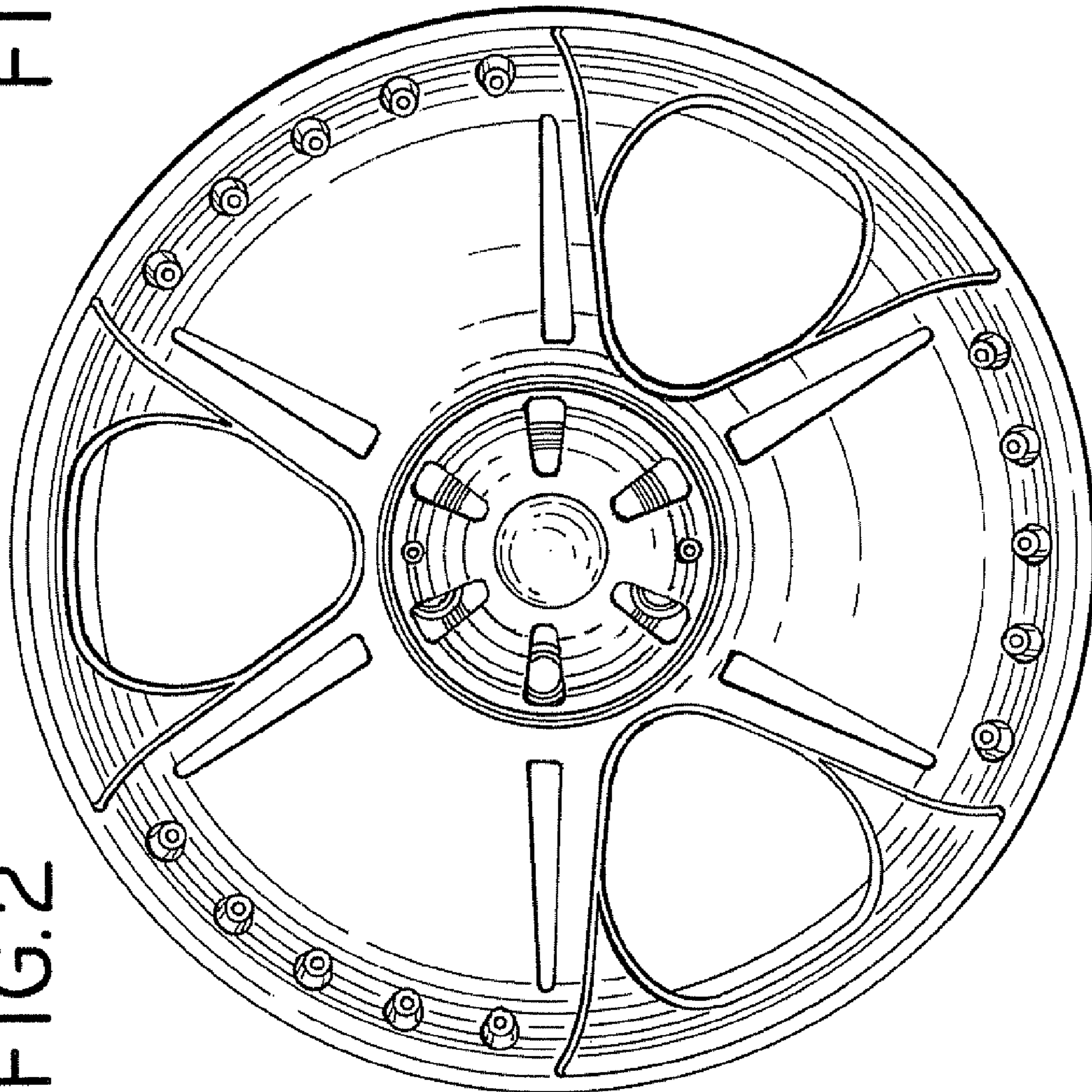
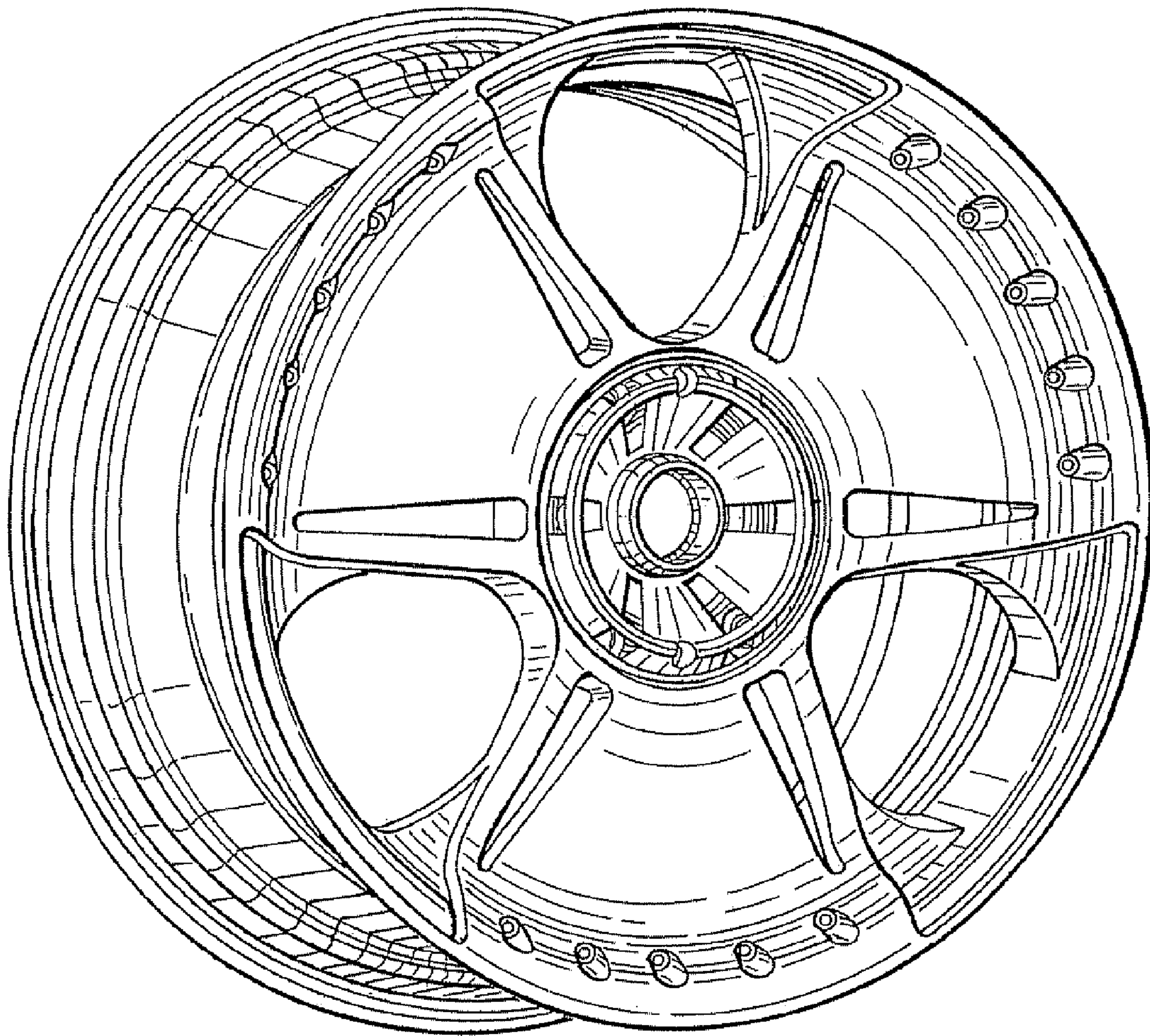


FIG.2

FIG.4



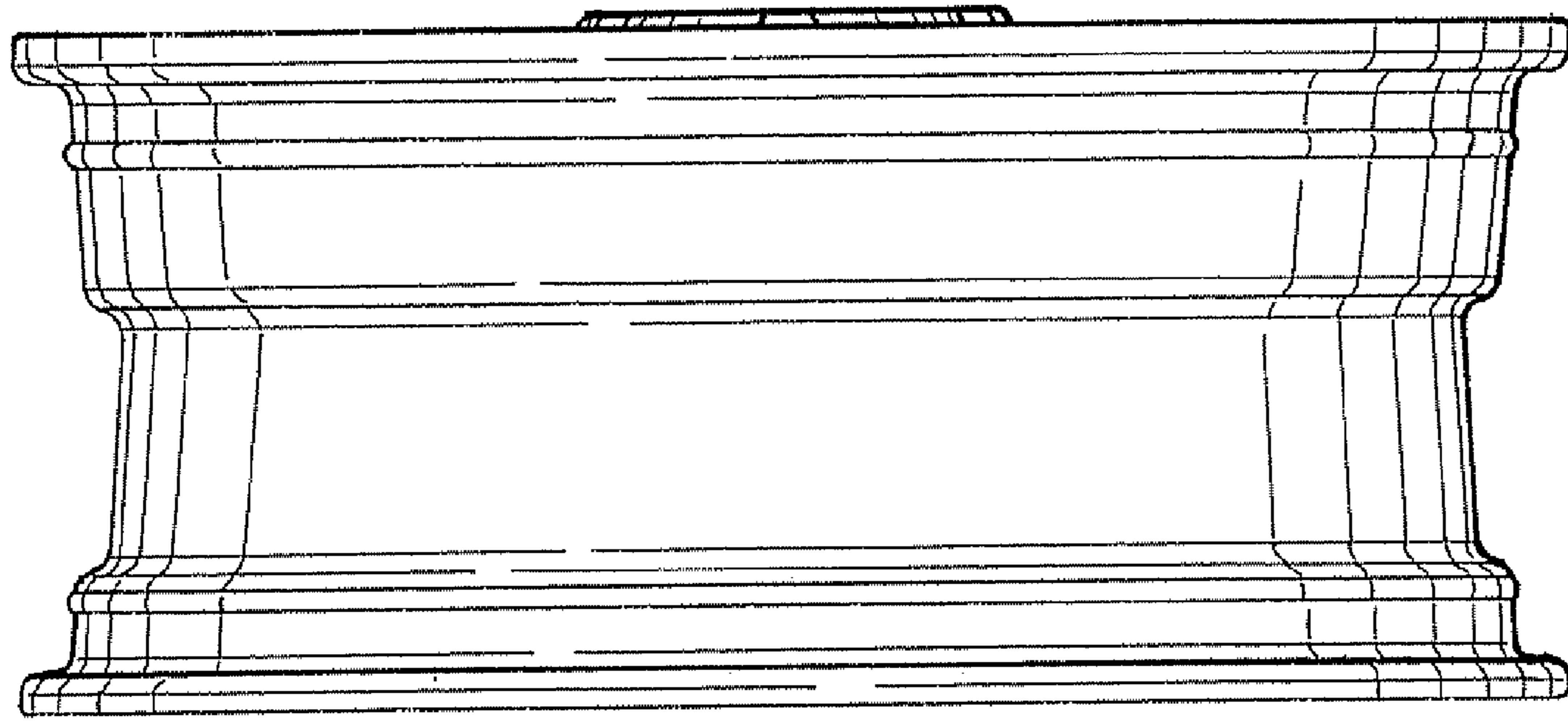


FIG. 6

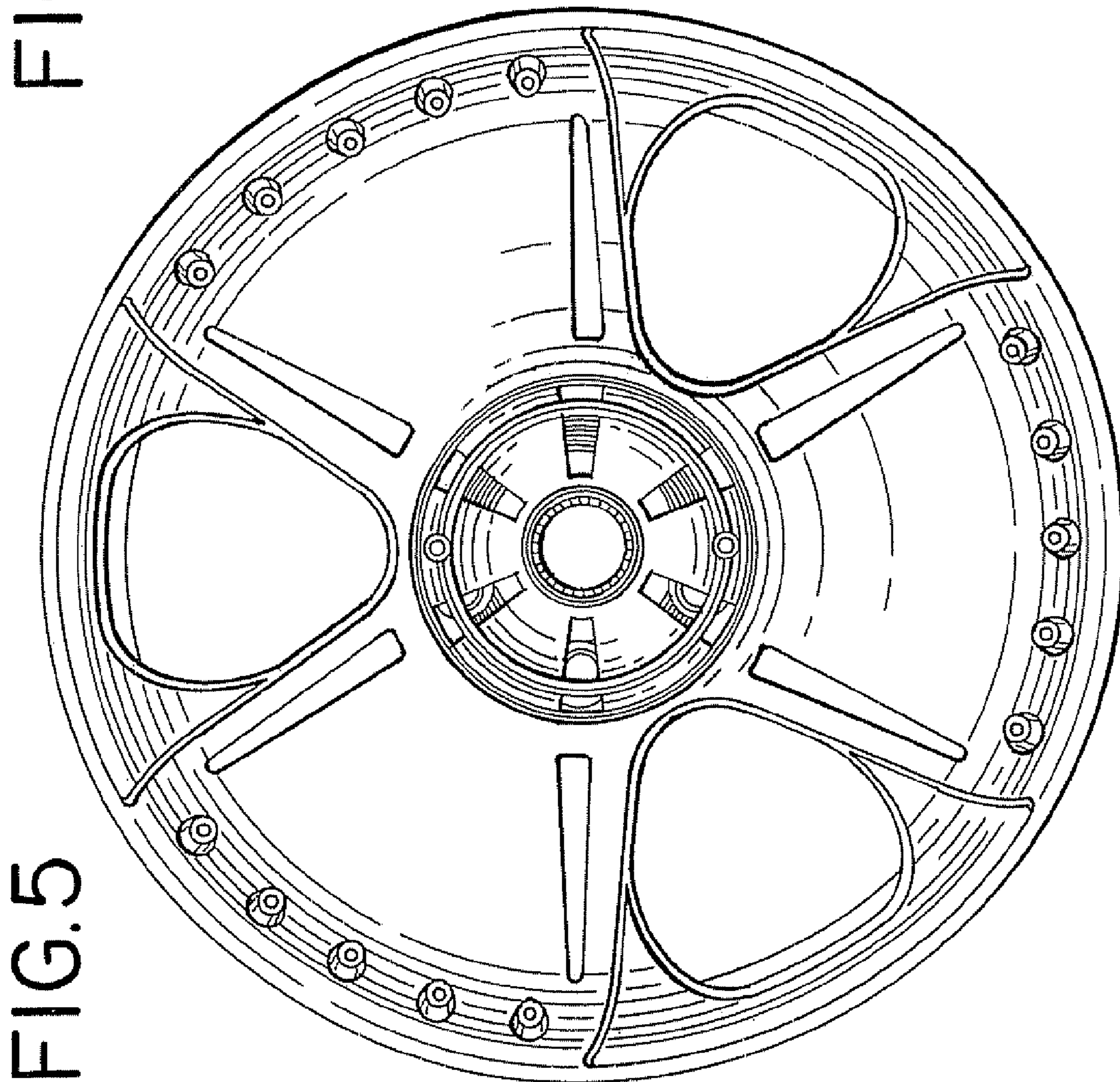


FIG. 5