



US00D546252S

(12) **United States Design Patent**
Belisle

(10) **Patent No.:** **US D546,252 S**

(45) **Date of Patent:** **** Jul. 10, 2007**

(54) **BRAKE ACTUATOR HOUSING**

7,121,191 B1 * 10/2006 Fisher 92/63

(75) Inventor: **Duane J. Belisle**, Elkhart, IN (US)

* cited by examiner

(73) Assignee: **Dexter Axle Company**, Elkhart, IN (US)

Primary Examiner—Stacia Cadmus

(74) *Attorney, Agent, or Firm*—J. A. Thurnau, Esq.; C. H. Castleman, Esq.; J. L. Mahurin, Esq.

(**) Term: **14 Years**

(57) **CLAIM**

(21) Appl. No.: **29/231,446**

The ornamental design for a brake actuator housing, as shown and described.

(22) Filed: **Jun. 2, 2005**

(51) **LOC (8) Cl.** **12-16**

(52) **U.S. Cl.** **D12/180**

(58) **Field of Classification Search** D12/179–180, D12/400; D23/351, 209; 92/62–64, 80–82; 192/12 R, 90; 185/40 B, 38; 188/71.1, 188/73.3, 73.45, 21, 22, 167, 158

See application file for complete search history.

DESCRIPTION

(56) **References Cited**

U.S. PATENT DOCUMENTS

D306,642 S	3/1990	Chang et al.	D23/351
D374,912 S	10/1996	Engelander	D23/209
D376,340 S *	12/1996	Davidson et al.	D12/180
D413,292 S *	8/1999	Jones	D12/180
D418,098 S *	12/1999	Wallace	D12/180
6,588,314 B1 *	7/2003	Stojic	92/63
6,851,533 B2 *	2/2005	Severinsson	188/167

FIG. 1 is a top plan view of the brake actuator housing.

FIG. 2 is a bottom plan view of the brake actuator housing.

FIG. 3 is a side elevation view of the brake actuator housing.

FIG. 4 is a side elevation view of the brake actuator housing.

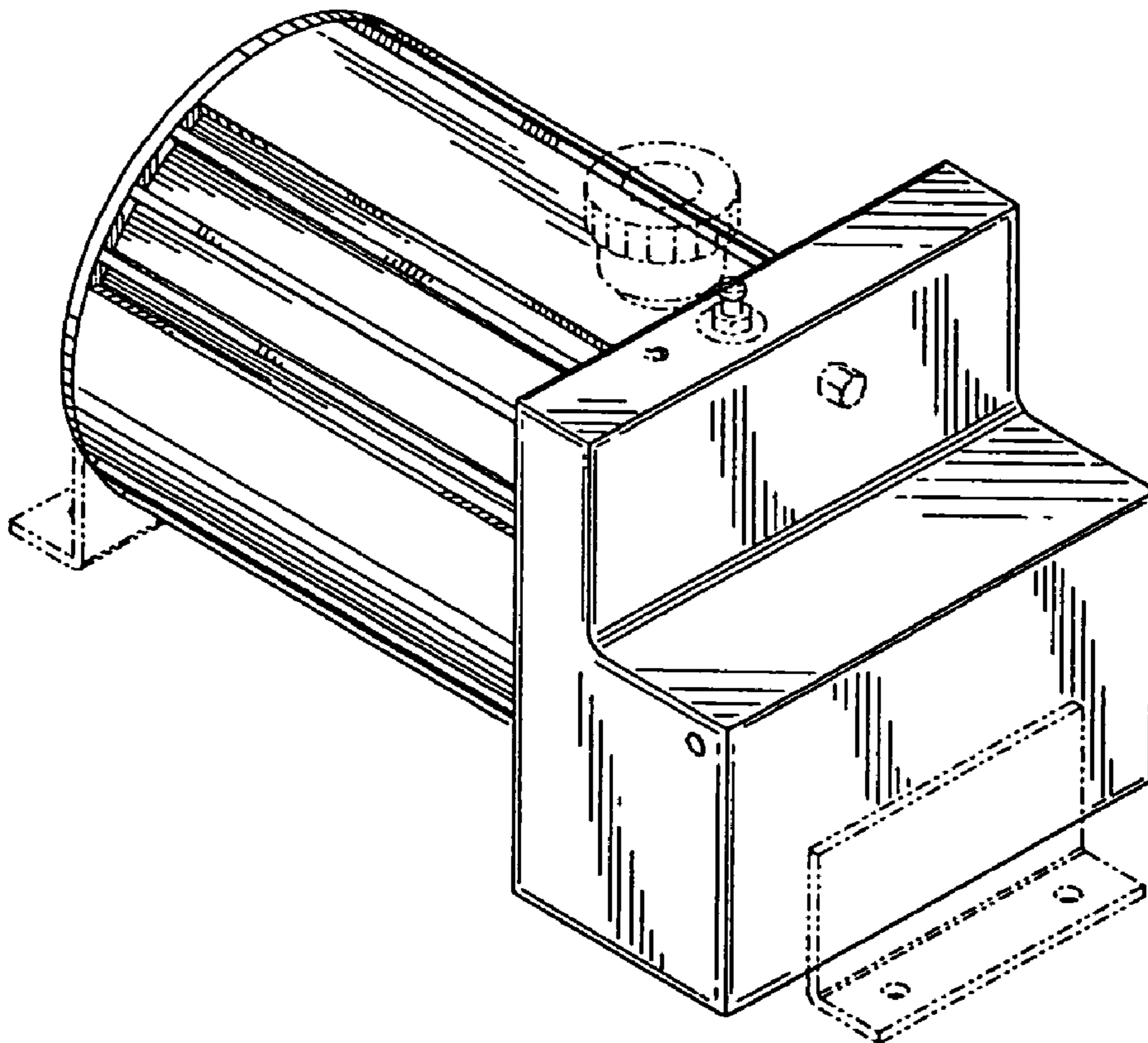
FIG. 5 is an end elevation view of the brake actuator housing.

FIG. 6 is an end elevation view of the brake actuator housing; and,

FIG. 7 is a top perspective view of the brake actuator housing.

The broken line showing of environment is for illustrative purposes only and forms no part of the claimed design.

1 Claim, 3 Drawing Sheets



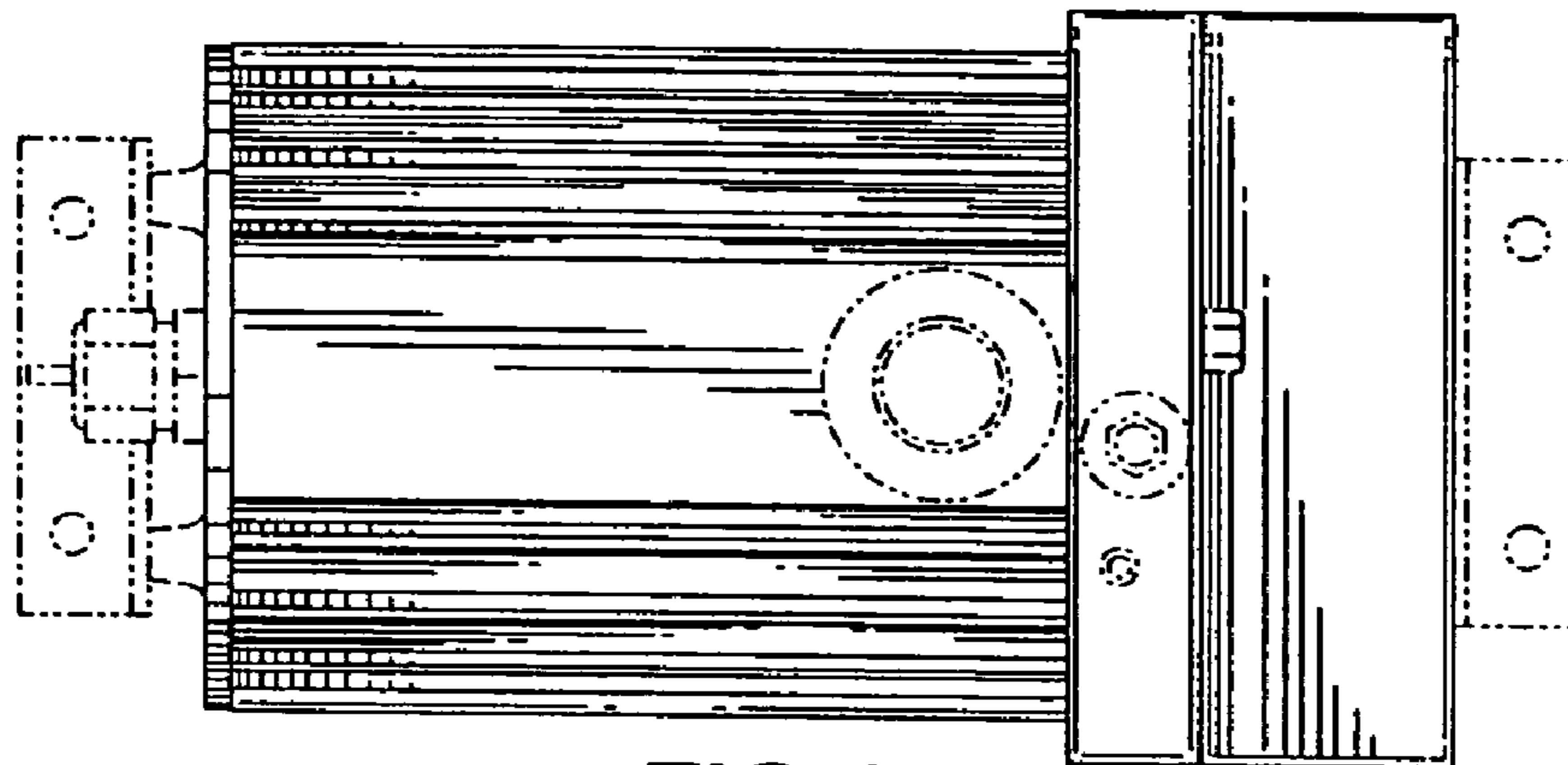


FIG.1

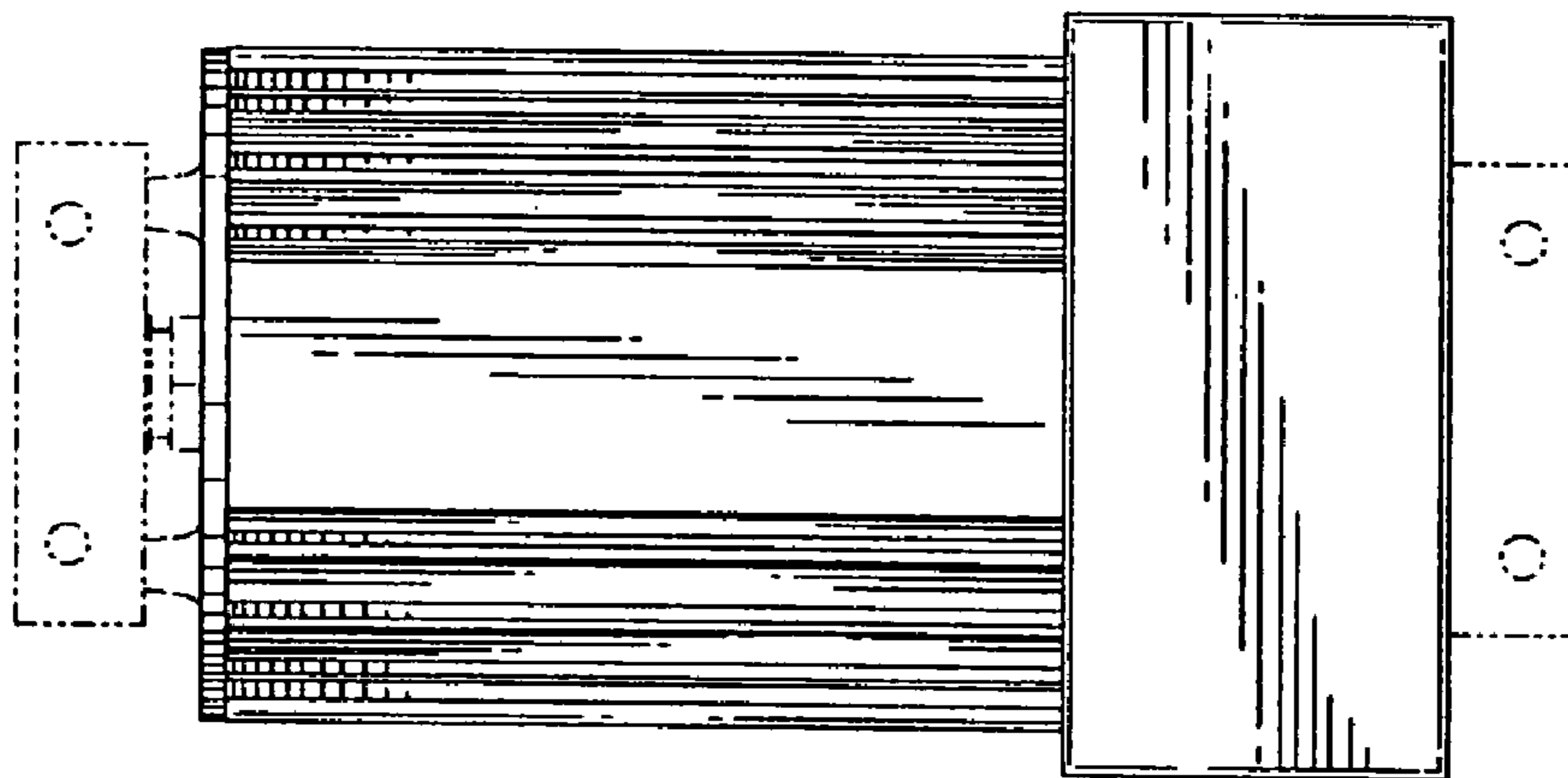


FIG.2

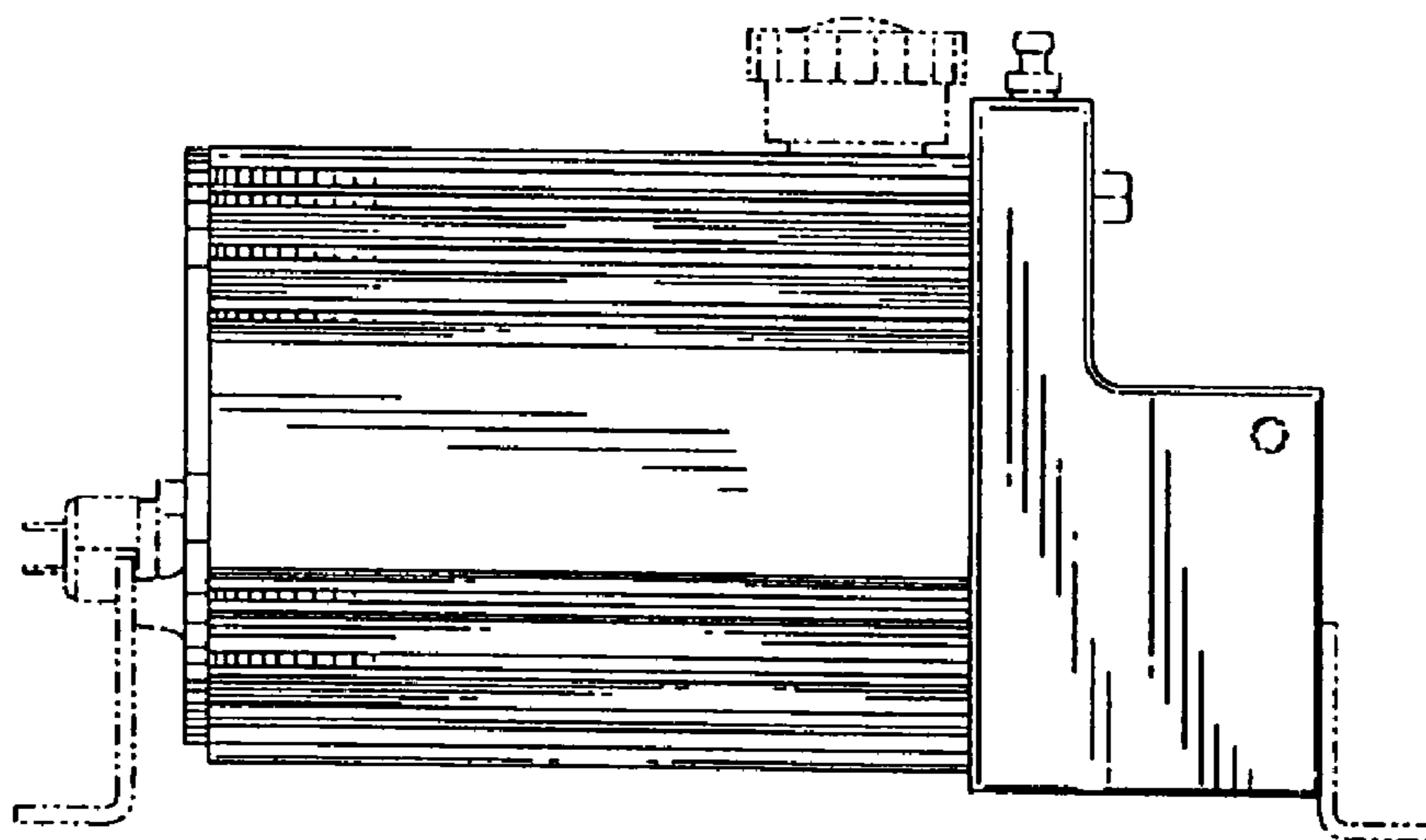


FIG.3

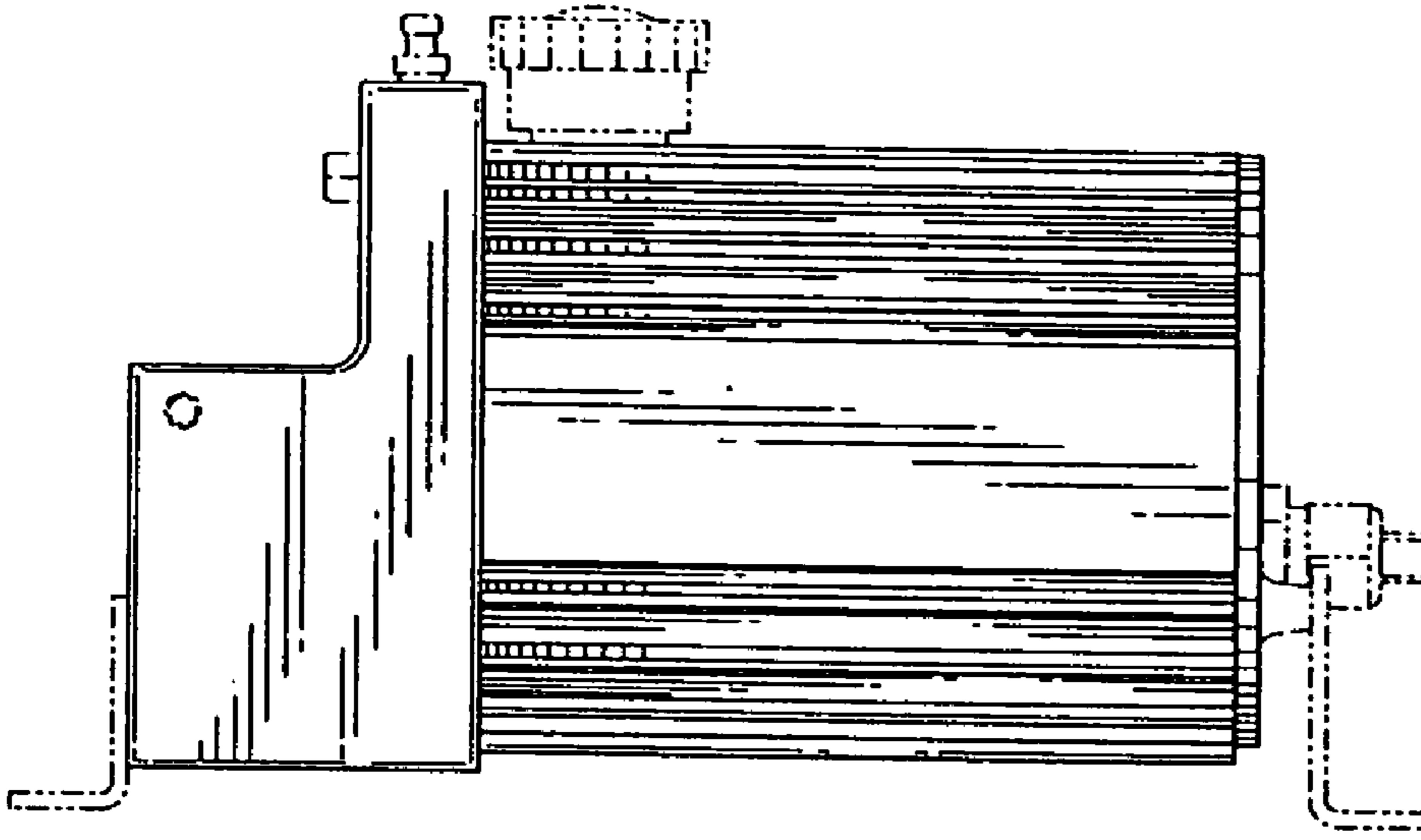


FIG. 4

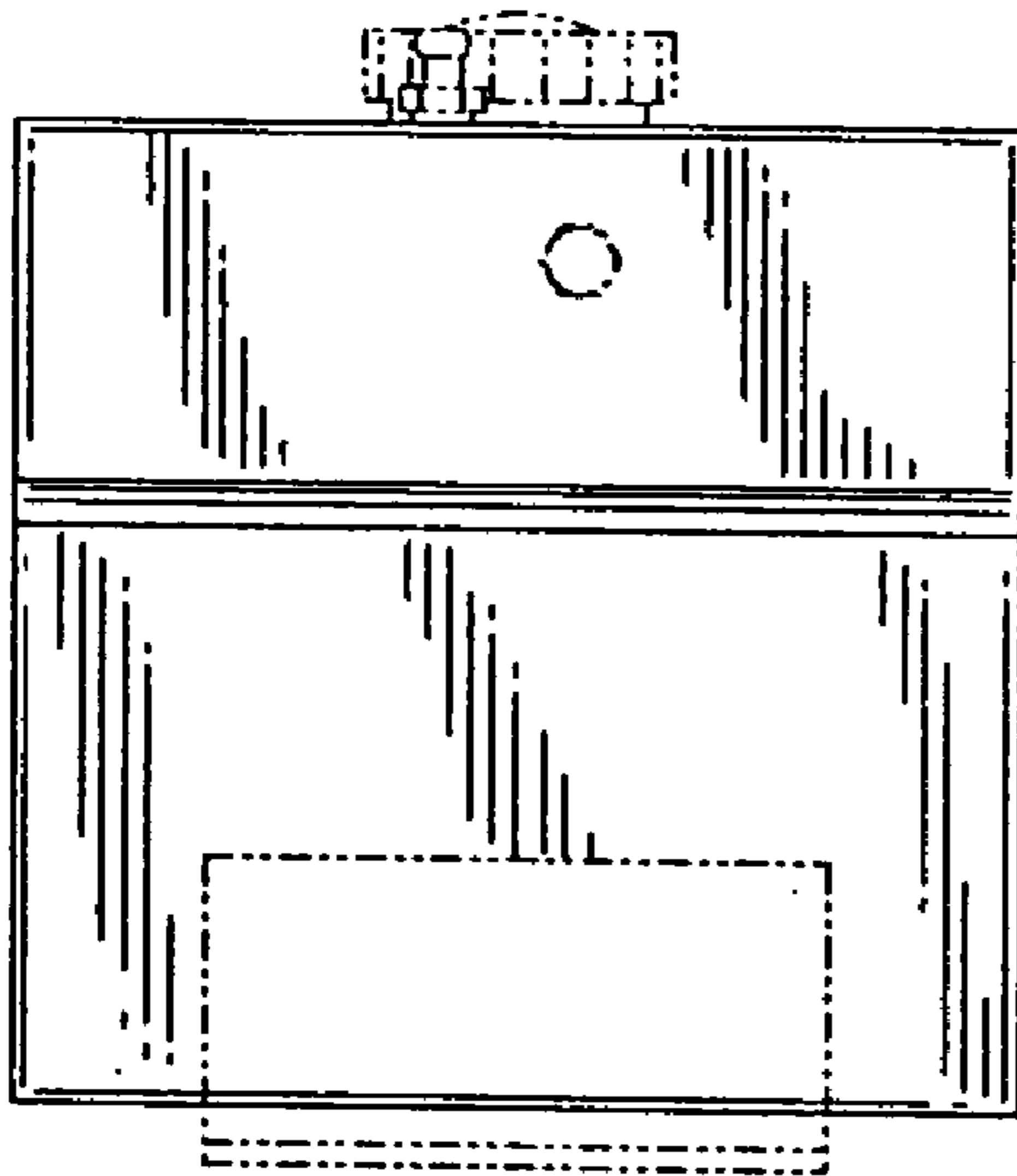


FIG. 5

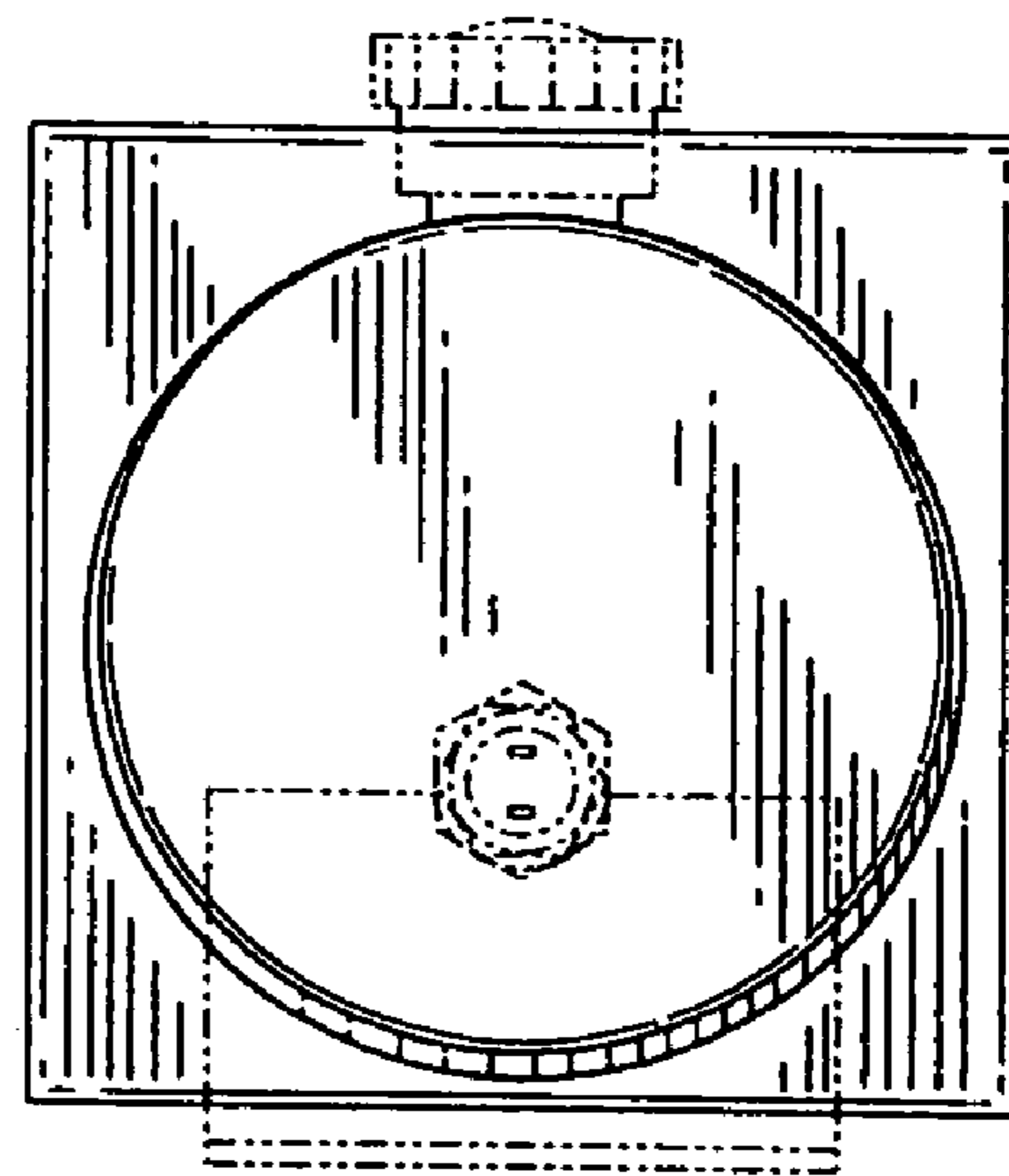


FIG. 6

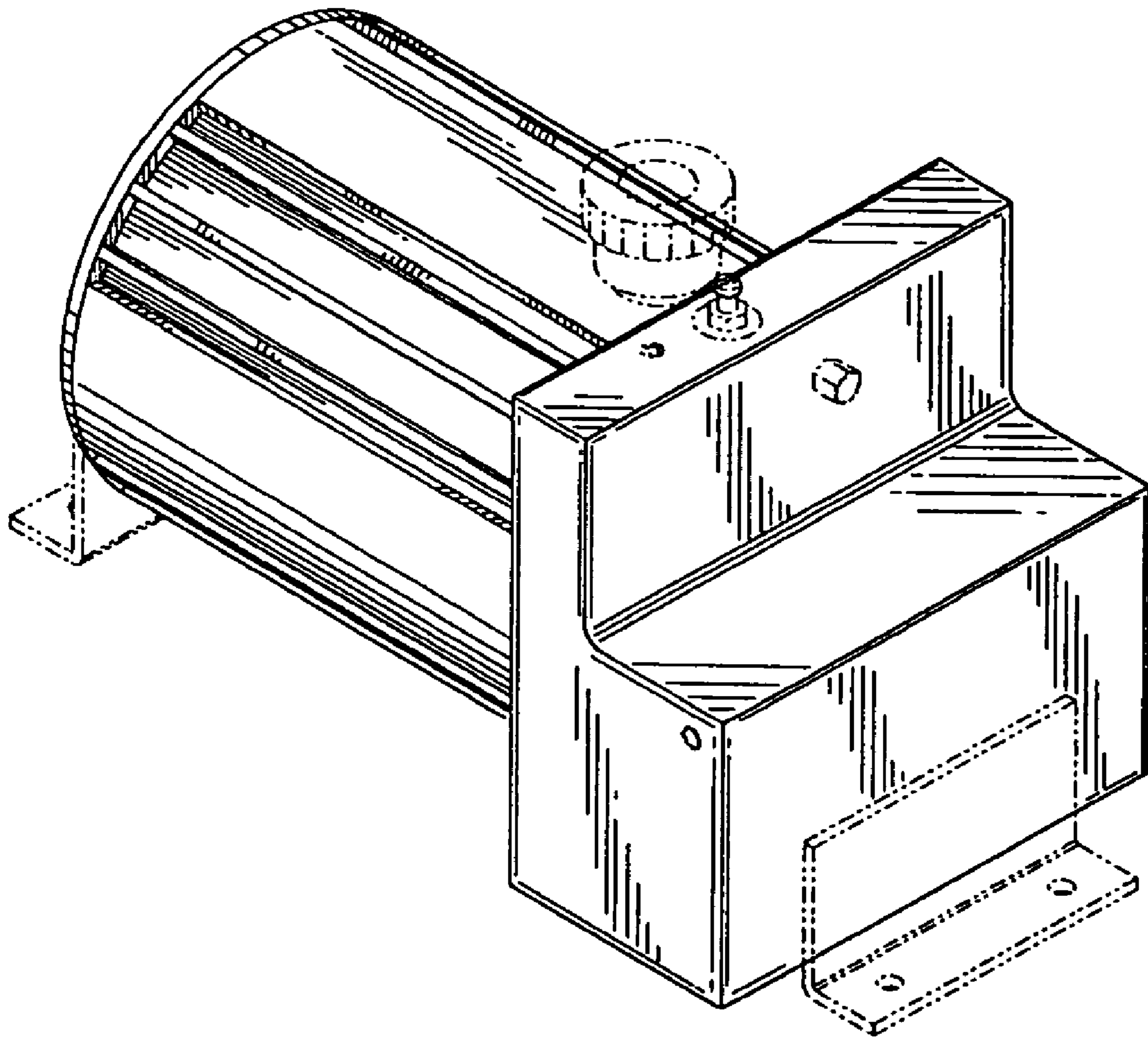


FIG.7