

US00D546251S

(12) **United States Design Patent**  
**Hamano**

(10) **Patent No.:** **US D546,251 S**  
(45) **Date of Patent:** **\*\* Jul. 10, 2007**

(54) **FRONT BUMPER FOR AUTOMOBILE**

FOREIGN PATENT DOCUMENTS

(75) Inventor: **Takeo Hamano**, Saitama-ken (JP)

JP 1225686 12/2004

(73) Assignee: **Honda Motor Co., Ltd.**, Tokyo (JP)

\* cited by examiner

(\*\*) Term: **14 Years**

*Primary Examiner*—Melody N. Brown

(74) *Attorney, Agent, or Firm*—Arent Fox LLP

(21) Appl. No.: **29/261,663**

(22) Filed: **Jun. 19, 2006**

(57) **CLAIM**

The ornamental design for a front bumper for automobile, as shown and described.

(30) **Foreign Application Priority Data**

Dec. 22, 2005 (JP) ..... 2005-37871

**DESCRIPTION**

(51) **LOC (8) Cl.** ..... **12-16**

FIG. 1 is a perspective view from the front side of a front bumper for automobile.

(52) **U.S. Cl.** ..... **D12/169**

FIG. 2 is a front elevation view thereof.

(58) **Field of Classification Search** ..... D12/90-92,

D12/86, 169, 196, 163; 296/180.1, 180.2;

293/102, 113, 115, 117, 120

FIG. 3 is a top plan view thereof.

See application file for complete search history.

FIG. 4 is a bottom plan view thereof.

FIG. 5 is a left side elevation view thereof; and,

FIG. 6 is a right side elevation view thereof.

(56) **References Cited**

U.S. PATENT DOCUMENTS

D510,304 S \* 10/2005 Tabata et al. .... D12/169

D511,126 S \* 11/2005 Tabata et al. .... D12/169

D531,098 S \* 10/2006 Hiruta et al. .... D12/169

D533,820 S \* 12/2006 Sonoda et al. .... D12/169

The portion of the article shown in broken lines is for illustrative purpose only and forms no part of the claimed design.

**1 Claim, 6 Drawing Sheets**

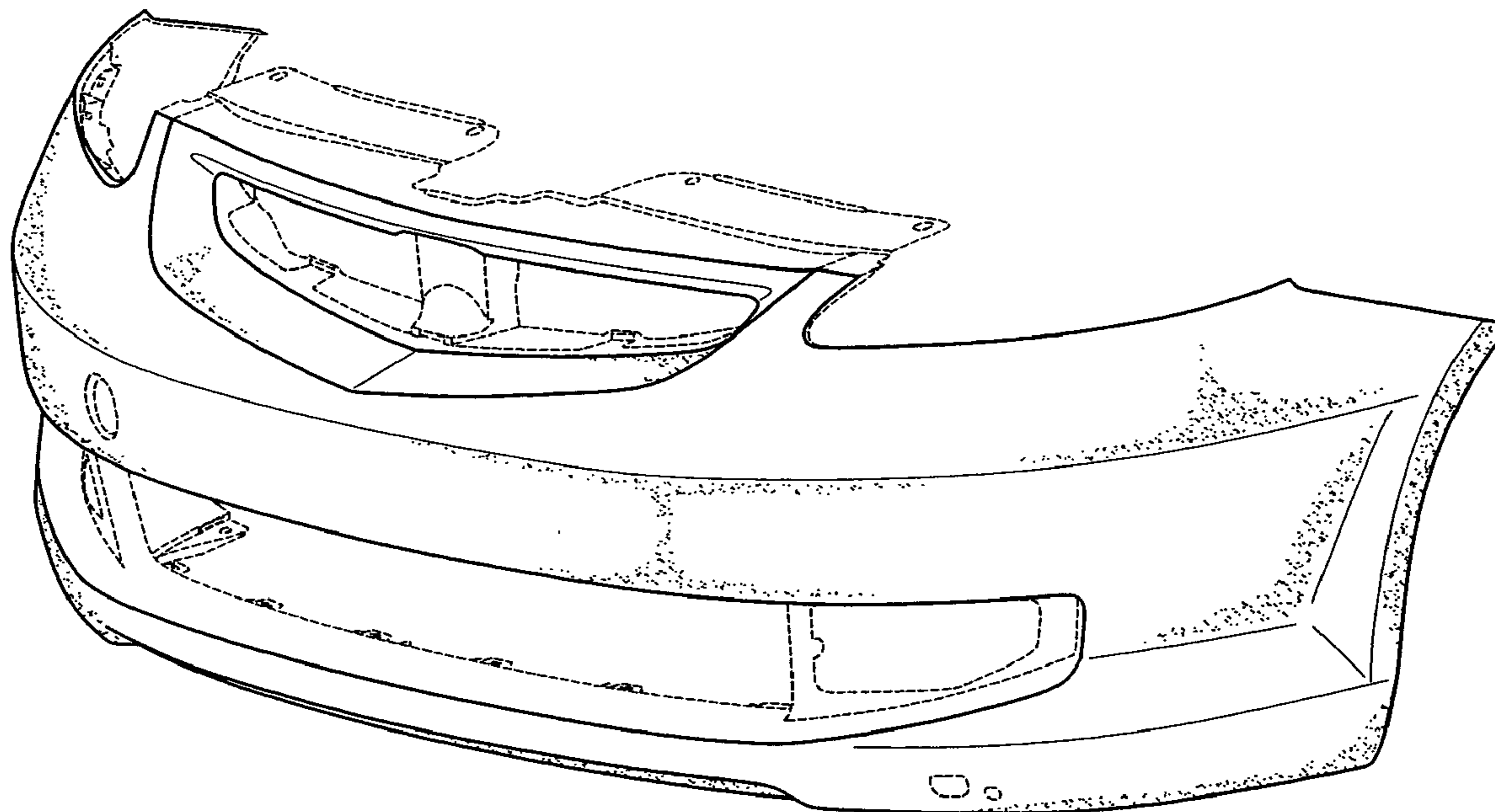


FIG. 1

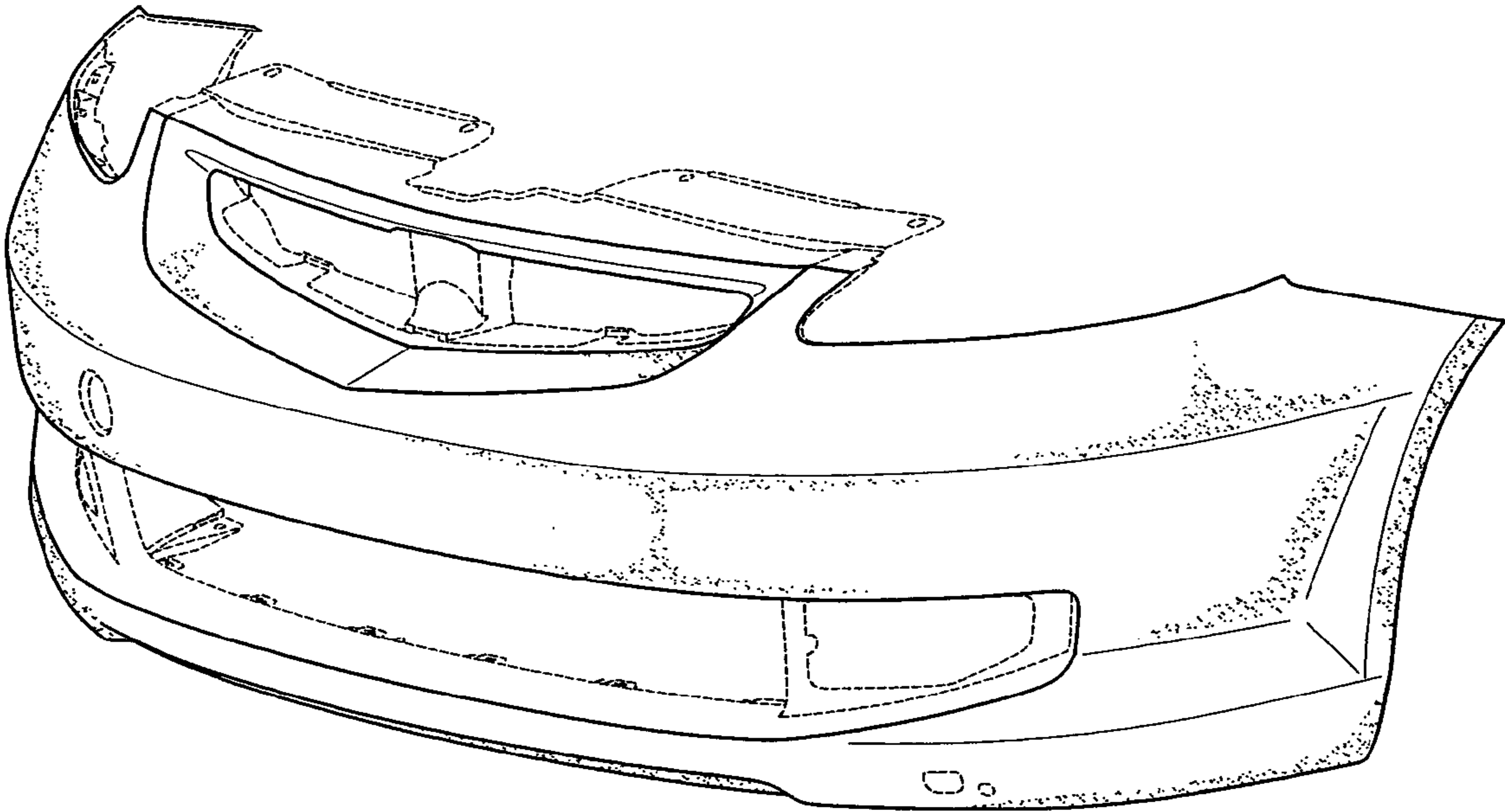


FIG. 2

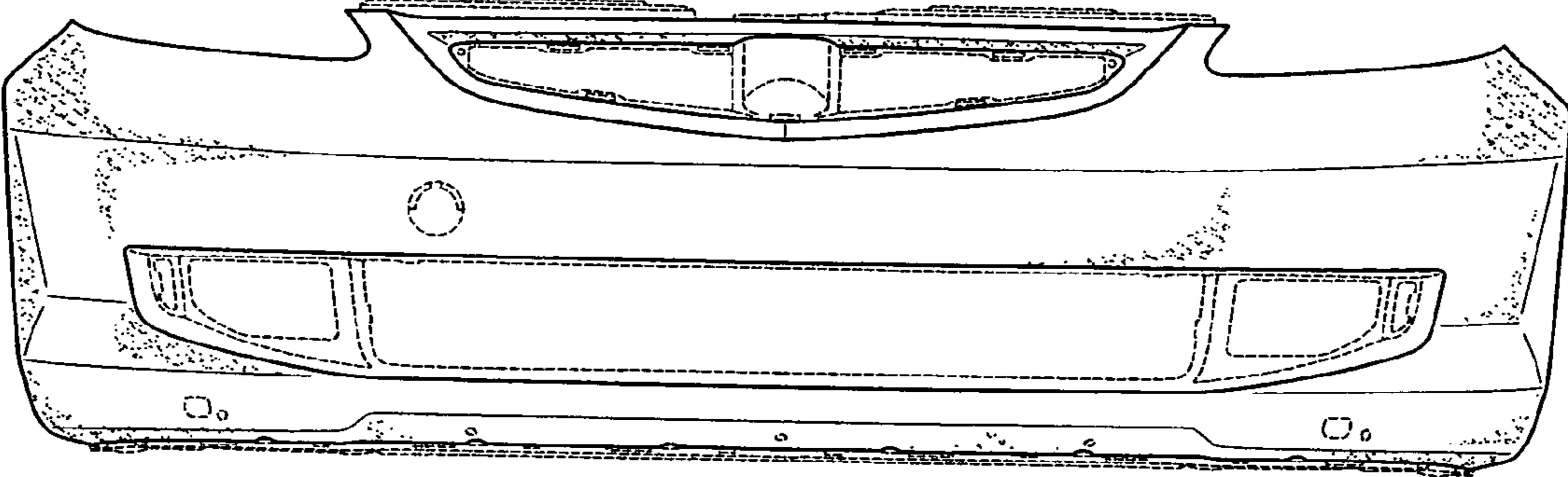




FIG. 4

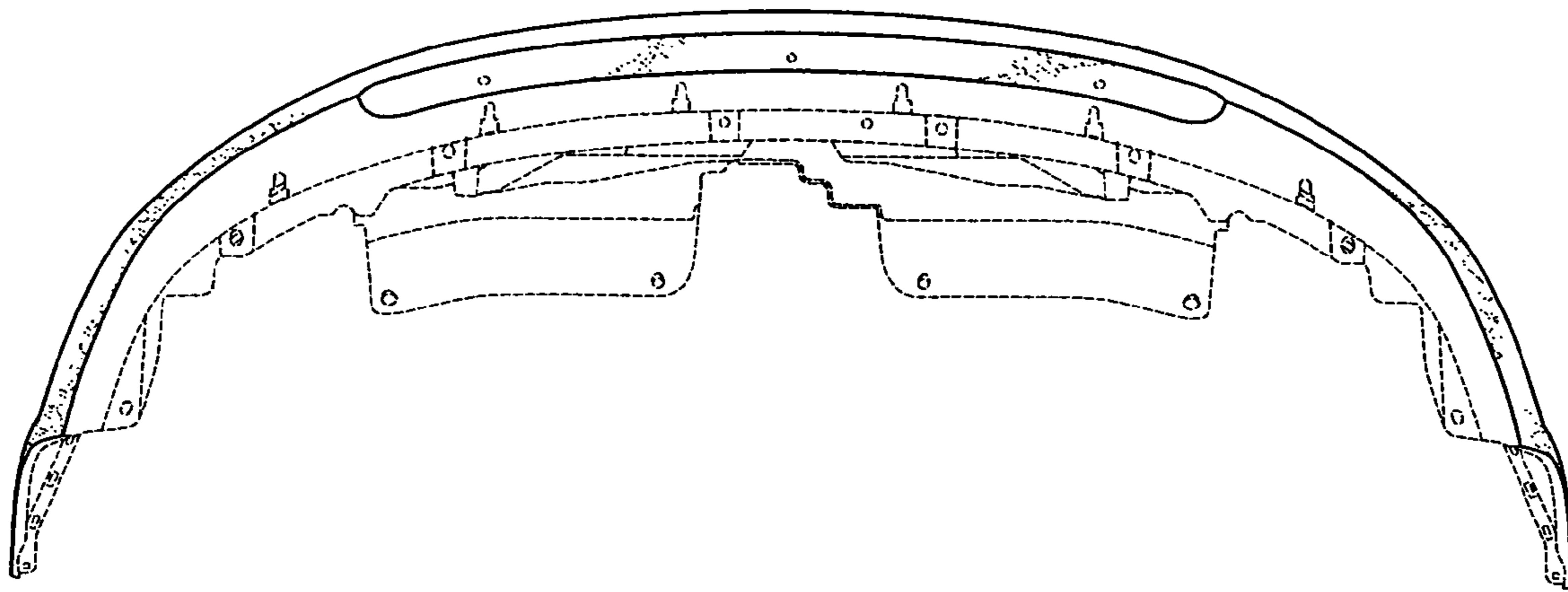
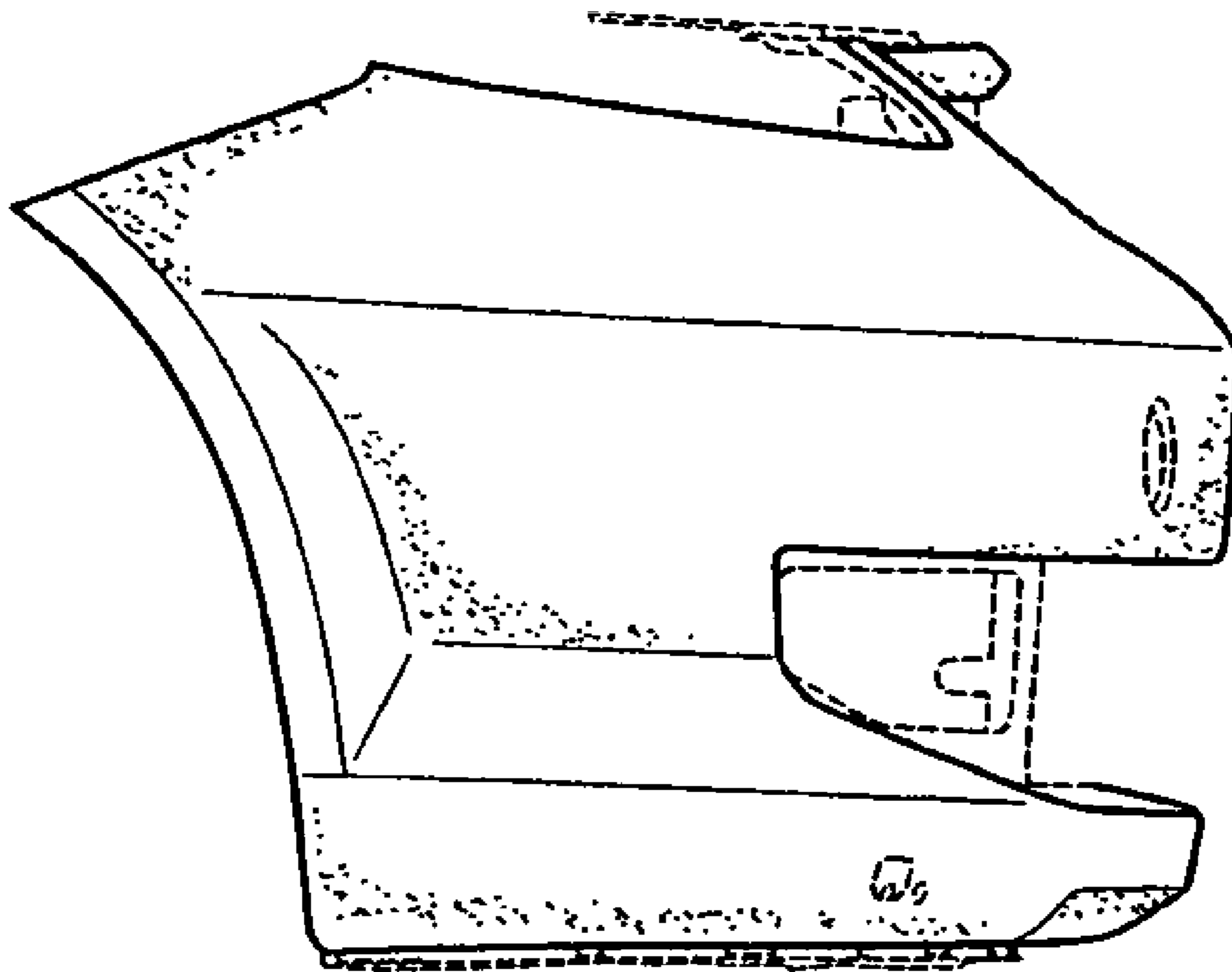


FIG. 5



# FIG. 6

