

US00D546246S

(12) **United States Design Patent**
Crépeau et al.

(10) **Patent No.:** **US D546,246 S**

(45) **Date of Patent:** **** Jul. 10, 2007**

(54) **ALL-TERRAIN VEHICLE BODY**

2004/0108158 A1* 6/2004 Rondeau et al. 180/311

(75) Inventors: **Jean-Philippe Crépeau**, Bromont
(CA); **Stéphane Sanschagrín**, Valcourt
(CA)

* cited by examiner

Primary Examiner—Alan P. Douglas

Assistant Examiner—Linda Brooks

(73) Assignee: **Bombardier Recreational Products, Inc.**, Valcourt (CA)

(74) *Attorney, Agent, or Firm*—Osler, Hoskin & Harcourt LLP

(**) Term: **14 Years**

(57) **CLAIM**

(21) Appl. No.: **29/239,220**

The ornamental design for an all-terrain vehicle body, as shown and described.

(22) Filed: **Sep. 28, 2005**

DESCRIPTION

(51) **LOC (8) Cl.** **12-11**

FIG. 1 is a perspective view from the front and left side of an all-terrain vehicle body according to our design;

(52) **U.S. Cl.** **D12/107**

FIG. 2 is a front elevational view thereof;

(58) **Field of Classification Search** D12/3,
D12/86, 87, 107, 110; 180/225, 229, 233,
180/311, 312, 315

FIG. 3 is a rear elevational view thereof;

FIG. 4 is a right side elevational view thereof;

See application file for complete search history.

FIG. 5 is a left side elevational view thereof; and,

FIG. 6 is a top plan view thereof.

(56) **References Cited**

Throughout the Figures, broken lines showing structure are for illustrative purposes only and form no part of the claimed design.

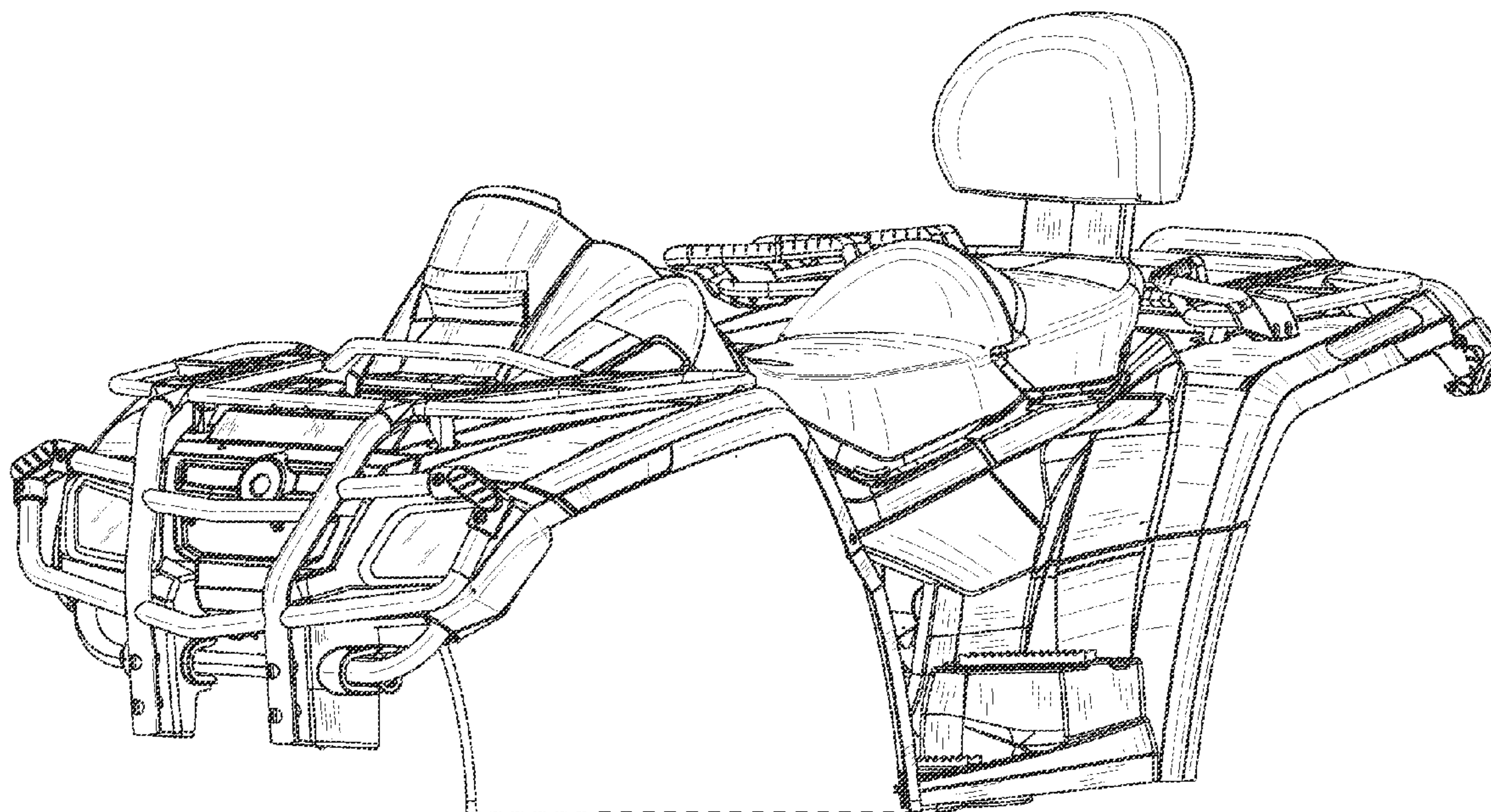
U.S. PATENT DOCUMENTS

D421,935 S * 3/2000 Fujieda D12/107

D496,308 S * 9/2004 Wu D12/107

D520,912 S * 5/2006 Knight et al. D12/107

1 Claim, 6 Drawing Sheets



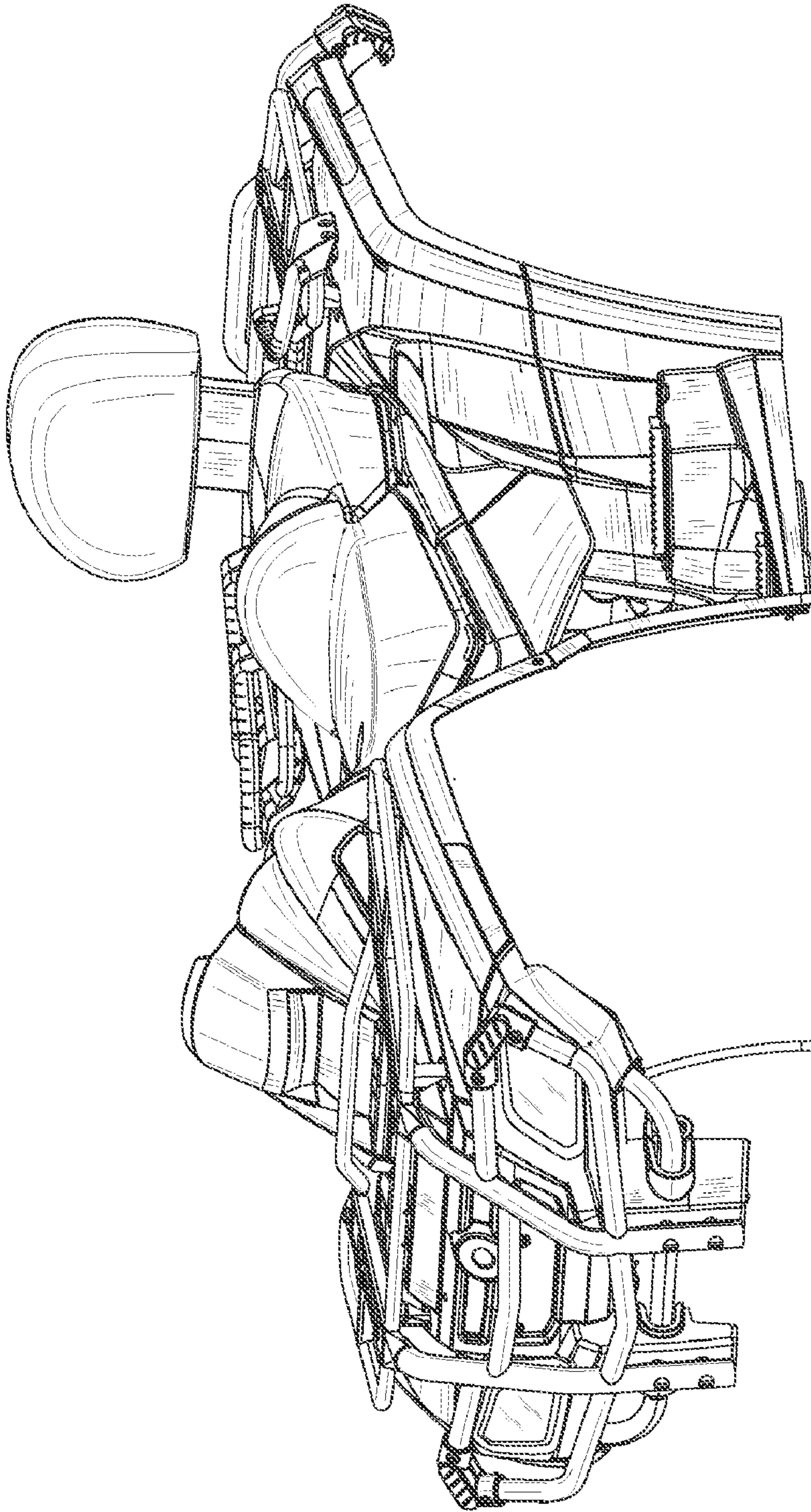


FIG. 1

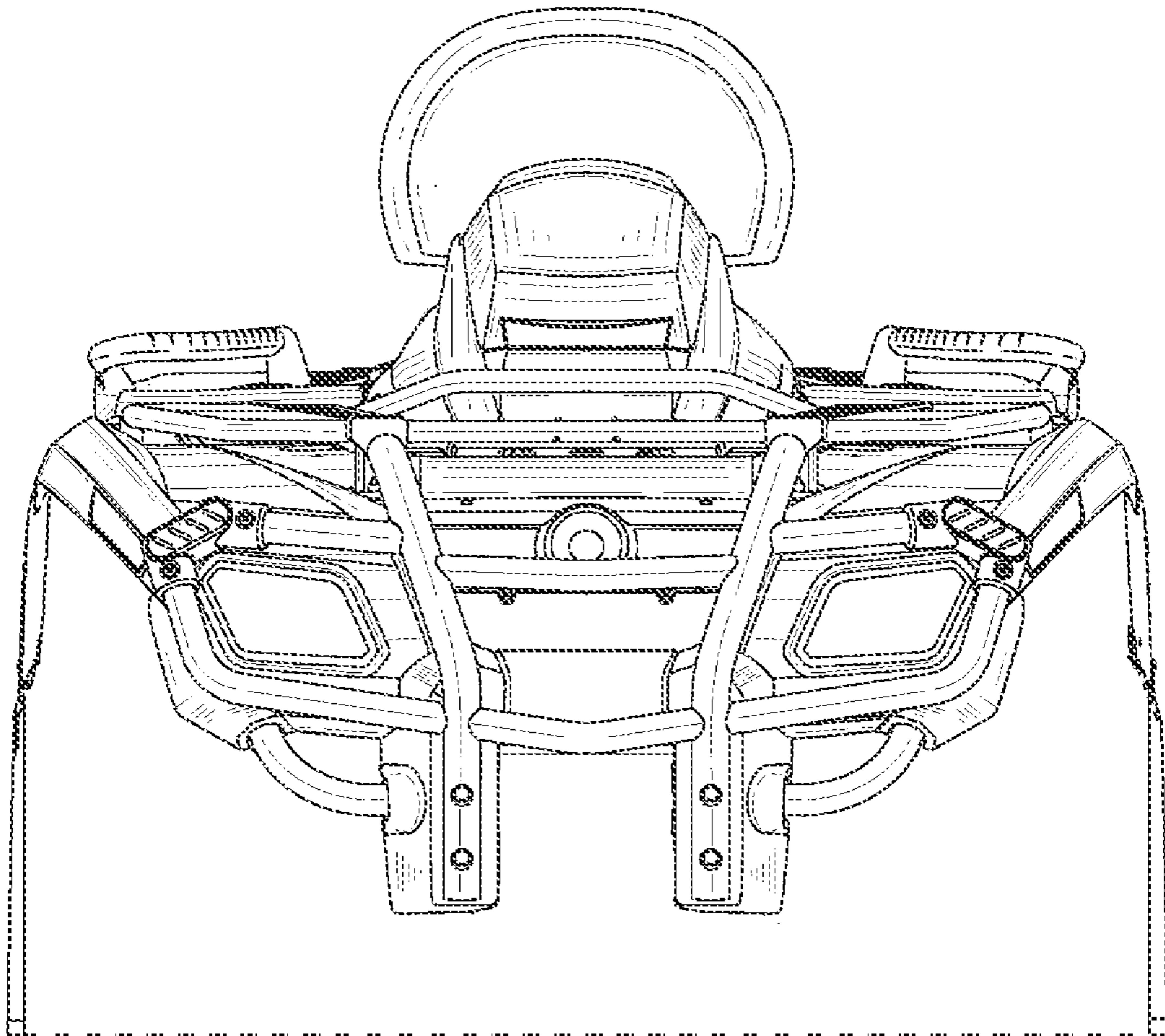


FIG. 2

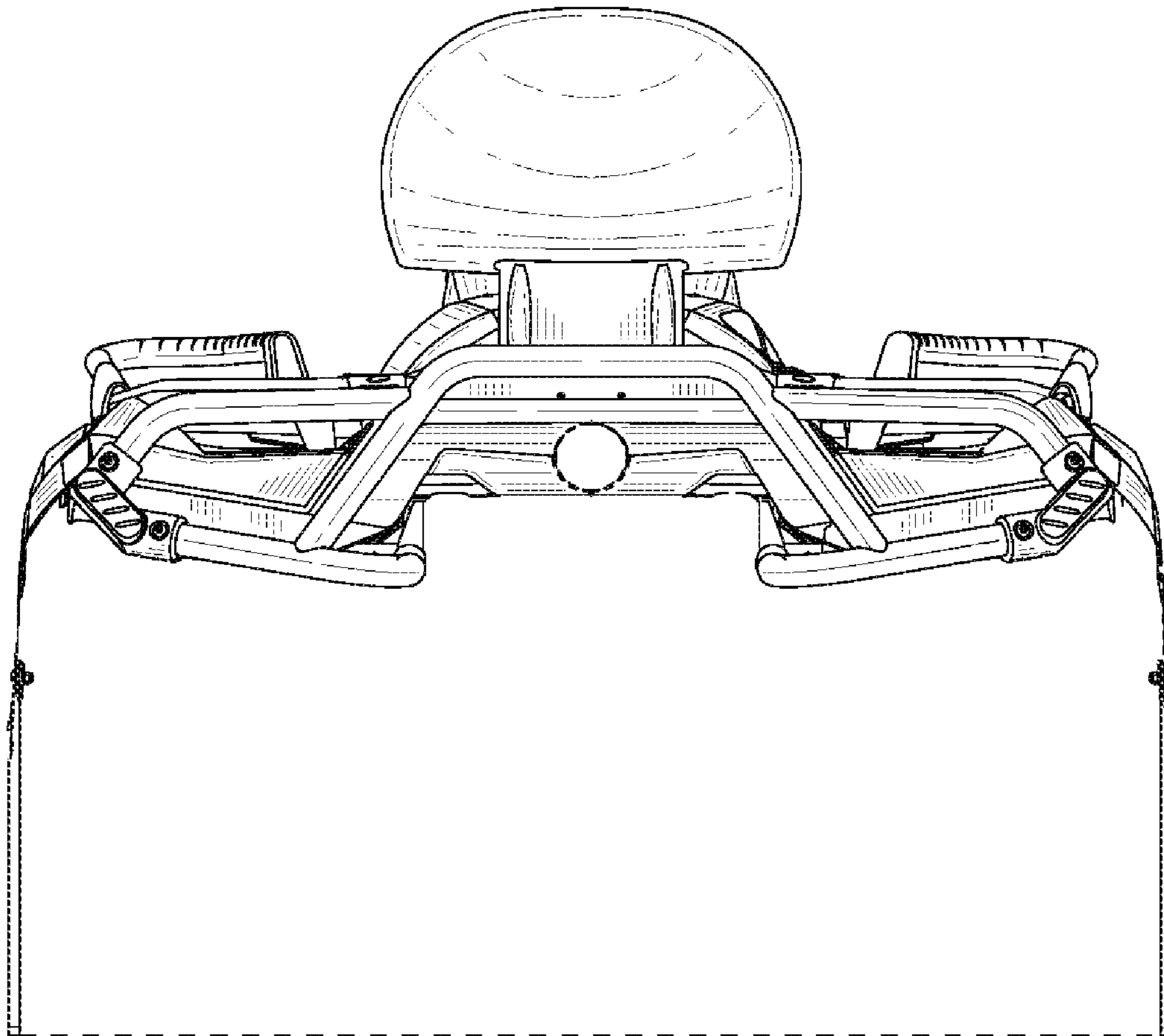


FIG. 3

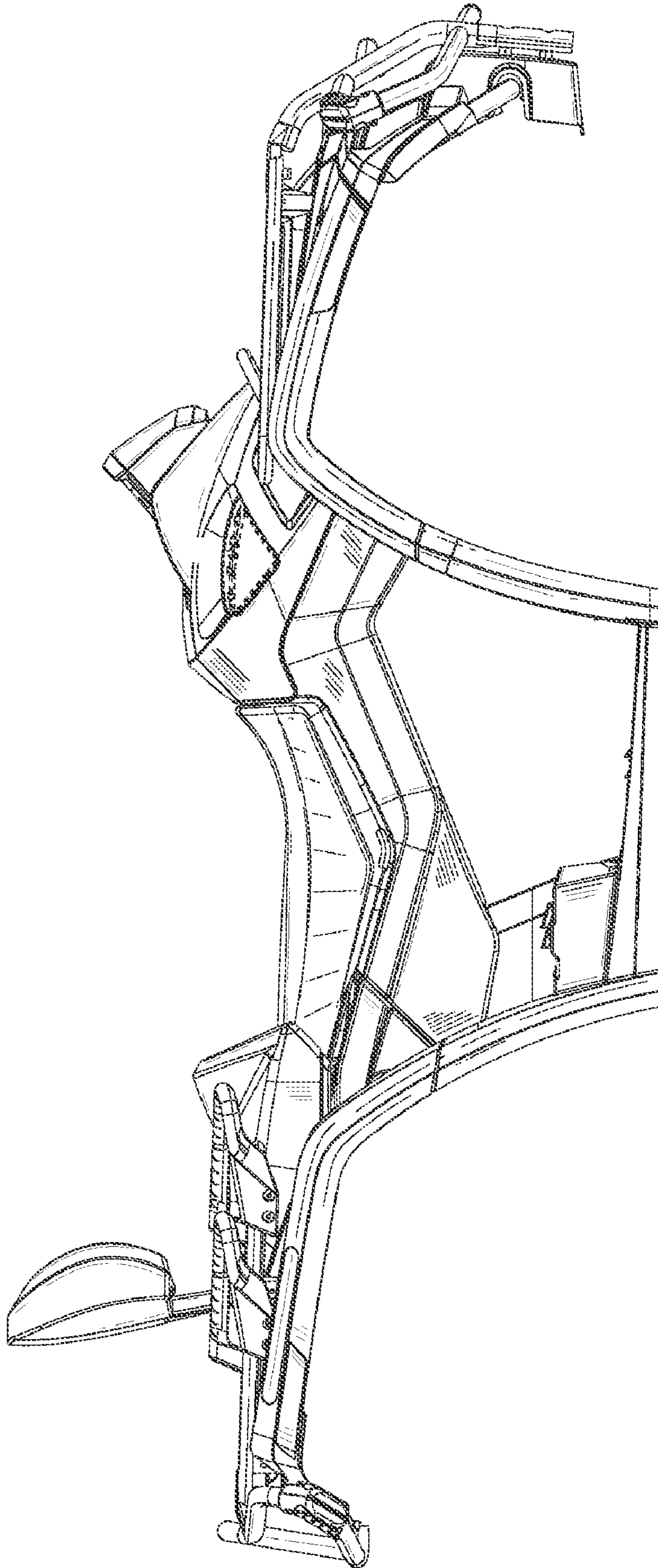


FIG. 4

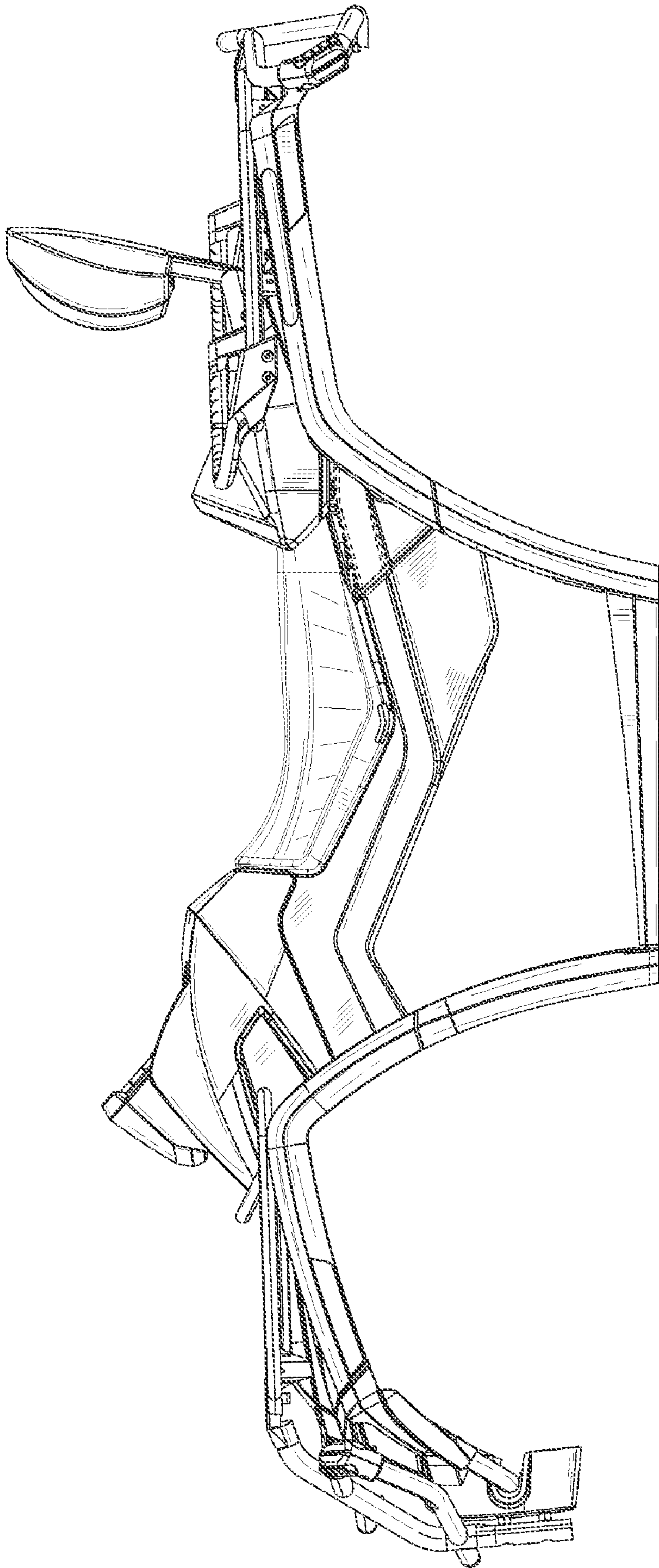


FIG. 5

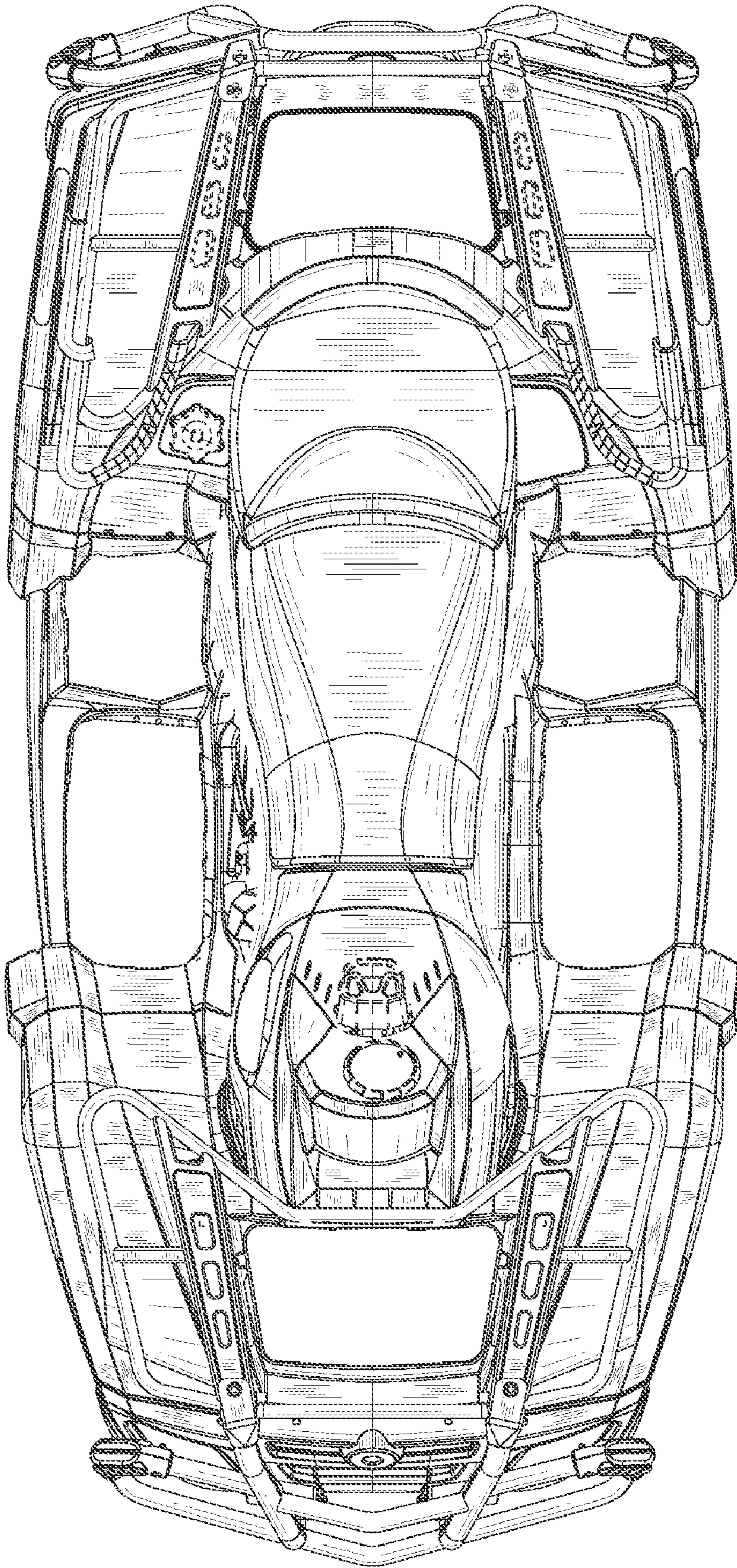


FIG. 6