



US00D546240S

(12) **United States Design Patent**
Pacheco et al.

(10) **Patent No.:** **US D546,240 S**
(45) **Date of Patent:** **** Jul. 10, 2007**

(54) **CHRISTMAS TREE STAND**

(76) Inventors: **Joe Pacheco**, 4724 W. El Segundo Blvd., Hawthorne, CA (US) 90250;
Mary Pacheco, 4724 W. El Segundo Blvd., Hawthorne, CA (US) 90250

(**) Term: **14 Years**

(21) Appl. No.: **29/245,950**

(22) Filed: **Jan. 3, 2006**

(51) **LOC (8) Cl.** **11-05**

(52) **U.S. Cl.** **D11/130**

(58) **Field of Classification Search** D11/117,
D11/118, 119, 120, 121, 122, 123, 124, 125,
D11/126, 127, 128, 129, 130, 130.1, 184;
D21/398, 400; 206/389, 423; 428/7, 9,
428/12

See application file for complete search history.

(56) **References Cited**

U.S. PATENT DOCUMENTS

- D307,729 S * 5/1990 Zonni D11/130.1
- D351,570 S * 10/1994 Fillipp D11/130.1
- D354,930 S * 1/1995 Rush et al. D11/130.1
- D370,185 S * 5/1996 Grimm et al. D11/130.1

- 5,918,849 A * 7/1999 Bliss 248/523
- 5,987,813 A * 11/1999 Lasko 47/40.5
- D418,083 S * 12/1999 Wilson, Jr. D11/130.1
- 6,041,545 A * 3/2000 Sofy et al. 47/40.5

* cited by examiner

Primary Examiner—Prabhakar Deshmukh

Assistant Examiner—Elizabeth J. Oswecki

(57) **CLAIM**

The ornamental design for a Christmas tree stand, as shown and described.

DESCRIPTION

FIG. 1 is a front elevation view of a Christmas tree stand showing our new design;

FIG. 2 is a rear elevation view;

FIG. 3 is a top plan view;

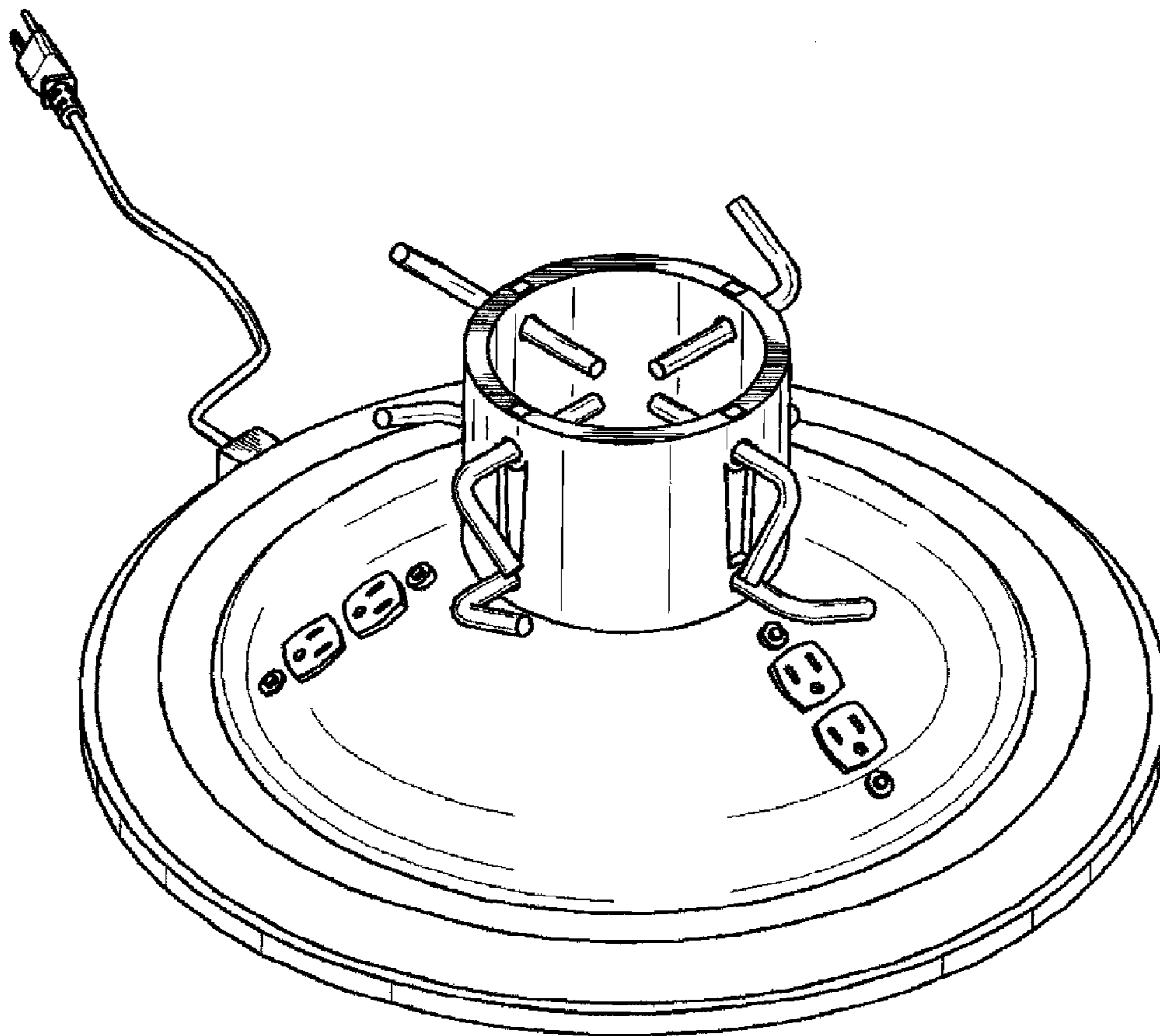
FIG. 4 is a bottom plan view;

FIG. 5 is a right side elevation view;

FIG. 6 is a left side elevation view; and,

FIG. 7 is an isometric view of a Christmas tree stand showing our new design.

1 Claim, 3 Drawing Sheets



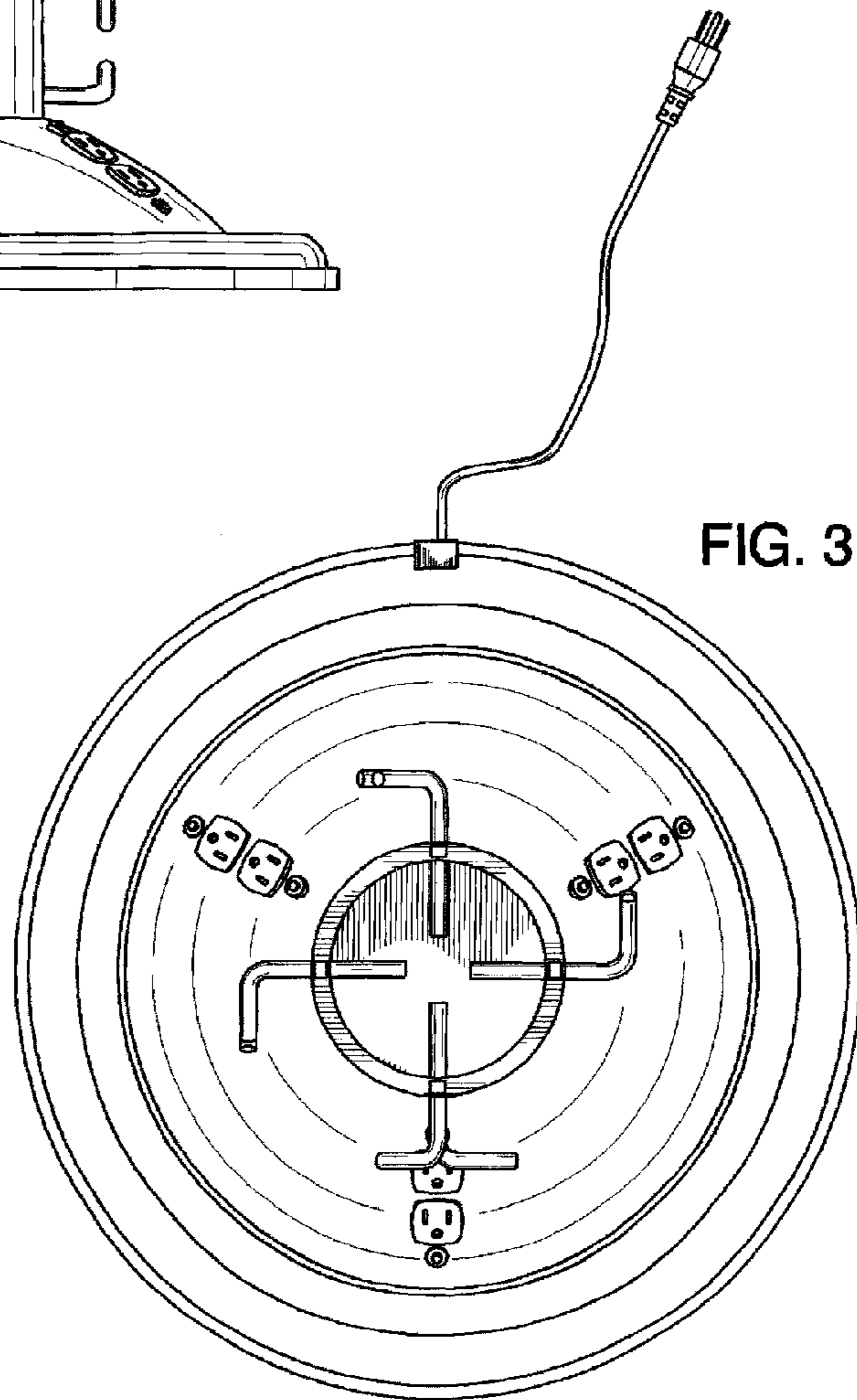
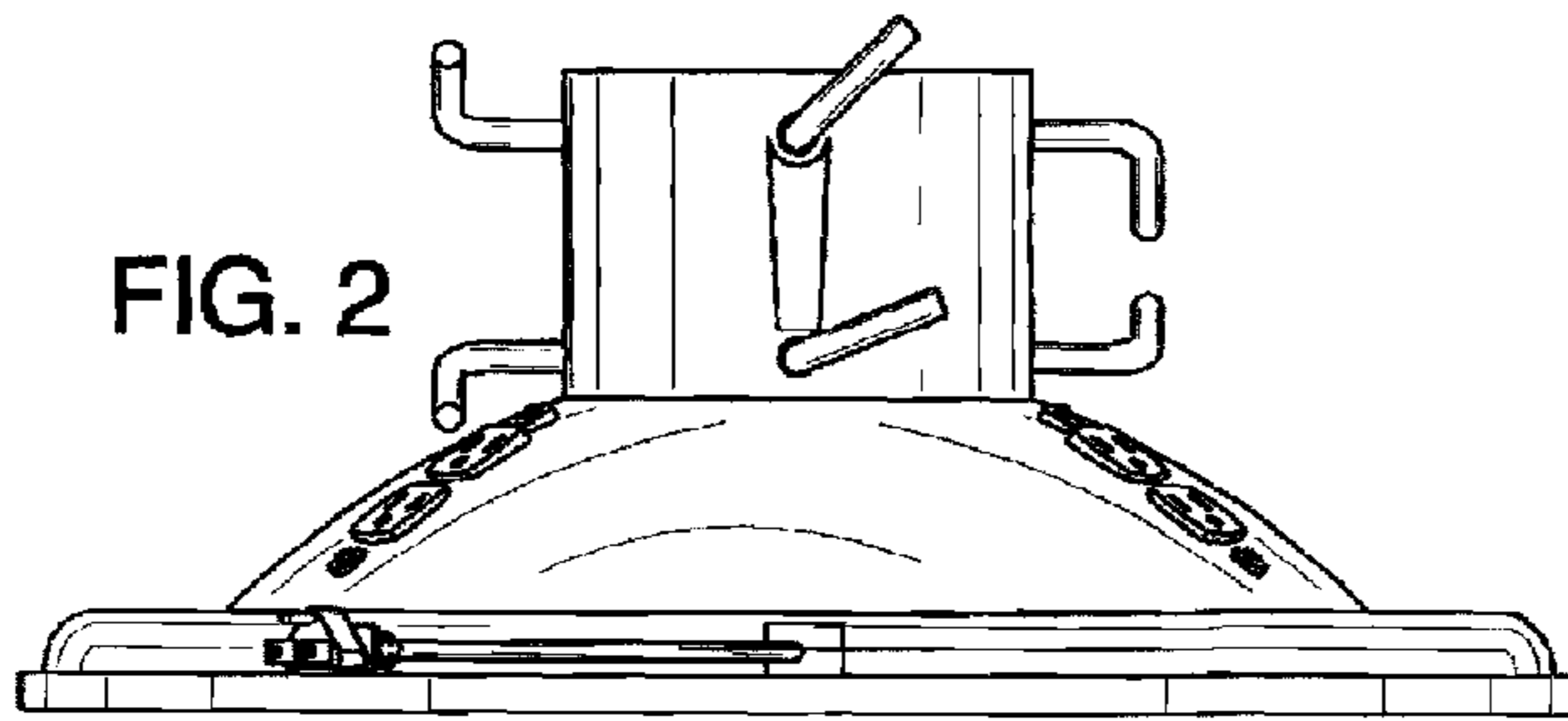
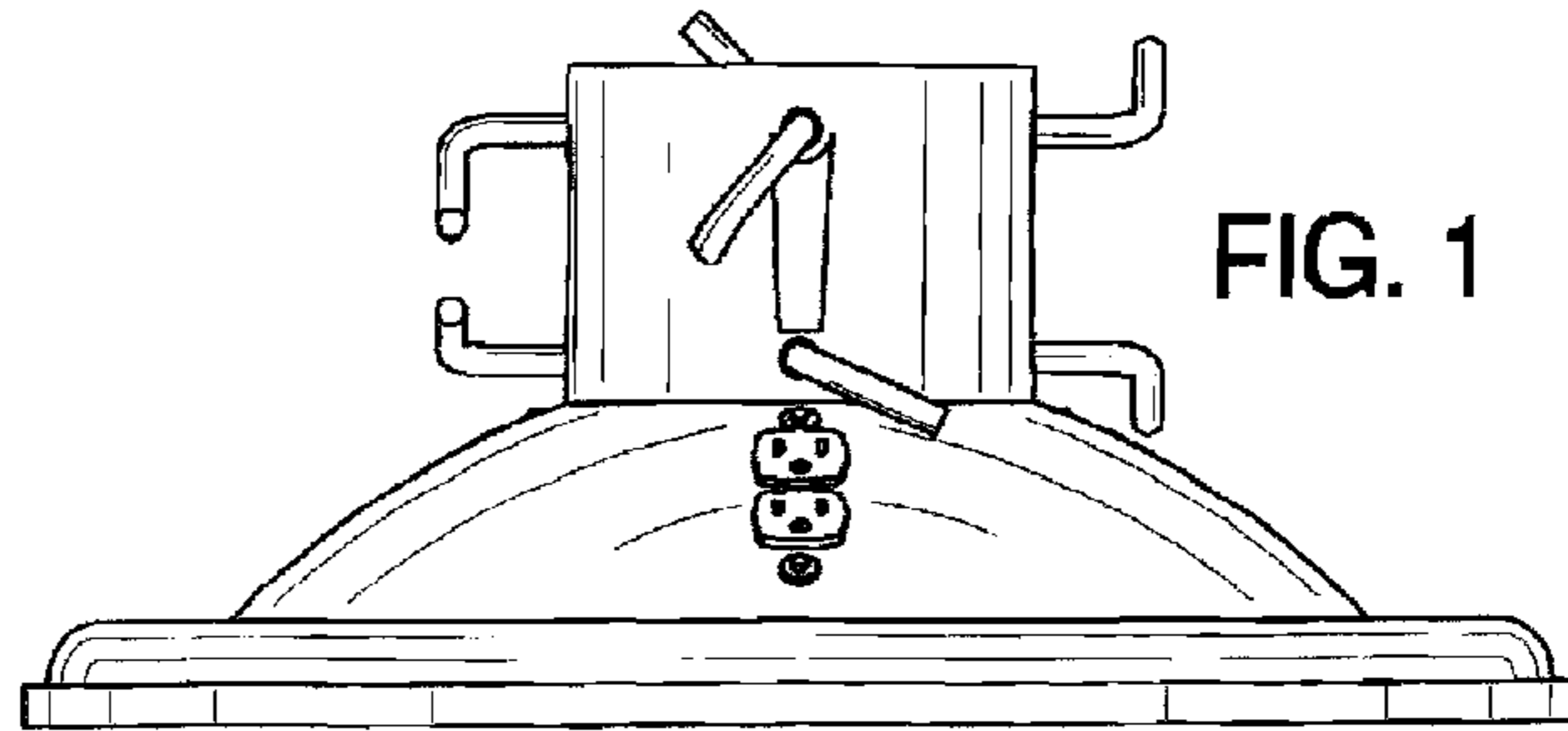


FIG. 4

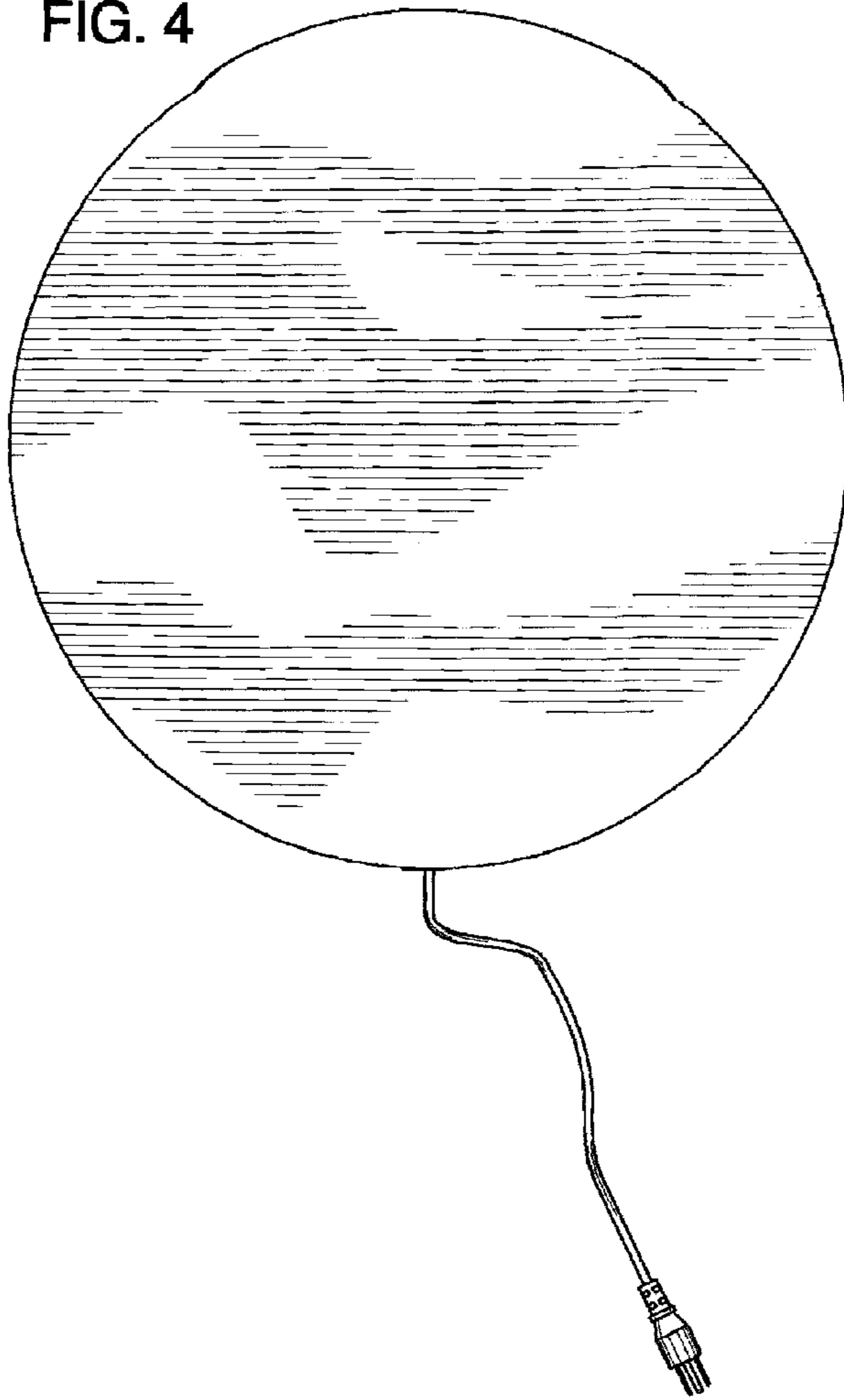


FIG. 5

