

US00D546238S

(12) **United States Design Patent**  
**Roth et al.**

(10) **Patent No.:** **US D546,238 S**

(45) **Date of Patent:** **\*\* Jul. 10, 2007**

(54) **CHRISTMAS TREE TIN**

(75) Inventors: **Lloyd Roth**, Farmingdale, NY (US);  
**Dominick Lucido**, Smithtown, NY  
(US)

(73) Assignee: **Tin Box Company**, Farmingdale, NY  
(US)

(\*\*) Term: **14 Years**

(21) Appl. No.: **29/235,942**

(22) Filed: **Aug. 9, 2005**

(51) **LOC (8) Cl.** ..... **11-04**

(52) **U.S. Cl.** ..... **D11/118; D11/117**

(58) **Field of Classification Search** ..... D11/117,  
D11/118, 120, 121, 124, 125, 127, 130, 130.1;  
428/7, 15, 17, 18; D9/414, 600, 617, 659  
See application file for complete search history.

(56) **References Cited**

**U.S. PATENT DOCUMENTS**

D95,468 S *	4/1935	Marter	.....	D11/118
2,203,016 A *	6/1940	Hahn, Jr. et al.	.....	428/7
2,956,357 A *	10/1960	Rakes	.....	40/457
3,210,232 A *	10/1965	Wielland	.....	428/7
4,130,678 A *	12/1978	Higgins	.....	428/9

D349,469 S \* 8/1994 Mitchell ..... D11/130  
5,942,294 A \* 8/1999 Heim ..... 428/18

\* cited by examiner

*Primary Examiner*—Stella Reid

*Assistant Examiner*—Elizabeth J. Oswecki

(74) *Attorney, Agent, or Firm*—Wolf Block Schorr &  
Solis-Cohen LLP; William H. Dippert

(57) **CLAIM**

The ornamental design for a Christmas tree tin, as shown and described.

**DESCRIPTION**

FIG. 1 illustrates a perspective view of a Christmas tree tin of the present invention;

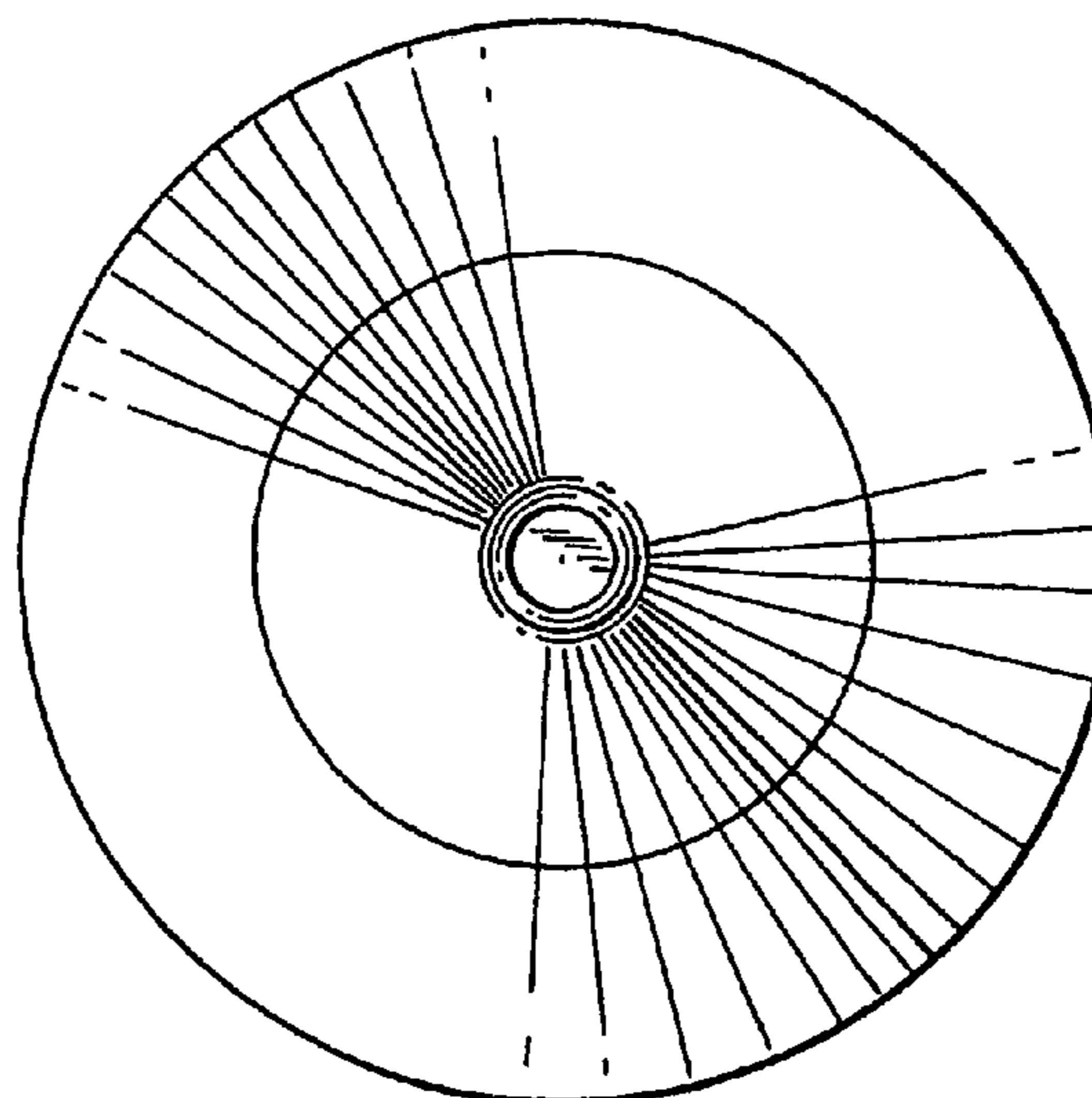
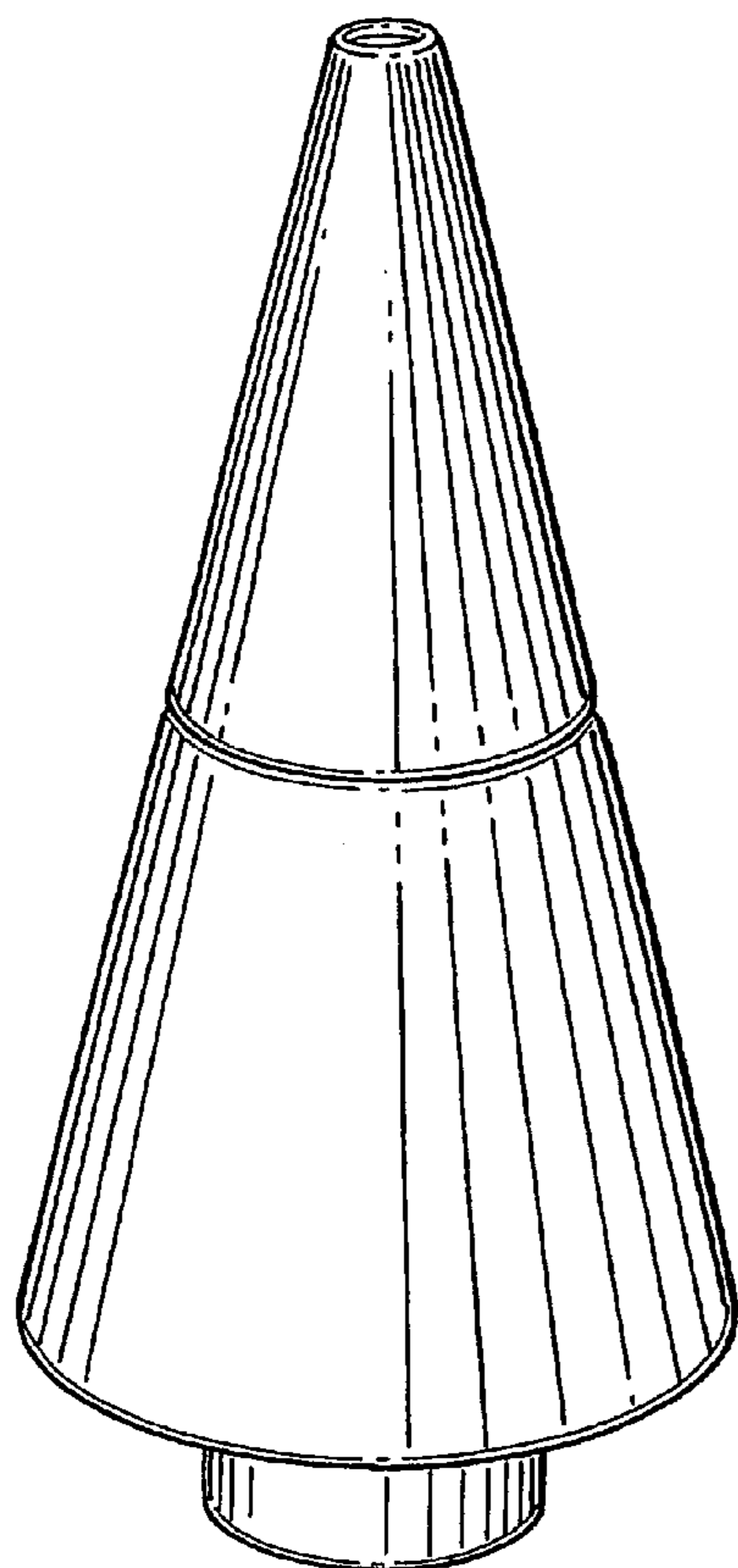
FIG. 2 illustrates a top view of the Christmas tree tin of the present invention;

FIG. 3 illustrates a front view of the Christmas tree tin of the present invention, the back view, the right side view and the left side view thereof being the same as the front view; and,

FIG. 4 illustrates a bottom view of the Christmas tree tin of the present invention.

The broken lines of FIGS. 1–4 are for illustrative purposes only and form no part of the claimed design.

**1 Claim, 2 Drawing Sheets**



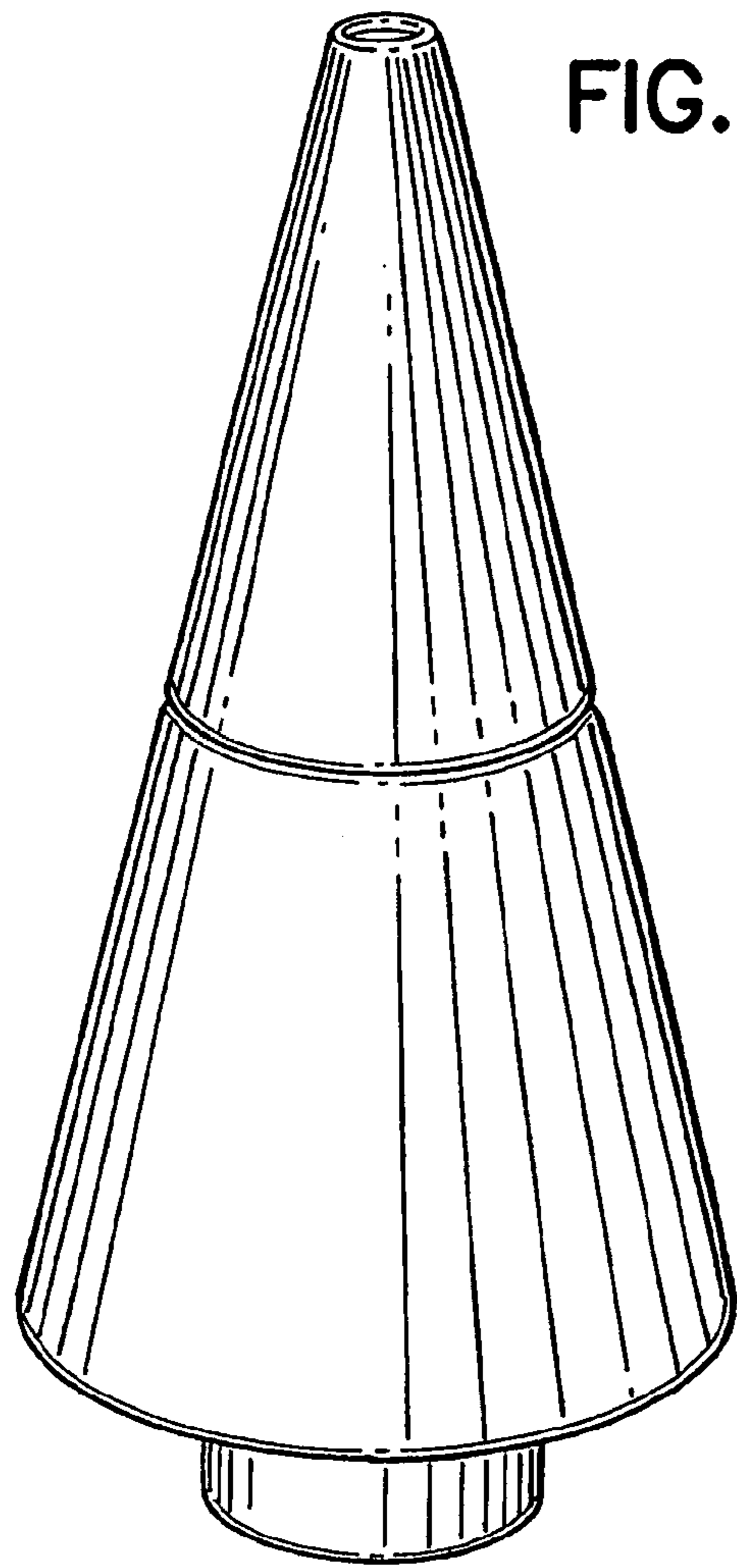


FIG. 1

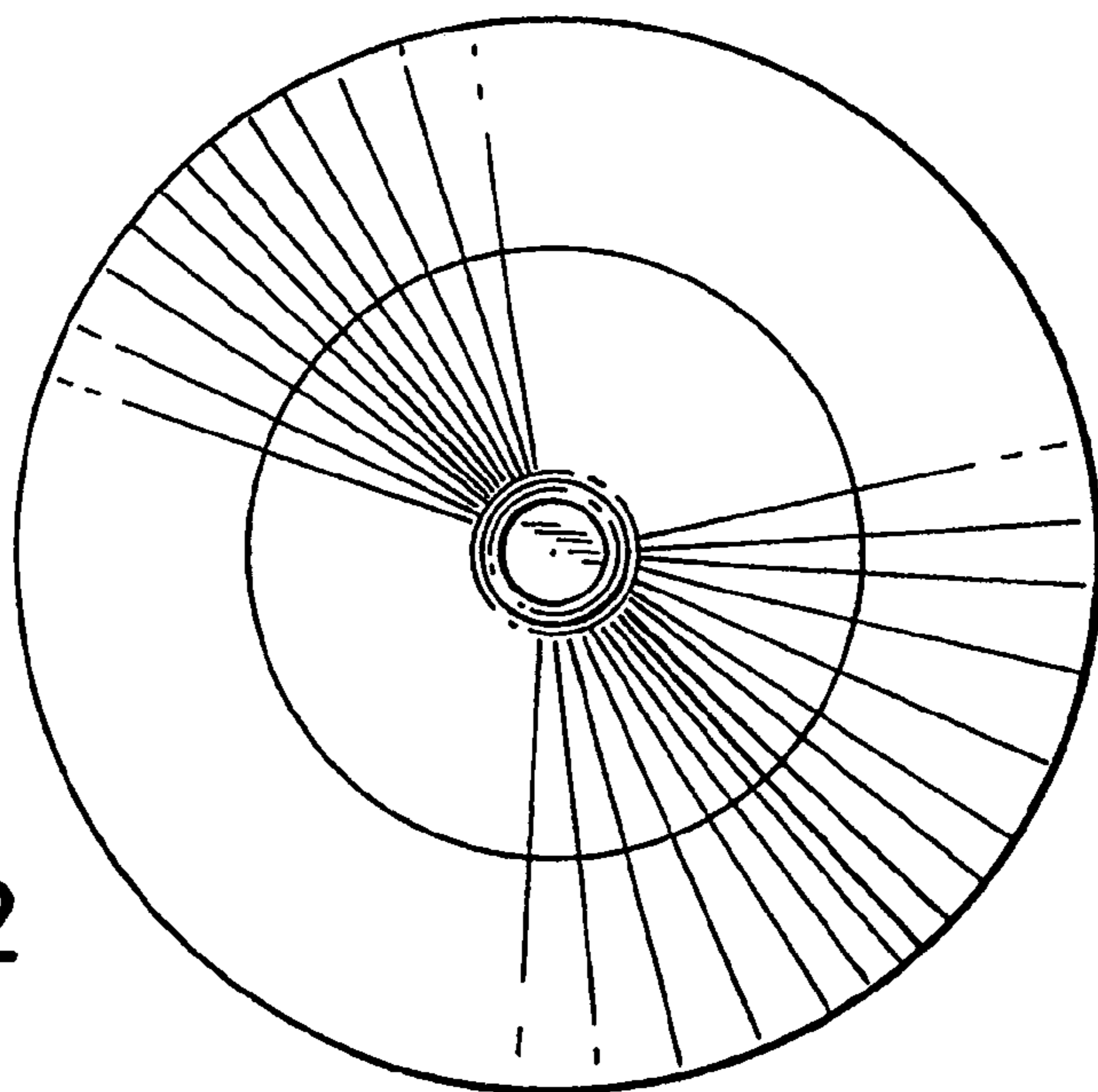


FIG. 2

