



US00D546223S

(12) **United States Design Patent**
Nataf

(10) **Patent No.:** **US D546,223 S**
(45) **Date of Patent:** **** Jul. 10, 2007**

(54) **WATCH DIAL**

D528,032 S * 9/2006 Lovegrove D10/126

(75) Inventor: **Thierry Nataf**, Paris (FR)

OTHER PUBLICATIONS

(73) Assignee: **Zenith International, SA** (CH)

Watches International VI, The original Annual of the World's Finest Wristwatches, copyright 2005, Tourbillon International LLC, p. 134, Breguet Classique Tourbillon Regulator watch.*

(**) Term: **14 Years**

Watches International VI, The original Annual of the World's Finest Wristwatches, copyright 2005, Tourbillon International LLC, p. 191, Corum "Tourbillon Saphir 2004" watch.*

(21) Appl. No.: **29/266,620**

Watches International VI, The original Annual of the World's Finest Wristwatches, copyright 2005, Tourbillon International LLC, p. 525, Zenith "Grande Chronomaster XT" watch.*

(22) Filed: **Sep. 25, 2006**

(30) **Foreign Application Priority Data**

* cited by examiner

Mar. 29, 2006 (WO) DM/067 672

Primary Examiner—Lucy Lieberman

(51) **LOC (8) Cl.** **10-07**

(74) *Attorney, Agent, or Firm*—Lott & Friedland, PA

(52) **U.S. Cl.** **D10/126**

(58) **Field of Classification Search** D10/123–126,
D10/129, 30–39; 368/223, 228, 229, 231,
368/232, 233, 234, 235, 285, 276, 281–283,
368/318

(57) **CLAIM**

See application file for complete search history.

The ornamental design for a watch dial, substantially as shown and described.

(56) **References Cited**

DESCRIPTION

U.S. PATENT DOCUMENTS

FIG. 1 is a perspective view of the watch dial of the present invention;

- D18,723 S * 11/1888 Ward D10/129
- 533,722 A * 2/1895 Moeri 368/318
- 785,440 A * 3/1905 Schatzmann 368/229
- 1,513,526 A * 10/1924 Allenbaugh 368/233
- D481,966 S * 11/2003 Journe D10/126
- D497,321 S * 10/2004 Nataf D10/126
- 6,826,122 B2 * 11/2004 Zaugg 368/28
- D505,342 S * 5/2005 Hayek D10/39
- D517,432 S * 3/2006 Laucella D10/39
- D521,395 S * 5/2006 Slimane D10/32
- D524,181 S * 7/2006 Nataf D10/126
- D524,677 S * 7/2006 Nataf D10/126

FIG. 2 is a front view of the watch dial shown in FIG. 1;

FIG. 3 is a rear view of the watch dial shown in FIG. 1;

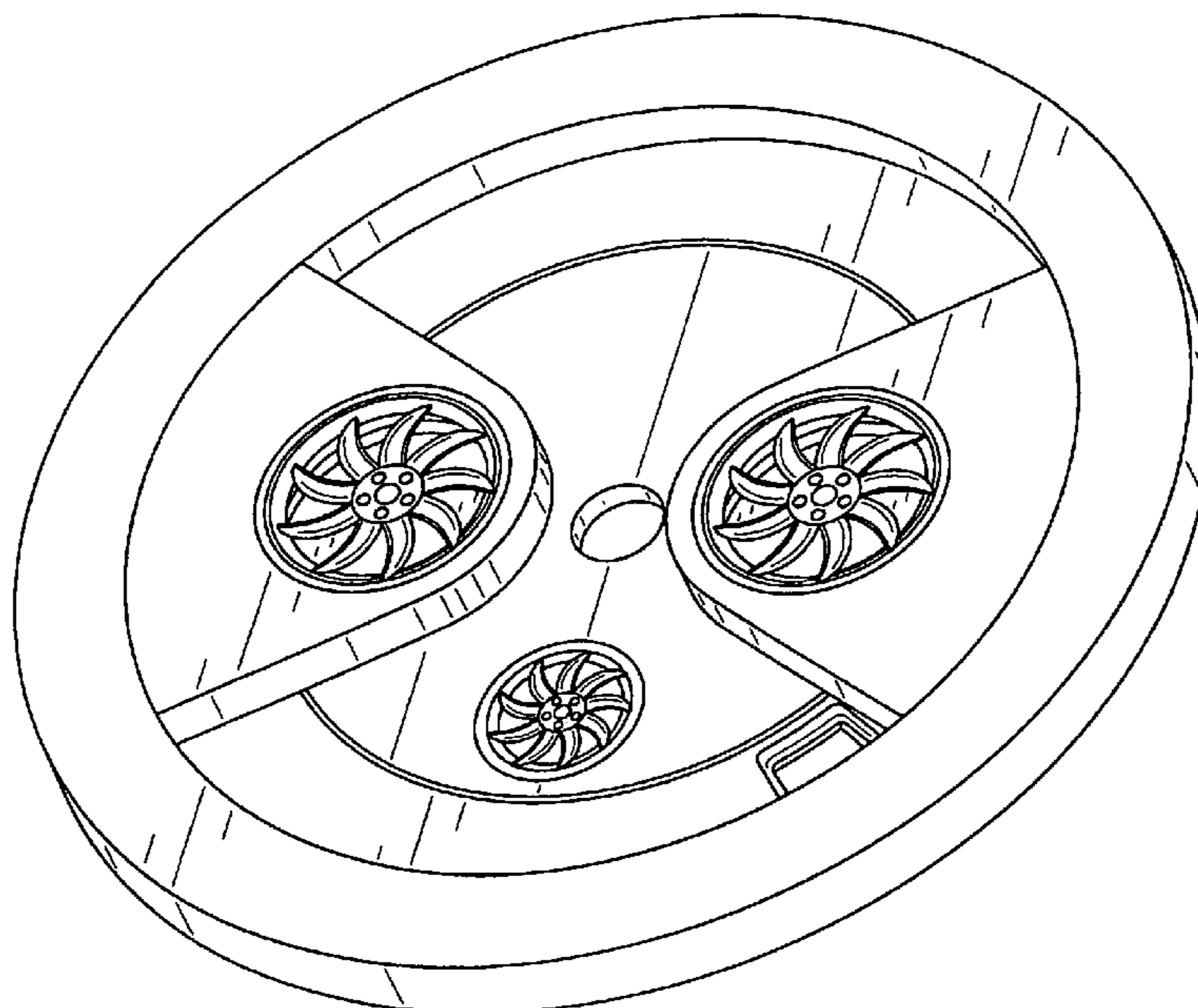
FIG. 4 is a left side elevational view of the watch dial shown in FIG. 1;

FIG. 5 is a right side elevational view of the watch dial shown in FIG. 1;

FIG. 6 is a top view of the watch dial shown in FIG. 1; and,

FIG. 7 is a bottom view of the watch dial shown in FIG. 1.

1 Claim, 5 Drawing Sheets



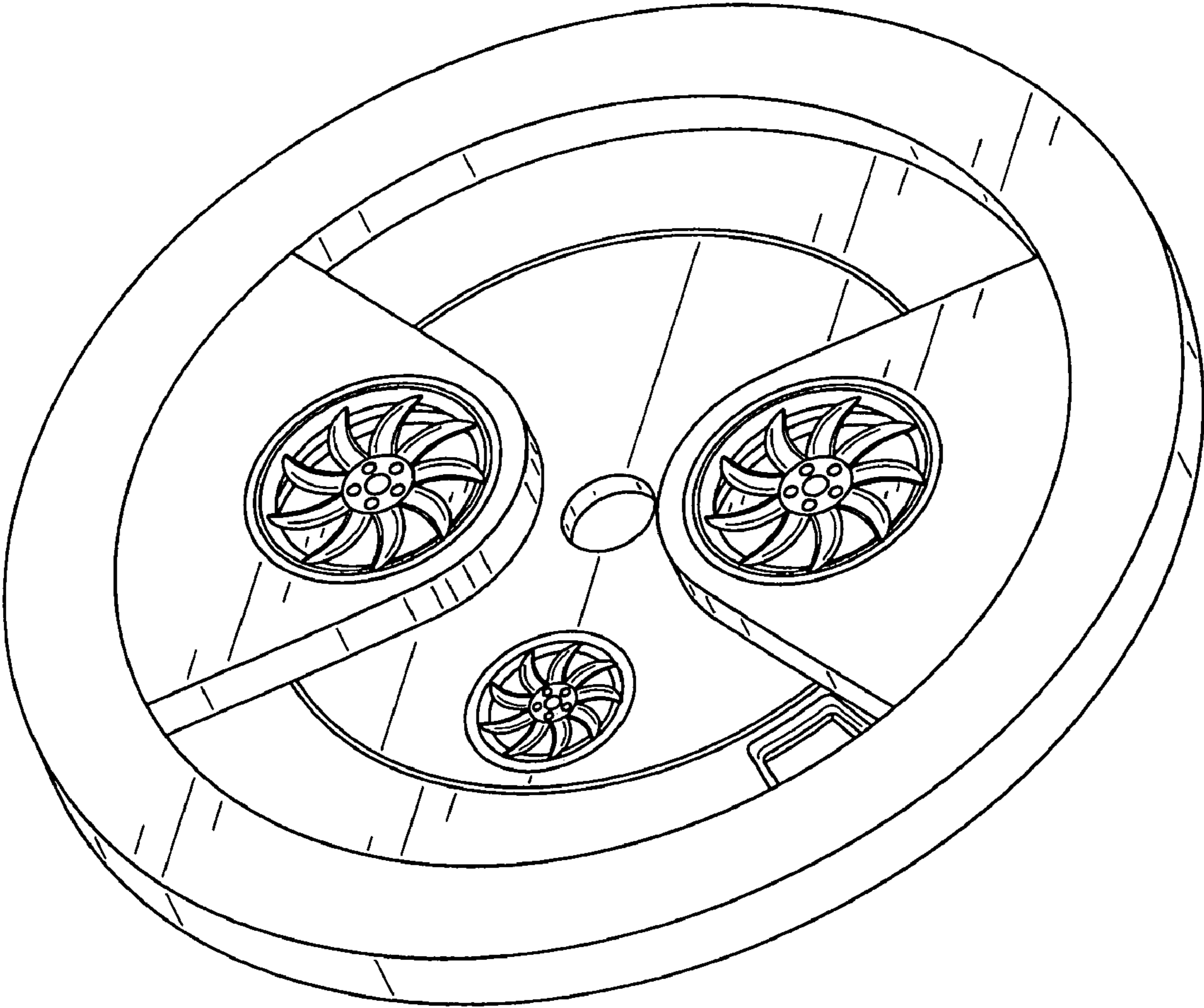


FIG. 1

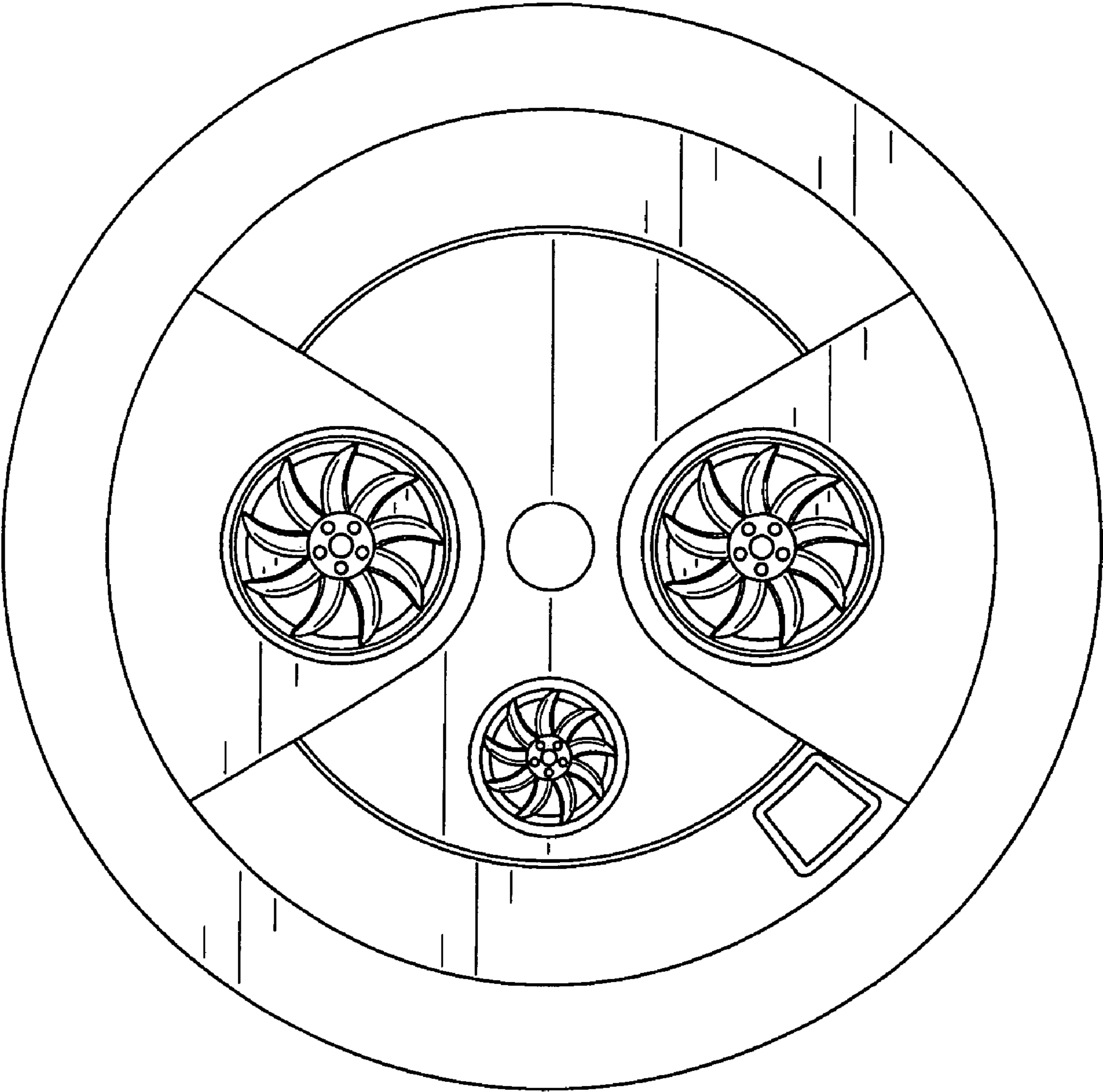


FIG. 2

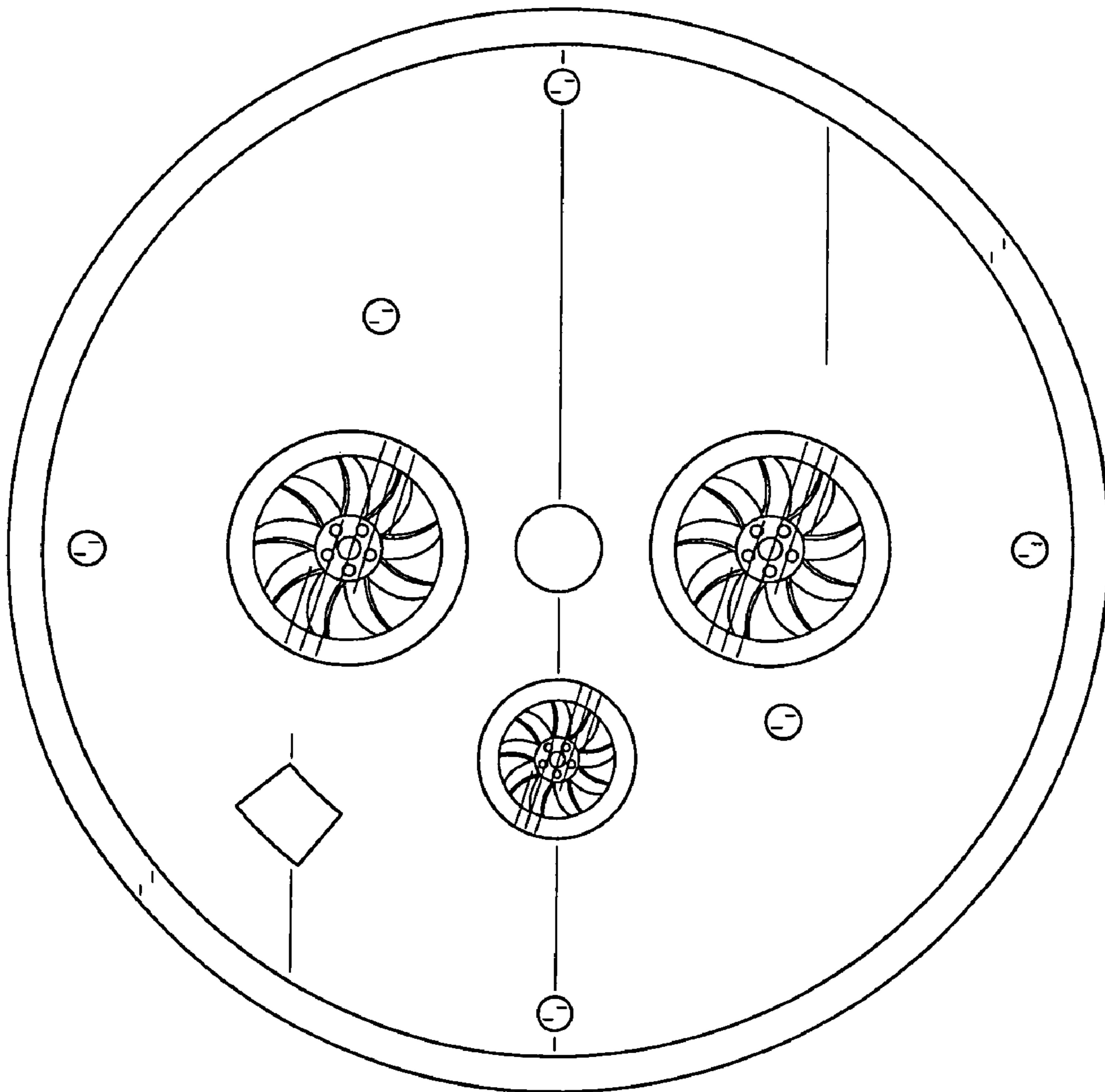


FIG. 3

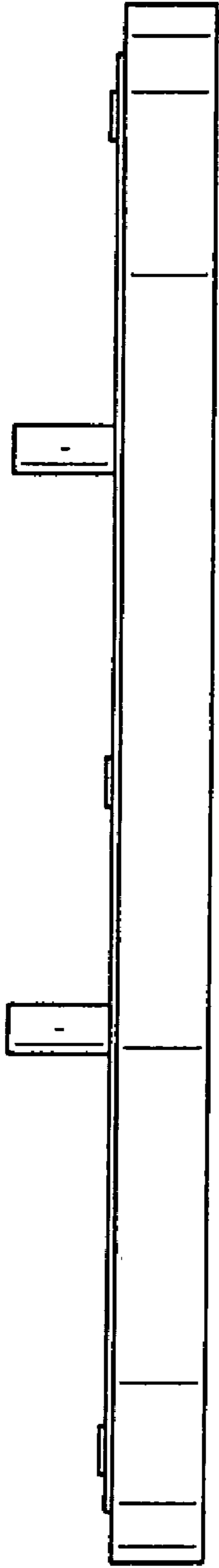


FIG. 4

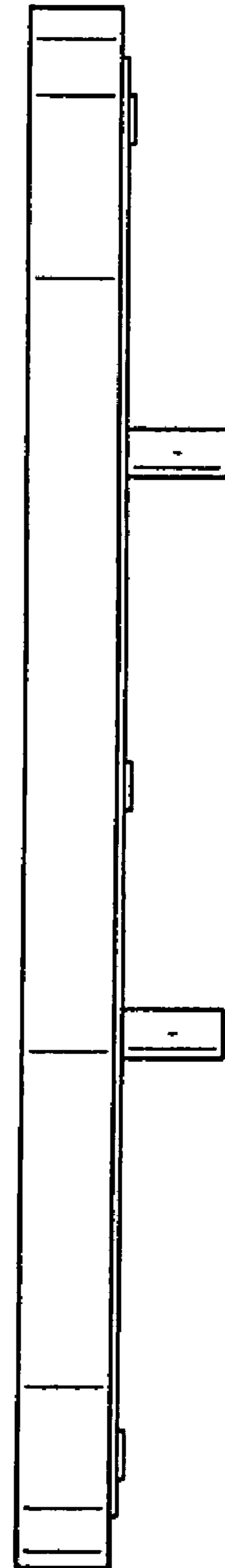


FIG. 5



FIG. 6

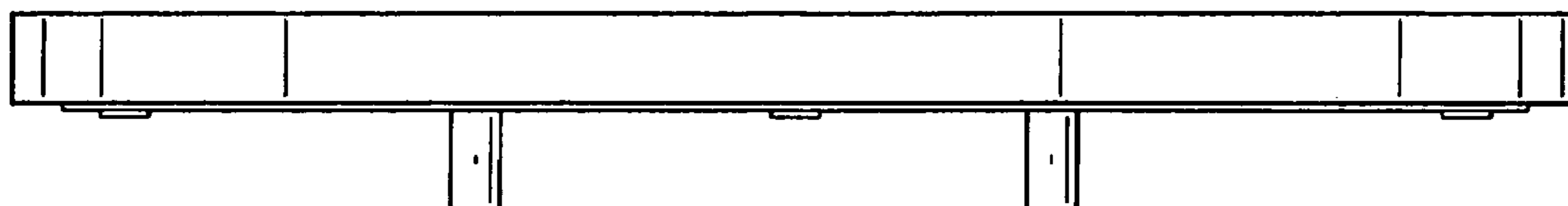


FIG. 7