

US00D546222S

(12) **United States Design Patent**
Gutmann et al.

(10) **Patent No.:** **US D546,222 S**

(45) **Date of Patent:** **** Jul. 10, 2007**

(54) **SCALE**

D493,115 S * 7/2004 Juteau D10/92

D528,936 S * 9/2006 Kuskovsky et al. D10/92

(75) Inventors: **Peter Gutmann**, Thalweil (CH);
Markus Fischer, Esslingen (DE); **Elias Knubben**, Ostfildern-Nellingen (DE)

(73) Assignee: **Biocomfort GmbH & Co. KG**,
Esslingen (DE)

* cited by examiner

Primary Examiner—Antoine D. Davis

(74) *Attorney, Agent, or Firm*—Hoffmann & Baron, LLP

(**) Term: **14 Years**

(21) Appl. No.: **29/258,326**

(57) **CLAIM**

The ornamental design for a scale, as shown and described.

(22) Filed: **Apr. 20, 2006**

(30) **Foreign Application Priority Data**

DESCRIPTION

Nov. 14, 2005 (EM) 000430418

(51) **LOC (8) Cl.** **10-04**

(52) **U.S. Cl.** **D10/92**

(58) **Field of Classification Search** D10/87-95;
177/4, 25.12-25.16, 177, 199, 210 R, 238-245,
177/DIG. 3, 262, 210 C, 30, 126-127; 324/692,
324/512, 515, 806; 600/506, 547
See application file for complete search history.

FIG. 1 is a perspective view of a scale showing our new design;

FIG. 2 is a front elevation view thereof;

FIG. 3 is a back elevation view thereof;

FIG. 4 is a top elevation view thereof;

FIG. 5 is a bottom elevation view thereof;

FIG. 6 is a left side elevation view thereof; and,

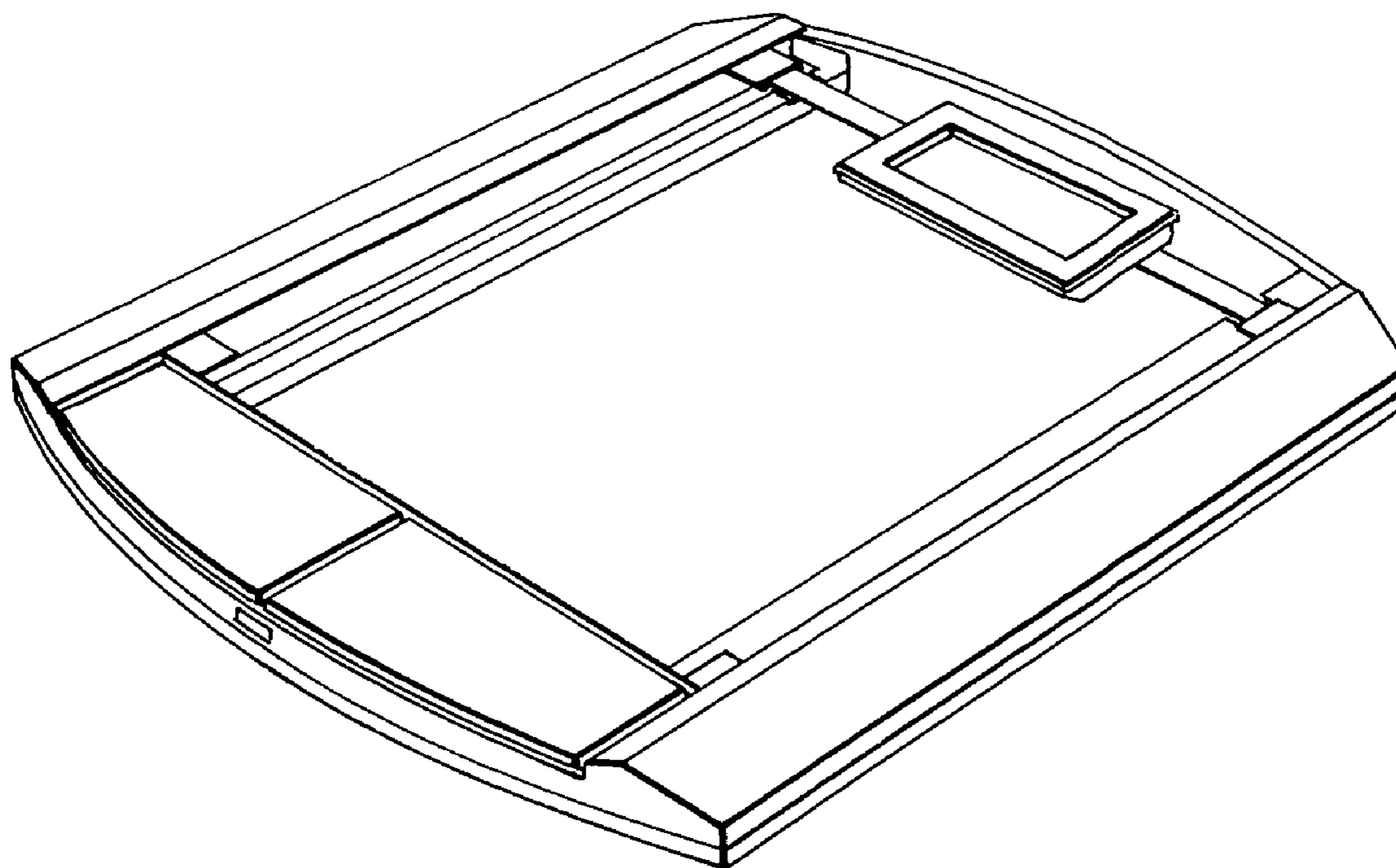
FIG. 7 is a right side elevation view thereof.

(56) **References Cited**

U.S. PATENT DOCUMENTS

D433,952 S * 11/2000 Dal Toso D10/92

1 Claim, 7 Drawing Sheets



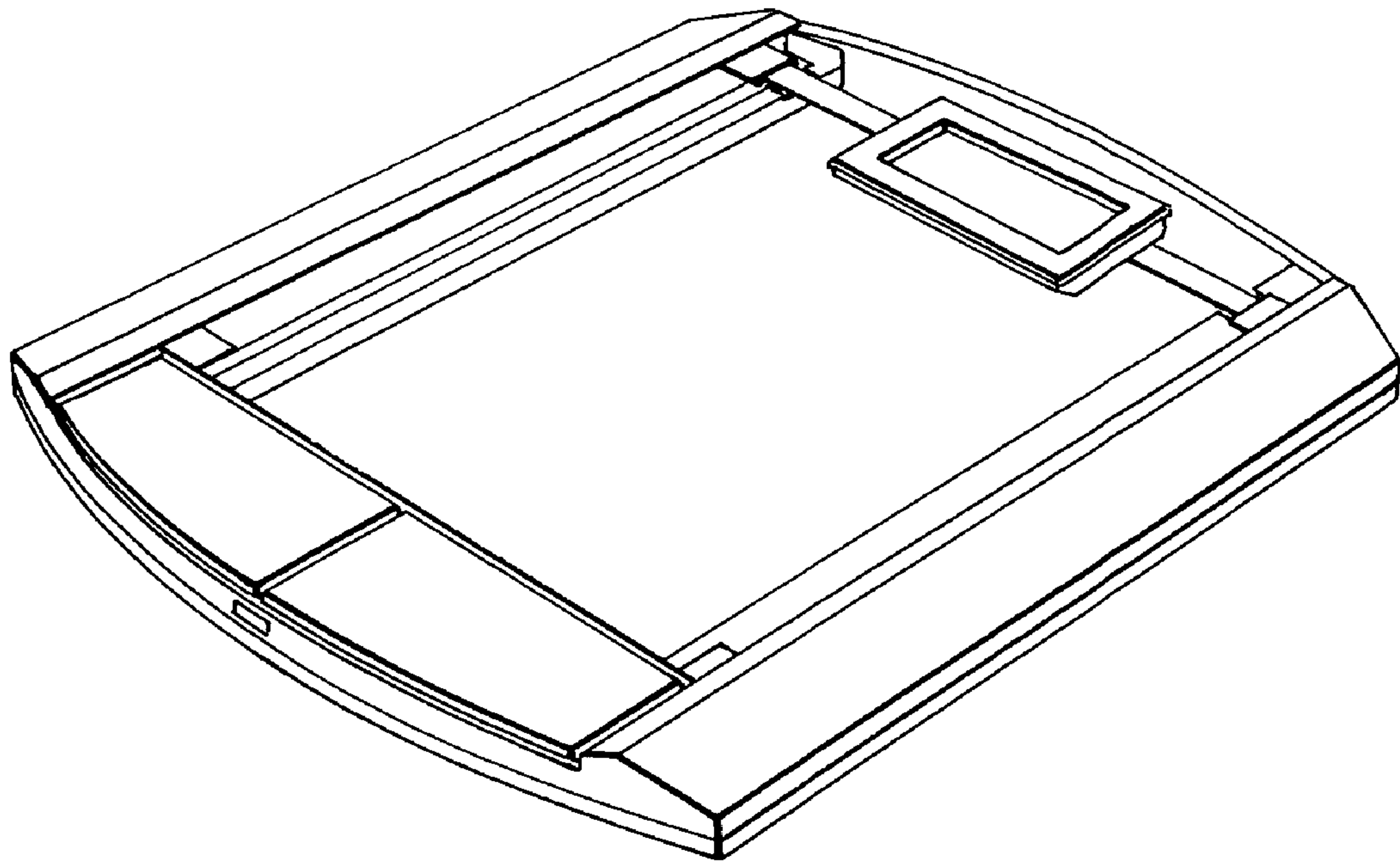


FIG. 1

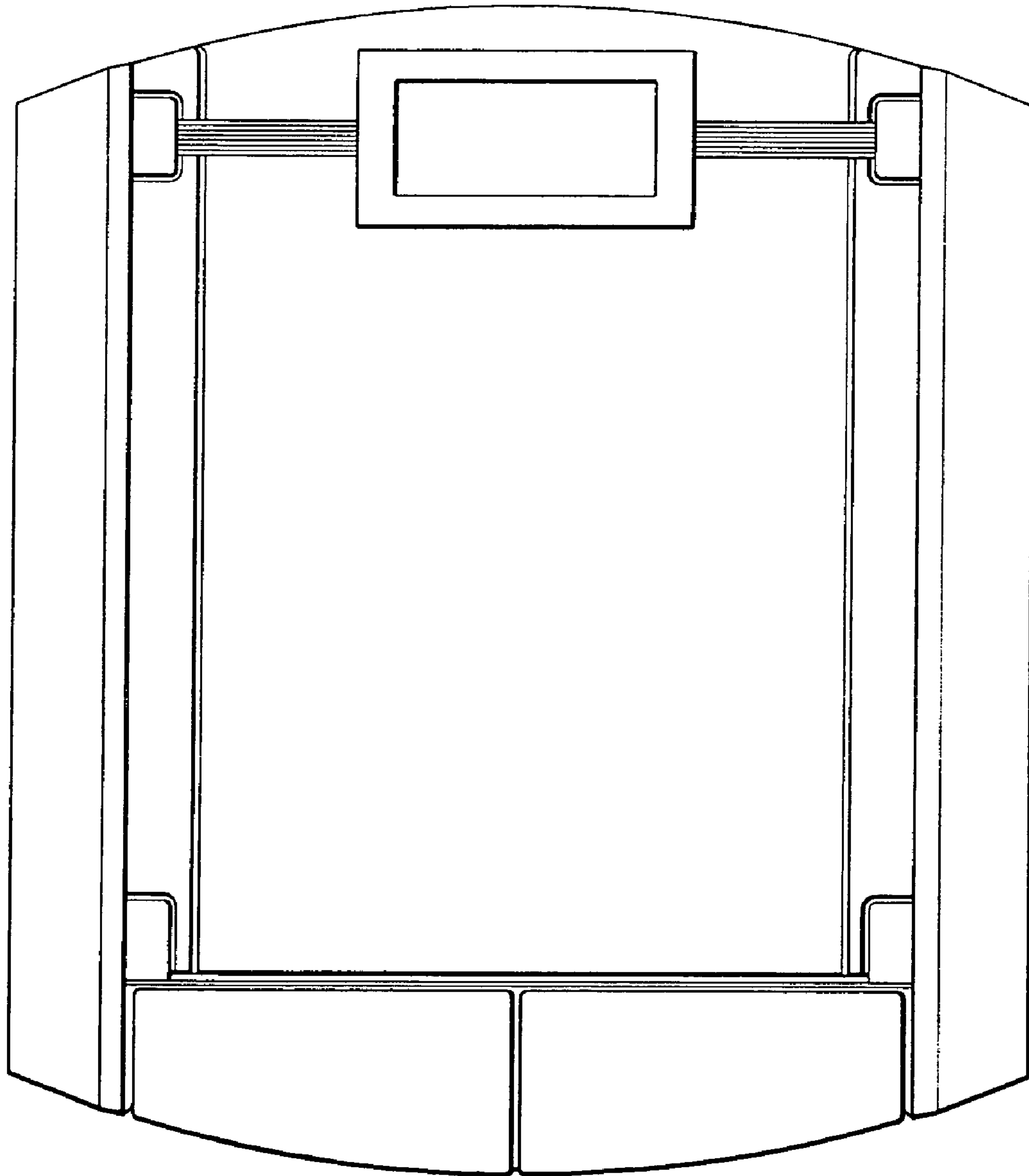


FIG. 2

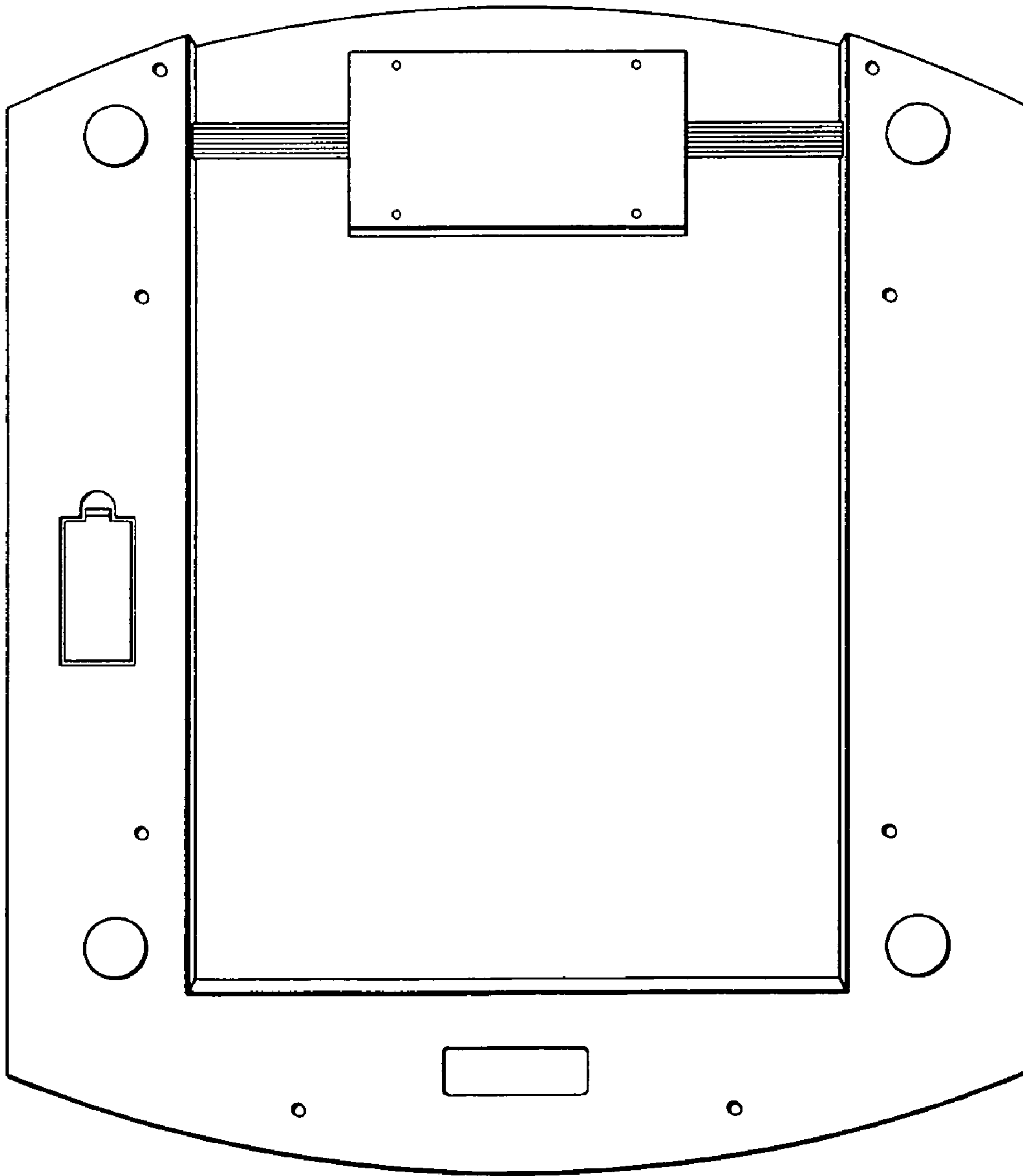


FIG. 3

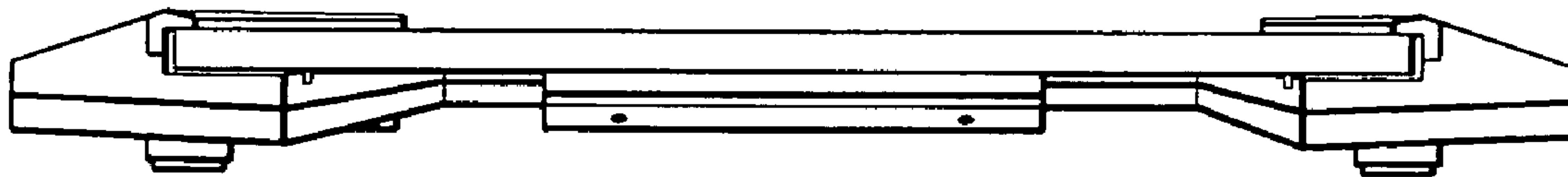


FIG. 4

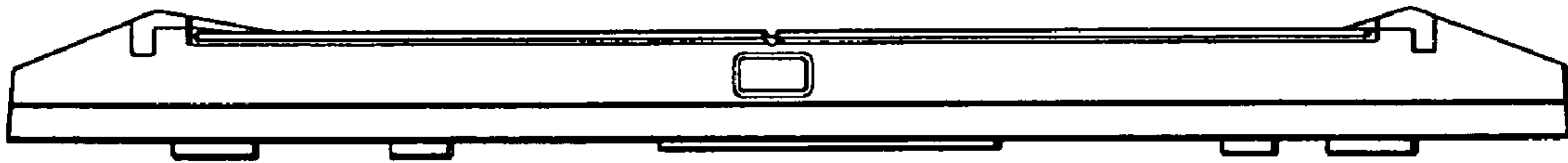


FIG. 5

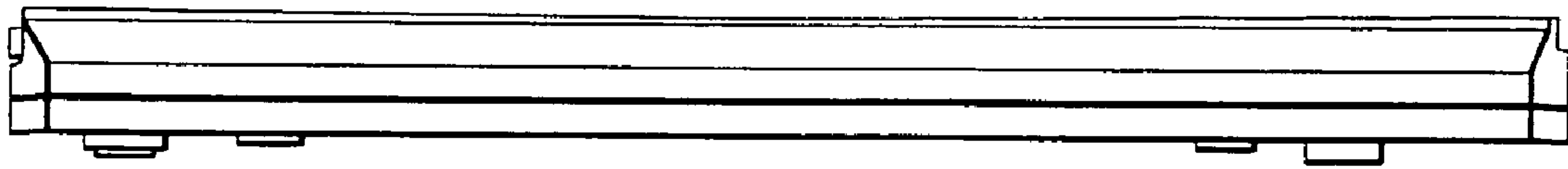


FIG. 6

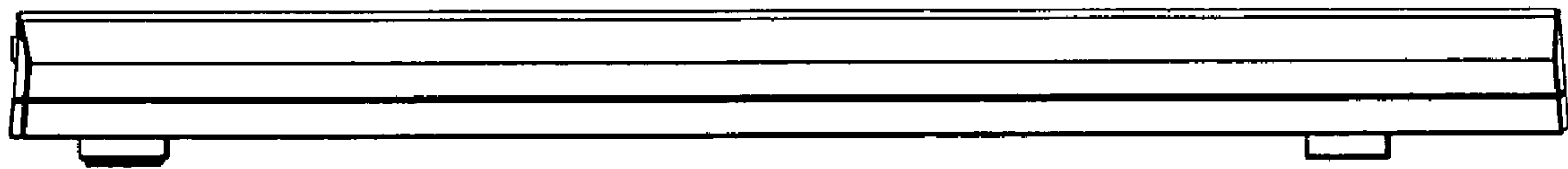


FIG. 7