

US00D546218S

(12) **United States Design Patent**  
**Grasso et al.**

(10) **Patent No.:** **US D546,218 S**  
(45) **Date of Patent:** **\*\* Jul. 10, 2007**

(54) **ANALYTE TEST METER**

(75) Inventors: **Anthony Grasso**, Woodinville, WA (US); **Darren Crow**, Mercer Island, WA (US); **William L. Richardson**, Duvall, WA (US); **Enrico Tresoldi**, Carugate (IT); **Riccardo Butta**, Vercurago (IT); **Jean Bidegainberry**, San Francisco, CA (US)

6,240,325	B1 *	5/2001	Brundisini .....	700/19
6,335,203	B1 *	1/2002	Patel et al. ....	422/58
6,771,252	B2 *	8/2004	Miller et al. ....	345/160
6,788,286	B2 *	9/2004	Travers et al. ....	345/156
6,788,293	B1 *	9/2004	Silverbrook et al. ....	345/173
D499,805	S *	12/2004	D'Agostino .....	D10/81
7,057,887	B2 *	6/2006	Webb et al. ....	361/681
7,068,256	B1 *	6/2006	Gettemy et al. ....	345/156
7,071,924	B2 *	7/2006	Wilbrink et al. ....	345/168

(73) Assignee: **LifeScan Scotland Ltd.**, Inverness (GB)

\* cited by examiner

*Primary Examiner*—Antoine D. Davis

(\*\*) Term: **14 Years**

(57) **CLAIM**

(21) Appl. No.: **29/261,022**

We claim the ornamental design for an analyte test meter, as shown and described.

(22) Filed: **Jun. 5, 2006**

(51) **LOC (8) Cl.** ..... **10-04**

(52) **U.S. Cl.** ..... **D10/81; D10/78**

(58) **Field of Classification Search** ..... D10/78, D10/81; D24/224, 232; 205/785.5, 787.5, 205/782; 204/415, 416, 403.02, 403.06, 204/409, 412, 435; 700/17, 431, 499, 866.3; 600/345; 345/824, 156, 158; 455/12.1, 455/86, 406; 422/50, 58, 61-63, 67, 68.1, 422/80, 82.03

See application file for complete search history.

**DESCRIPTION**

FIG. 1 is a top perspective view of the analyte test meter, as seen from the top, front and side;

FIG. 2 is a top perspective view of the analyte test meter, as seen from the top, back and side;

FIG. 3 is a bottom plan view thereof;

FIG. 4 is a first side elevational view thereof;

FIG. 5 is a second side elevational view thereof;

FIG. 6 is a front elevational view thereof; and,

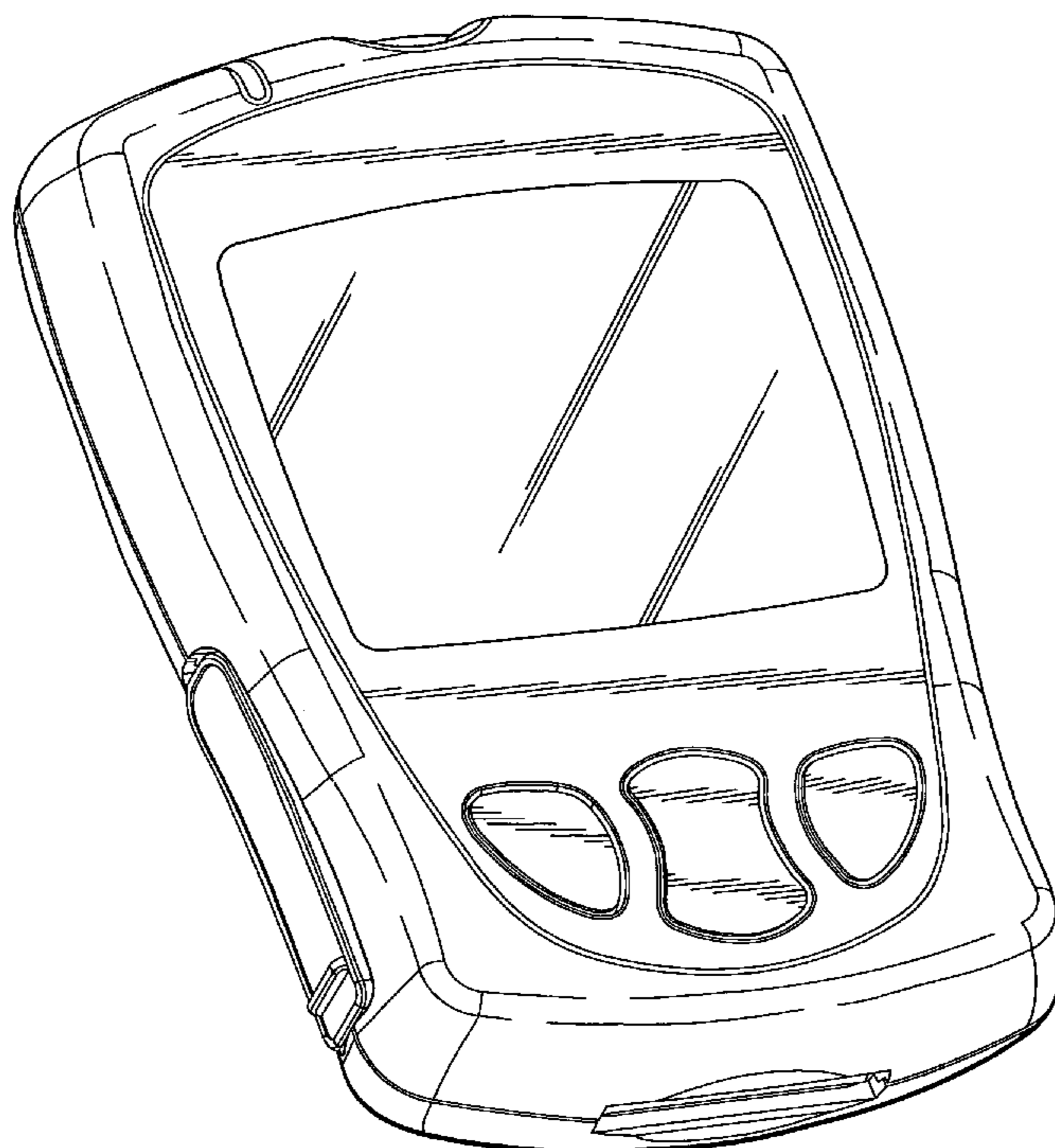
FIG. 7 is a rear elevational view thereof.

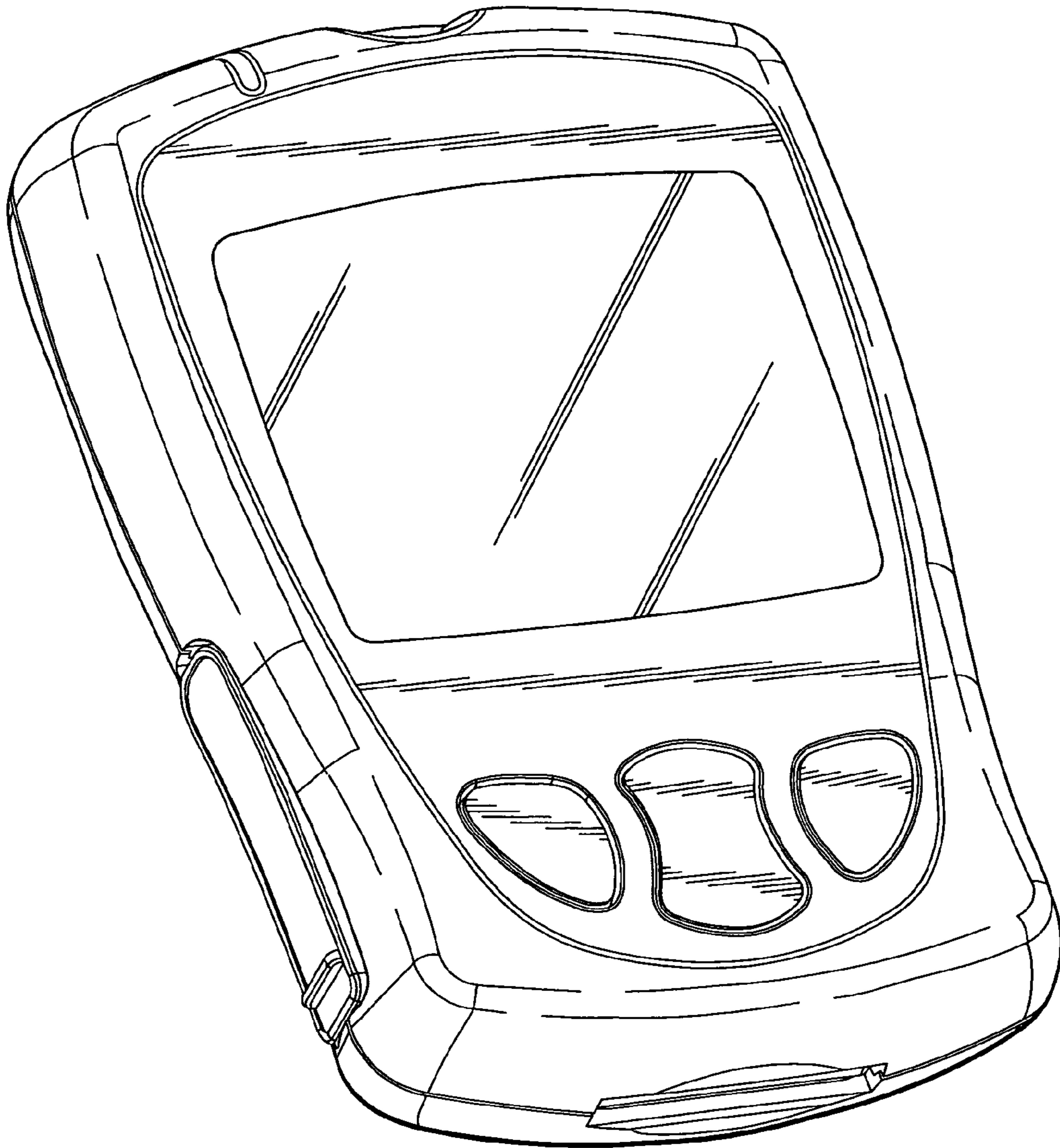
(56) **References Cited**

**U.S. PATENT DOCUMENTS**

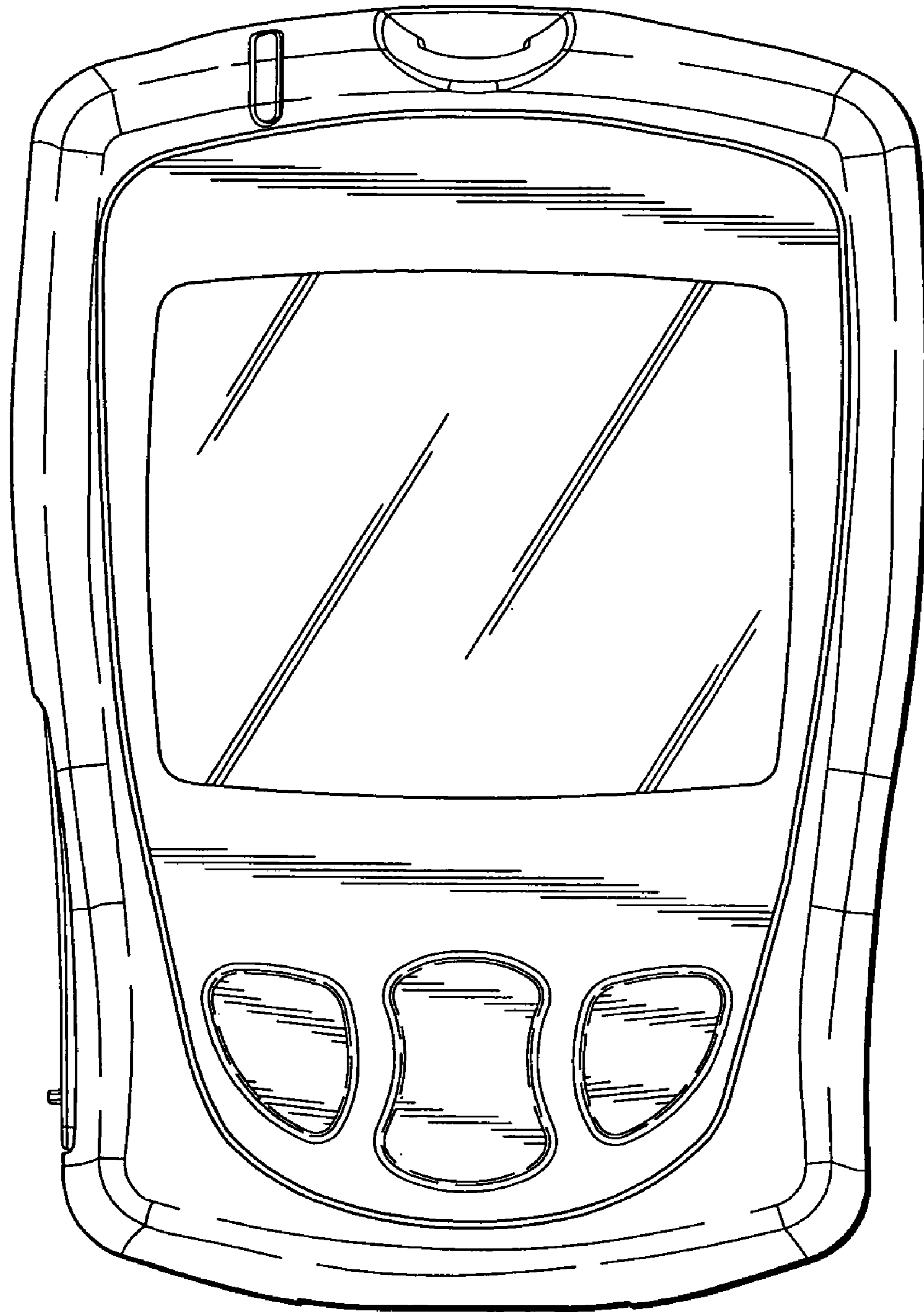
5,877,953 A \* 3/1999 Clendenen et al. .... 700/17

**1 Claim, 5 Drawing Sheets**

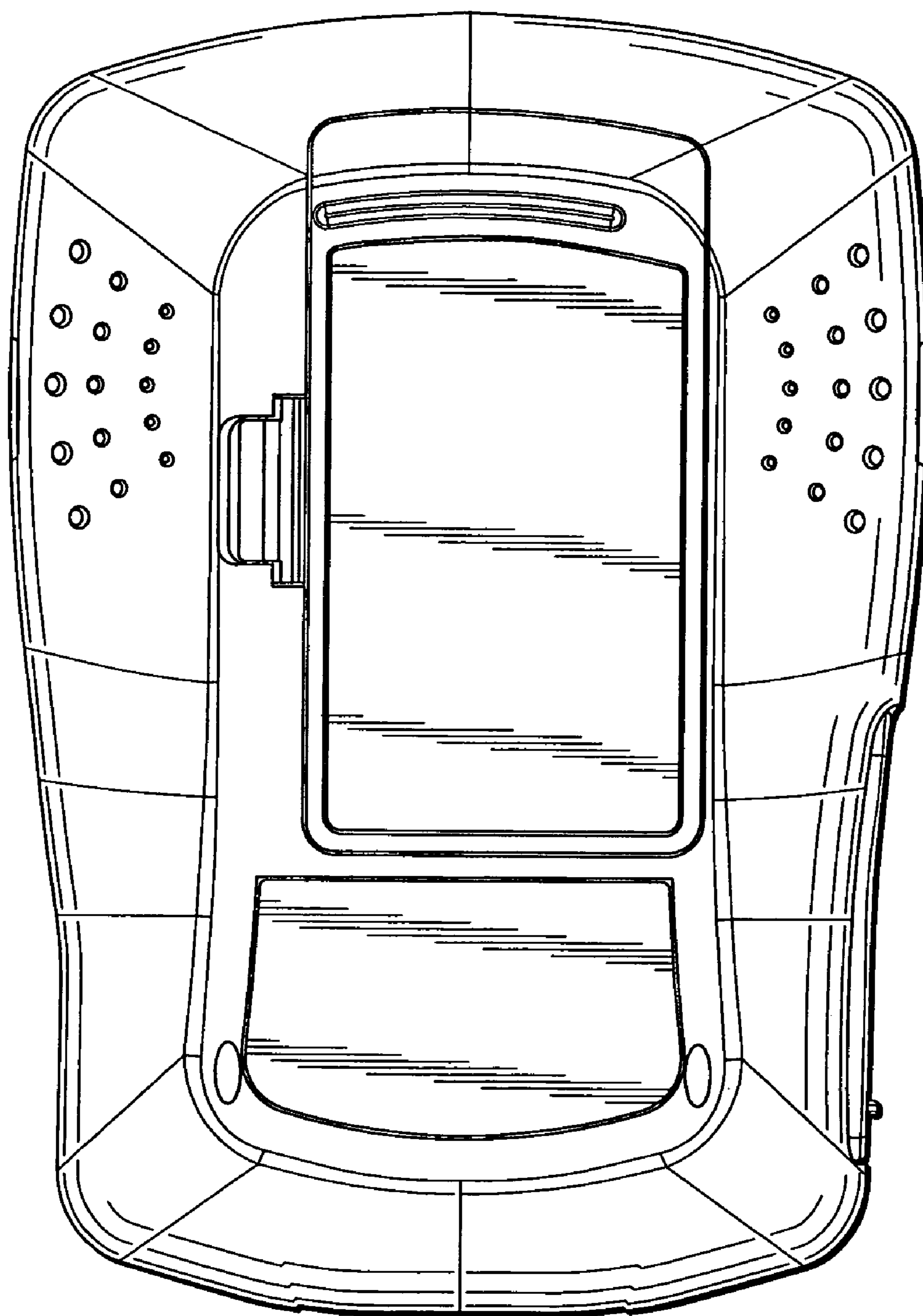




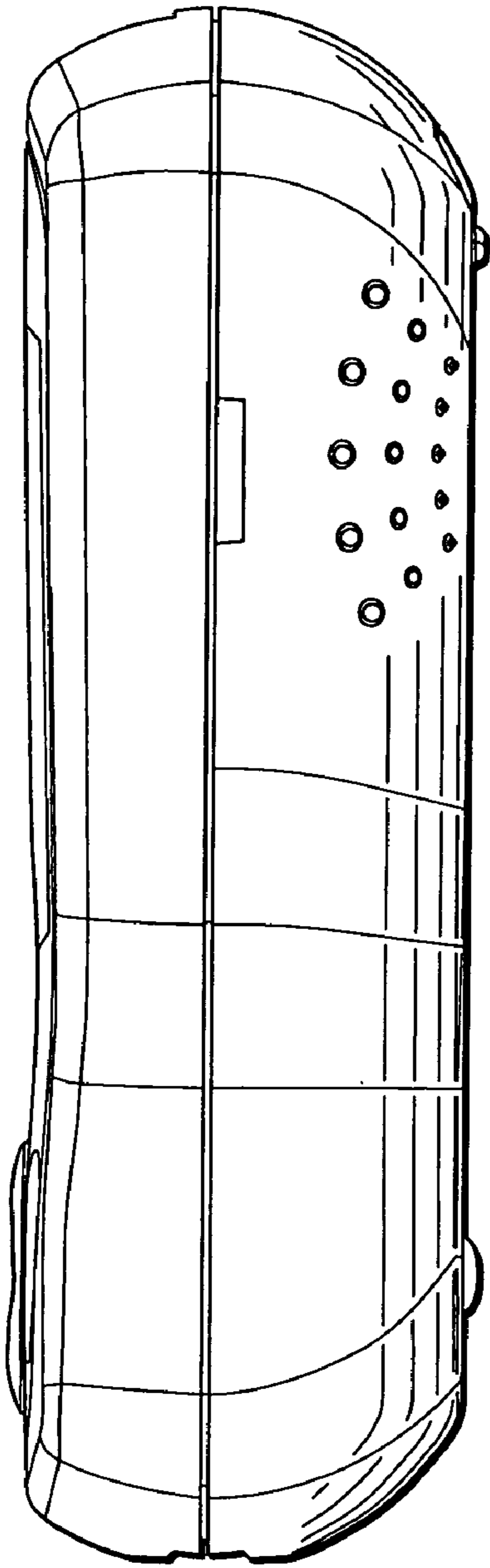
*FIG.-1*



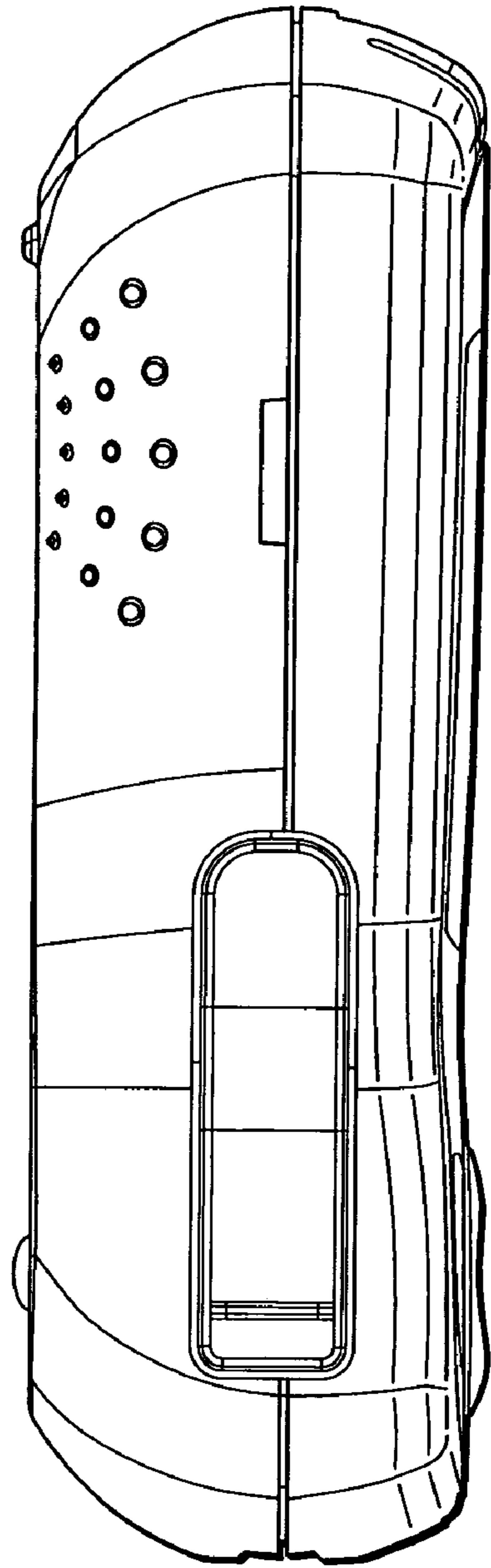
**FIG.-2**



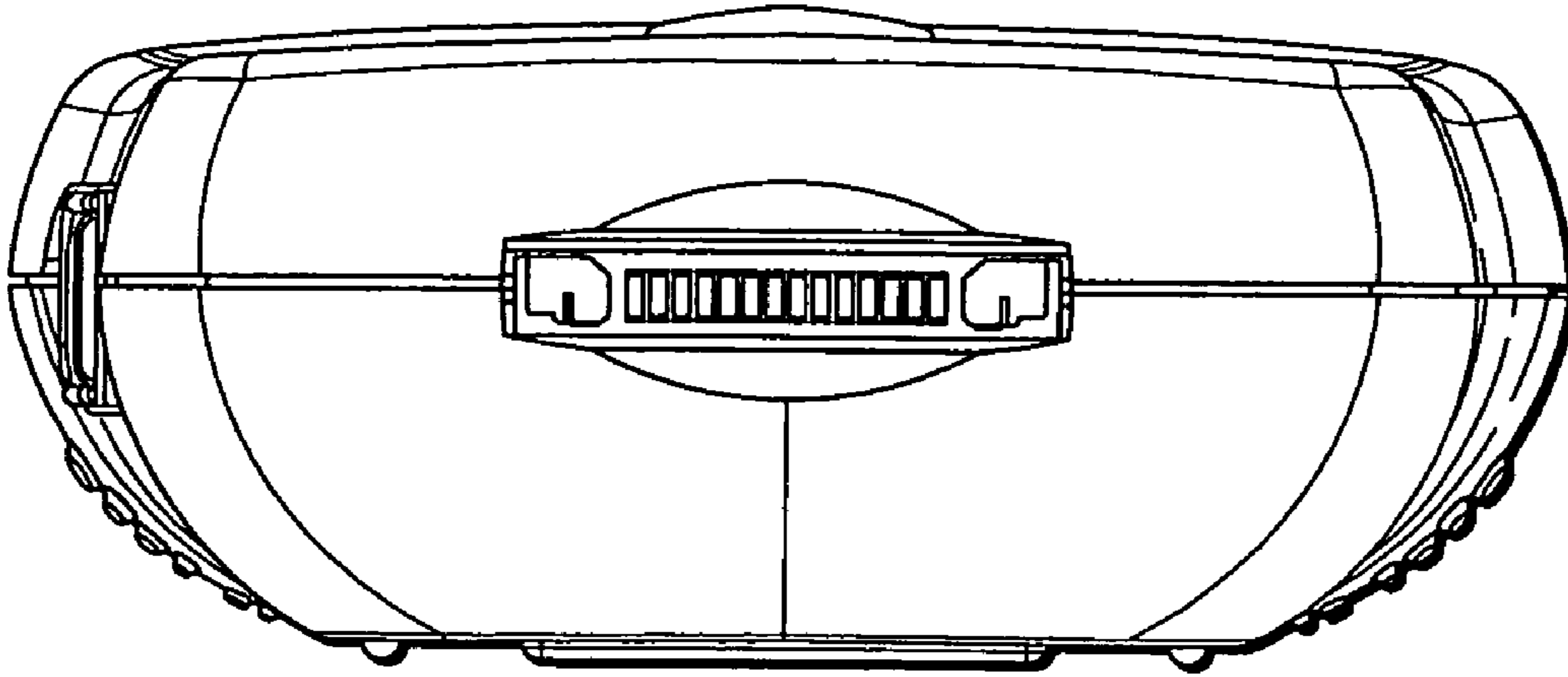
**FIG.-3**



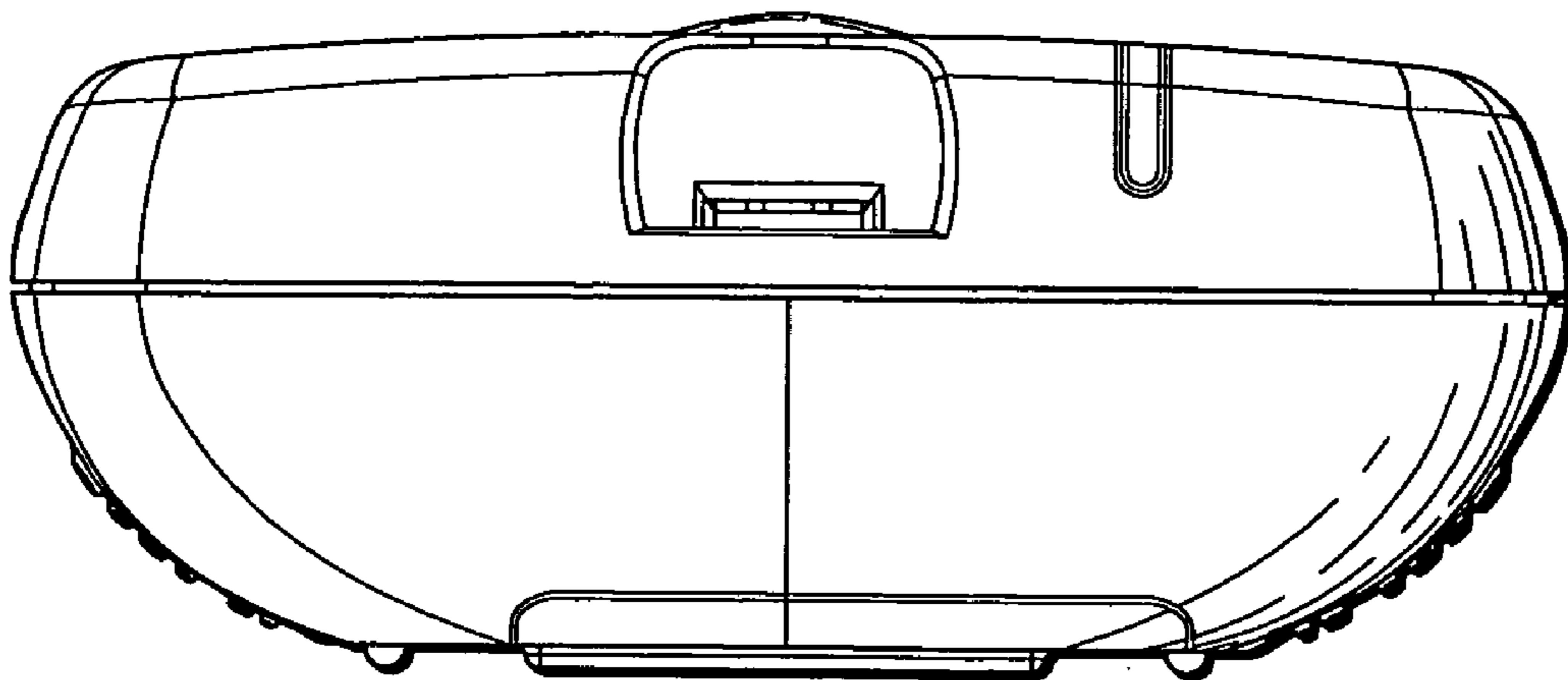
*FIG.-4*



*FIG.-5*



*FIG.-6*



*FIG.-7*