



US00D546217S

(12) **United States Design Patent**
Bailey et al.

(10) **Patent No.:** **US D546,217 S**

(45) **Date of Patent:** **** Jul. 10, 2007**

(54) **GAS CHROMATOGRAPH**

(75) Inventors: **Max A. Bailey**, Bartlesville, OK (US);
Vince B. Hadley, Bartlesville, OK
(US); **Jonathan W. Asher**, Bartlesville,
OK (US); **Rodney Wayne Dilbeck**,
Bartlesville, OK (US); **Anthony P.**
Walker, Bartlesville, OK (US); **Steven**
Gene Lakey, Bartlesville, OK (US);
Stephen P. Paetz, Bartlesville, OK
(US); **Brent E. Berry**, Bartlesville, OK
(US); **Robert W. Rutledge**,
Collinsville, OK (US)

(73) Assignee: **ABB Inc.**, Norwalk, CT (US)

(**) Term: **14 Years**

(21) Appl. No.: **29/237,644**

(22) Filed: **Sep. 2, 2005**

(51) **LOC (8) Cl.** **10-04**

(52) **U.S. Cl.** **D10/81**

(58) **Field of Classification Search** D10/81;
73/23.35, 23.36, 23.4, 23.41, 23.42; 137/487.5;
356/315, 417; 422/89

See application file for complete search history.

(56) **References Cited**

U.S. PATENT DOCUMENTS

2002/0043097 A1* 4/2002 Muto 73/23.35

2004/0083826 A1* 5/2004 Botha et al. 73/863.21
2006/0065122 A1* 3/2006 Song et al. 96/105

* cited by examiner

Primary Examiner—Antoine D. Davis

(74) *Attorney, Agent, or Firm*—Paul R. Katterle

(57) **CLAIM**

The ornamental design for a gas chromatograph, as shown and described.

DESCRIPTION

FIG. 1 is a front, right side and top perspective view of a gas chromatograph of the present invention;

FIG. 2 is a front, bottom and right side perspective view of the FIG. 1 gas chromatograph;

FIG. 3 is a front elevational view of the FIG. 1 gas chromatograph;

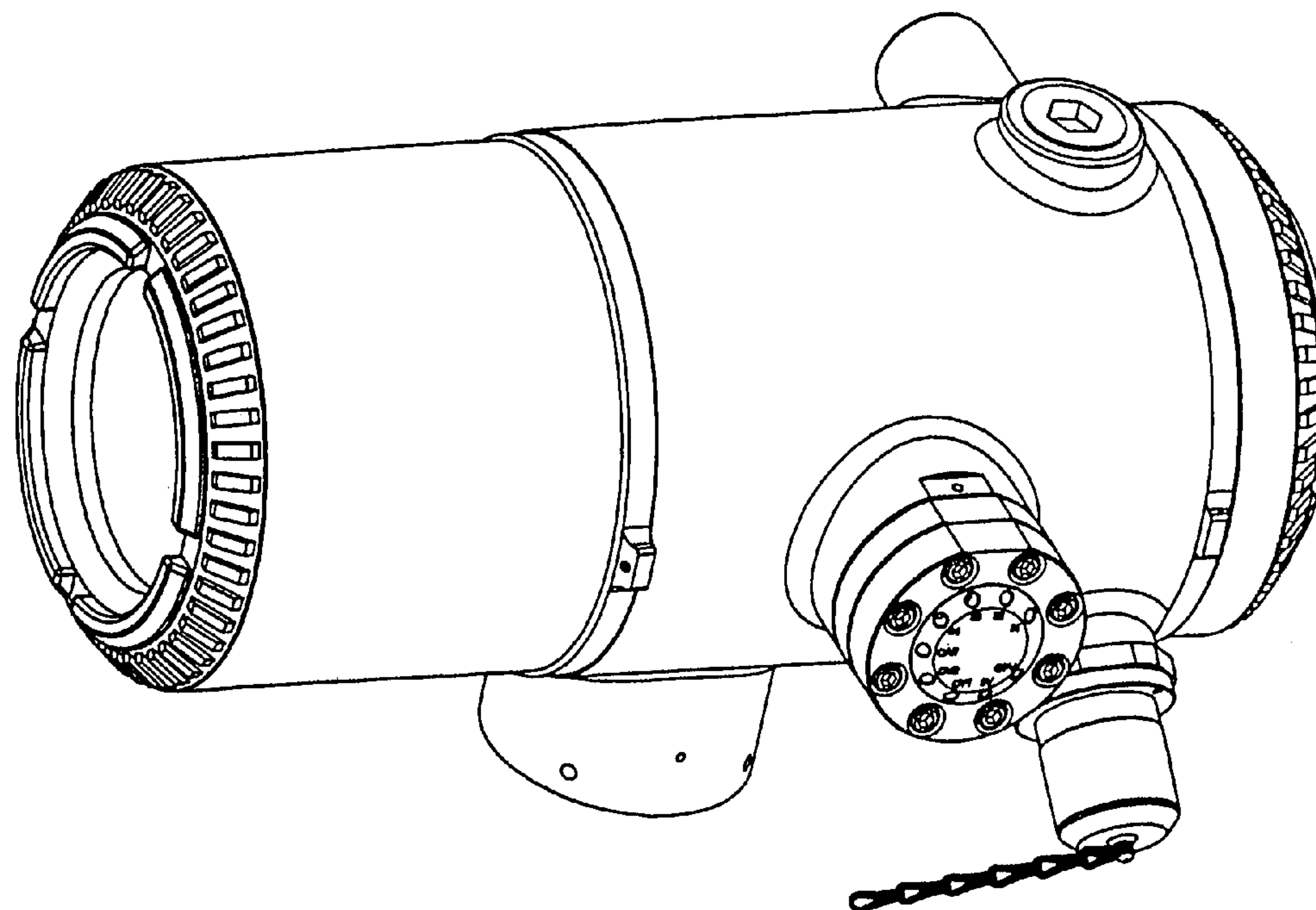
FIG. 4 is a rear elevational view of the FIG. 1 gas chromatograph;

FIG. 5 is a left side elevational view of the FIG. 1 gas chromatograph;

FIG. 6 is a right side elevational view of the FIG. 1 gas chromatograph; and,

FIG. 7 is a bottom plan view of the FIG. 1 gas chromatograph.

1 Claim, 7 Drawing Sheets



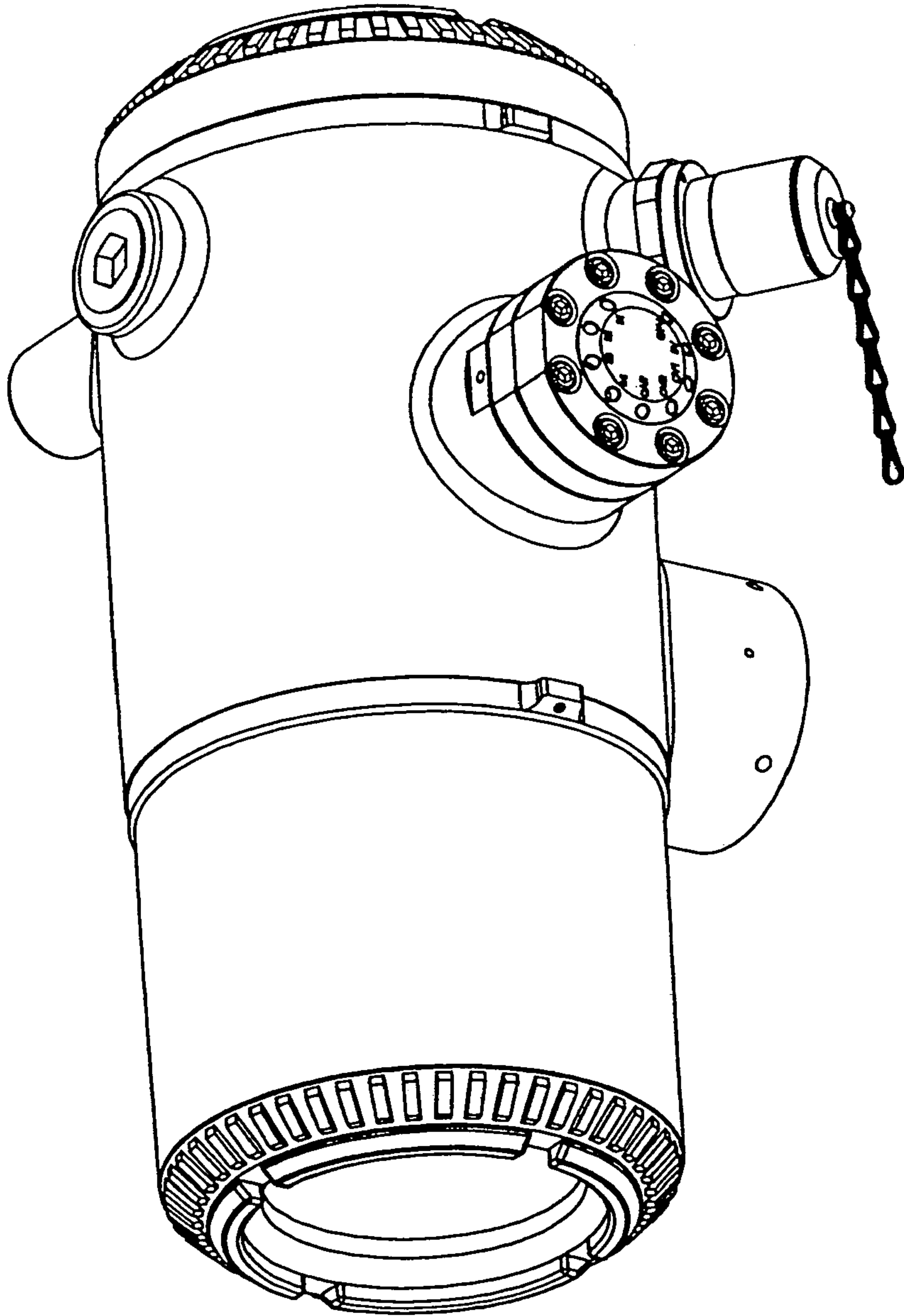


Fig. 1

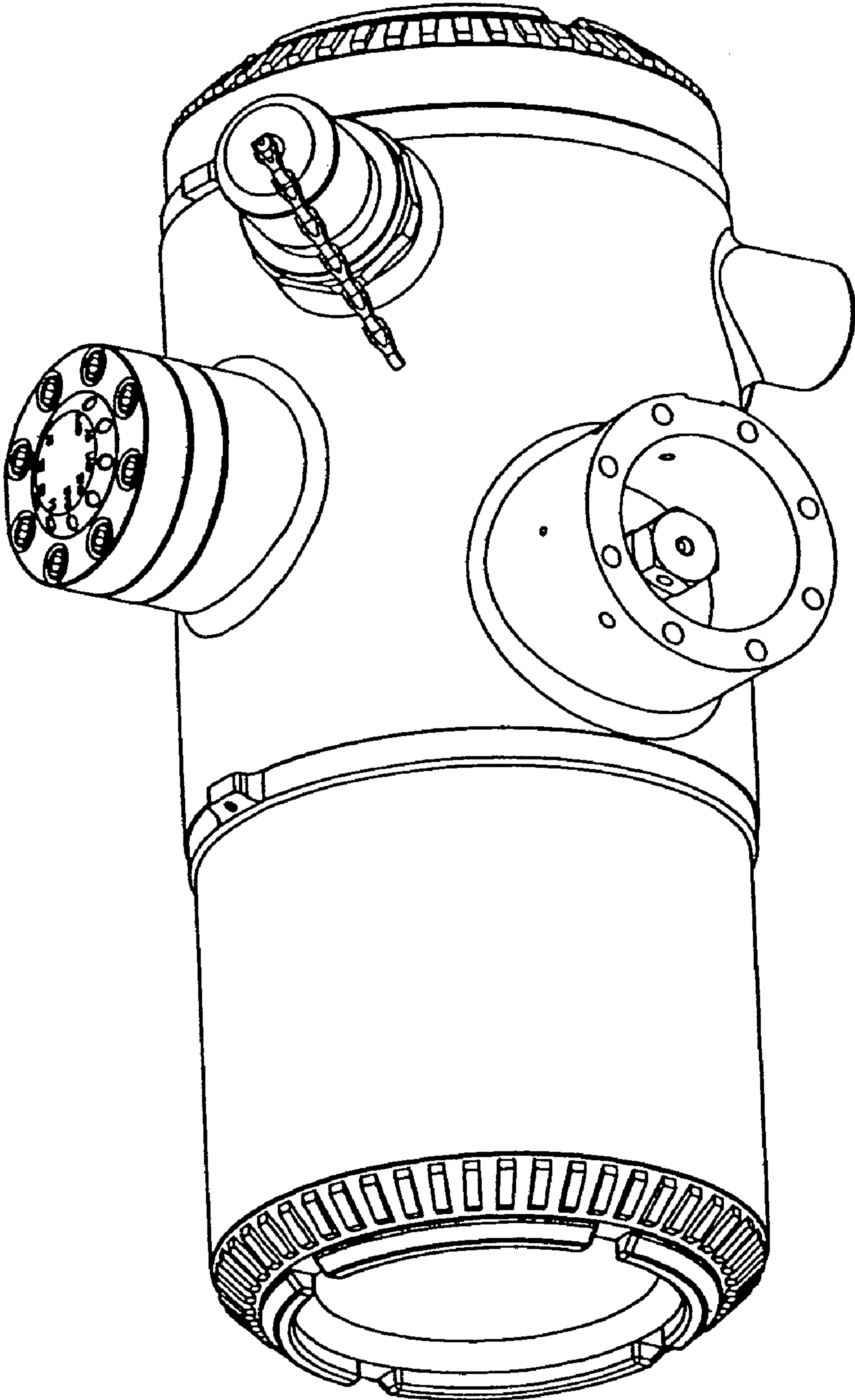


Fig. 2

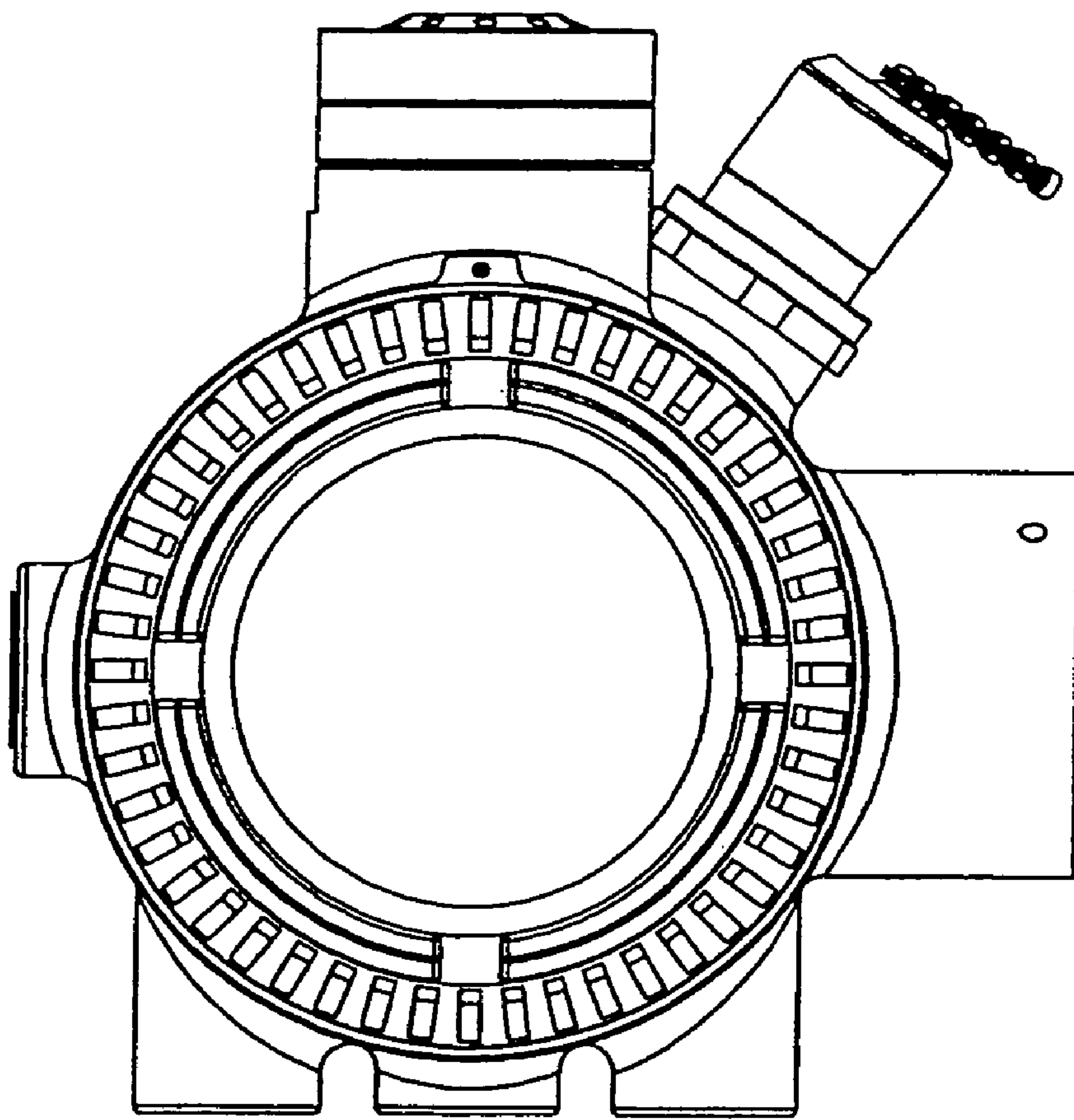


Fig. 3

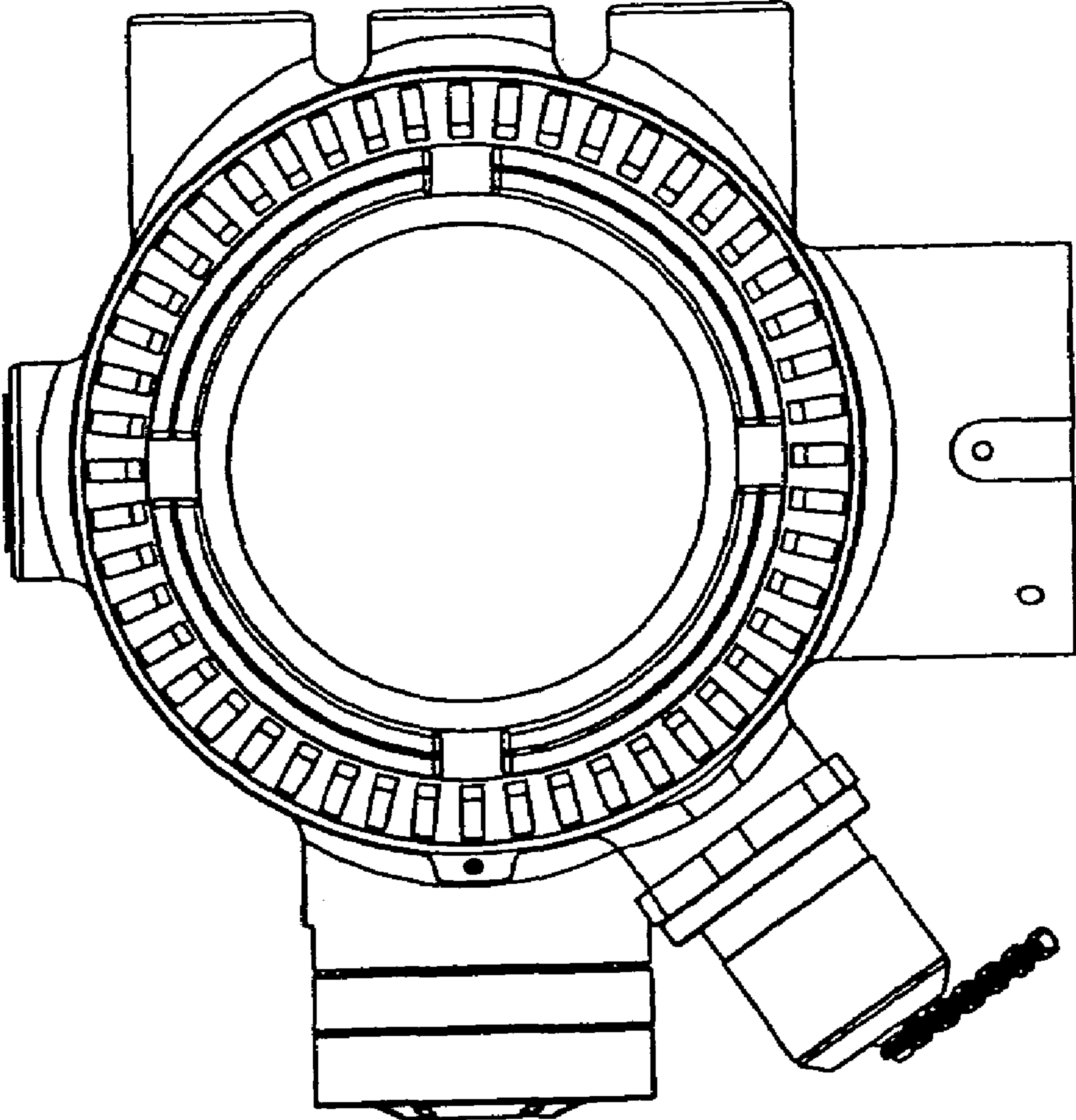


Fig. 4

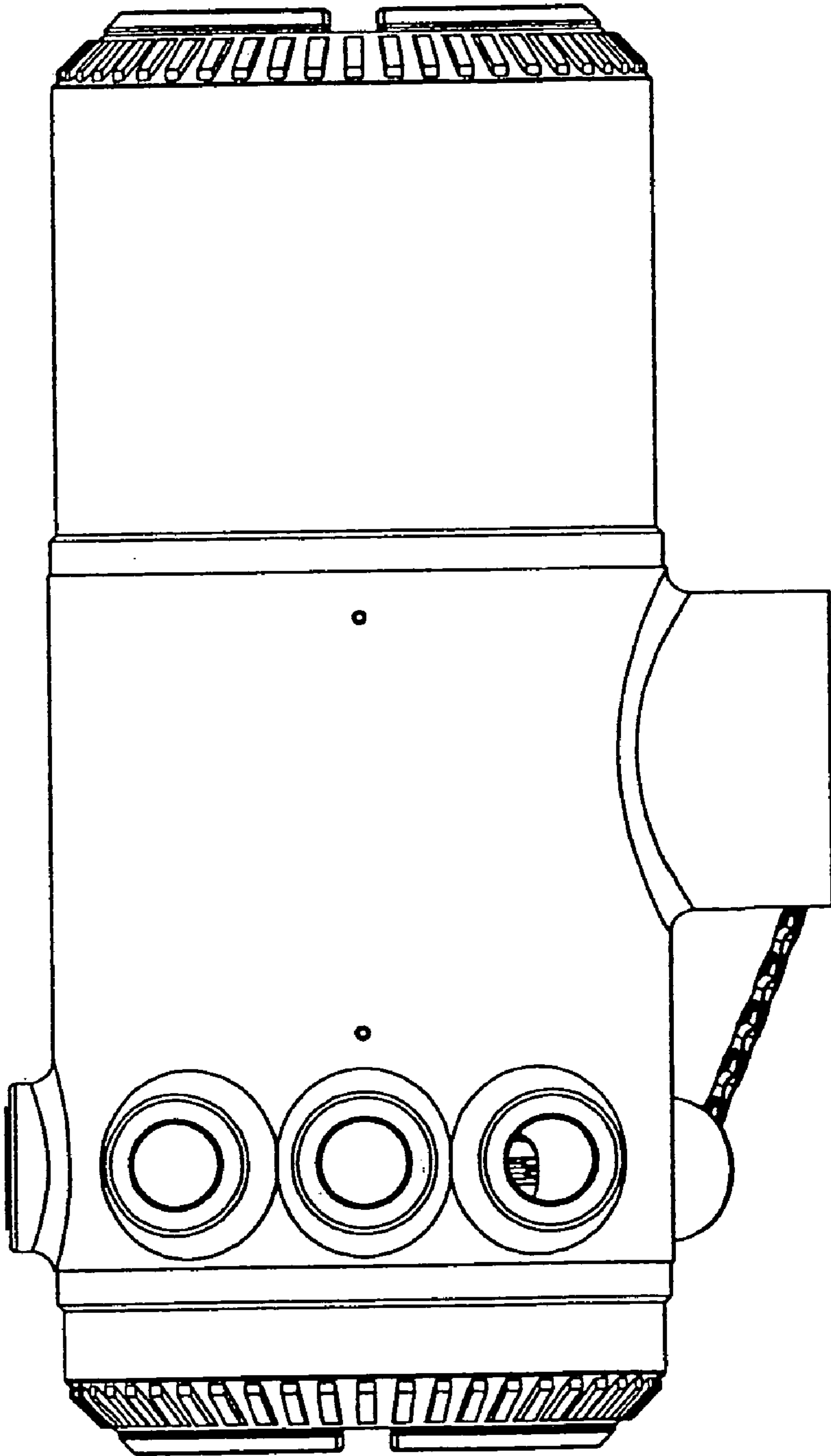


Fig. 5

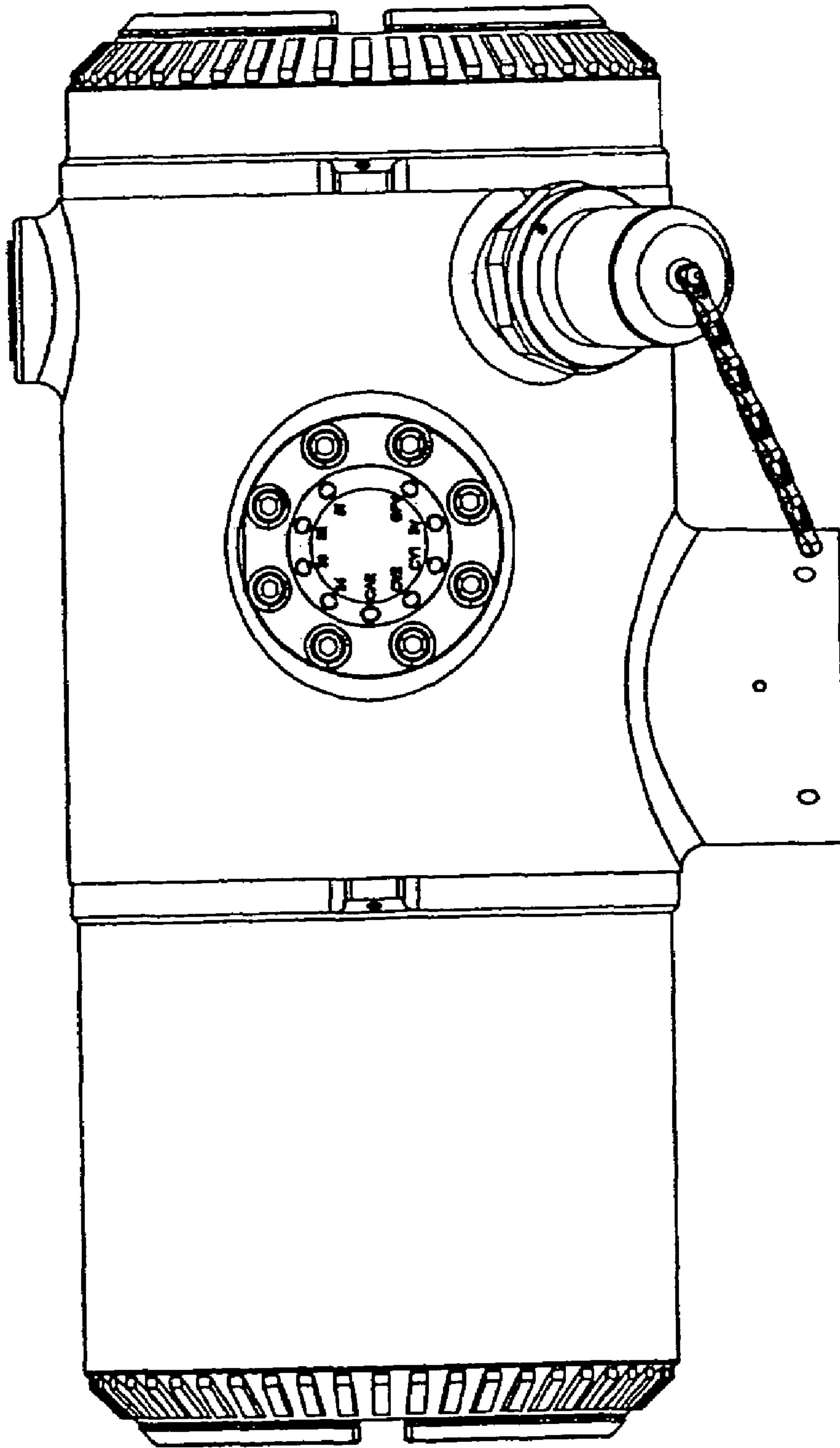


Fig. 6

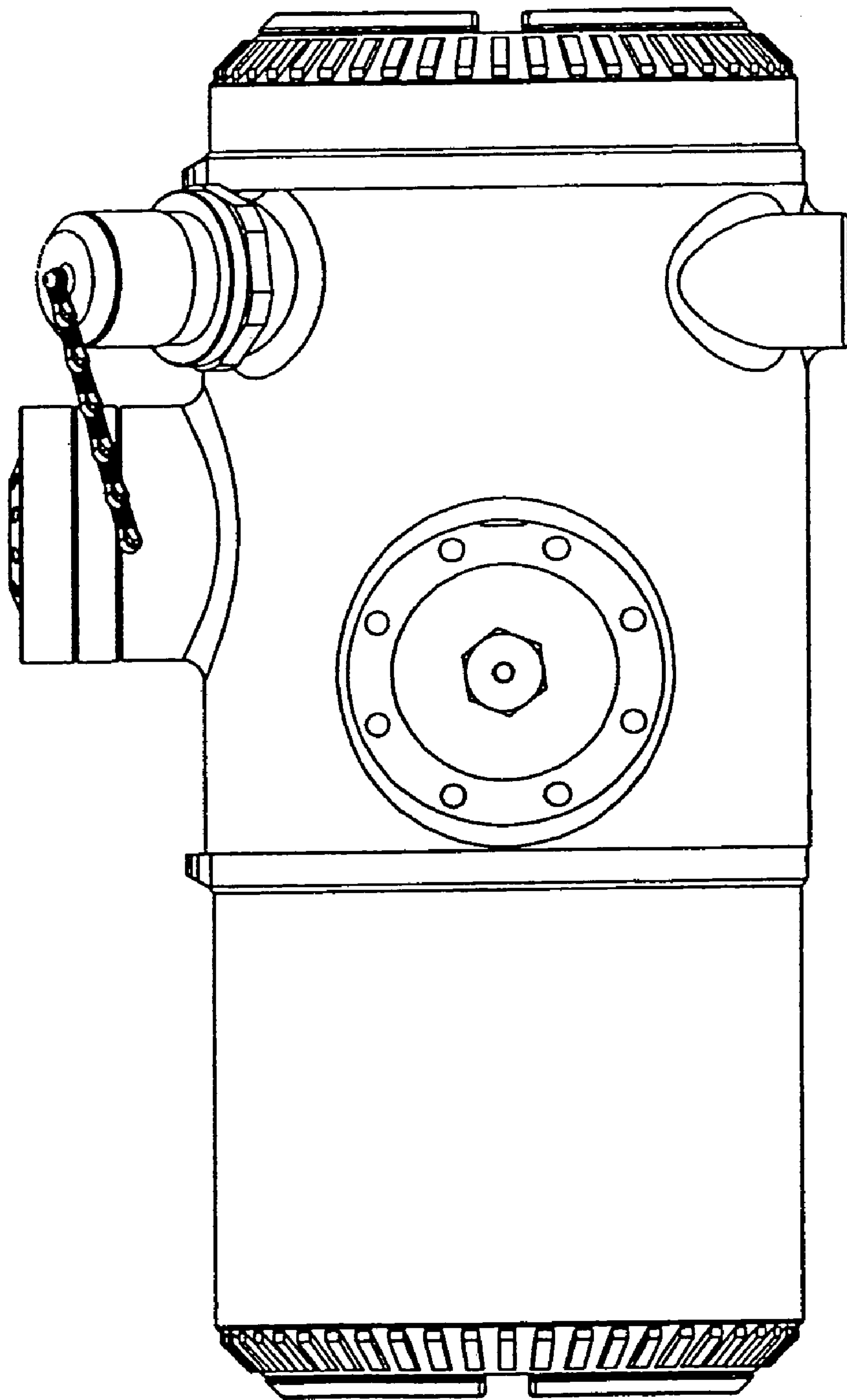


Fig. 7