



US00D546214S

(12) **United States Design Patent**
Schwartz et al.

(10) **Patent No.:** **US D546,214 S**

(45) **Date of Patent:** **** Jul. 10, 2007**

(54) **I-BEAM SPIRIT LEVEL**

(75) Inventors: **Mordechai Schwartz**, Shimshit (IL);
Amy Levinson, Upper Galilee (IL)

(73) Assignee: **Kapro Industries Ltd**, Bikat Beit
Hakarem (IL)

(**) Term: **14 Years**

(21) Appl. No.: **29/258,945**

(22) Filed: **May 1, 2006**

(30) **Foreign Application Priority Data**

Nov. 3, 2005 (IL) 41569
Nov. 3, 2005 (IL) 41570

(51) **LOC (8) Cl.** **10-04**

(52) **U.S. Cl.** **D10/69**

(58) **Field of Classification Search** D10/69-74;
33/365, 366.11-366.27, 367-391
See application file for complete search history.

(56) **References Cited**

U.S. PATENT DOCUMENTS

2,453,091 A * 11/1948 Holloway et al. 33/384
D459,251 S * 6/2002 Scheyer D10/69

6,418,634 B1 * 7/2002 Szumer 33/365
D468,221 S * 1/2003 Greaves et al. D10/69
D498,152 S * 11/2004 Hickey D10/69
2005/0039341 A1 * 2/2005 Hickey 33/365

* cited by examiner

Primary Examiner—Antoine D. Davis

Assistant Examiner—Patricia Palasik

(74) *Attorney, Agent, or Firm*—The Nath Law Group;
Harold L. Novick

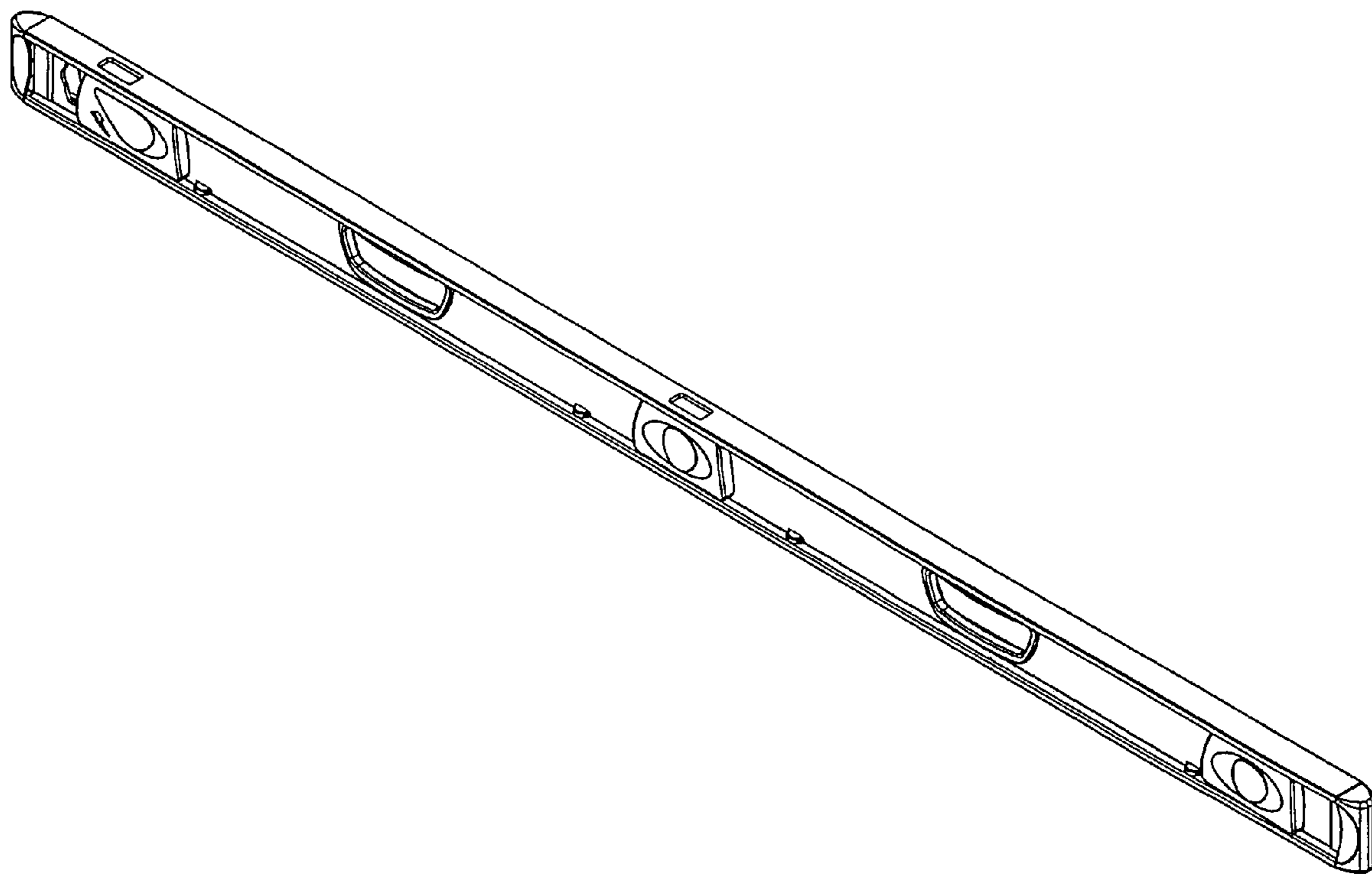
(57) **CLAIM**

The ornamental design for an I-beam spirit level, as shown
and described.

DESCRIPTION

FIG. 1 is a top perspective view of an I-beam spirit level;
FIG. 2 is a front elevation view thereof;
FIG. 3 is a left side elevation view thereof;
FIG. 4 is a top plan view thereof;
FIG. 5 is a bottom plan view thereof;
FIG. 6 is a rear elevation view thereof; and,
FIG. 7 is a right side elevation view thereof.

1 Claim, 4 Drawing Sheets



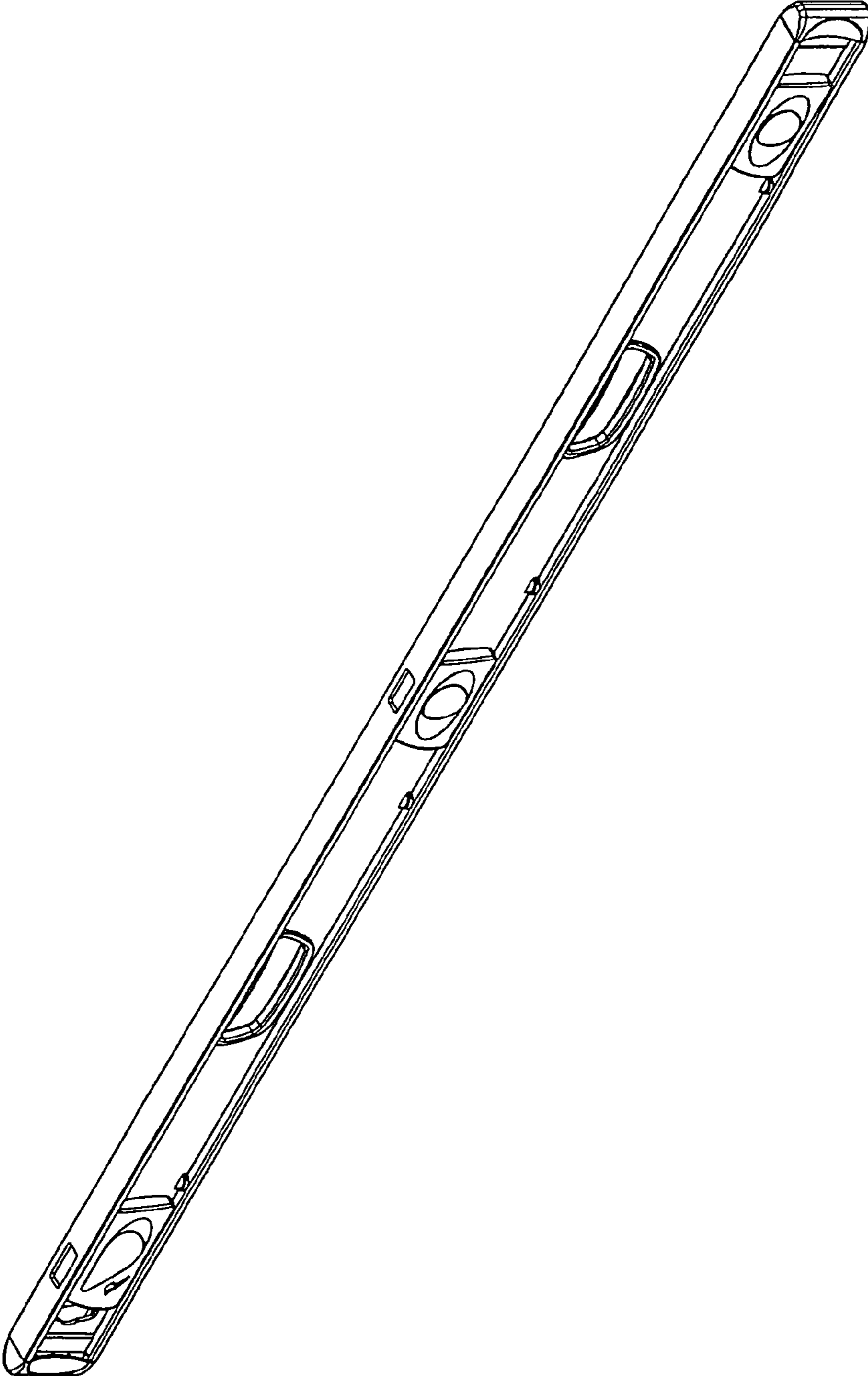


FIG. 1

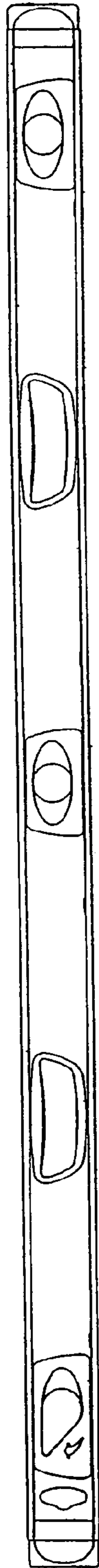


FIG. 2



FIG. 4



FIG. 7



FIG. 3



FIG. 5



FIG. 6