

US00D546212S

(12) **United States Design Patent**
Rooney

(10) **Patent No.:** **US D546,212 S**

(45) **Date of Patent:** **** Jul. 10, 2007**

(54) **TAPPING GUIDE**

(76) **Inventor:** **Bruce P. Rooney**, 35704 Metcalf Rd.,
Louisburg, KS (US) 66053

(**) **Term:** **14 Years**

(21) **Appl. No.:** **29/257,108**

(22) **Filed:** **Mar. 28, 2006**

(51) **LOC (8) Cl.** **10-04**

(52) **U.S. Cl.** **D10/64**

(58) **Field of Classification Search** D10/64;
408/115 R, 115 B, 72 B, 103, 97, 241 B
See application file for complete search history.

(56) **References Cited**

U.S. PATENT DOCUMENTS

D230,765 S * 3/1974 Filson D10/64

* cited by examiner

Primary Examiner—Antoine D. Davis

(74) *Attorney, Agent, or Firm*—Edward A. McConwell

(57) **CLAIM**

I claim the ornamental design for a tapping guide, as shown.

DESCRIPTION

FIG. 1 is a perspective view of a tapping guide showing my new design;

FIG. 2 is a front elevation of the design;

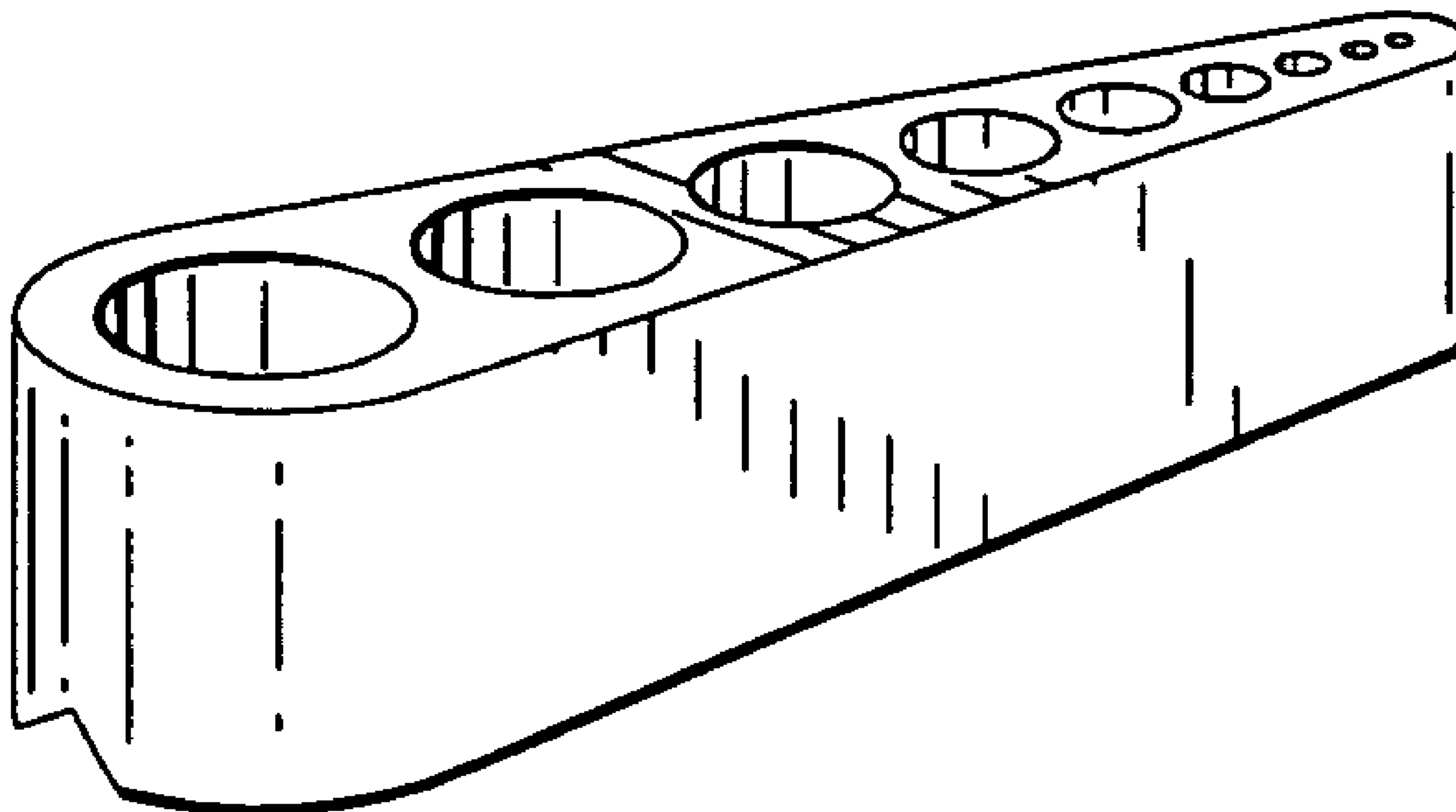
FIG. 3 is a rear elevation of the design;

FIG. 4 is a plan view of the design;

FIG. 5 is a bottom view of the design; and,

FIG. 6 is a side elevation of the design.

1 Claim, 1 Drawing Sheet



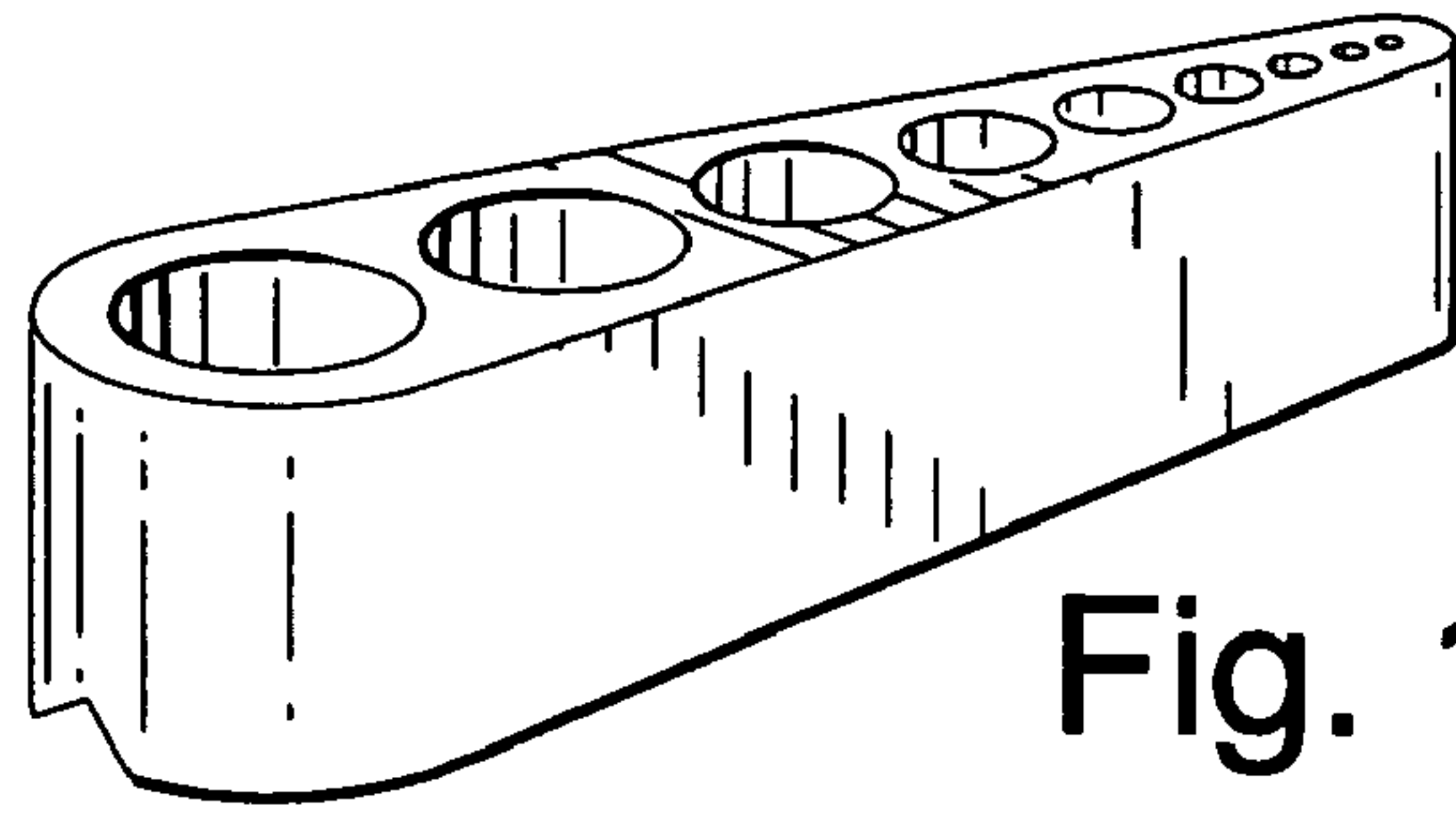


Fig. 1.

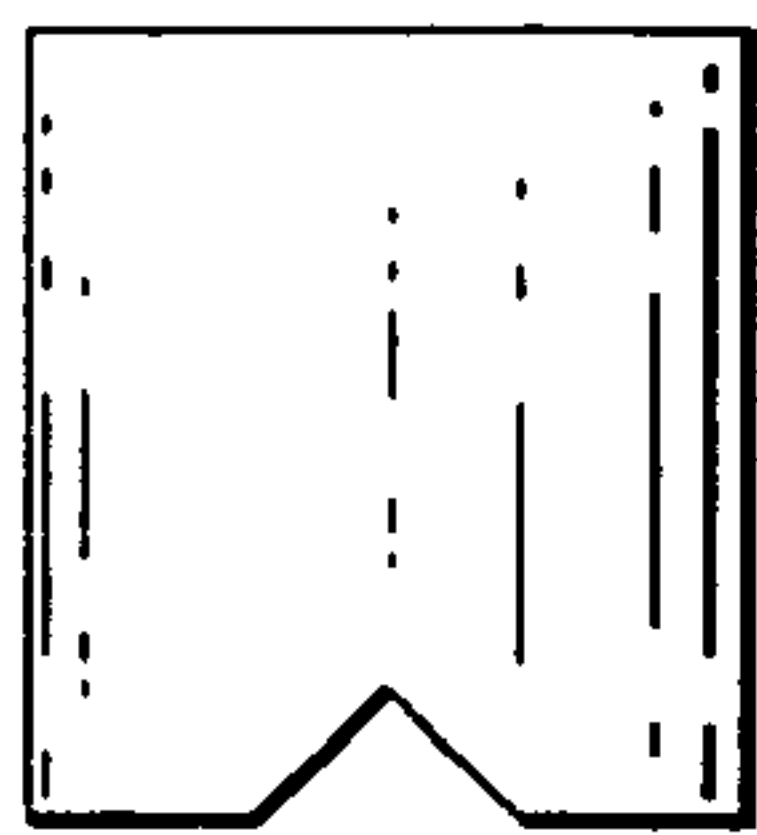


Fig. 2.

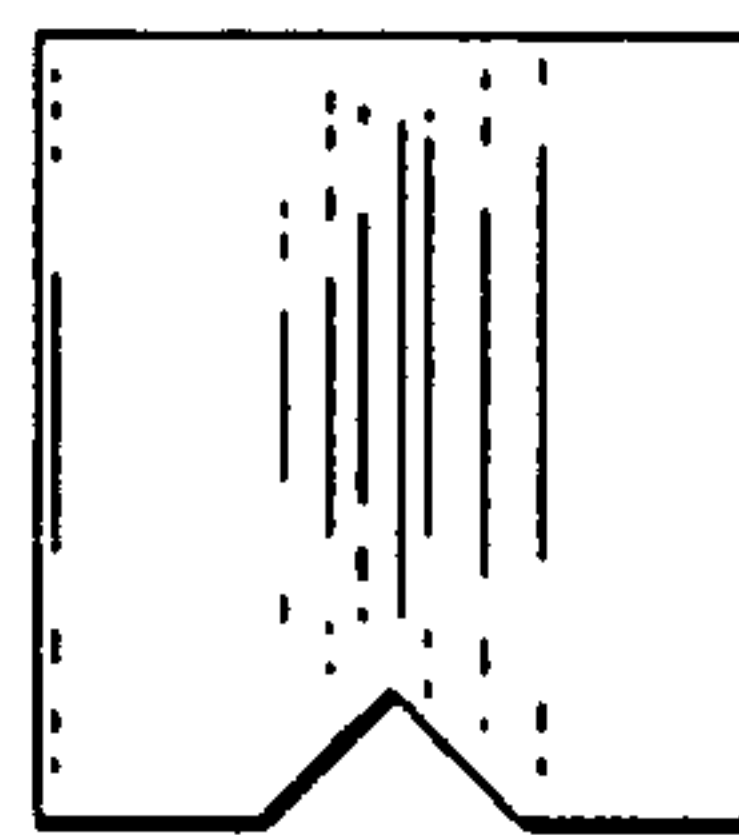


Fig. 3.

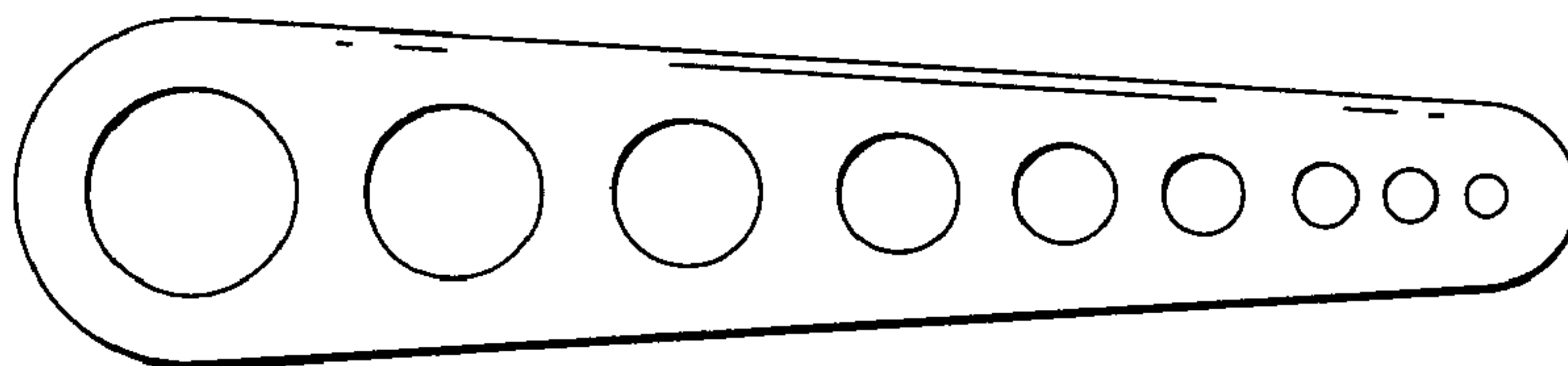


Fig. 4.

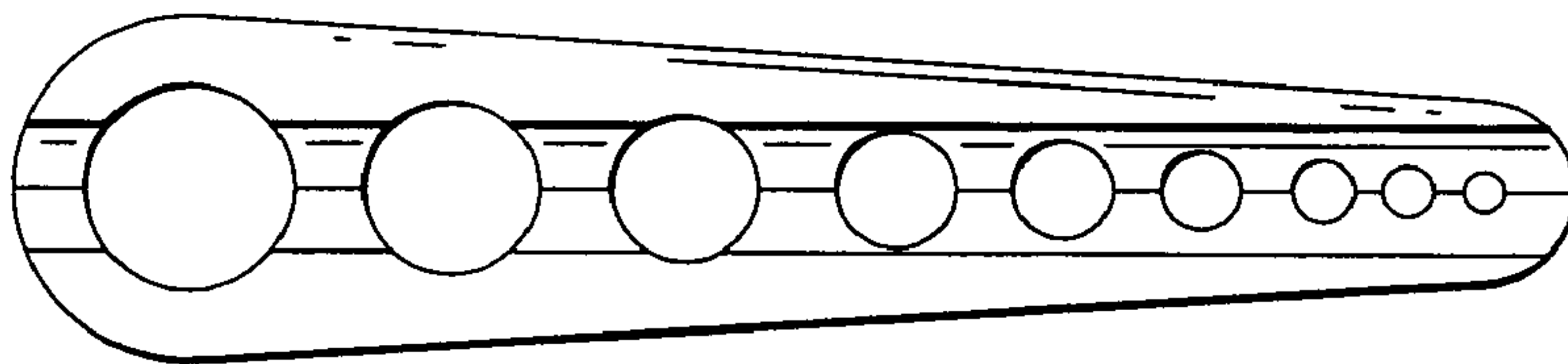


Fig. 5.

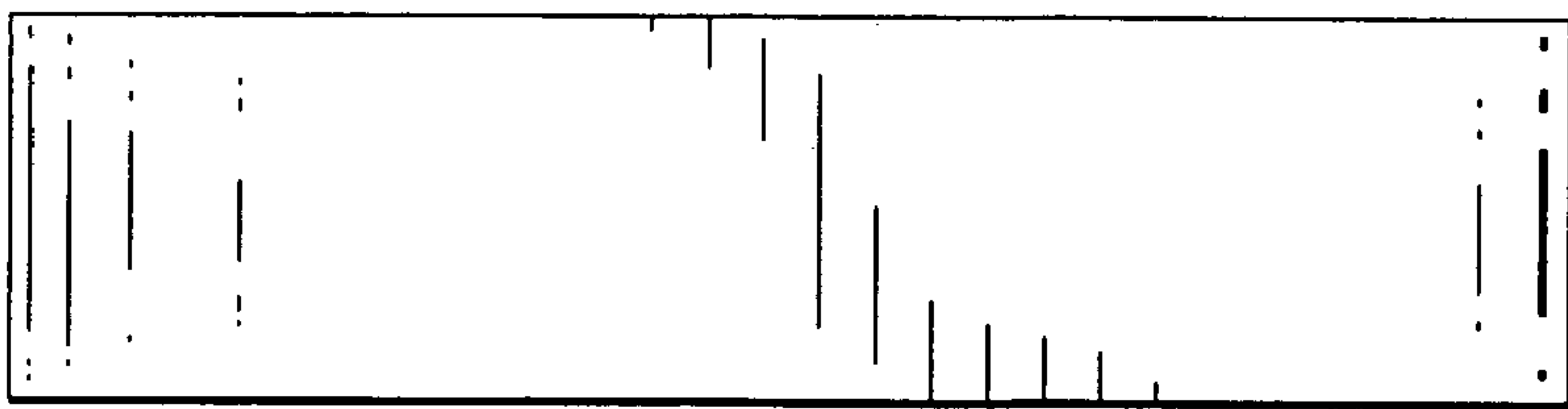


Fig. 6.