



US00D546209S

(12) **United States Design Patent**  
**Kelley**

(10) **Patent No.:** **US D546,209 S**

(45) **Date of Patent:** **\*\* Jul. 10, 2007**

(54) **UMPIRE'S INDICATOR**

(76) Inventor: **Jack O. Kelley**, 1004 Springside Dr.,  
Louisville, KY (US) 40223

(\*\*) Term: **14 Years**

(21) Appl. No.: **29/249,048**

(22) Filed: **Sep. 18, 2006**

(51) **LOC (8) Cl.** ..... **21-01**

(52) **U.S. Cl.** ..... **D10/46.1**

(58) **Field of Classification Search** ..... D10/46,  
D10/46.1; 116/222-225; 235/90, 103, 1 D  
See application file for complete search history.

(56) **References Cited**

U.S. PATENT DOCUMENTS

D42,686	S	*	7/1912	Ovrran	.....	D10/46.1
D116,325	S	*	8/1939	Ryan	.....	D10/46.1
2,702,954	A	*	3/1955	Cline et al.	.....	116/223
3,755,939	A	*	9/1973	Denega et al.	.....	116/224
4,072,125	A	*	2/1978	Spalla	.....	116/223
D321,146	S	*	10/1991	Pouget et al.	.....	D10/46.1
5,084,695	A	*	1/1992	Freeman	.....	340/323 R
D366,839	S	*	2/1996	Lloyd et al.	.....	D10/46.1
D378,281	S	*	3/1997	Takacs	.....	D10/46.1

5,877,480	A	*	3/1999	Tuso et al.	.....	235/1 B
D419,460	S	*	1/2000	Mann	.....	D10/46.1
D519,391	S	*	4/2006	Leung	.....	D10/46.1
D525,884	S	*	8/2006	Copia	.....	D10/46.1

\* cited by examiner

*Primary Examiner*—Prabhakar Deshmukh

(74) *Attorney, Agent, or Firm*—Alexander P. Brackett;  
Middleton Reutlinger

(57) **CLAIM**

The ornamental design for an umpire's indicator, as shown and described.

**DESCRIPTION**

FIG. 1 is a perspective view of my umpire's indicator design;

FIG. 2 is a front view thereof;

FIG. 3 is a left side view thereof;

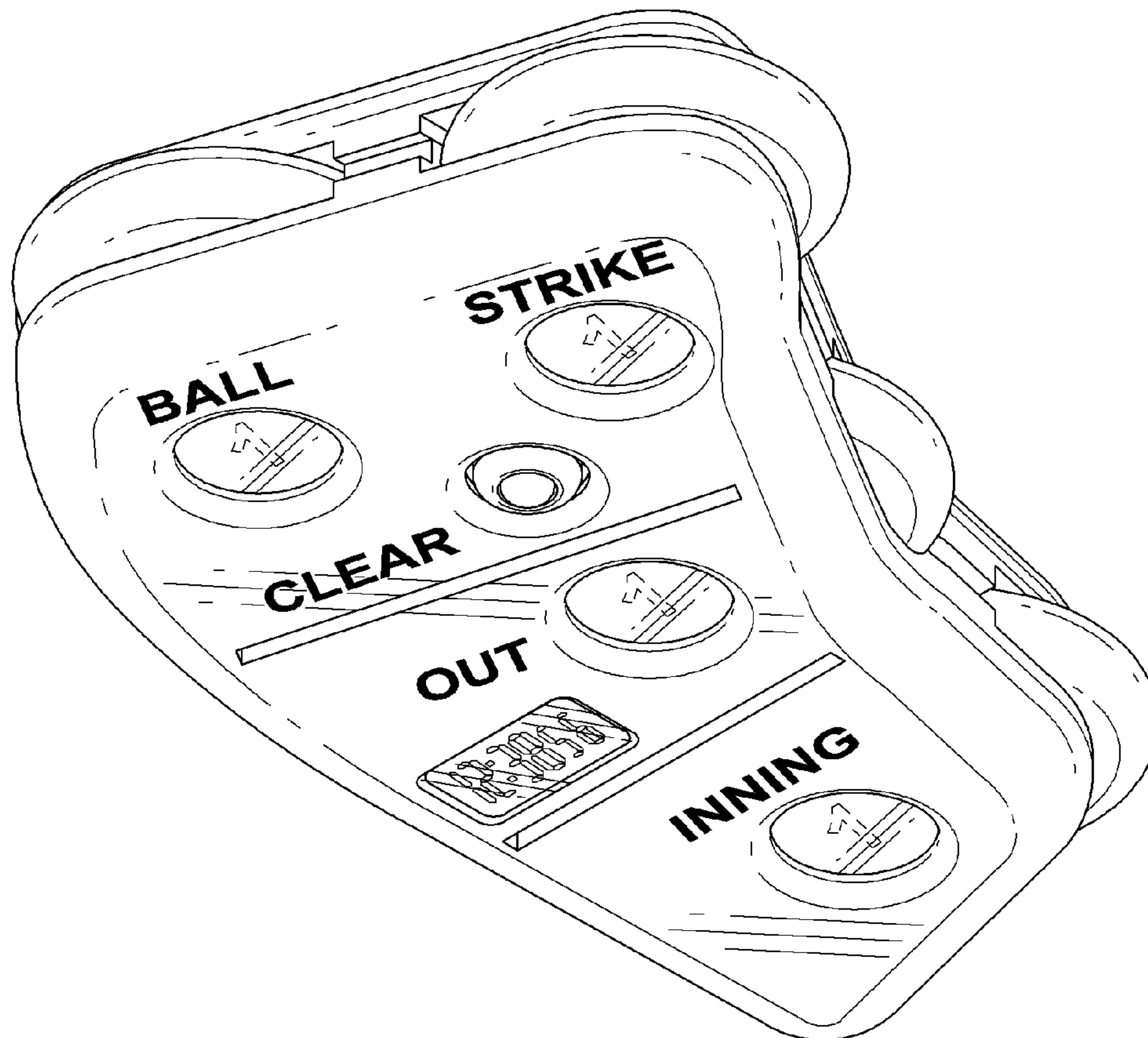
FIG. 4 is a top view thereof;

FIG. 5 is a bottom view thereof;

FIG. 6 is a right side view thereof; and,

FIG. 7 is a rear view thereof.

**1 Claim, 7 Drawing Sheets**



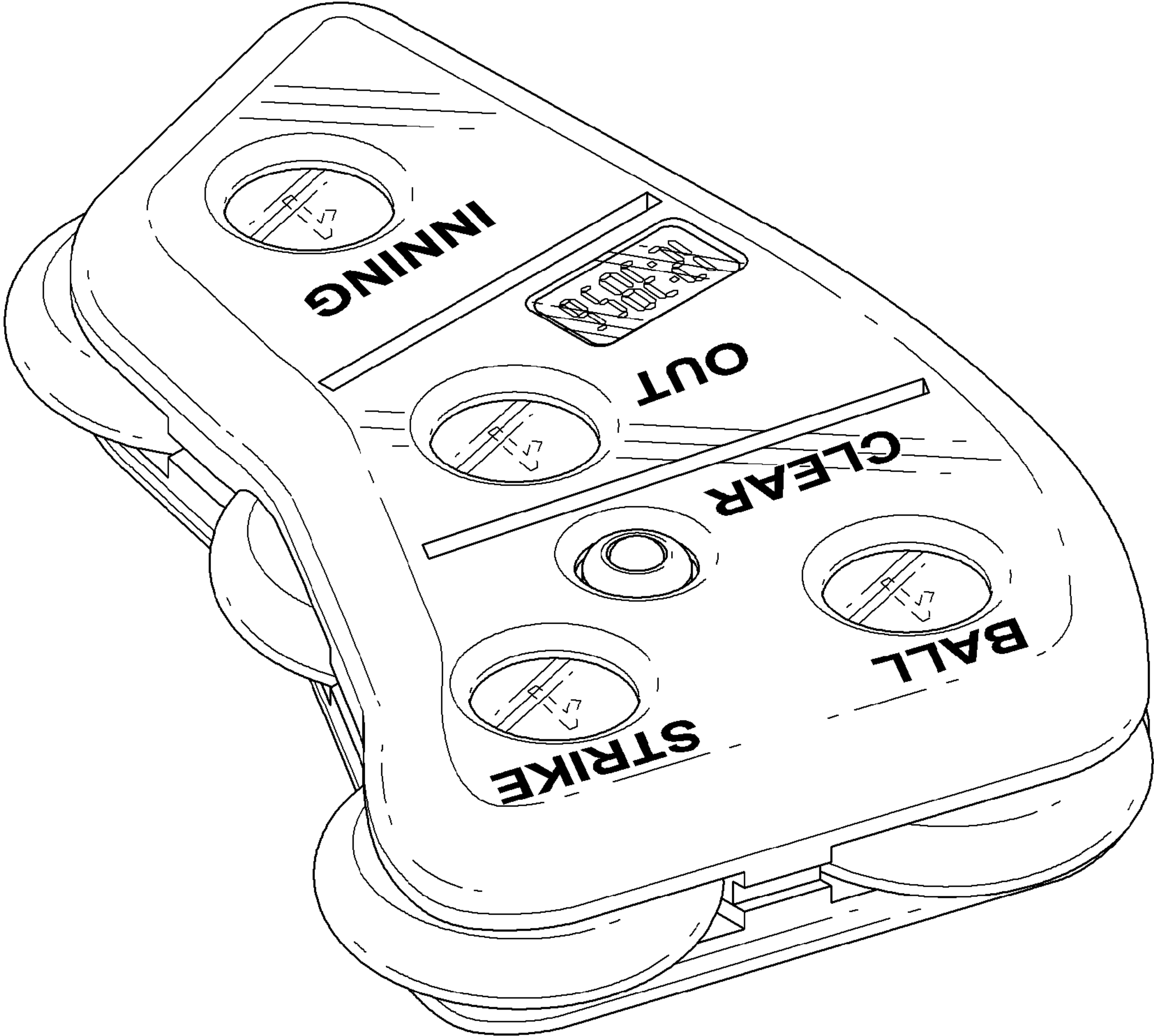


FIG. 1

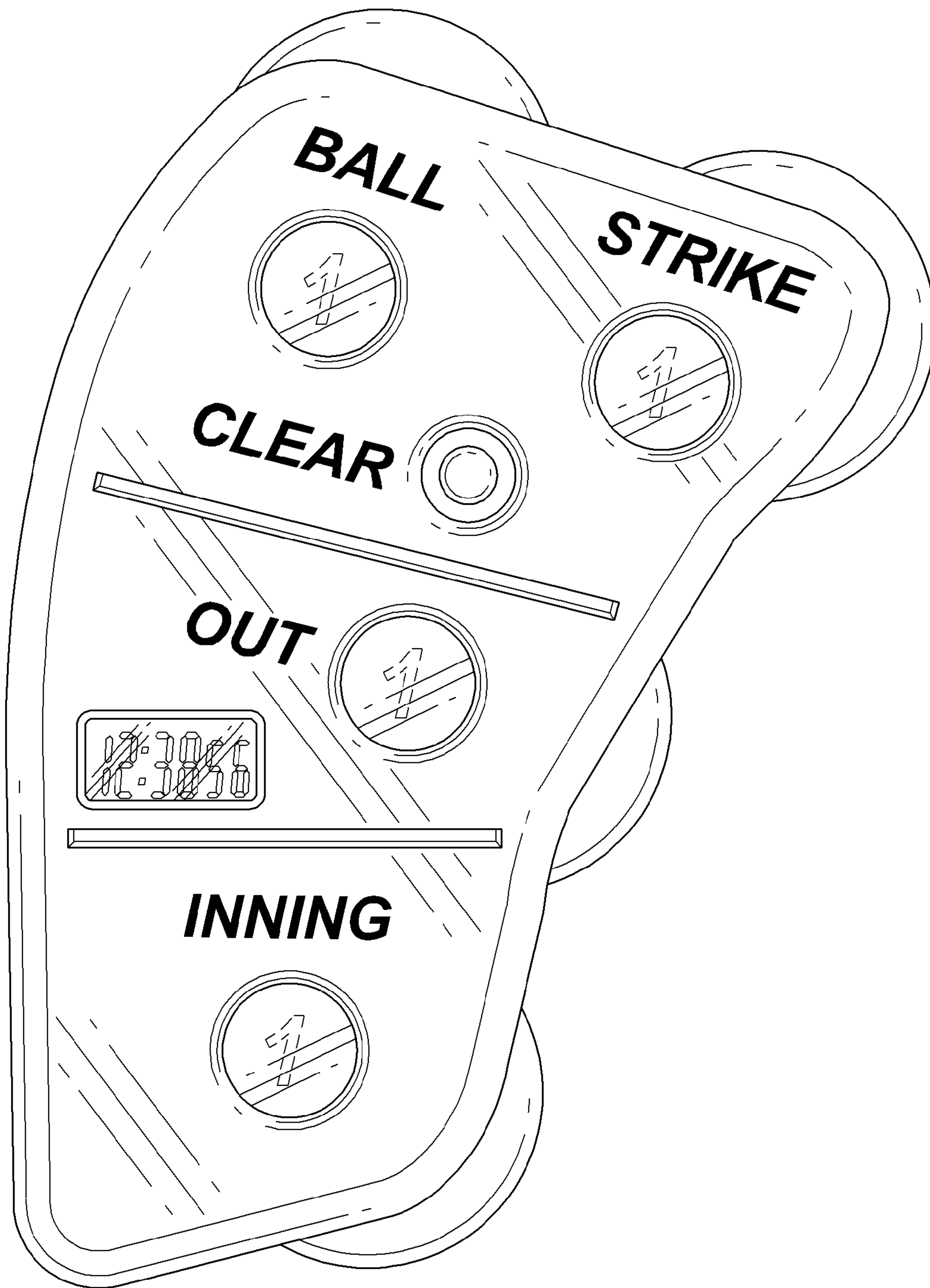


FIG. 2

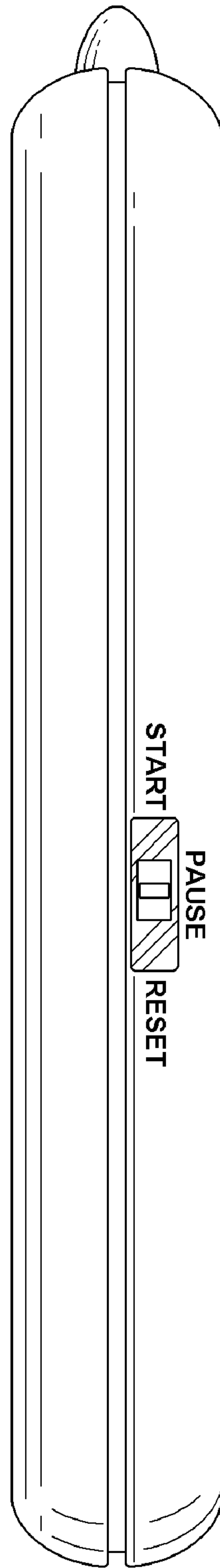


FIG. 3

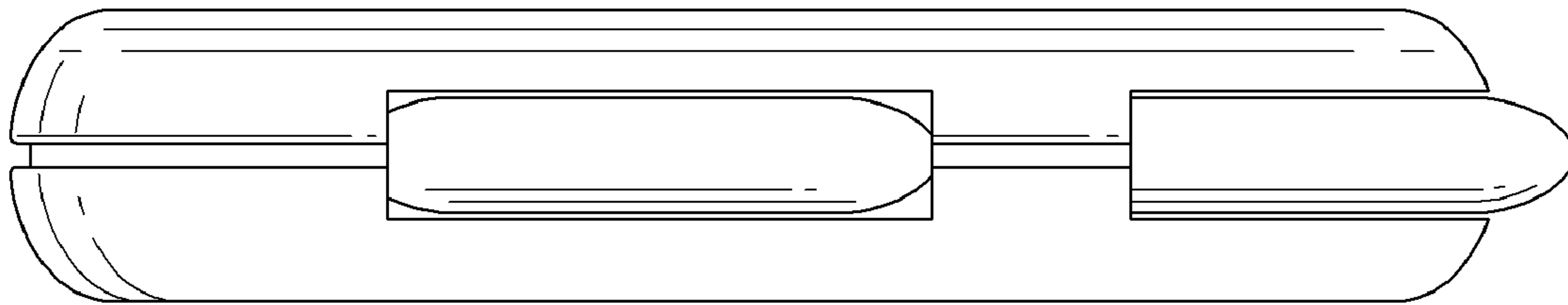


FIG. 4

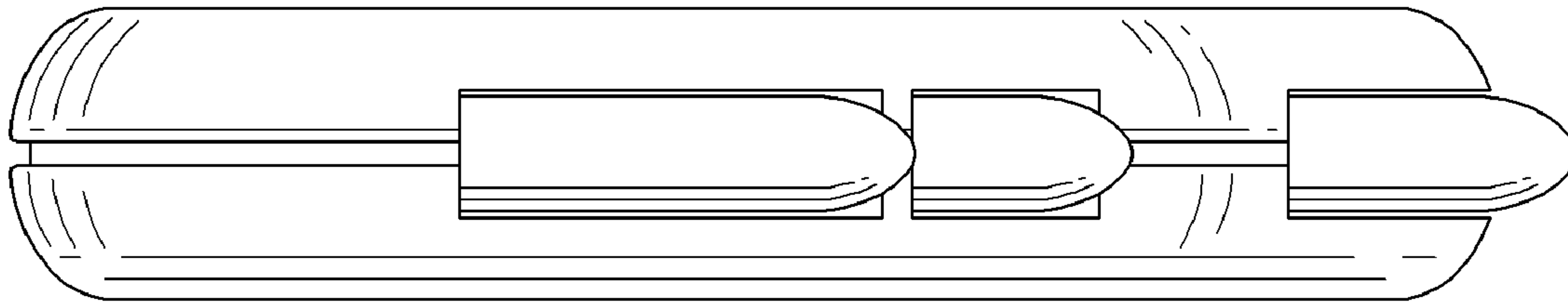


FIG. 5

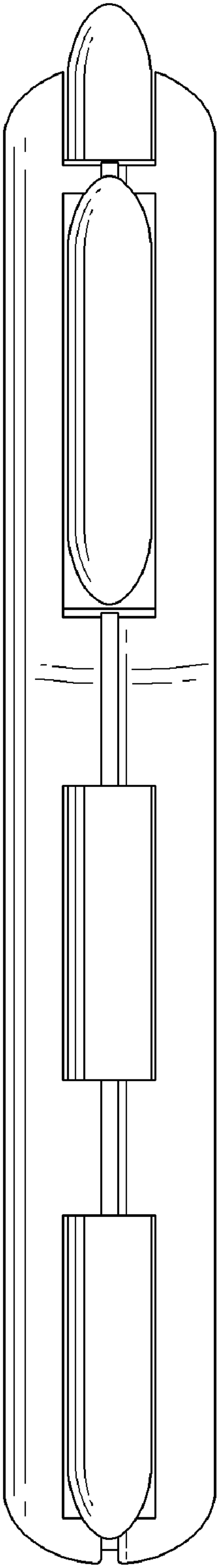


FIG. 6



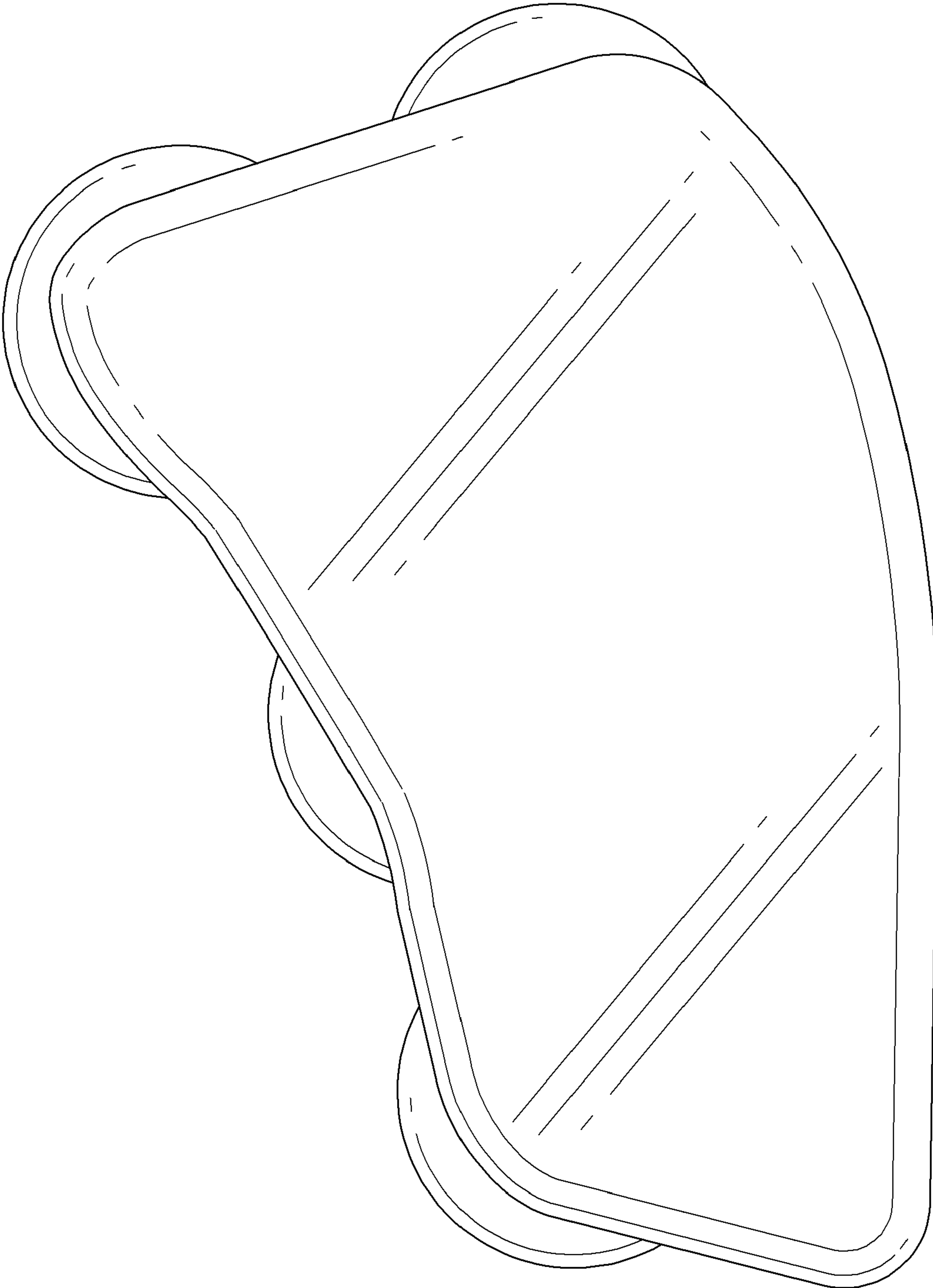


FIG. 7