

US00D546203S

(12) **United States Design Patent**
Campos

(10) **Patent No.:** **US D546,203 S**

(45) **Date of Patent:** **** Jul. 10, 2007**

(54) **WATCH**

(75) **Inventor:** **Andrea Campos**, Paris (FR)

(73) **Assignee:** **Cartier Creation Studio, SA**, Geneva (CH)

(**) **Term:** **14 Years**

(21) **Appl. No.:** **29/211,182**

(22) **Filed:** **Aug. 12, 2004**

(30) **Foreign Application Priority Data**

Feb. 13, 2004 (EM) 000134531-0006

(51) **LOC (8) Cl.** **10-02**

(52) **U.S. Cl.** **D10/32**

(58) **Field of Classification Search** D10/30-39,
D10/122-129; 368/80, 223, 228-229, 232,
368/276, 280-283, 285, 28-30, 21
See application file for complete search history.

(56) **References Cited**

U.S. PATENT DOCUMENTS

D251,056 S	2/1979	Perrin	
D259,186 S	5/1981	Perrin	
D262,949 S *	2/1982	Perrin D10/32
D265,980 S	8/1982	Kanoui	
D267,478 S	1/1983	Kanoui	
D267,549 S *	1/1983	Kanoui D10/39
D269,414 S *	6/1983	Sugano D10/18
D278,130 S	3/1985	Houlihan et al.	
D280,885 S	10/1985	Perrin	
D288,066 S	2/1987	Kanoui	
D309,864 S *	8/1990	Woomer D10/39
D388,332 S *	12/1997	Perrin et al. D10/32
D393,598 S *	4/1998	Perrin et al. D10/39

D412,288 S	7/1999	Perrin et al.	
D413,526 S	9/1999	Perrin et al.	
D420,599 S	2/2000	Perrin et al.	
D422,514 S	4/2000	Diltoer et al.	
D506,935 S *	7/2005	Dreyfuss D10/32
D508,211 S *	8/2005	Dreyfuss D10/32
D514,457 S *	2/2006	Diltoer D10/39

OTHER PUBLICATIONS

U.S. Appl. No. 29/211,185, filed Aug. 12, 2004, Diltoer.
U.S. Appl. No. 29/211,184, filed Aug. 12, 2004, Arlanda.
Le Temps De Cartier, 1st Edition, Oct. 1999, pp. 51, 52, 53, 122,
123, 163, 289 and 317.

* cited by examiner

Primary Examiner—Janice E. Seeger

Assistant Examiner—Zenja Bennett

(74) *Attorney, Agent, or Firm*—Oliff & Berridge, PLC

(57) **CLAIM**

The ornamental design for a watch, as shown and described.

DESCRIPTION

FIG. 1 is a perspective view of a watch;

FIG. 2 is a front view thereof;

FIG. 3 is a rear view thereof;

FIG. 4 is a right-side view thereof;

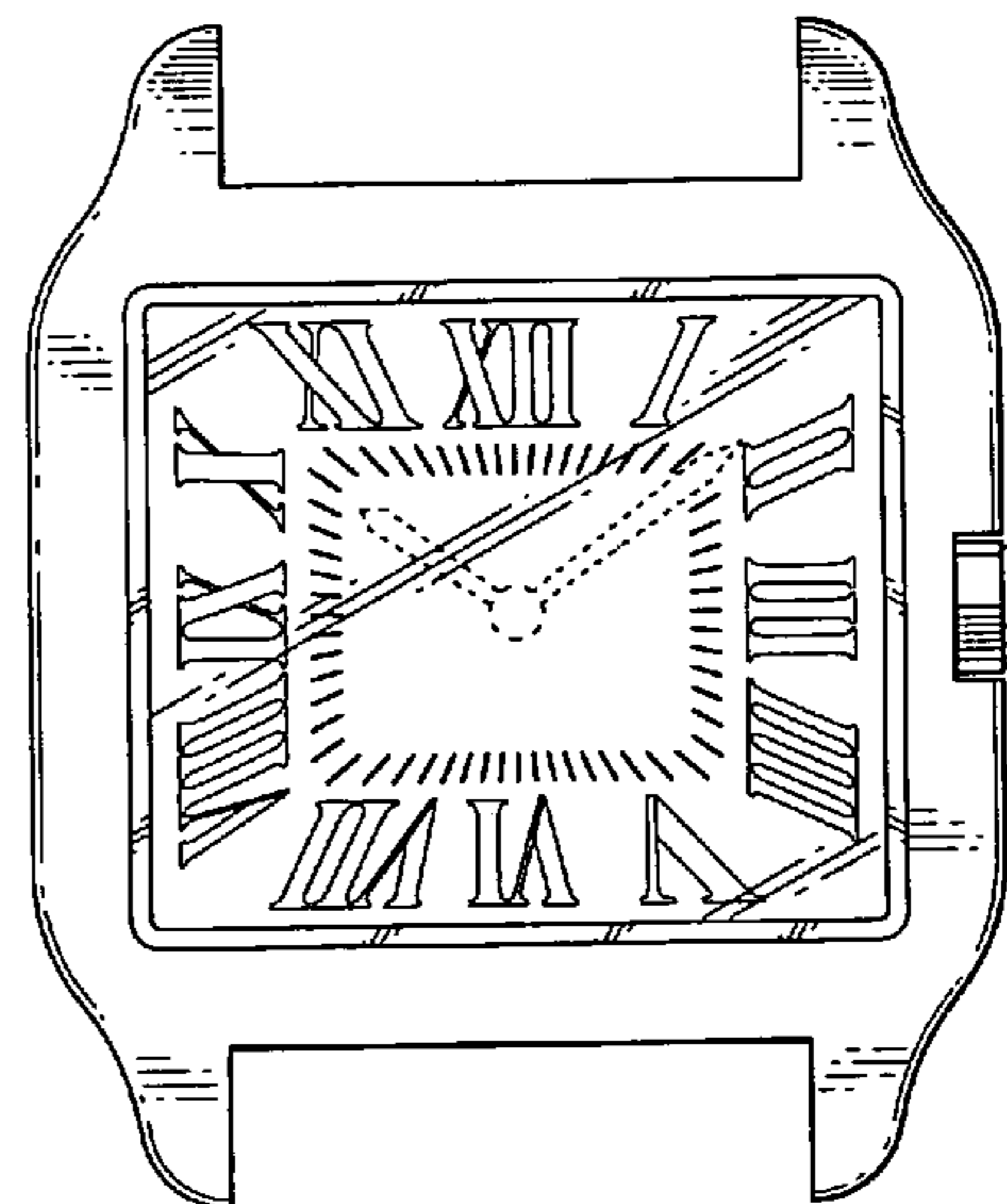
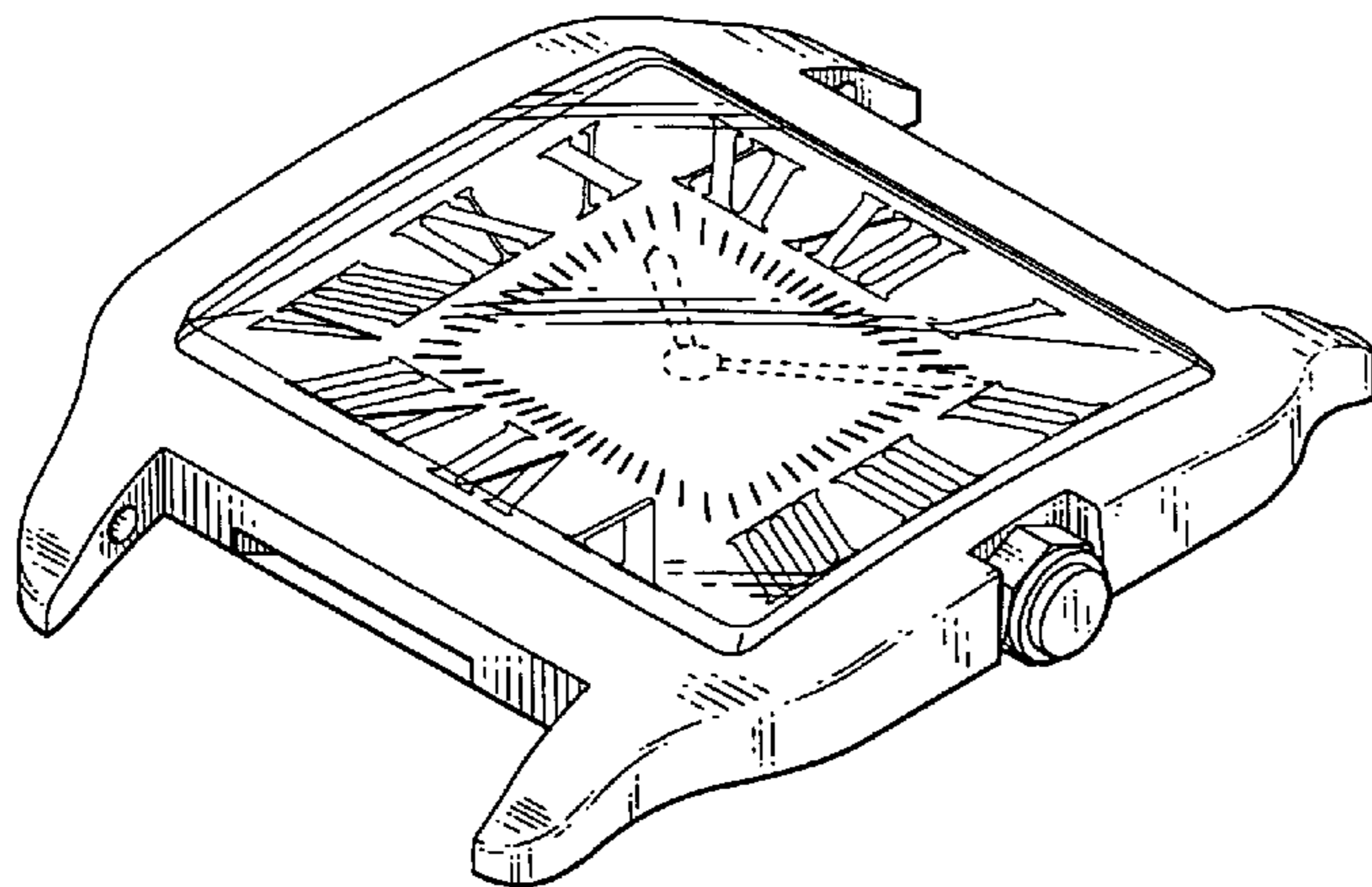
FIG. 5 is a left-side view thereof;

FIG. 6 is a top view; and,

FIG. 7 is a bottom view thereof.

The broken lines in the drawing are for illustrative purposes only and form no part of the claimed design.

1 Claim, 3 Drawing Sheets



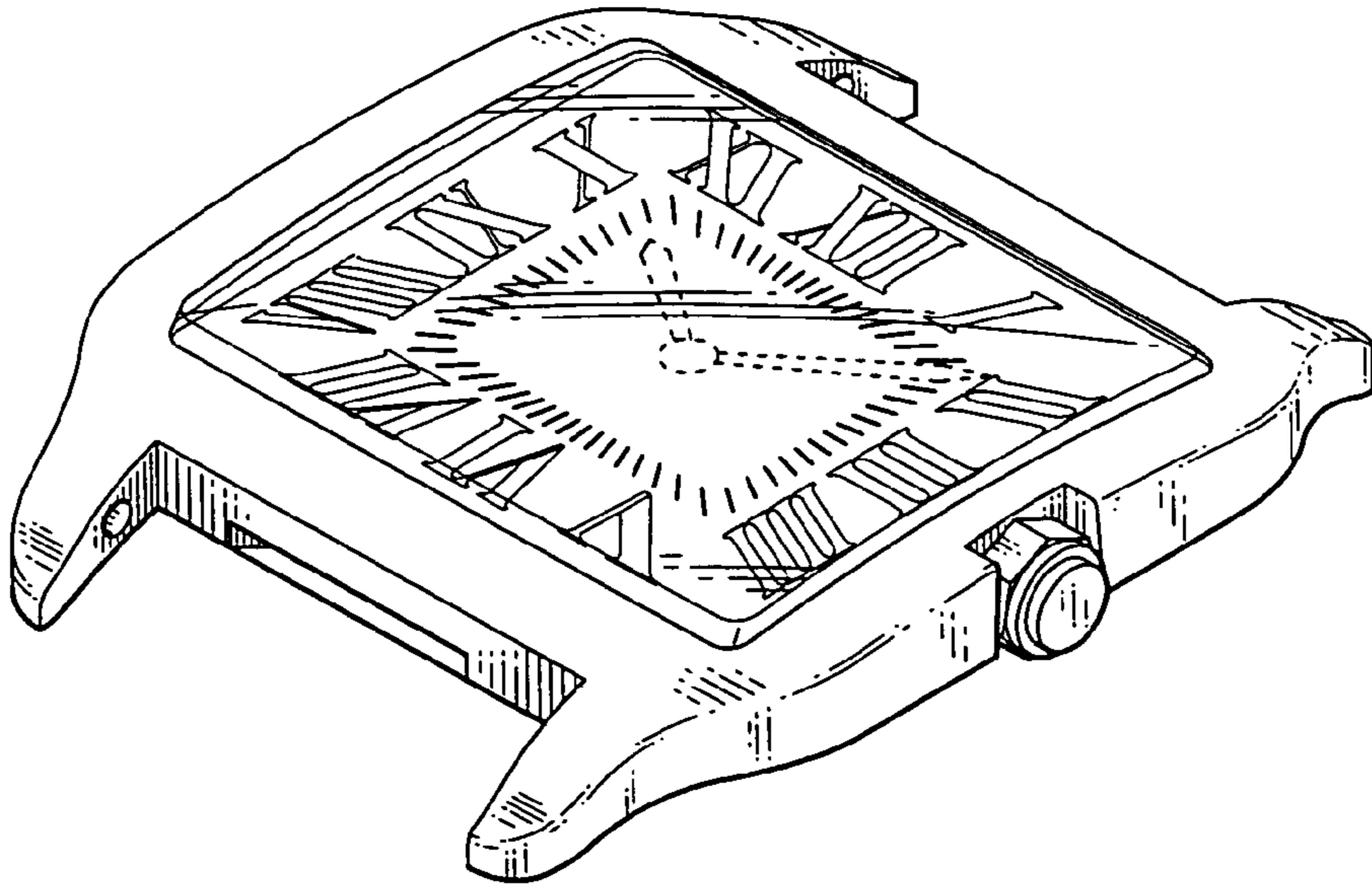


Fig. 1

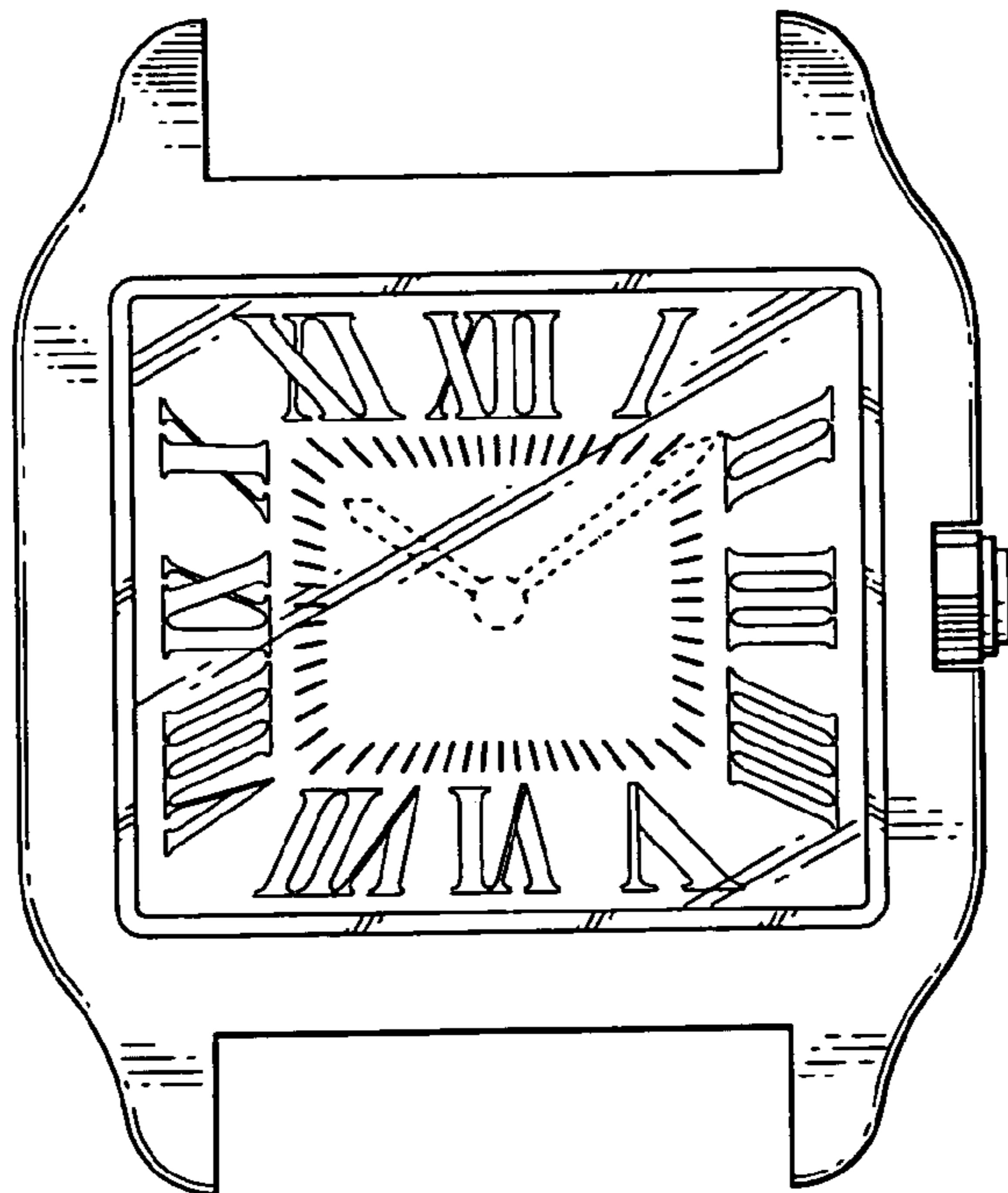


Fig. 2

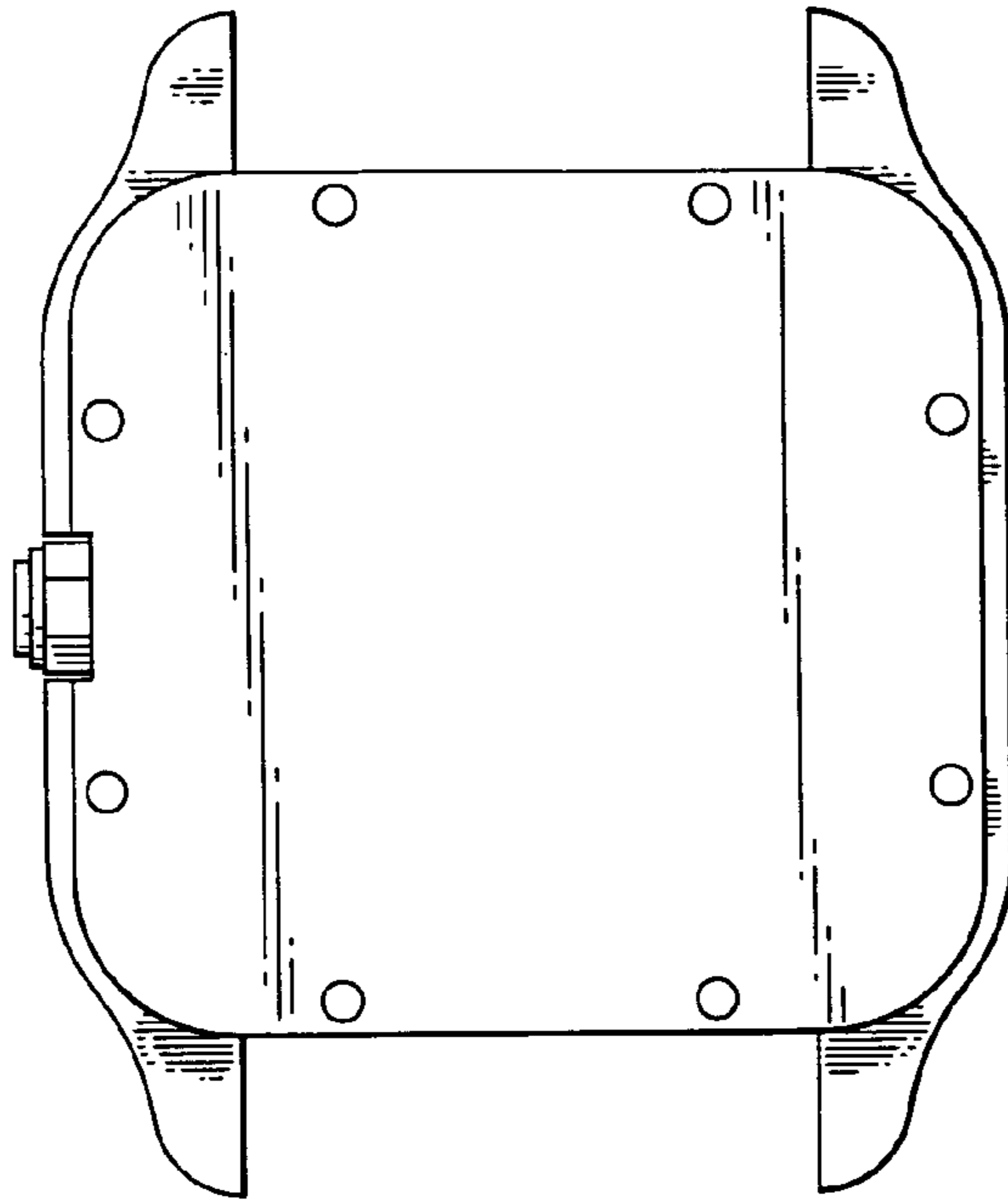


Fig. 3

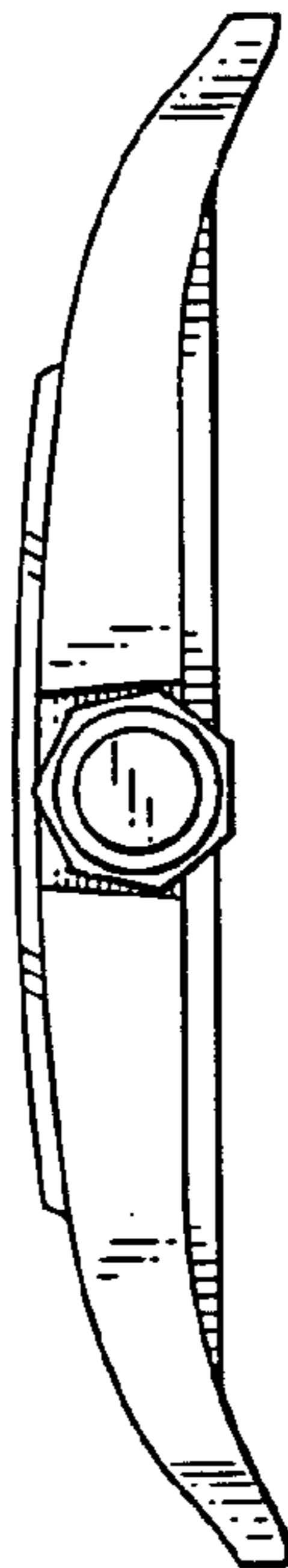


Fig. 4

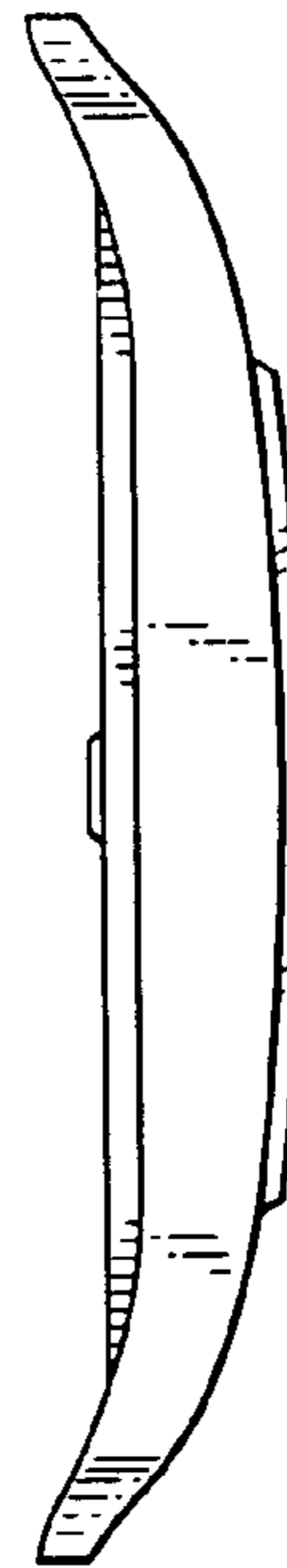


Fig. 5

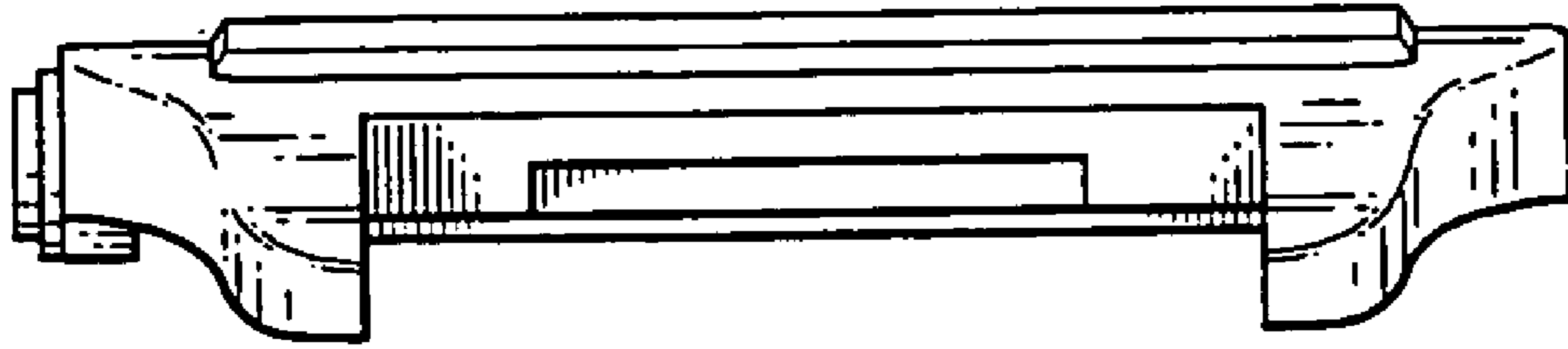


Fig. 6

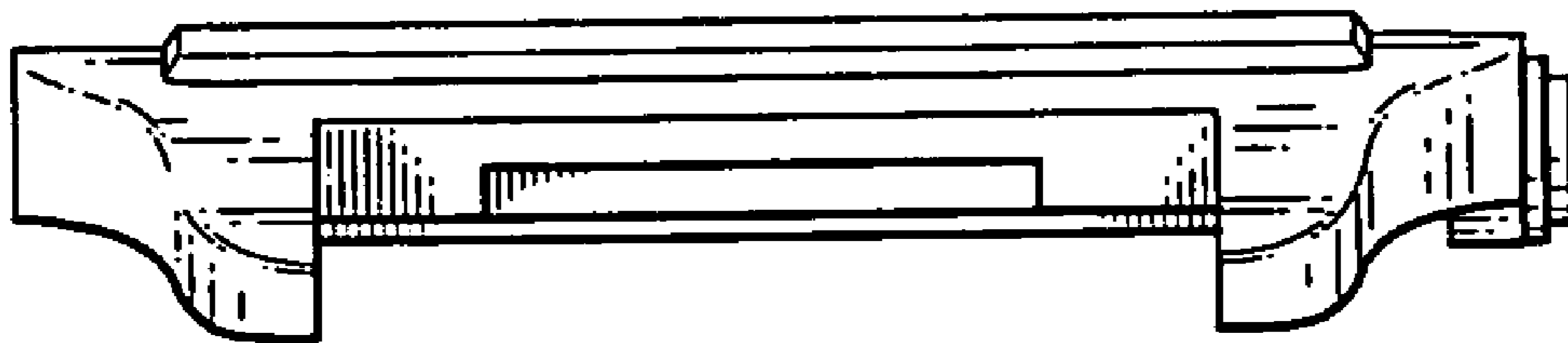


Fig. 7