

US00D546201S

(12) **United States Design Patent**
Bhavnani

(10) **Patent No.:** **US D546,201 S**

(45) **Date of Patent:** **** Jul. 10, 2007**

(54) **MULTI-PIECE DESK CLOCK**

(75) **Inventor:** **Dilip Bhavnani**, Beverly Hills, CA
(US)

(73) **Assignee:** **Sun Coast Merchandise Corporation**,
Commerce, CA (US)

(**) **Term:** **14 Years**

(21) **Appl. No.:** **29/256,083**

(22) **Filed:** **Mar. 14, 2006**

(51) **LOC (8) Cl.** **10-01**

(52) **U.S. Cl.** **D10/2; D10/15; D19/78**

(58) **Field of Classification Search** D10/1-29;
368/276-278, 285, 316, 317, 10, 41, 223,
368/28-30, 82-84, 239-242, 226; D19/75,
D19/77, 78, 85

See application file for complete search history.

(56) **References Cited**

U.S. PATENT DOCUMENTS

D201,733 S *	7/1965	Vovakes	D19/77
D226,041 S *	1/1973	Woofter	D19/85
D231,407 S *	4/1974	Leedy	D19/77
D235,137 S *	5/1975	Muir	D10/15
D245,765 S *	9/1977	Yoshida	D10/15
D246,351 S *	11/1977	Yoshida et al.	D10/15
4,121,719 A *	10/1978	Wilhelm	211/69.5
D263,124 S *	2/1982	Dennis	D10/1
D277,556 S *	2/1985	Pappas	D10/2

D304,018 S *	10/1989	Nomizu	D10/2
D311,141 S *	10/1990	Murata	D10/15
D321,484 S *	11/1991	Yu	D10/21
D331,941 S *	12/1992	Meumann	D19/77
D427,237 S *	6/2000	Chu et al.	D19/21

* cited by examiner

Primary Examiner—Lucy Lieberman

(74) *Attorney, Agent, or Firm*—The Soni Law Firm

(57) **CLAIM**

The ornamental design for a multi-piece desk clock, as shown and described.

DESCRIPTION

FIG. 1 is a top, front and right side perspective view of a multi-piece desk clock showing my new design;

FIG. 2 is a front elevational view thereof;

FIG. 3 is a top plan view thereof;

FIG. 4 is a right side elevation thereof;

FIG. 5 is a left side elevation thereof;

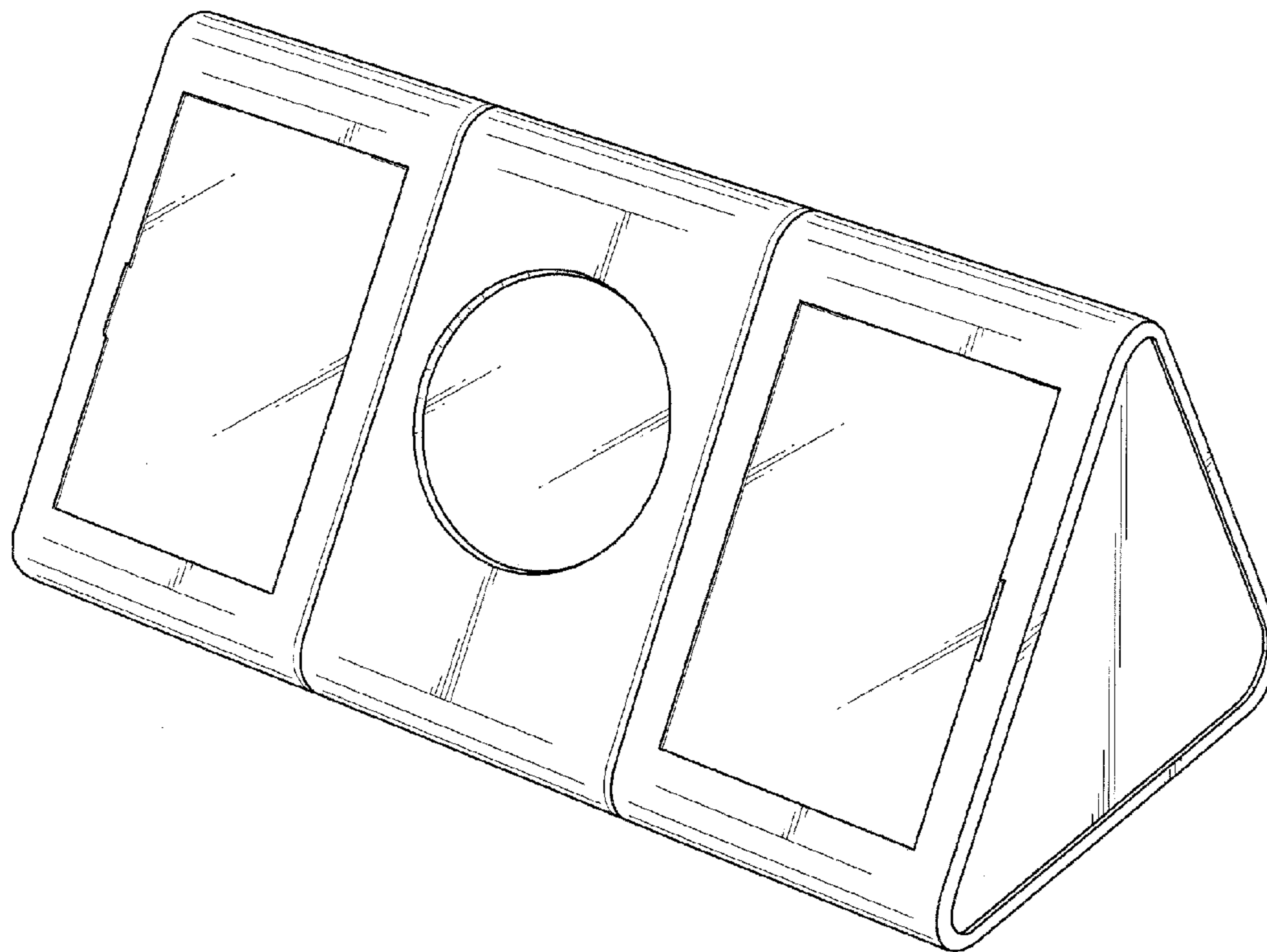
FIG. 6 is a rear elevation thereof;

FIG. 7 is a bottom plan view thereof; and,

FIG. 8 is a perspective view of the multi-piece desk clock in an alternate arrangement with the pieces shown separated.

The broken lines shown in FIG. 8 are for illustrative purposes only and do not form part of the claimed design.

1 Claim, 5 Drawing Sheets



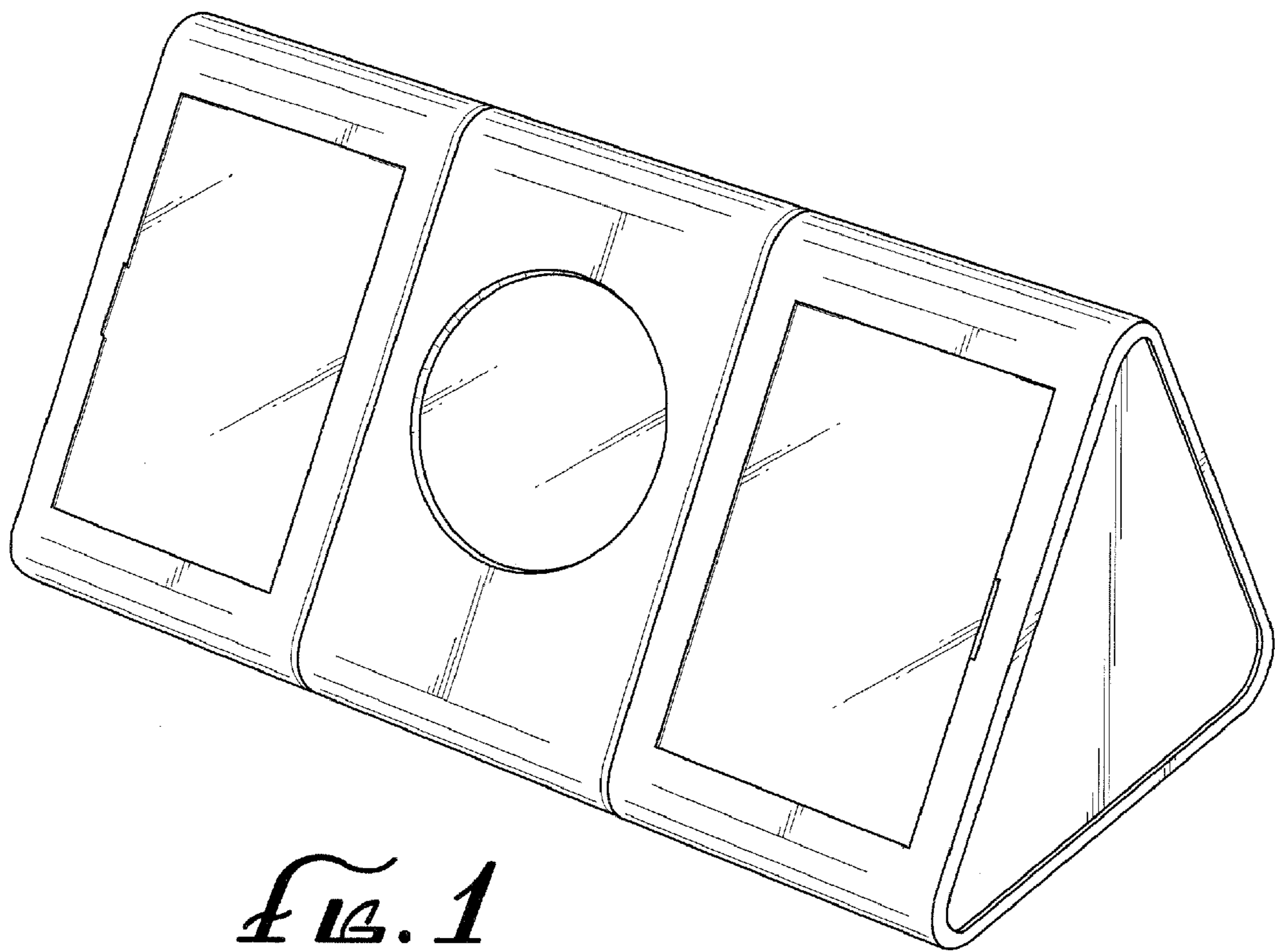


FIG. 1

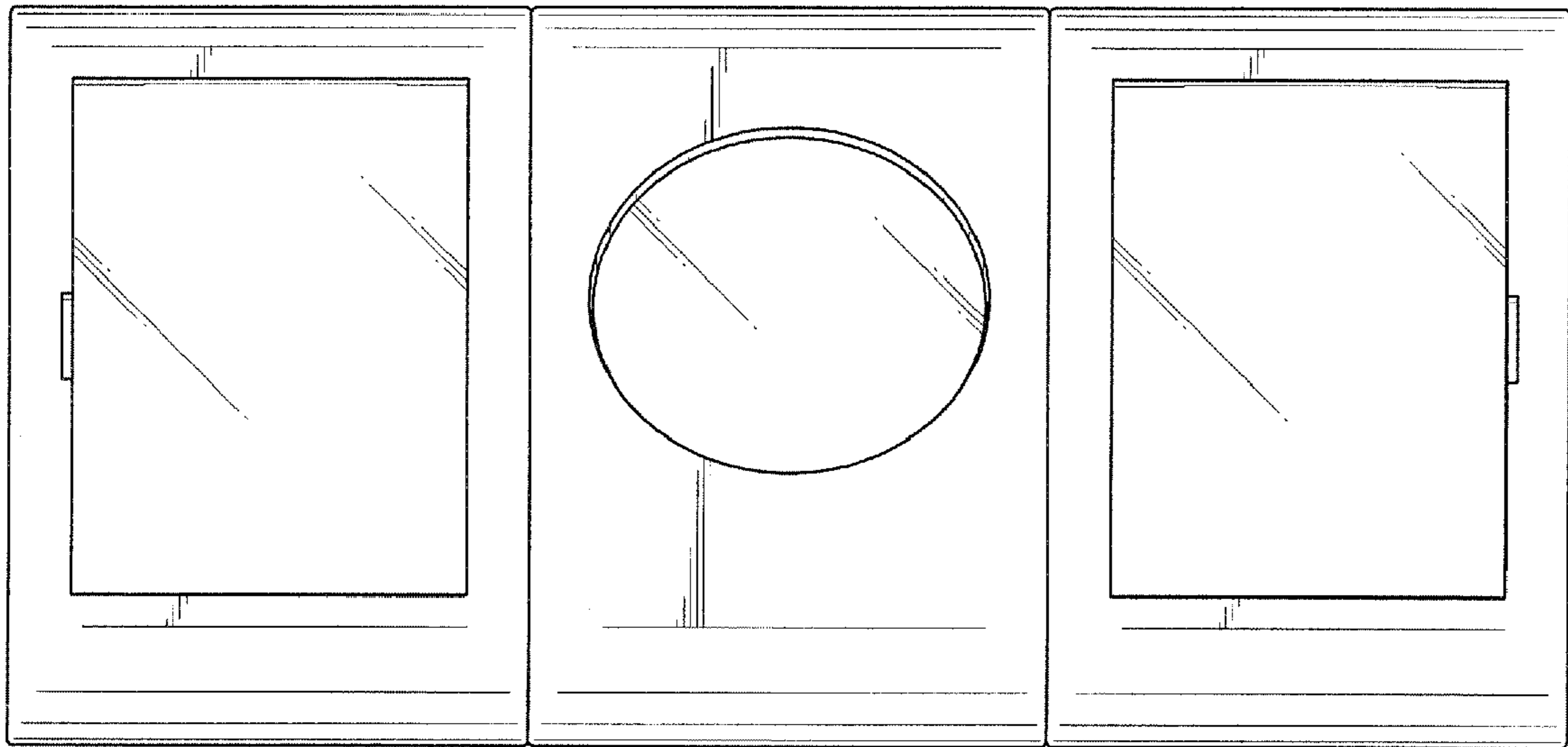


FIG. 2

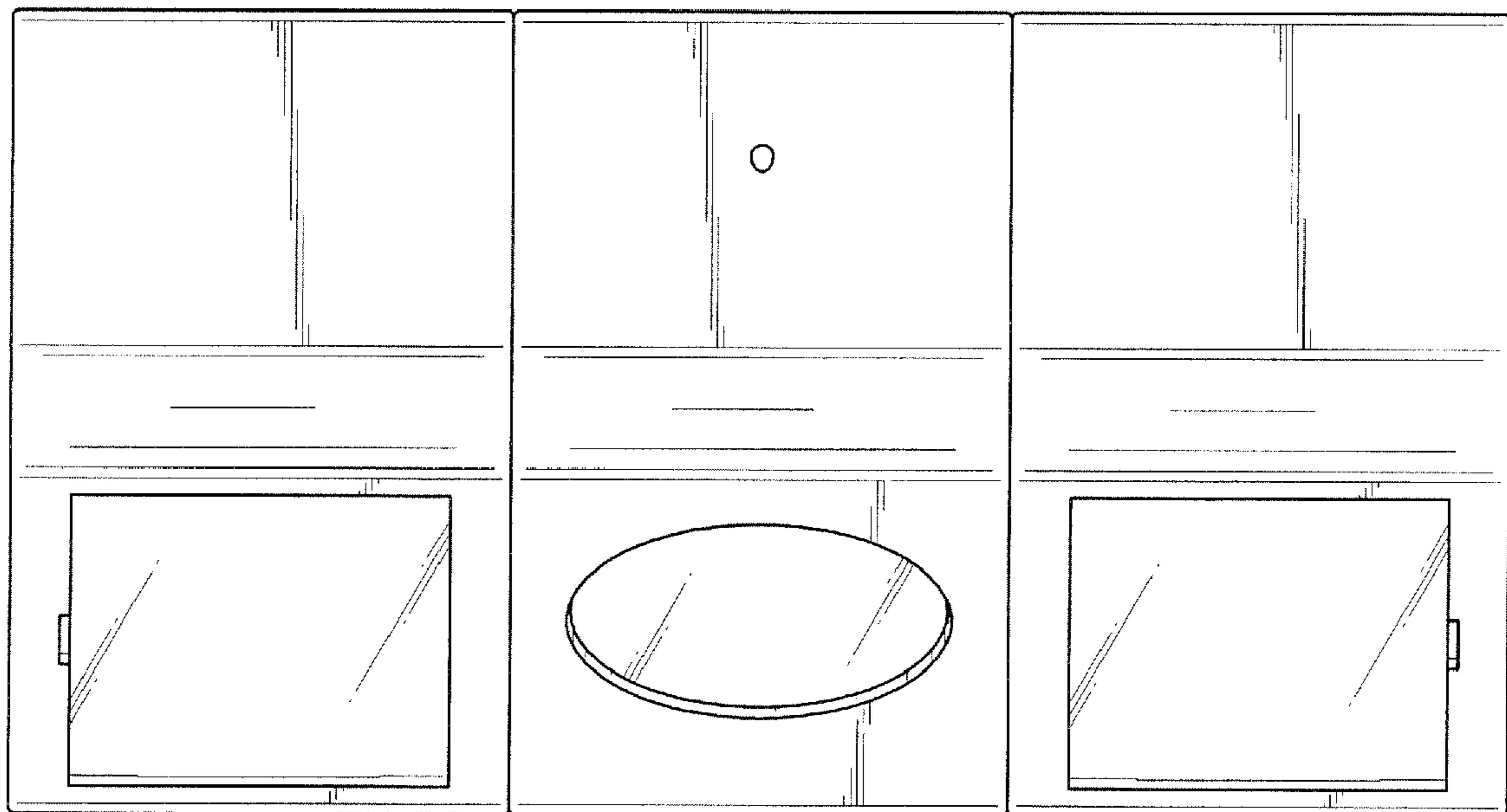


FIG. 3

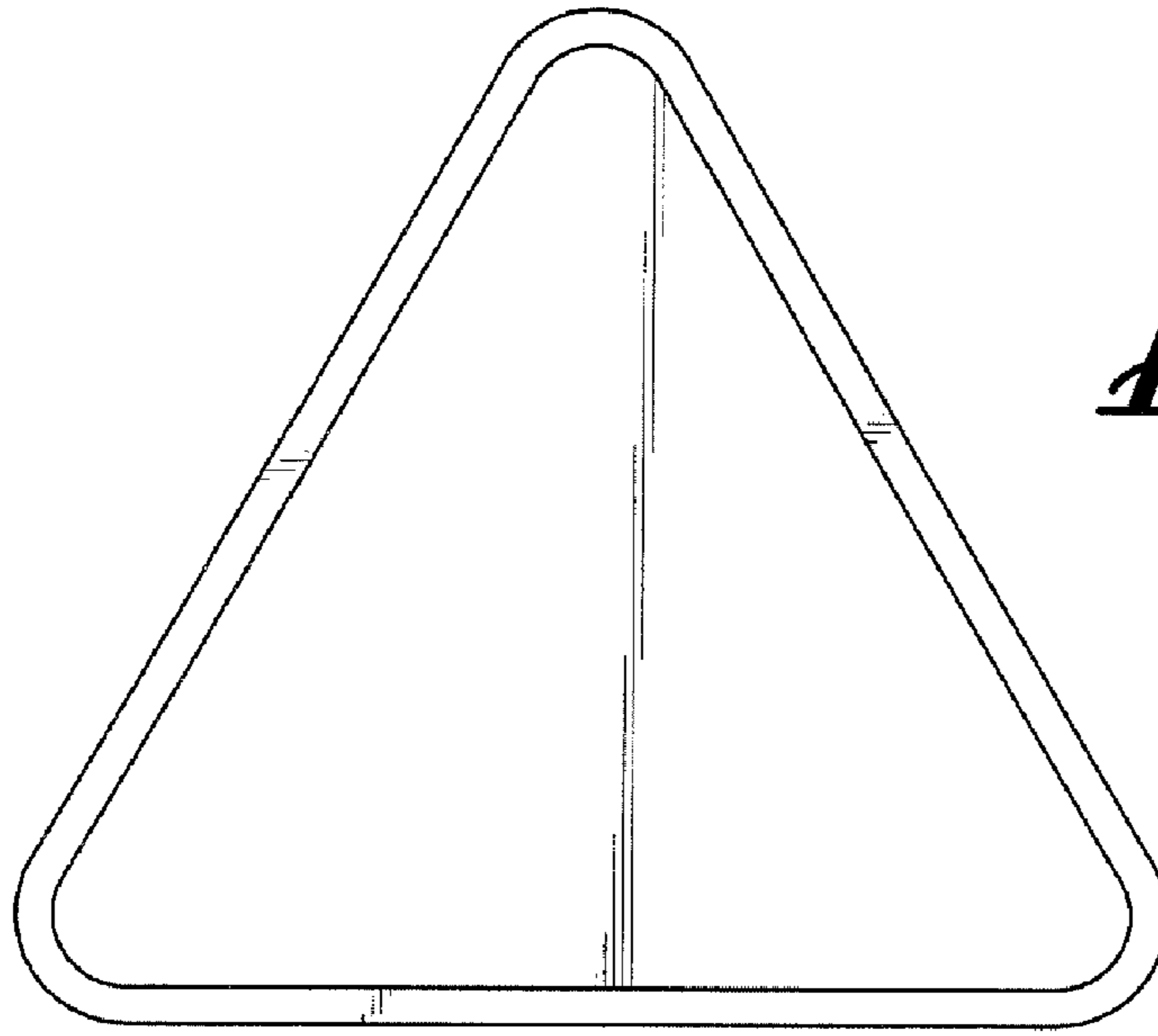


FIG. 4

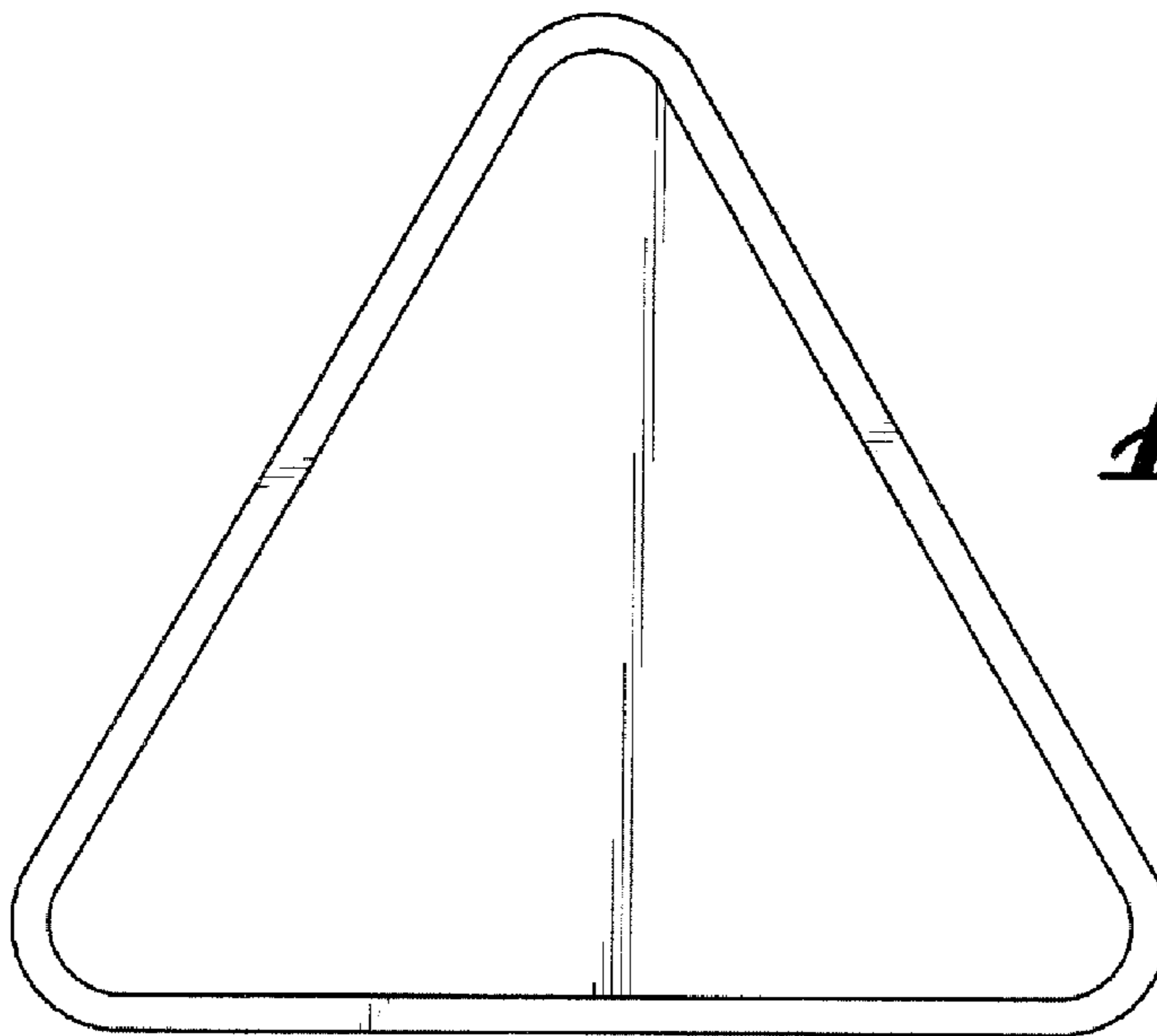


FIG. 5

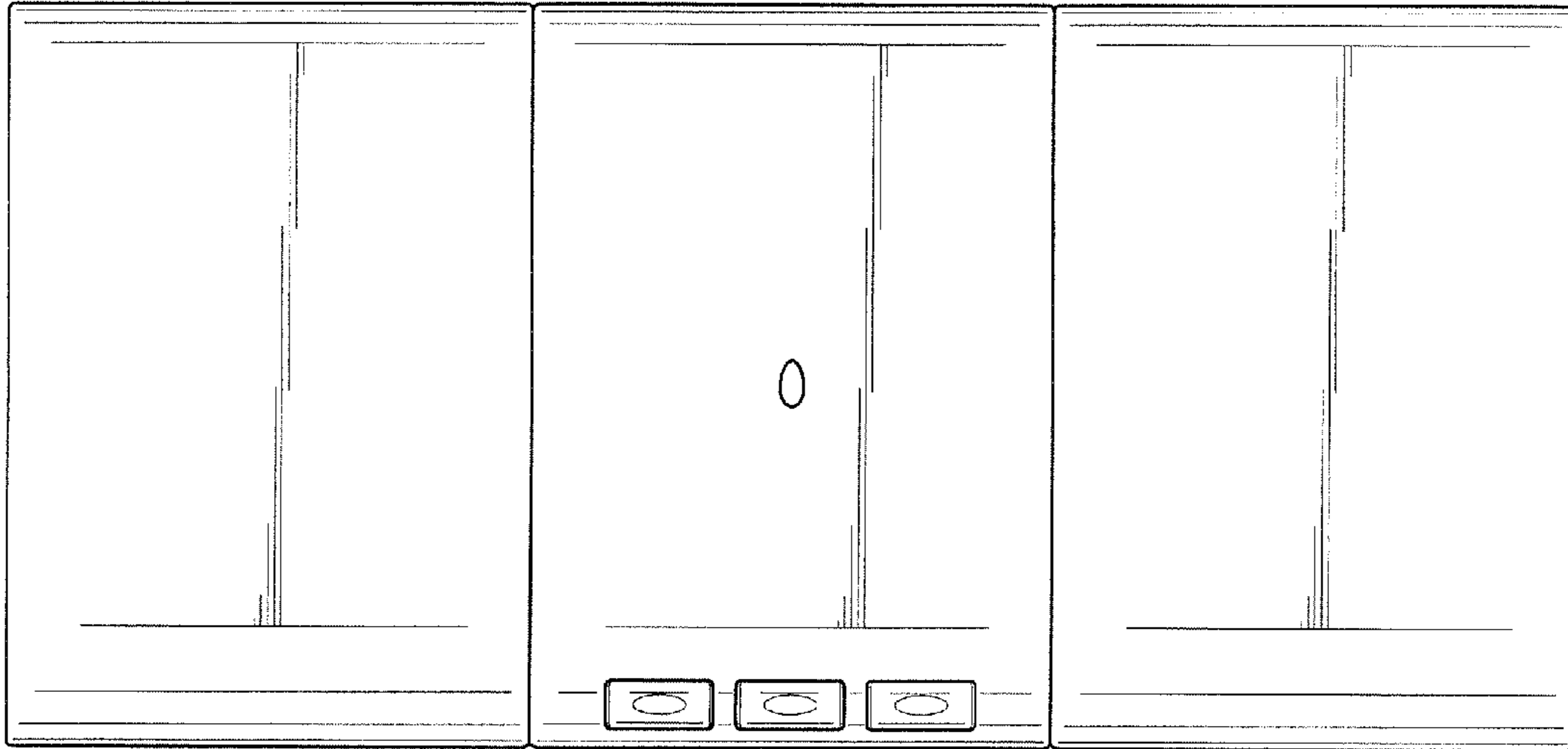


FIG. 6

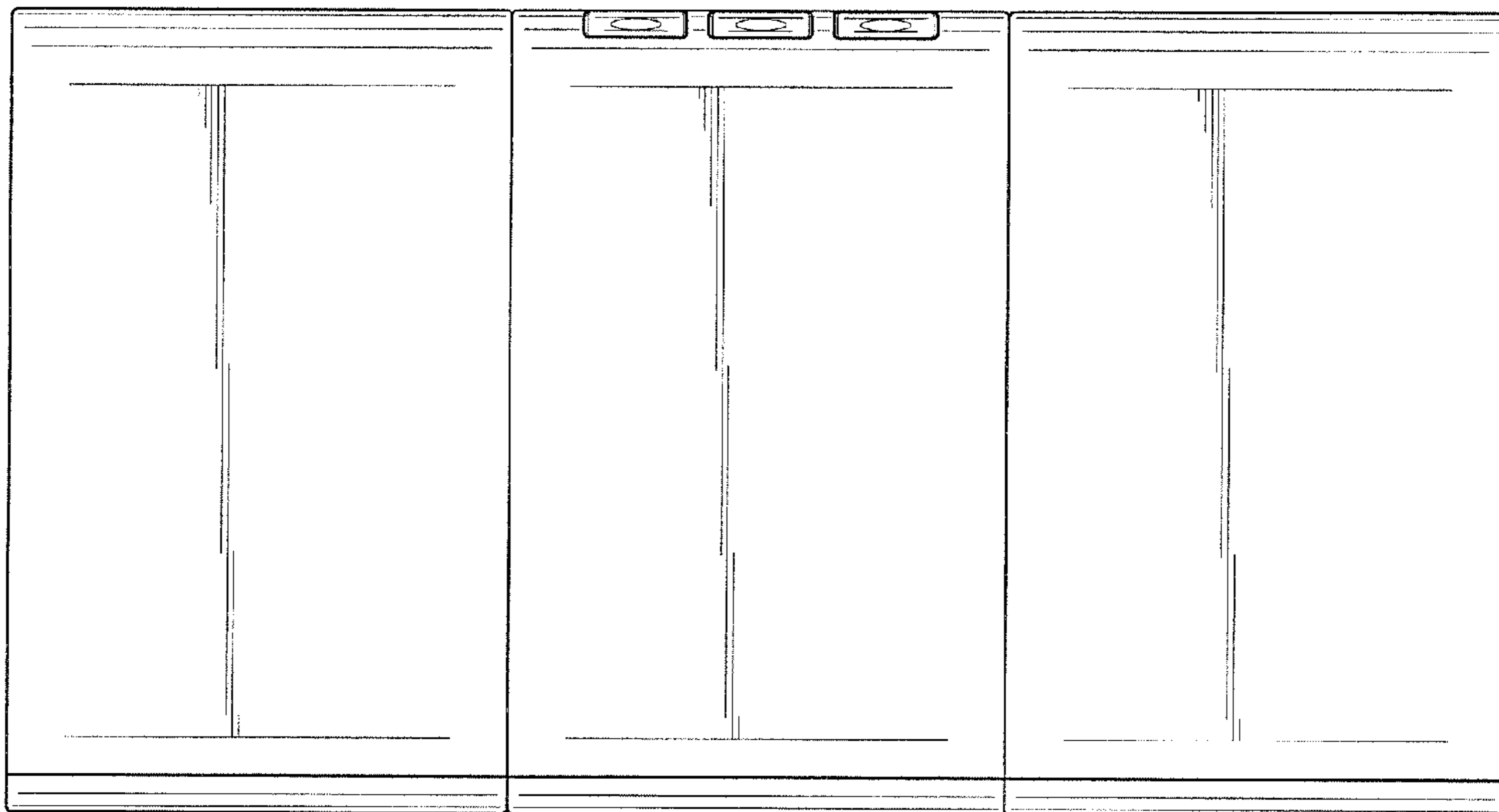


FIG. 7

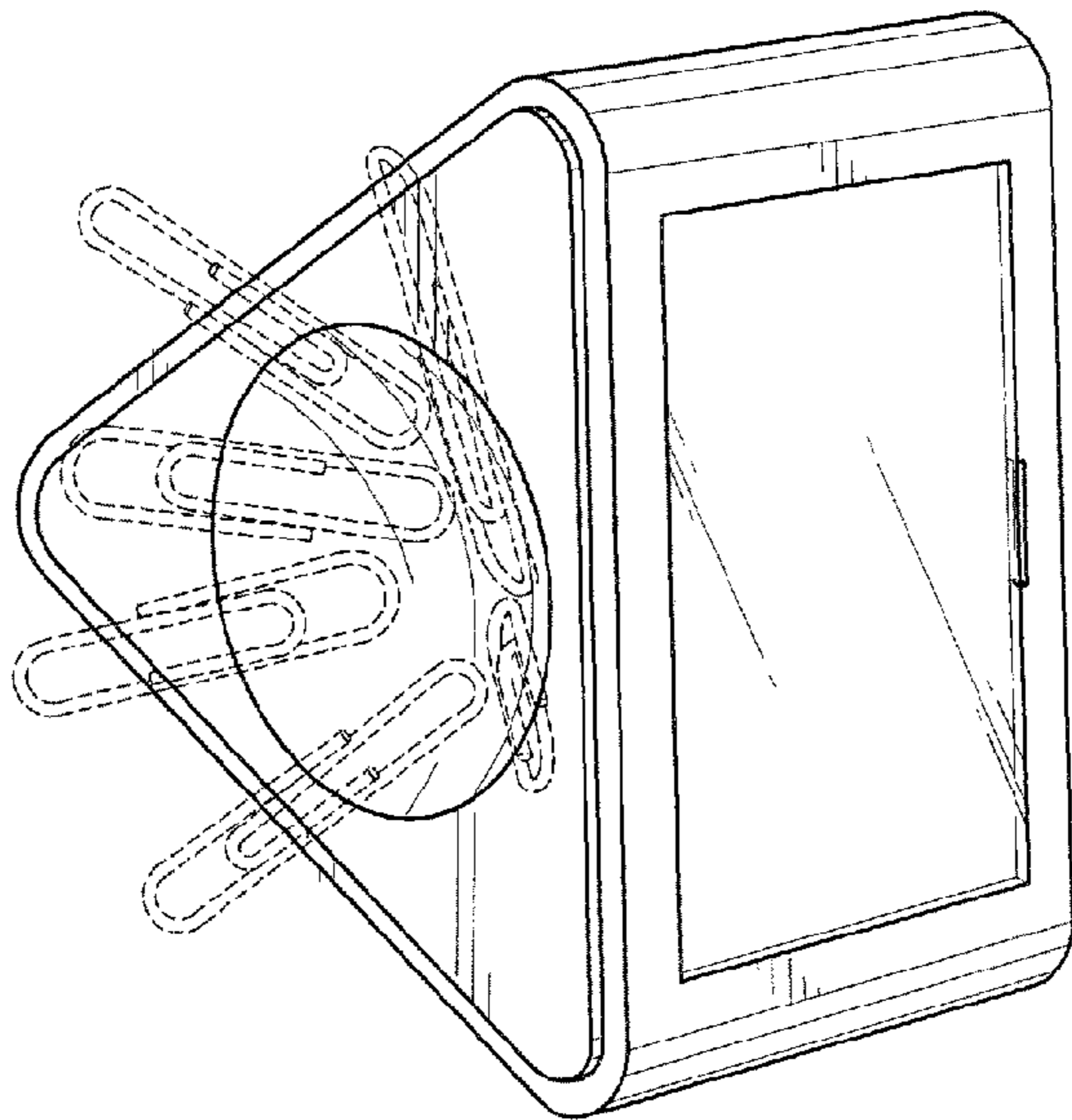
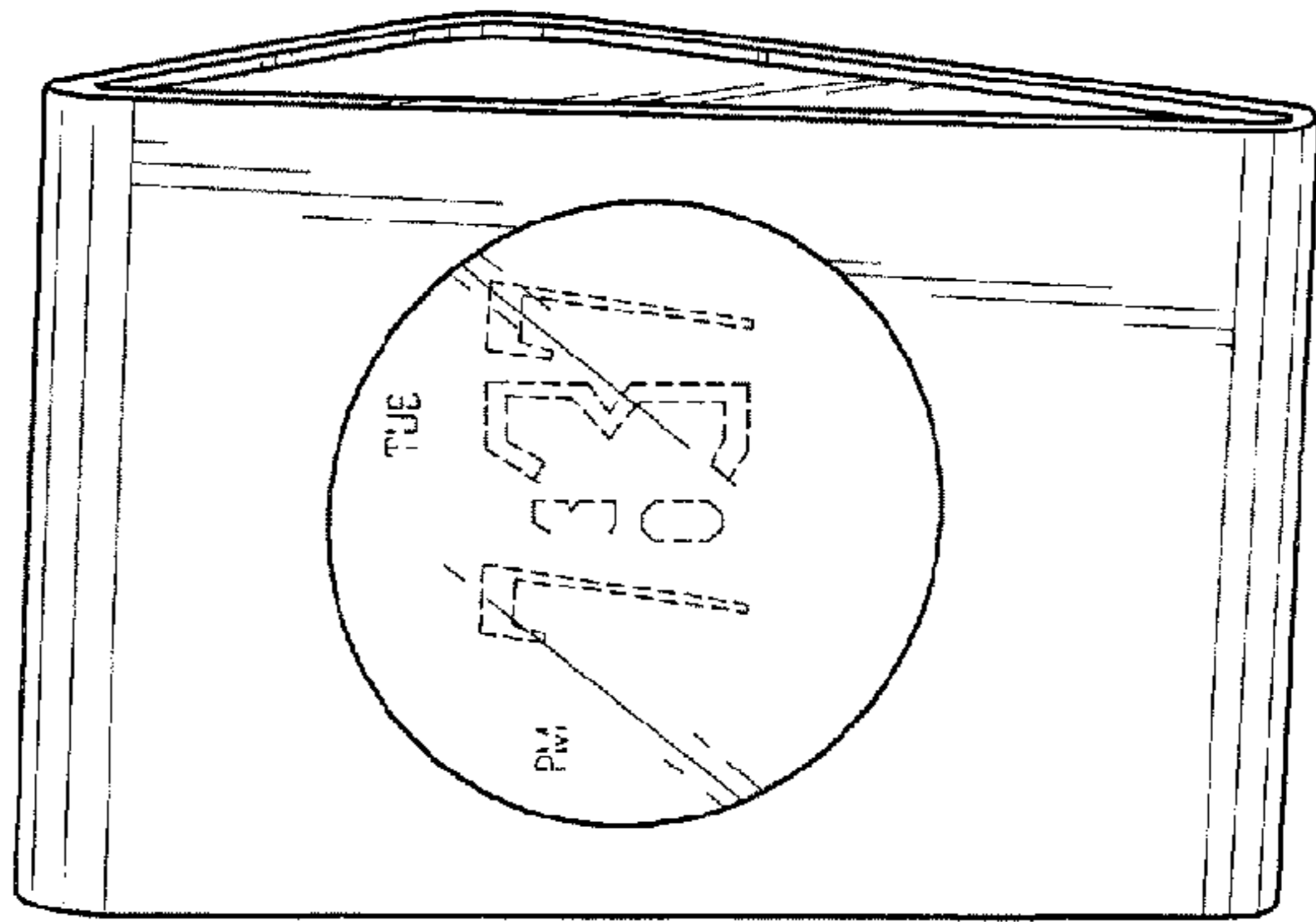
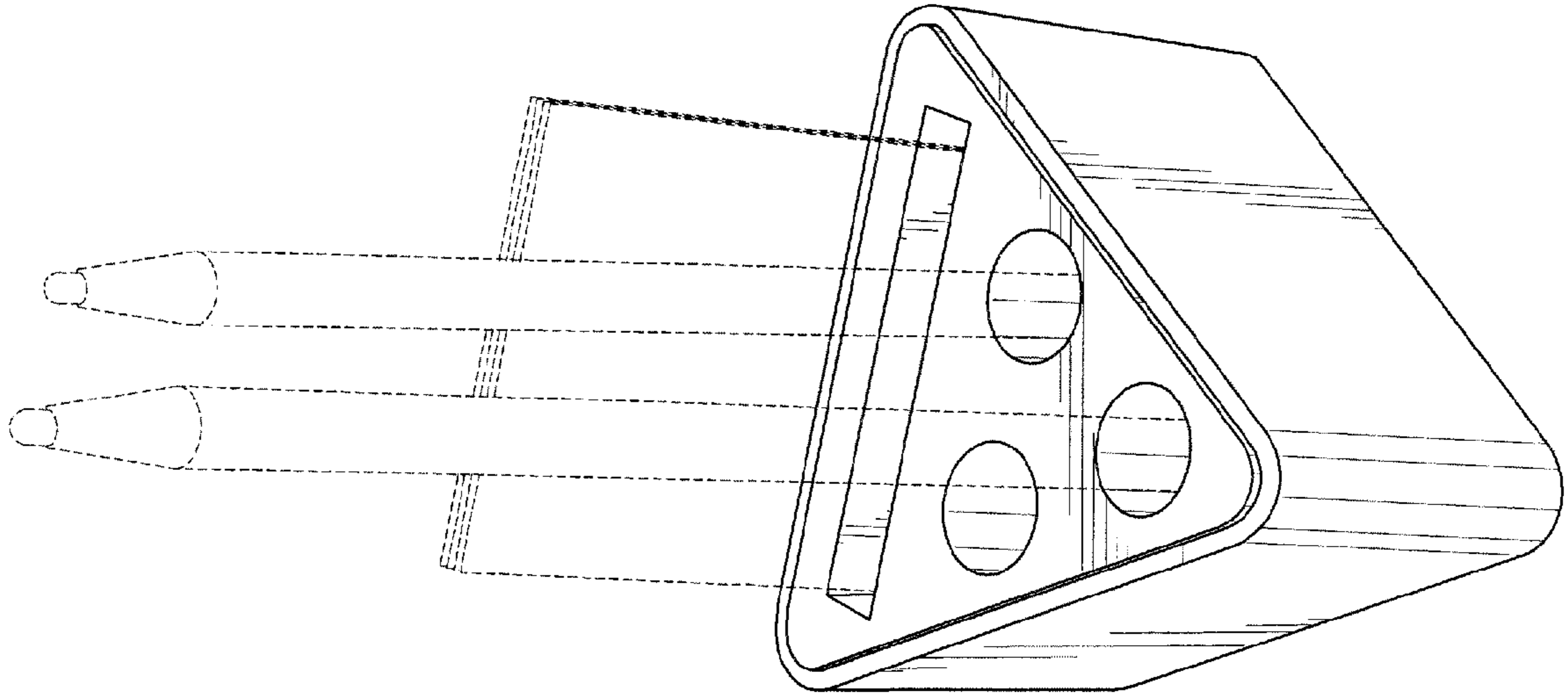


Fig. 8